



US00D373223S

# United States Patent [19]

Pernicka et al.

[11] Patent Number: **Des. 373,223**

[45] Date of Patent: **\*\*Aug. 27, 1996**

[54] **VISOR SHIELD FOR SPORTS HEADGEAR**

[75] Inventors: **Martin Pernicka**, St-François; **Paul Isabelle**, St-Augustin de Desmaures, both of Canada

[73] Assignee: **Leader Industries Inc.**, Boucherville, Canada

[\*\*] Term: **14 Years**

[21] Appl. No.: **37,890**

[22] Filed: **Apr. 24, 1995**

[52] U.S. Cl. .... **D29/110**

[58] Field of Search ..... D29/102-107, D29/109-111; 2/410, 6.31, 411, 423-425, 9, 12, 15, 426

[56] **References Cited**

**U.S. PATENT DOCUMENTS**

- D. 214,013 5/1969 Jones ..... D29/110
- D. 227,819 7/1973 Kotzar ..... D29/110
- D. 228,700 10/1973 Gager, Jr. .... D29/110

- D. 240,093 6/1976 Meadows ..... D29/110
- D. 254,638 4/1980 Bay, Jr. .... D29/110
- D. 288,980 3/1987 Dernicka ..... D29/110
- D. 291,256 8/1987 Hollander ..... D29/110
- D. 351,929 10/1994 Chiasson ..... D29/111
- D. 360,488 7/1995 Cardinal ..... D29/111
- 5,412,814 5/1995 Pernicka et al. .... 2/424

*Primary Examiner*—Ruth McInroy  
*Attorney, Agent, or Firm*—Jean H. Dubuc

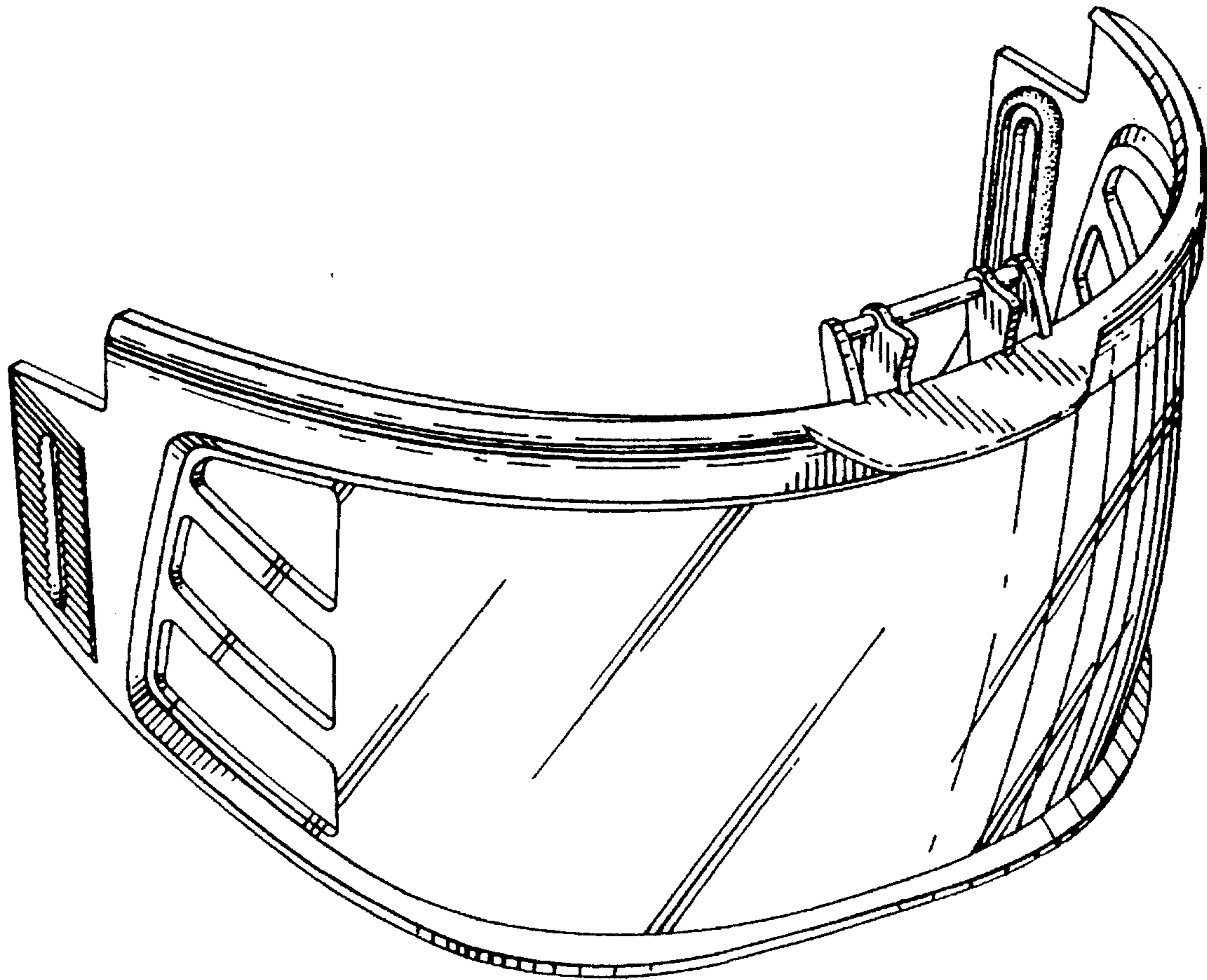
[57] **CLAIM**

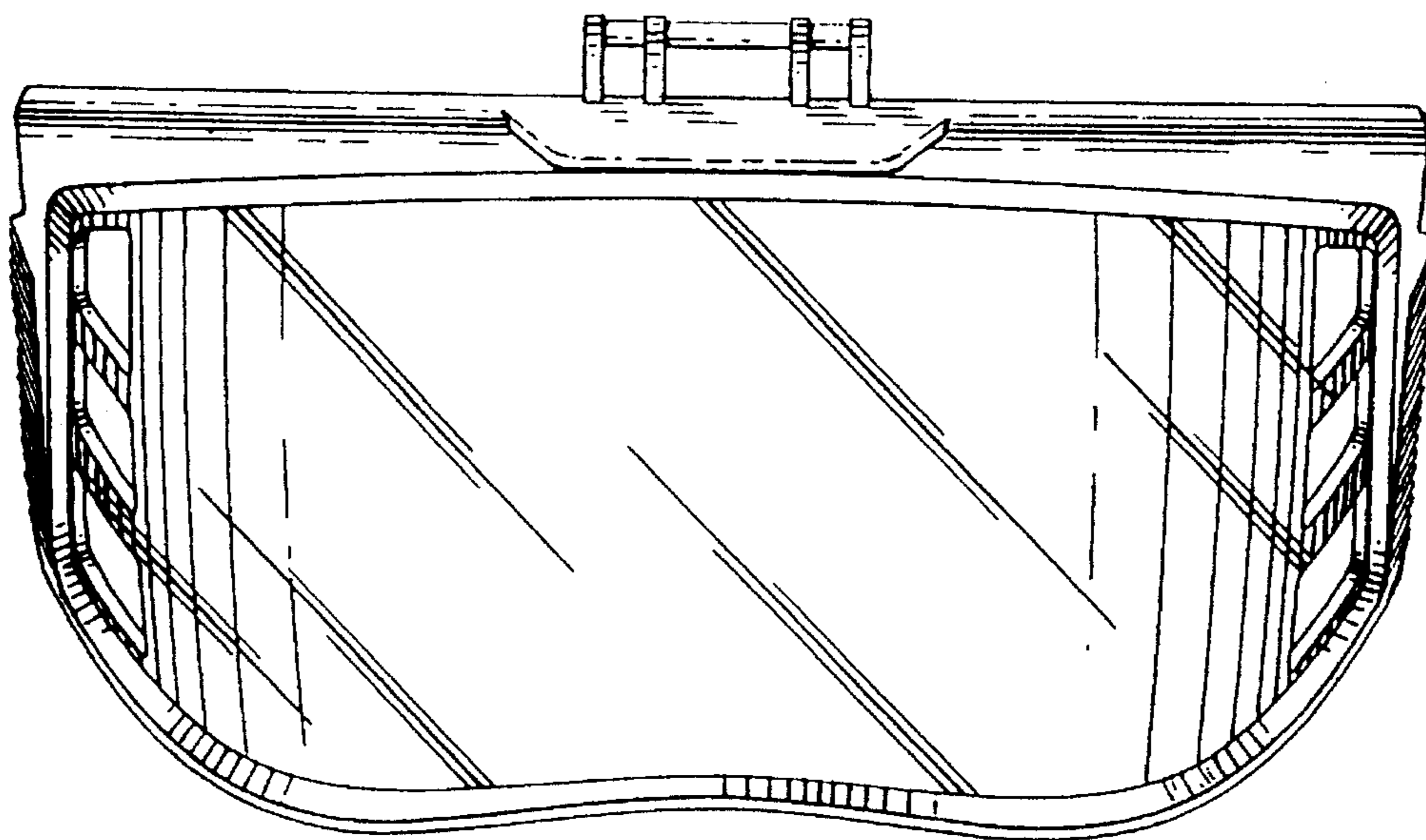
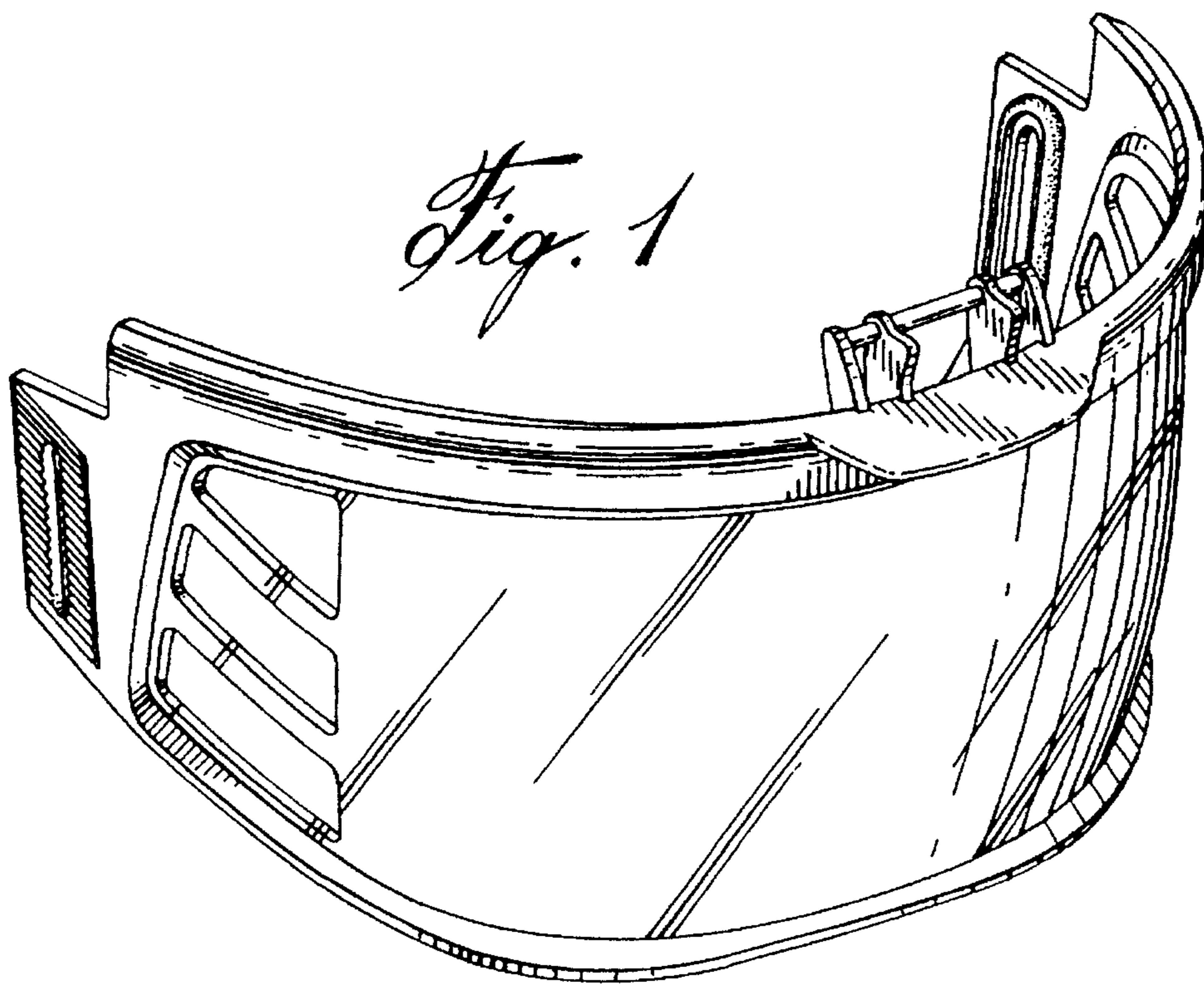
The ornamental design for a visor shield for sports headgear, as shown and described.

**DESCRIPTION**

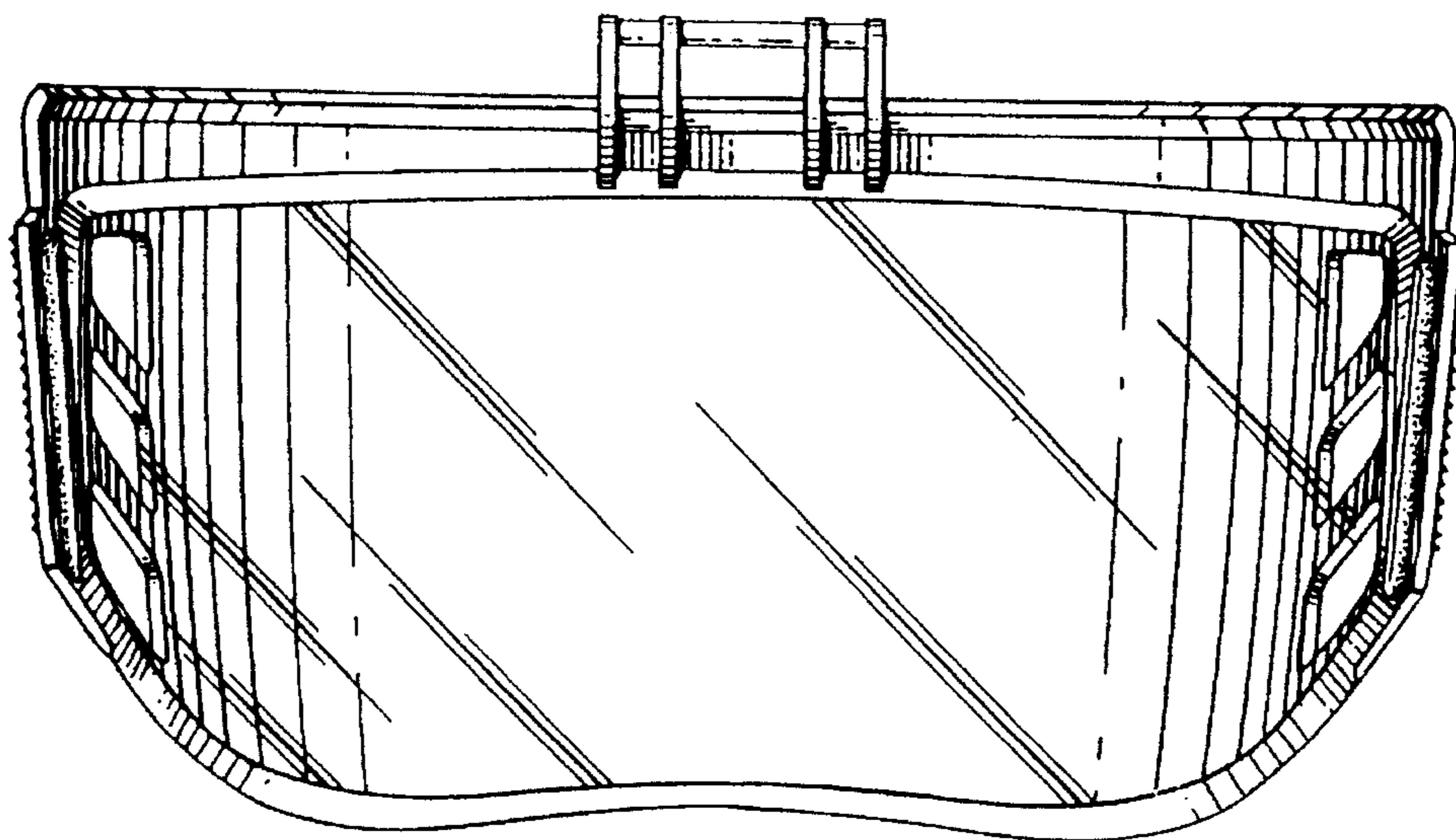
FIG. 1 is a top perspective view of a visor shield for sports headgear showing our new design; FIG. 2 is a front elevation thereof; FIG. 3 is a rear elevation thereof; FIG. 4 is a top view thereof; FIG. 5 is a bottom view thereof; and, FIG. 6 is a side elevation thereof.

**1 Claim, 3 Drawing Sheets**

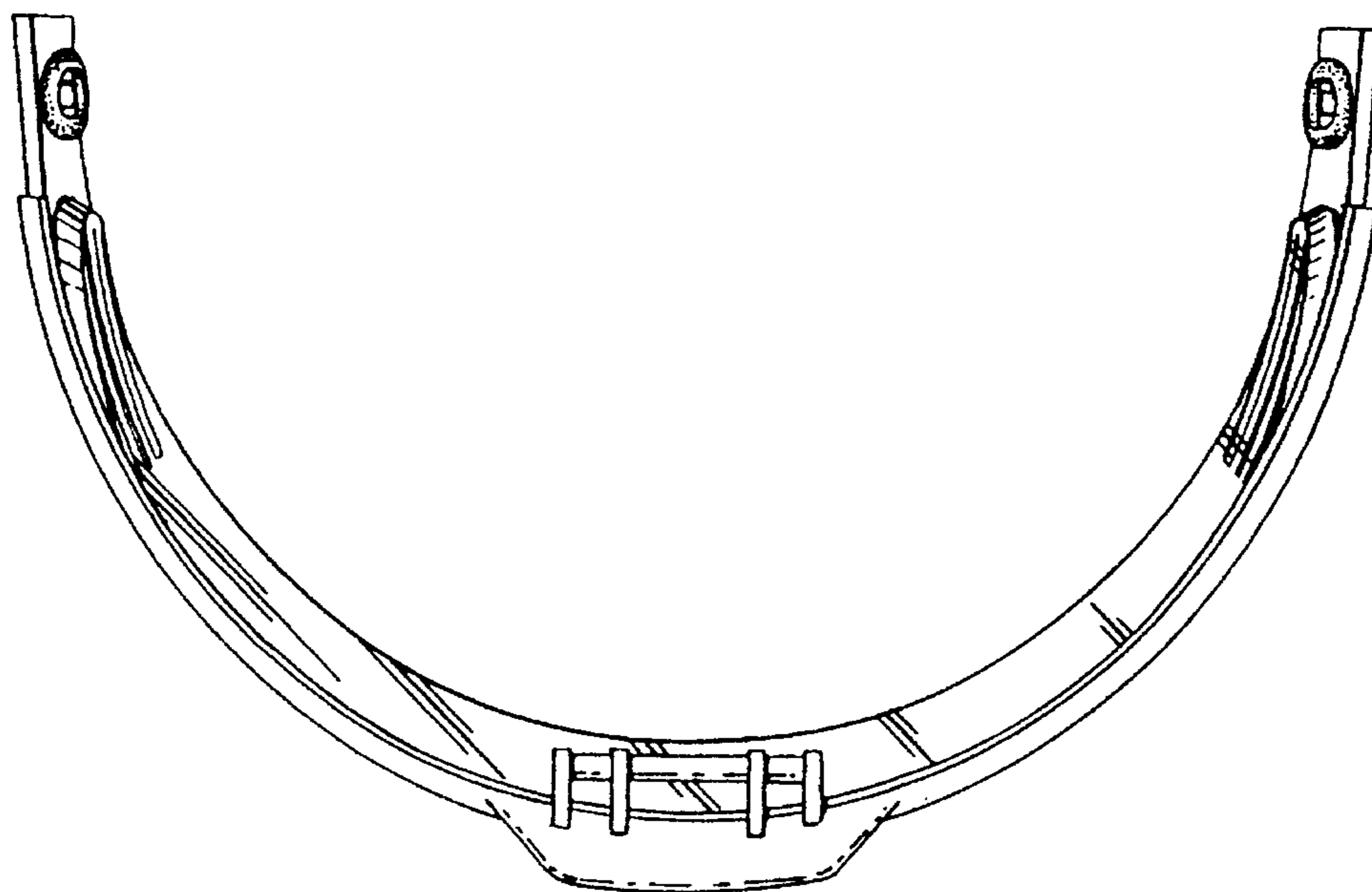




*Fig. 2*

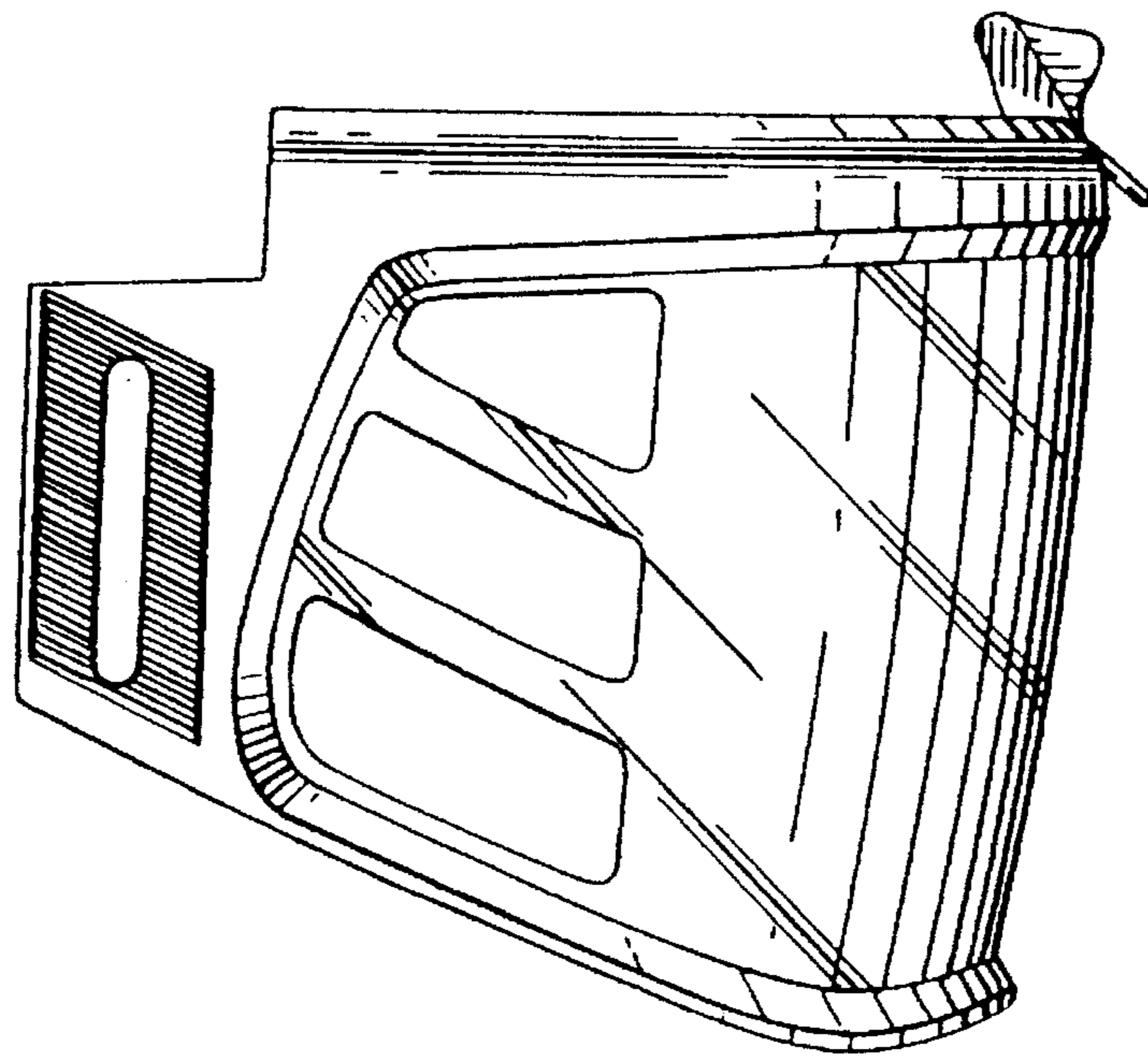
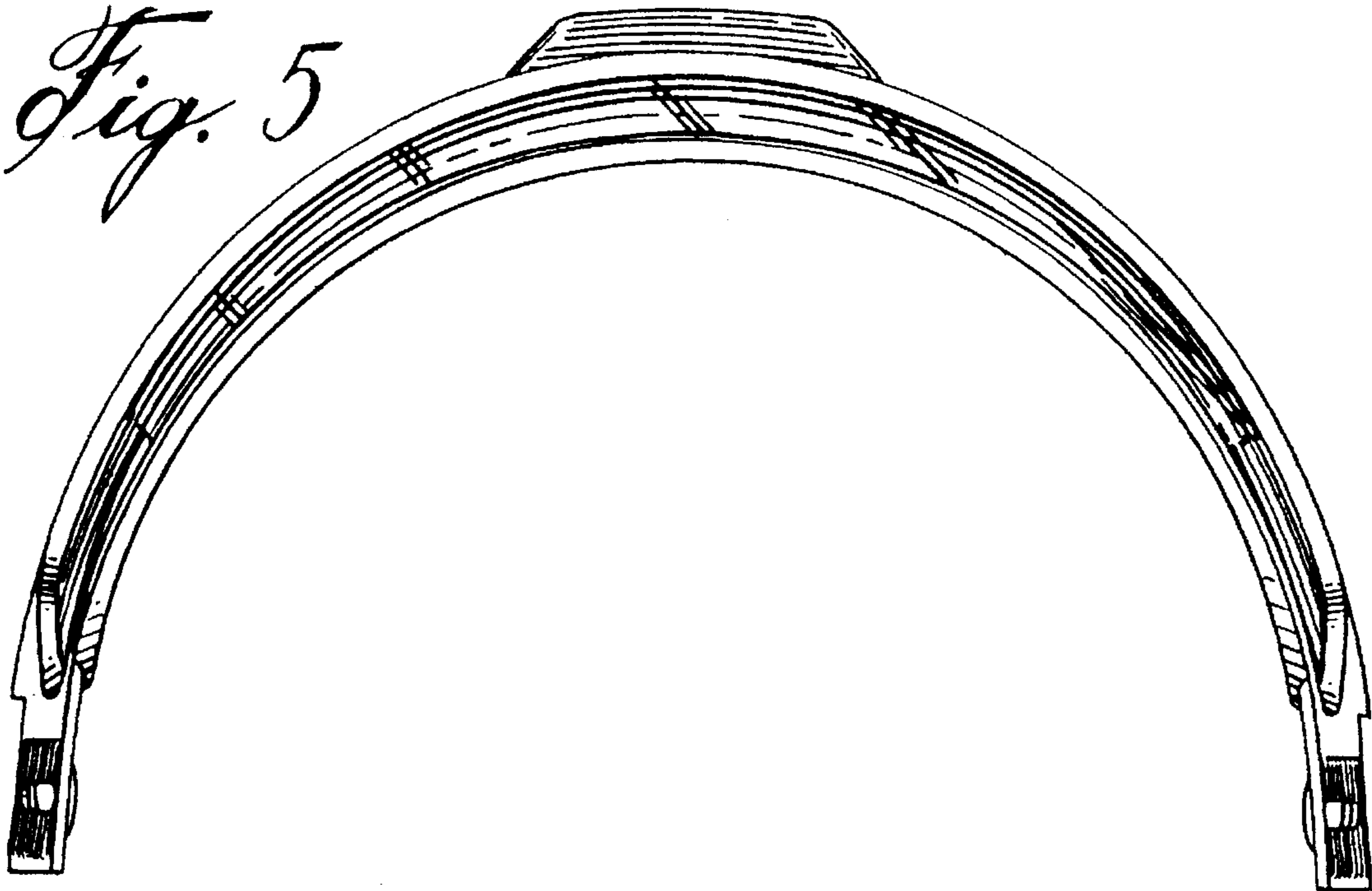


*Fig. 3*



*Fig. 4*

*Fig. 5*



*Fig. 6*