



US00D373221S

United States Patent [19]
Lai

[11] **Patent Number: Des. 373,221**

[45] **Date of Patent: **Aug. 27, 1996**

[54] **COSMETIC KIT**

[76] Inventor: **Chin C. Lai**, No. 21 PuTing Road,
Shinchu Shiang, Taiwan

[**] Term: **14 Years**

[21] Appl. No.: **38,678**

[22] Filed: **May 10, 1995**

[52] U.S. Cl. **D28/83**

[58] **Field of Search** D28/77-83; D9/341,
D9/347, 420, 423; D3/205, 294-296, 901;
132/293, 294, 297, 300-304, 314-316;
206/235, 581, 823; 220/DIG. 26, 503, 525

[56] **References Cited**

U.S. PATENT DOCUMENTS

D. 142,340	8/1945	Botham	D28/78
D. 268,292	3/1983	Chevassus	D28/83
D. 316,763	5/1991	Ferrari	D28/83
D. 321,415	11/1991	Chen	D28/76 X
D. 322,865	12/1991	Fayre	D28/76 X
D. 349,977	8/1994	Shen	D28/78

OTHER PUBLICATIONS

"Harper's Bazaar" Nov. 1985, p. 127: Pupa compact.
"Vogue" Apr. 1987, page unknown: Compact in lower left
corner of page.

"Hong Kong Enterprises" Oct. 1989, p. 372: Item No. T-85
on lower right.

"Hong Kong Enterprises" Jun. 1994, p. 737: Item Nos. 9301
and 9304.

"Beauty Boutique" Spring 1994, p. 77: Elizabeth Arden
Colourworks Kit.

Primary Examiner—B. J. Bullock

Assistant Examiner—C. Tuttle

Attorney, Agent, or Firm—Raymond Y. Chan

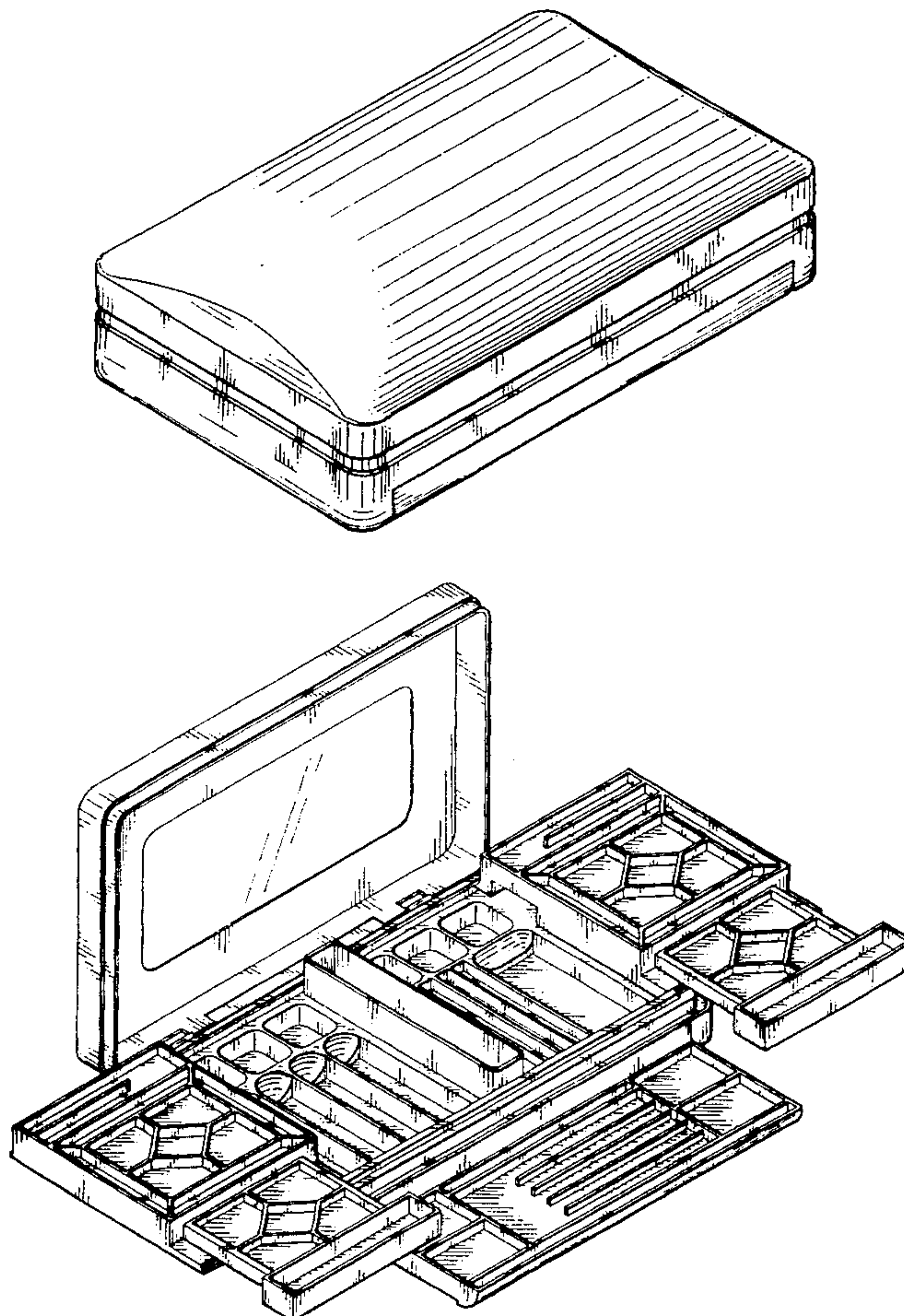
[57] **CLAIM**

The ornamental design for a cosmetic kit, as shown and
described.

DESCRIPTION

FIG. 1 is a front view showing my new design;
FIG. 2 is a rear view thereof;
FIG. 3 is a left end view thereof;
FIG. 4 is a right end view thereof;
FIG. 5 is a top view thereof;
FIG. 6 is a bottom view thereof;
FIG. 7 is a perspective view thereof;
FIG. 8 is a perspective view shown in an open condition;
and,
FIG. 9 is a top view thereof.

1 Claim, 6 Drawing Sheets



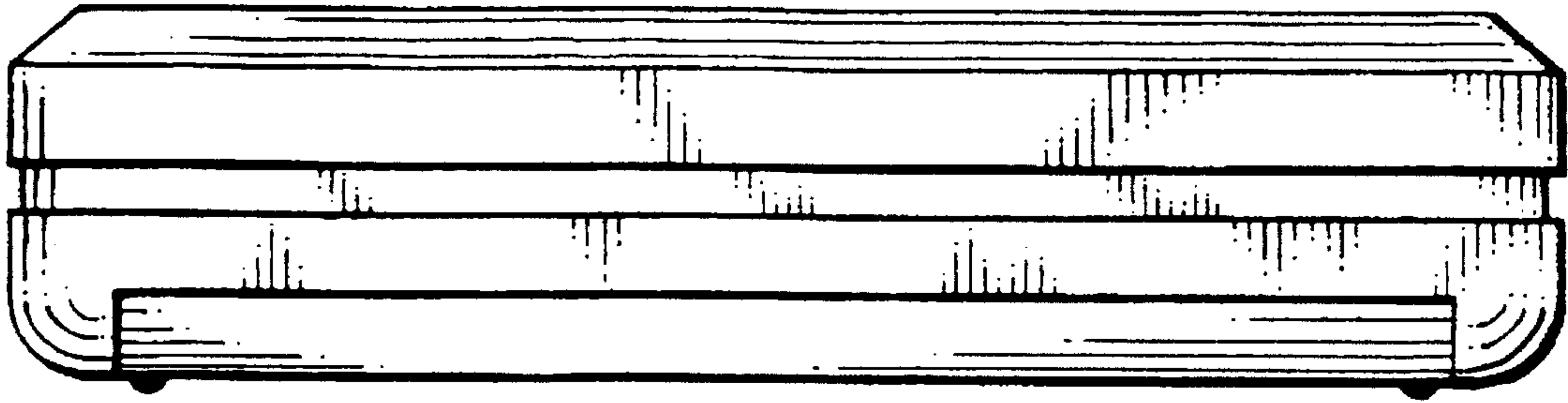


Fig. 1

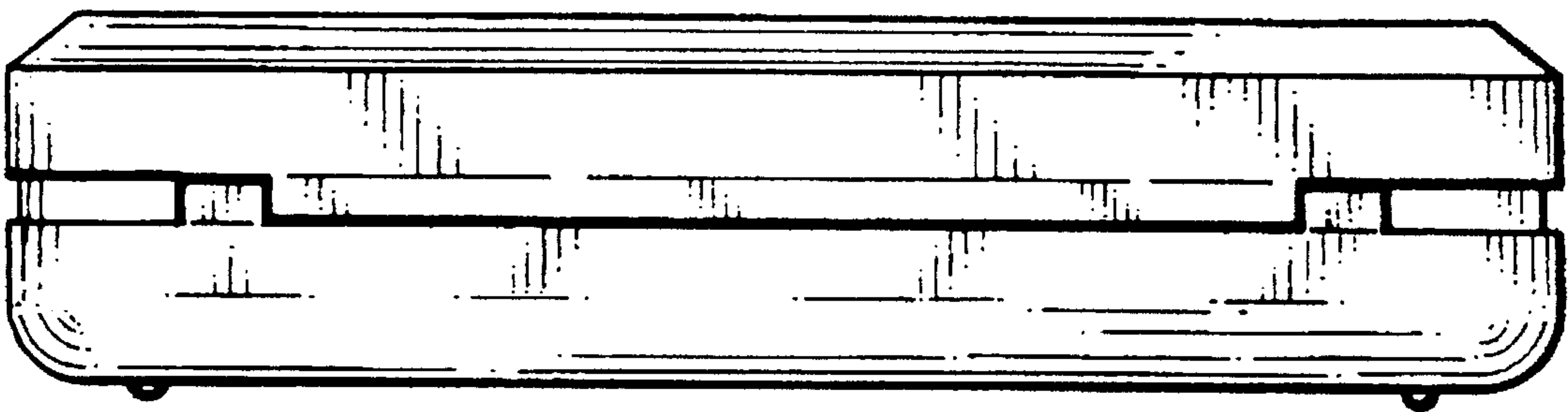


Fig. 2

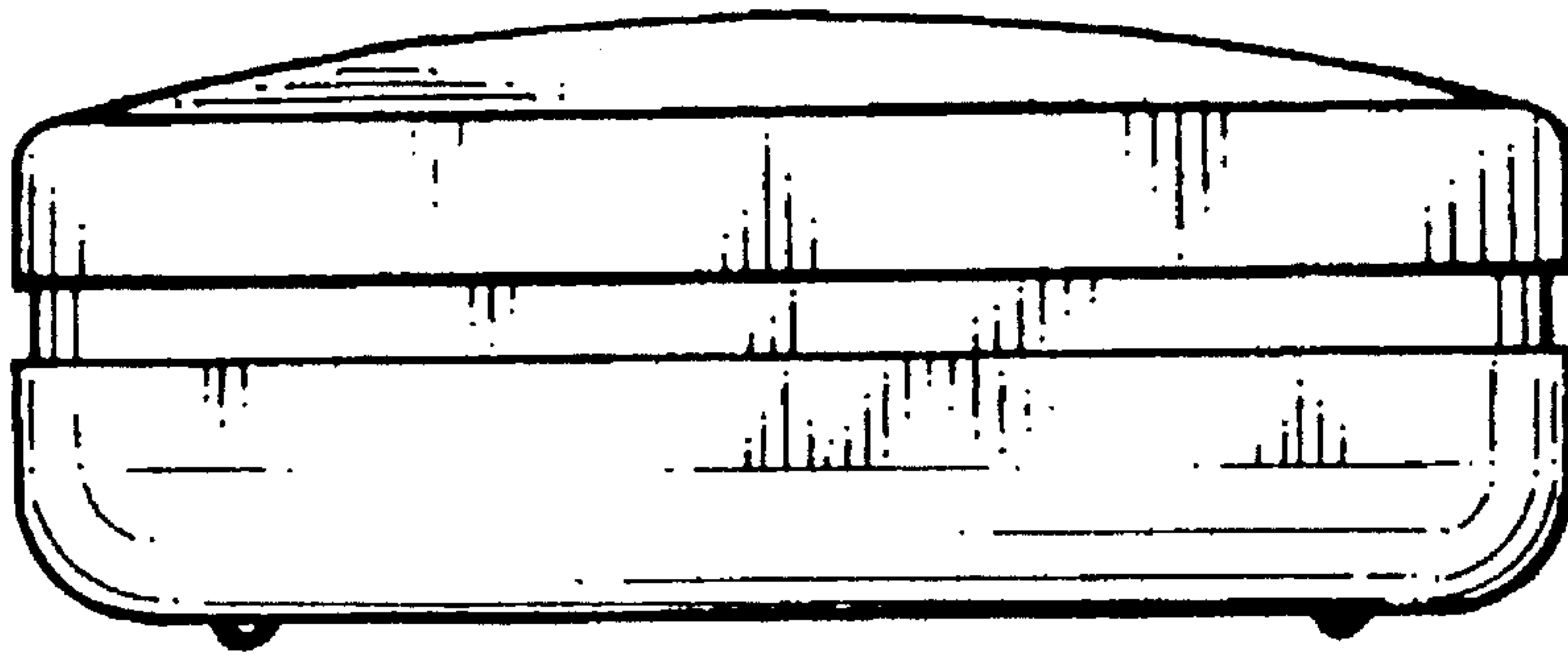


Fig. 3

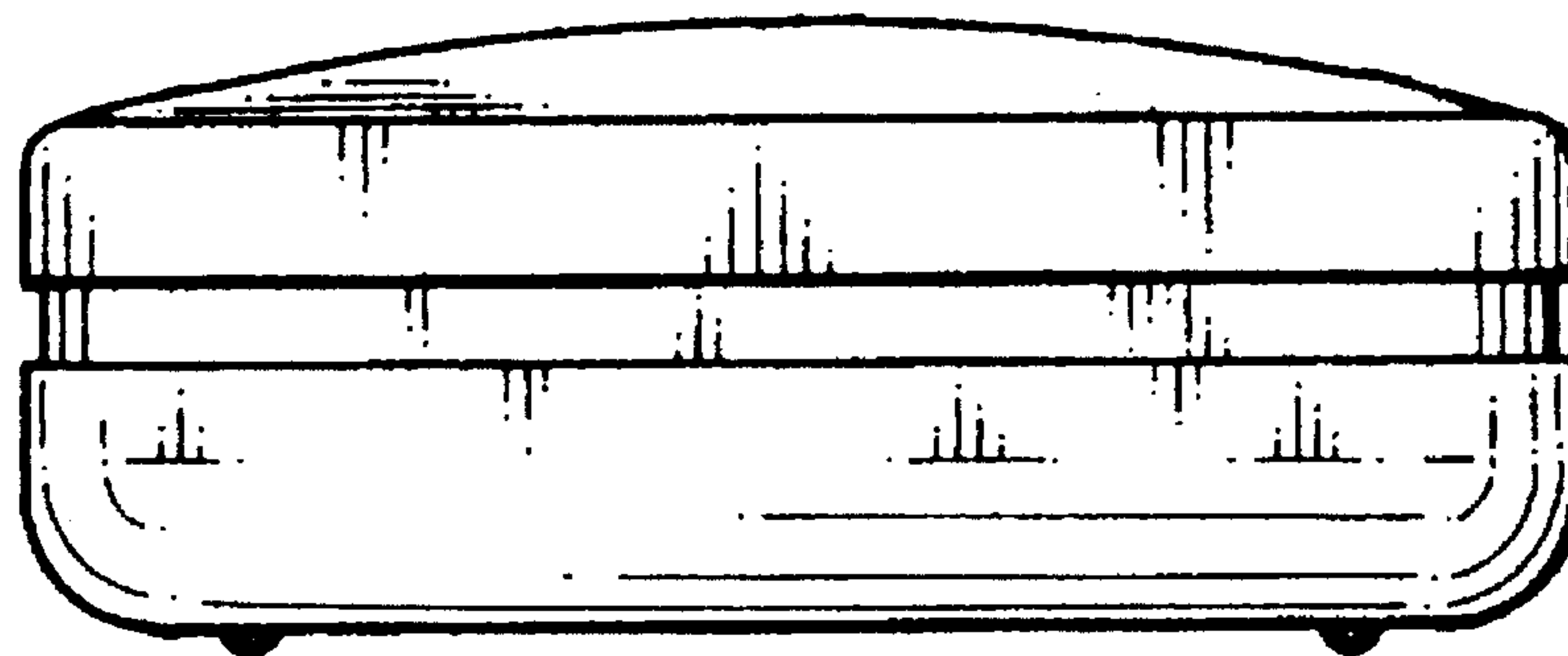


Fig. 4

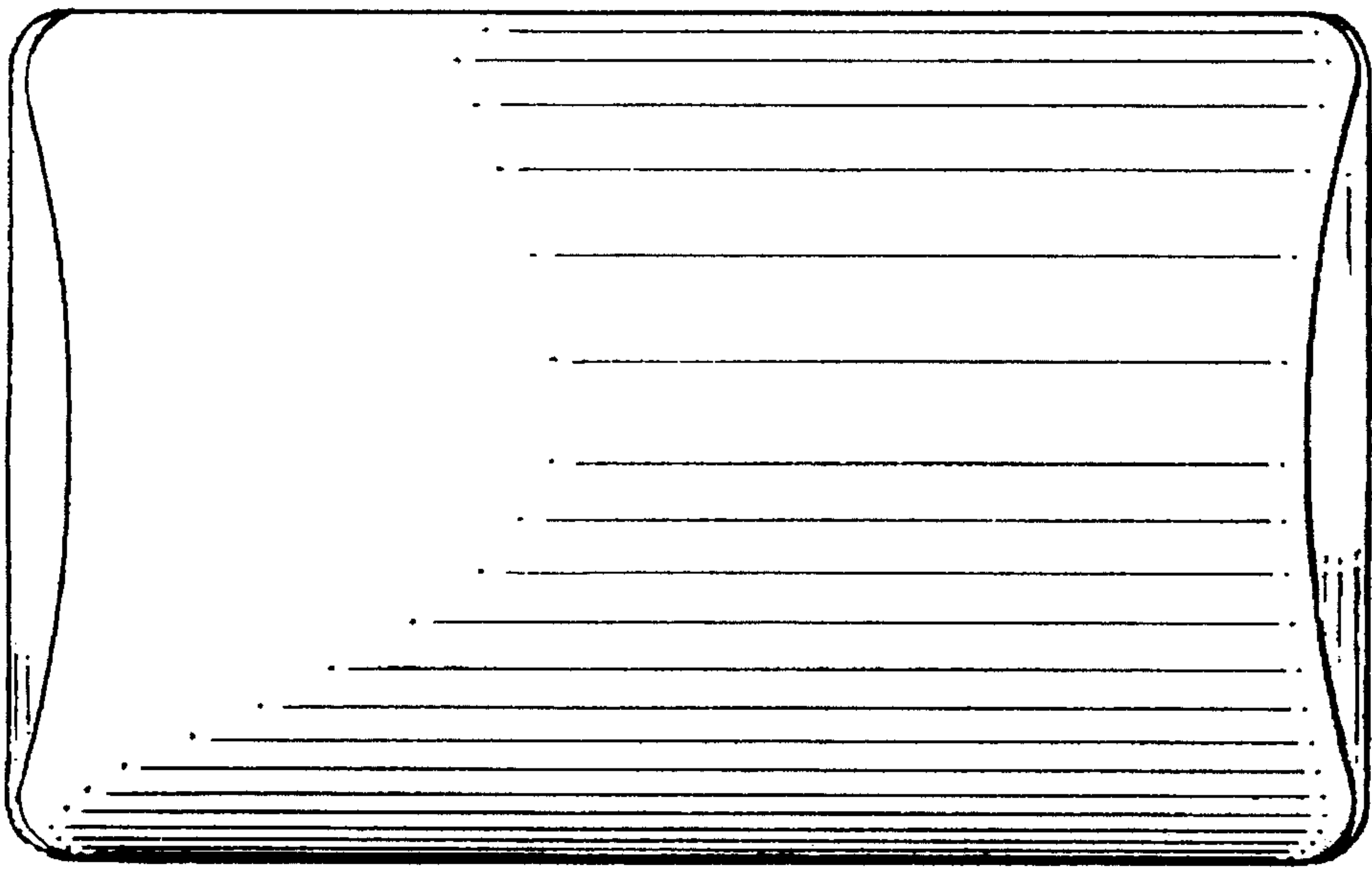


Fig. 5

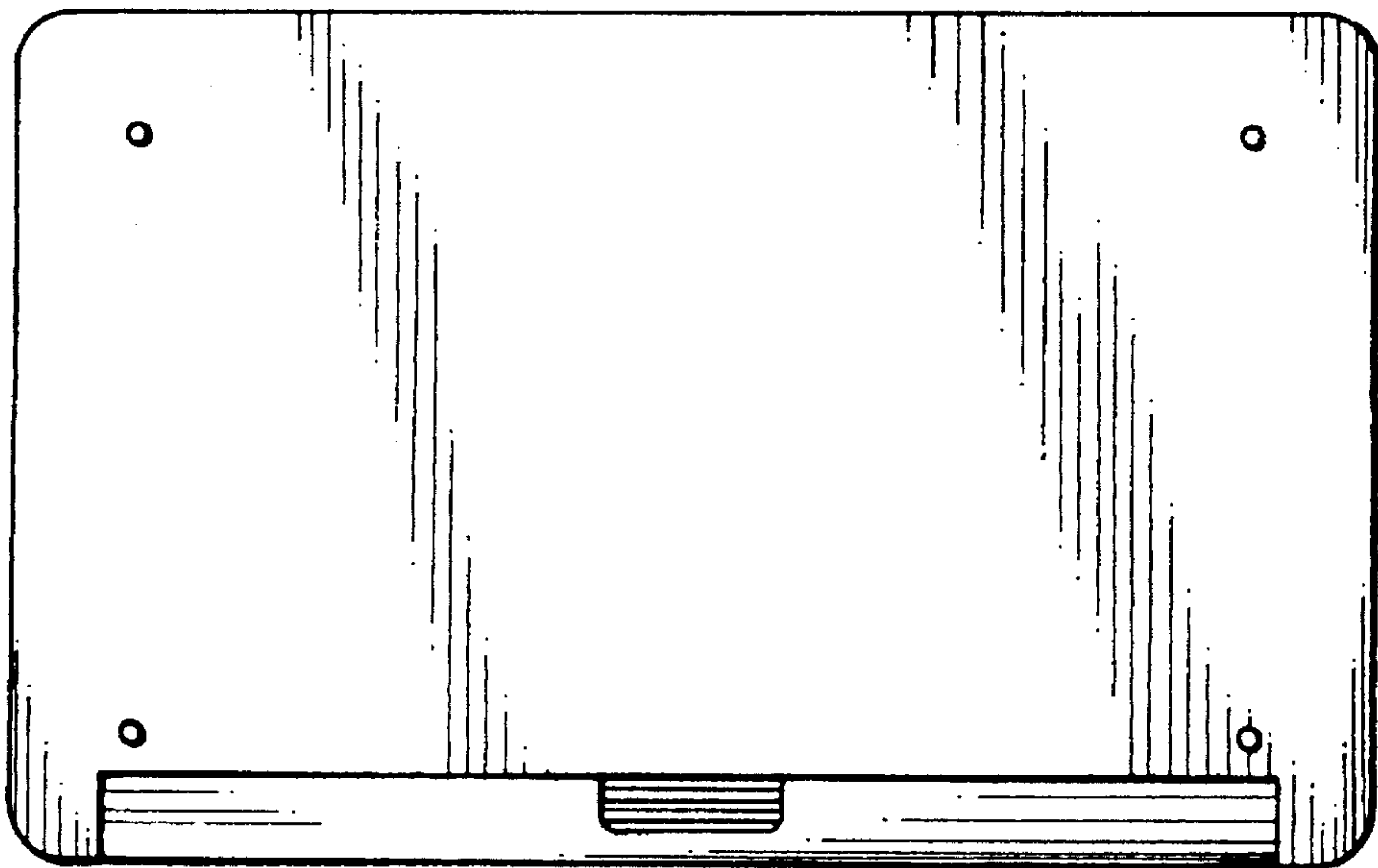


Fig. 6

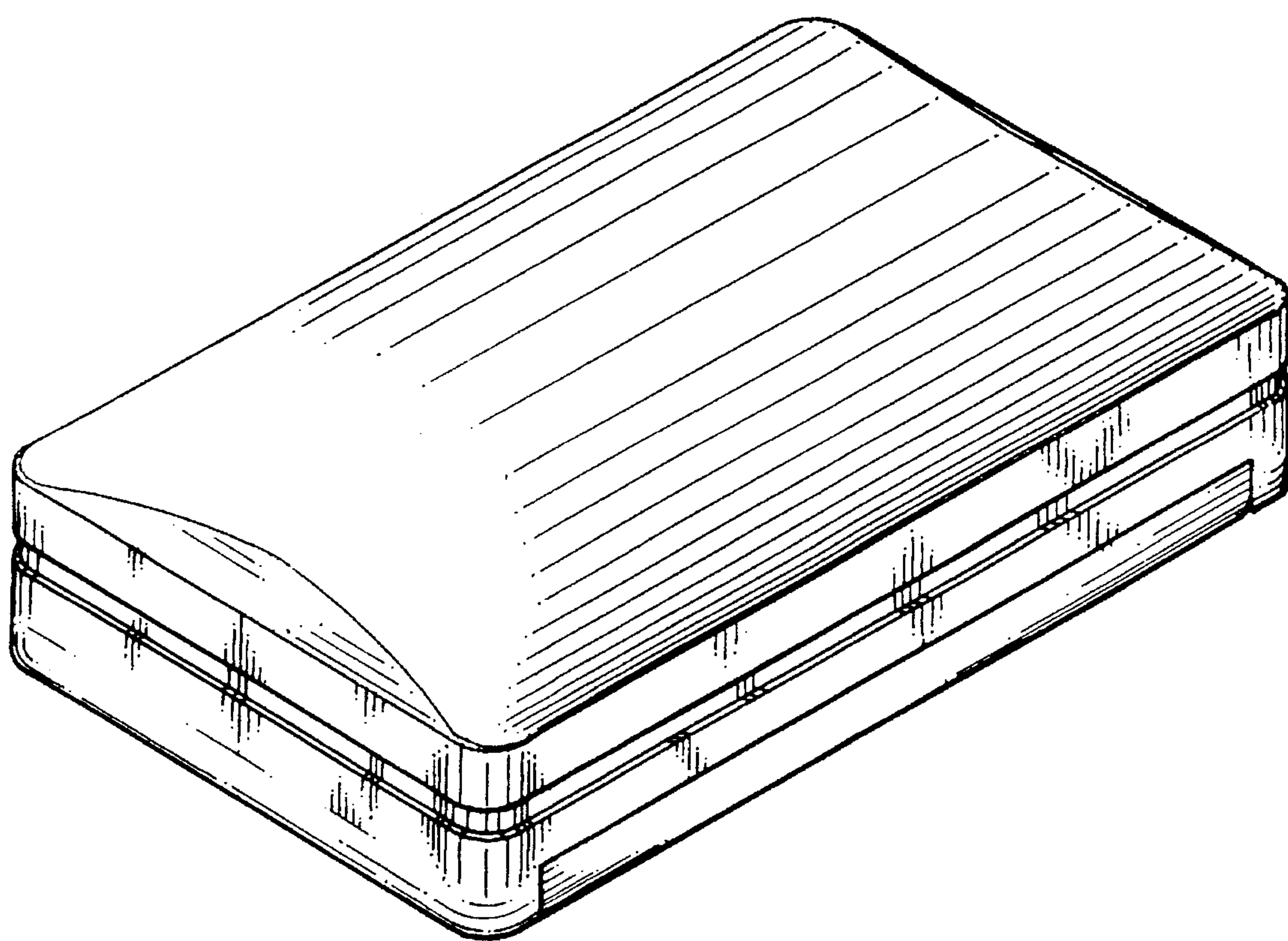


Fig. 7

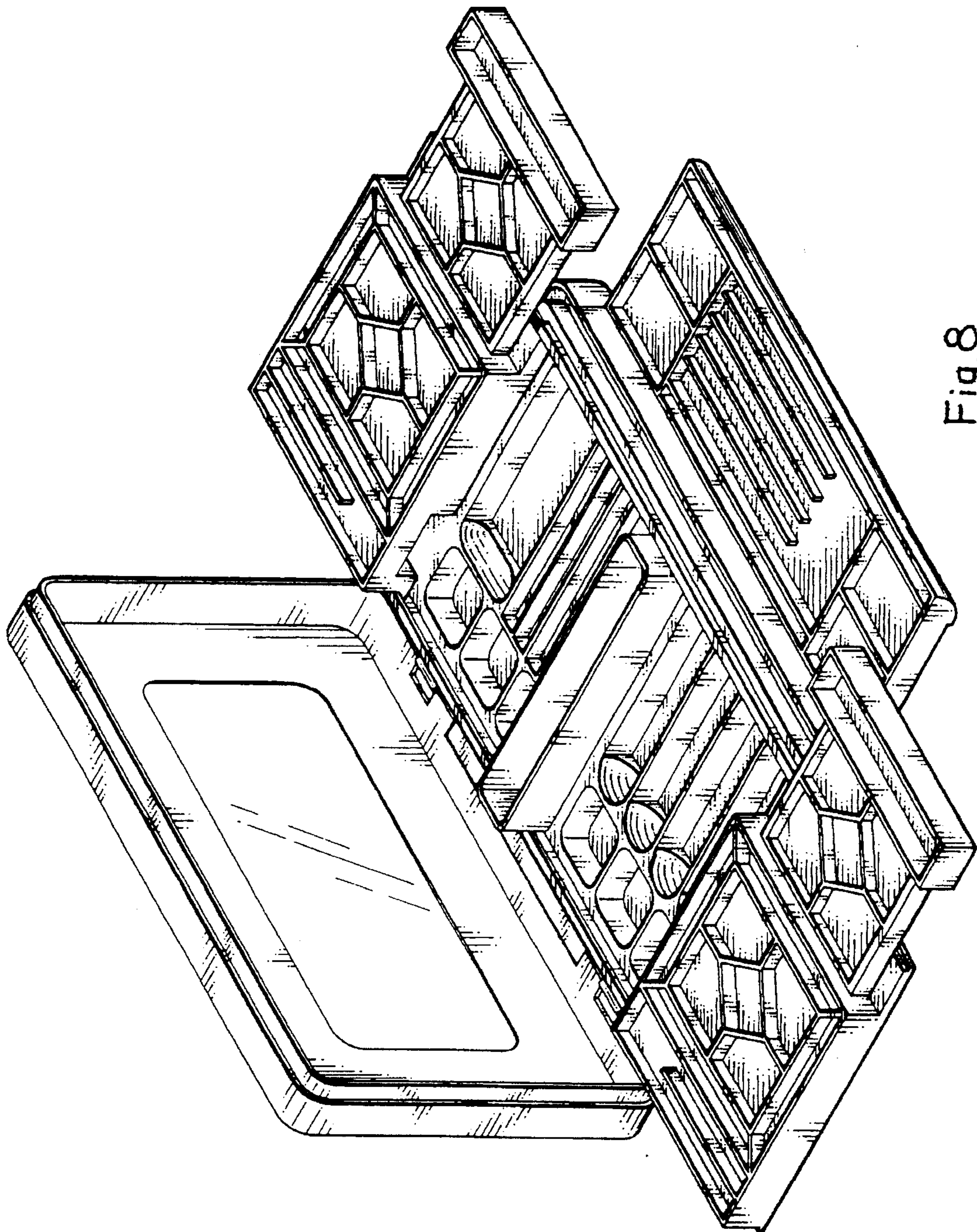


Fig. 8

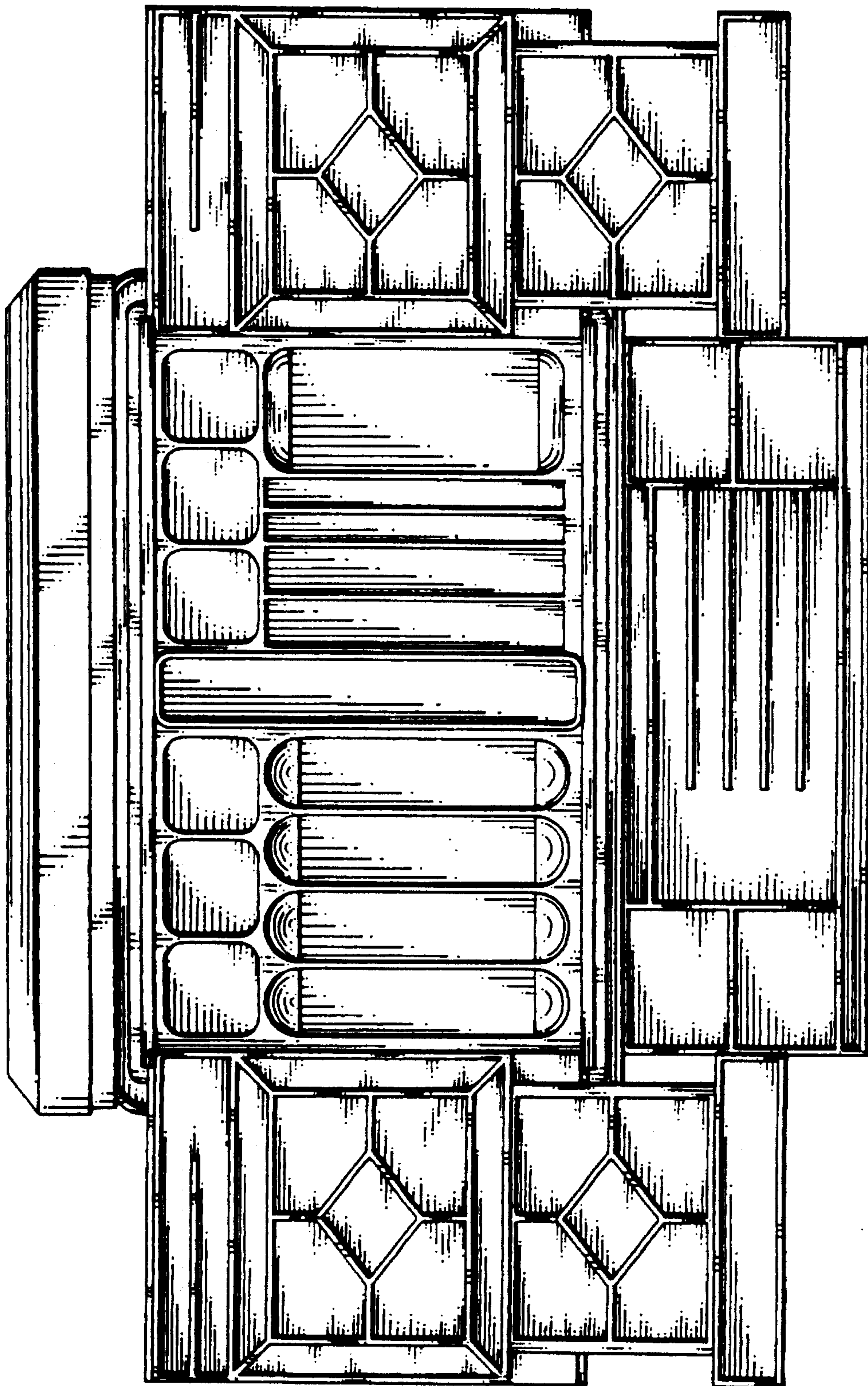


Fig. 9