



US00D373220S

United States Patent [19]

[11] Patent Number: **Des. 373,220**

Lund et al.

[45] Date of Patent: ****Aug. 27, 1996**

[54] COMBINATION COSMETIC CONTAINER AND APPLICATOR PACKAGE

FOREIGN PATENT DOCUMENTS

660447 4/1987 Switzerland 132/316

[75] Inventors: **Doug M. Lund**, Bartlett; **John M. B. Ford**; **Tammye L. Byars**, both of Cordova, all of Tenn.

OTHER PUBLICATIONS

"Modern Salon" Sep. 1987, p. 195: Cosmetic packages indicated by arrows.

[73] Assignee: **Maybelline Intermediate Co.**, Memphis, Tenn.

Primary Examiner—Ted Shooman

Assistant Examiner—C. Tuttle

Attorney, Agent, or Firm—Sherman and Shalloway

[**] Term: **14 Years**

[57] CLAIM

[21] Appl. No.: **40,984**

The ornamental design for a combination cosmetic container and applicator package, as shown and described.

[22] Filed: **Jun. 30, 1995**

DESCRIPTION

[52] U.S. Cl. **D28/77; D28/82**

[58] **Field of Search** **D28/26, 77, 78, D28/82; D9/338, 423, 424, 418; 132/283-307, 316-318; 206/235, 581, 823; 220/DIG. 26**

FIG. 1 is a top plan view of a combination cosmetic container and applicator package showing our new design; FIG. 2 is a bottom plan view thereof;

FIG. 3 is a bottom plan view with the applicator removed for clarity of illustration;

FIG. 4 is a side elevational view of FIGS. 1-3, all sides being the same;

FIG. 5 is a top perspective view thereof;

FIG. 6 is a bottom perspective view; and,

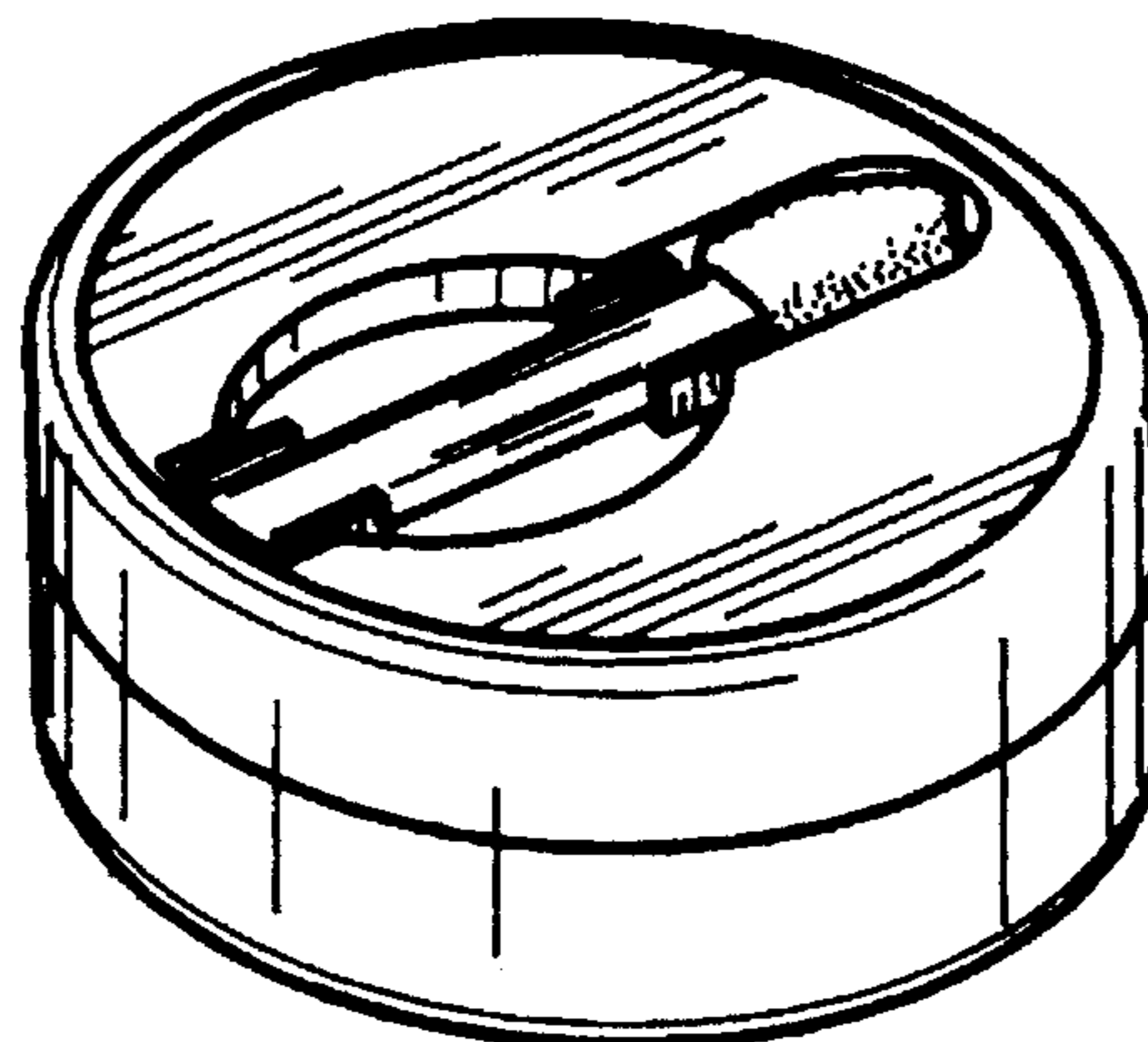
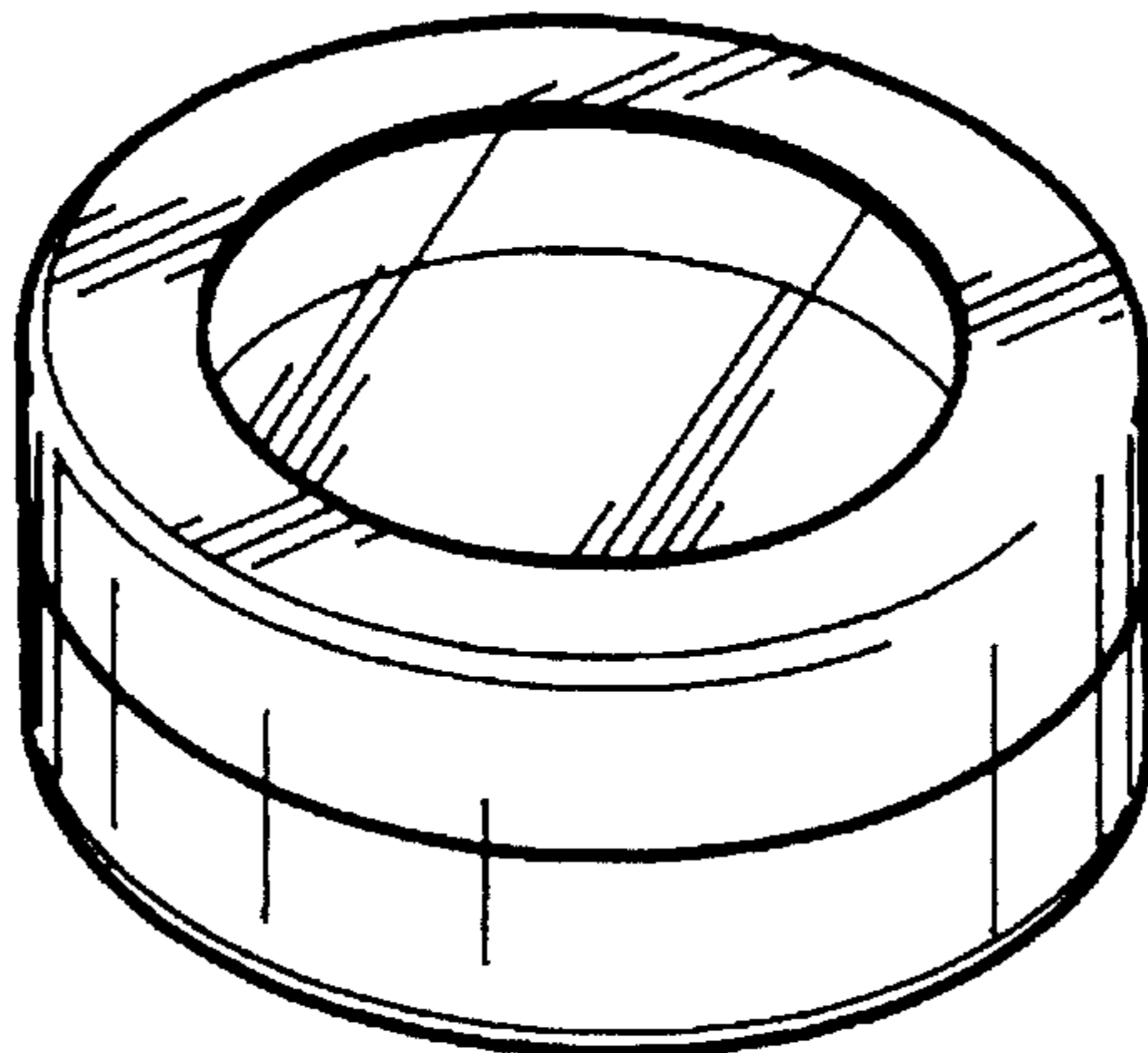
FIG. 7 is a bottom perspective view shown without the applicator for clarity of illustration.

[56] References Cited

U.S. PATENT DOCUMENTS

D. 134,044	10/1942	Vaughn	D28/91
D. 151,234	10/1948	Graham	D28/77
D. 153,938	5/1949	Graham	D28/82 X
D. 277,790	2/1985	Schefer	D28/82
D. 350,837	9/1994	Kirby	D28/82
2,421,646	6/1947	Pepin	220/376 X

1 Claim, 2 Drawing Sheets



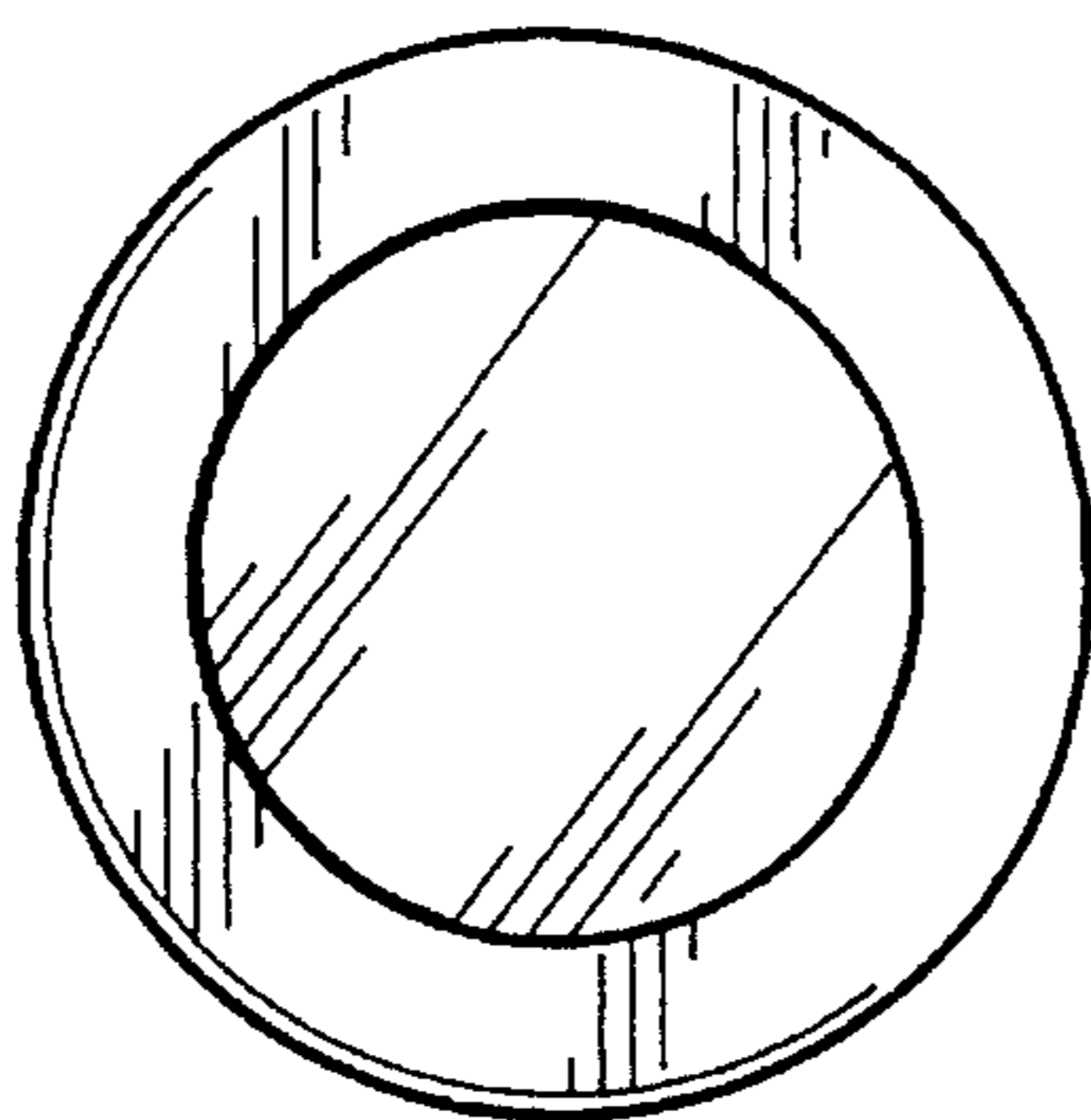


FIG. 1

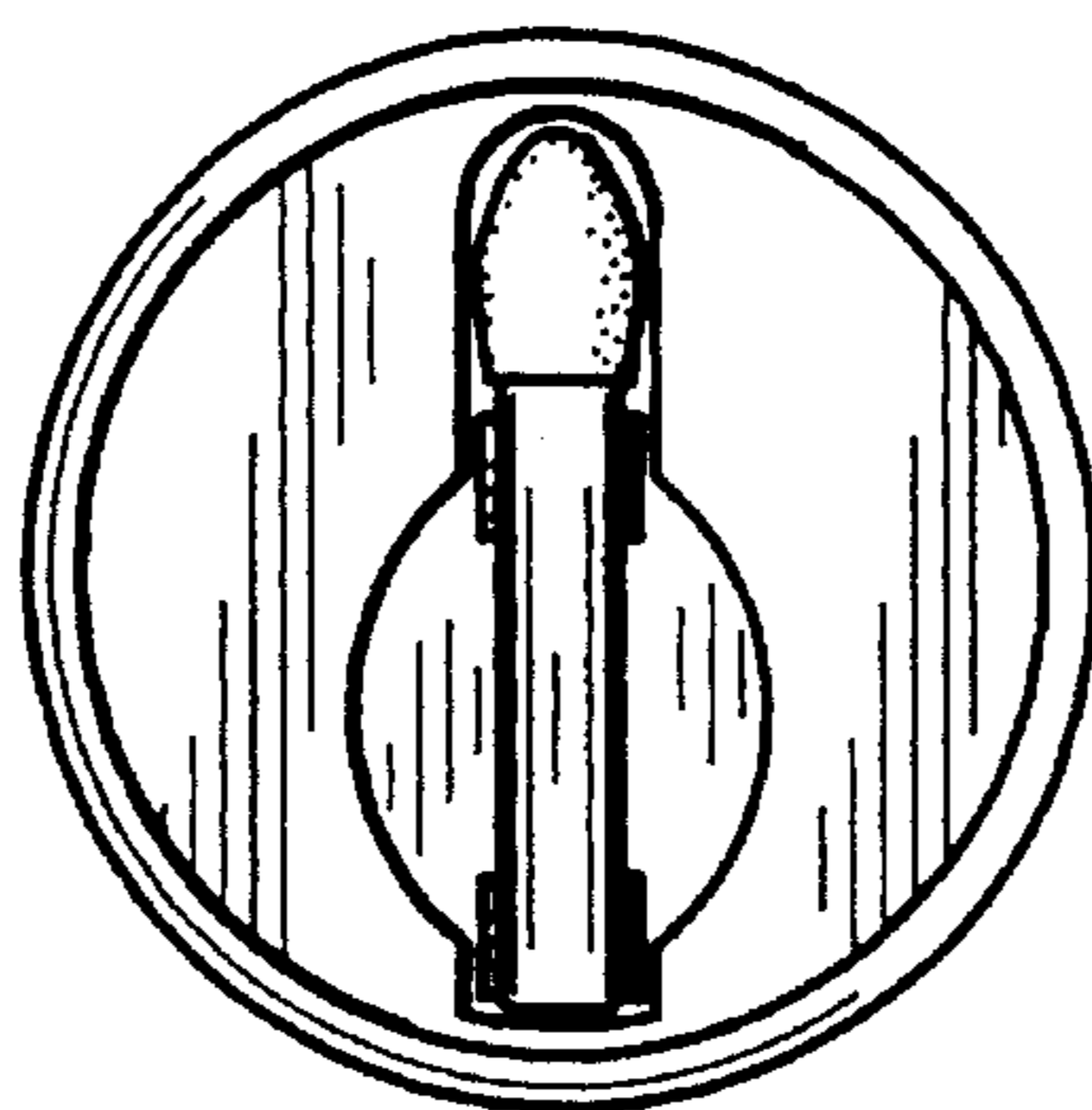


FIG. 2

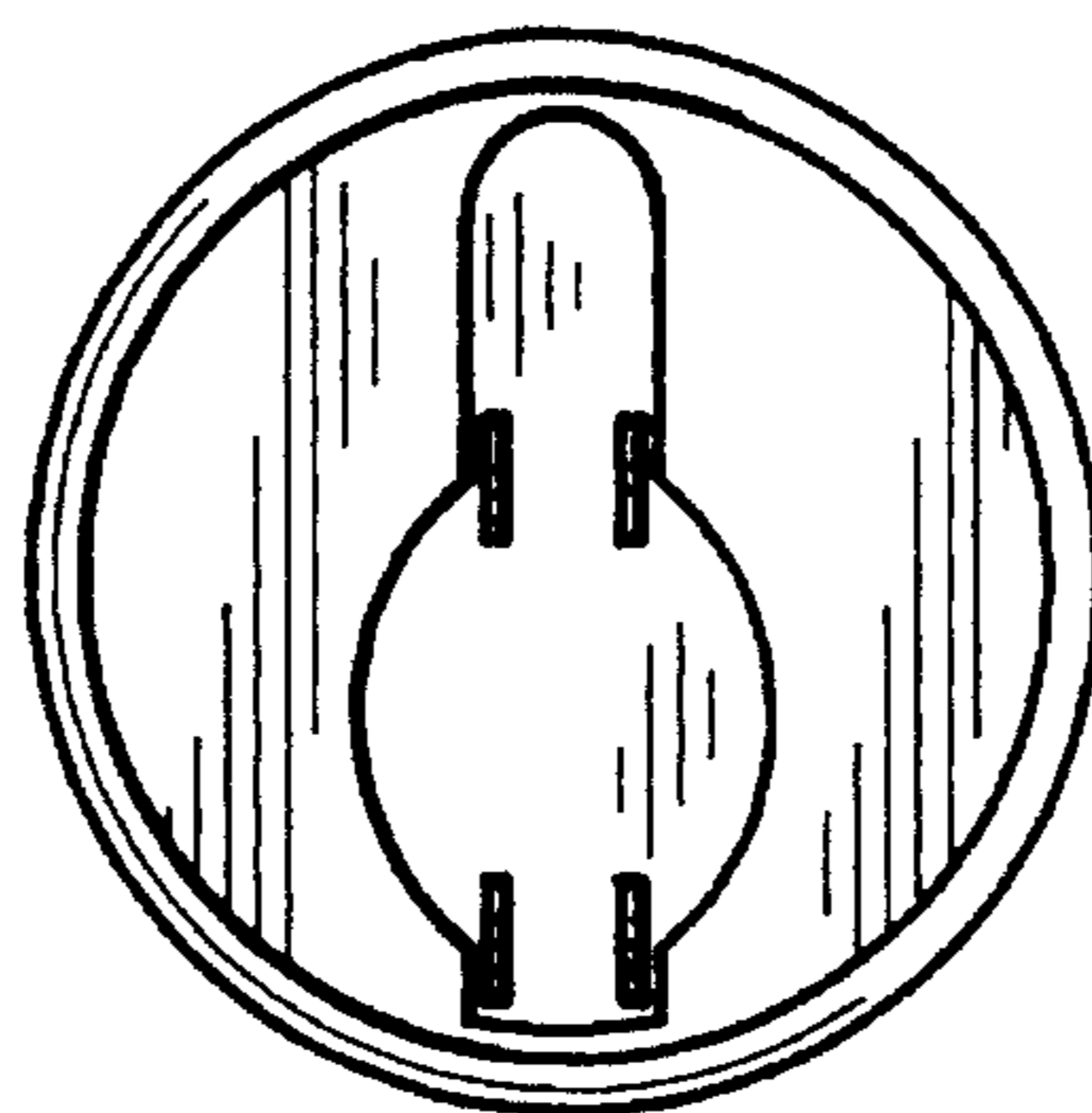


FIG. 3

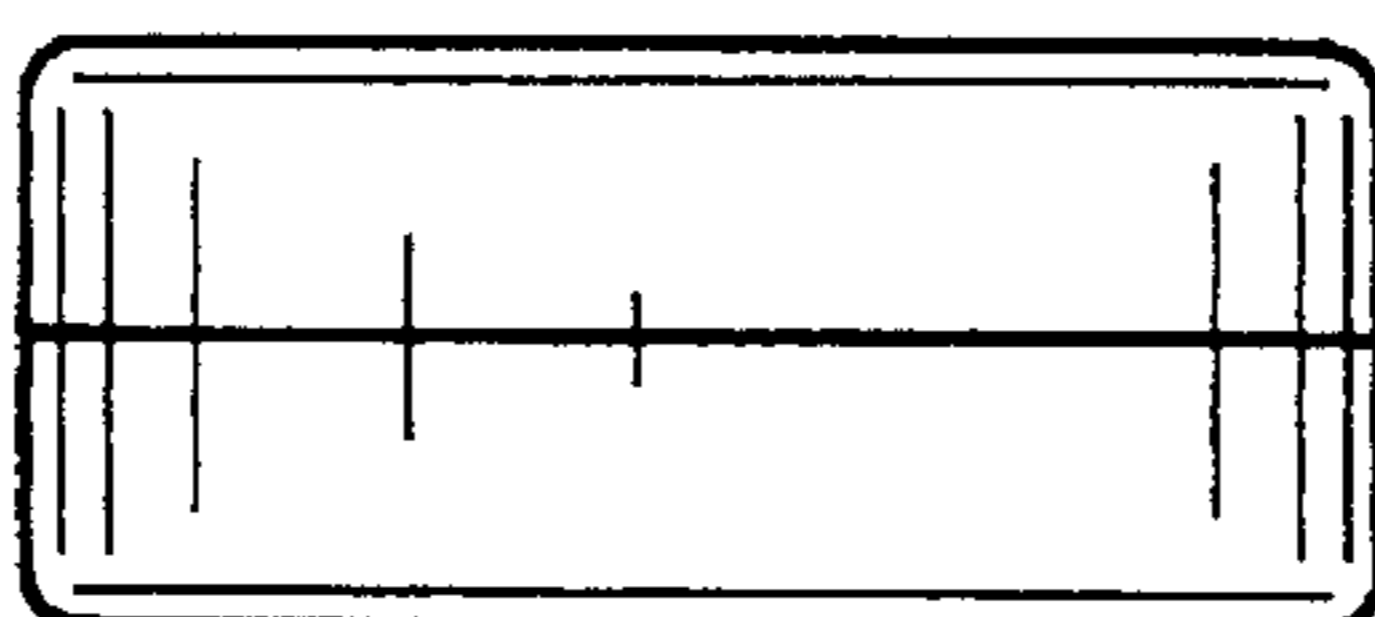


FIG. 4

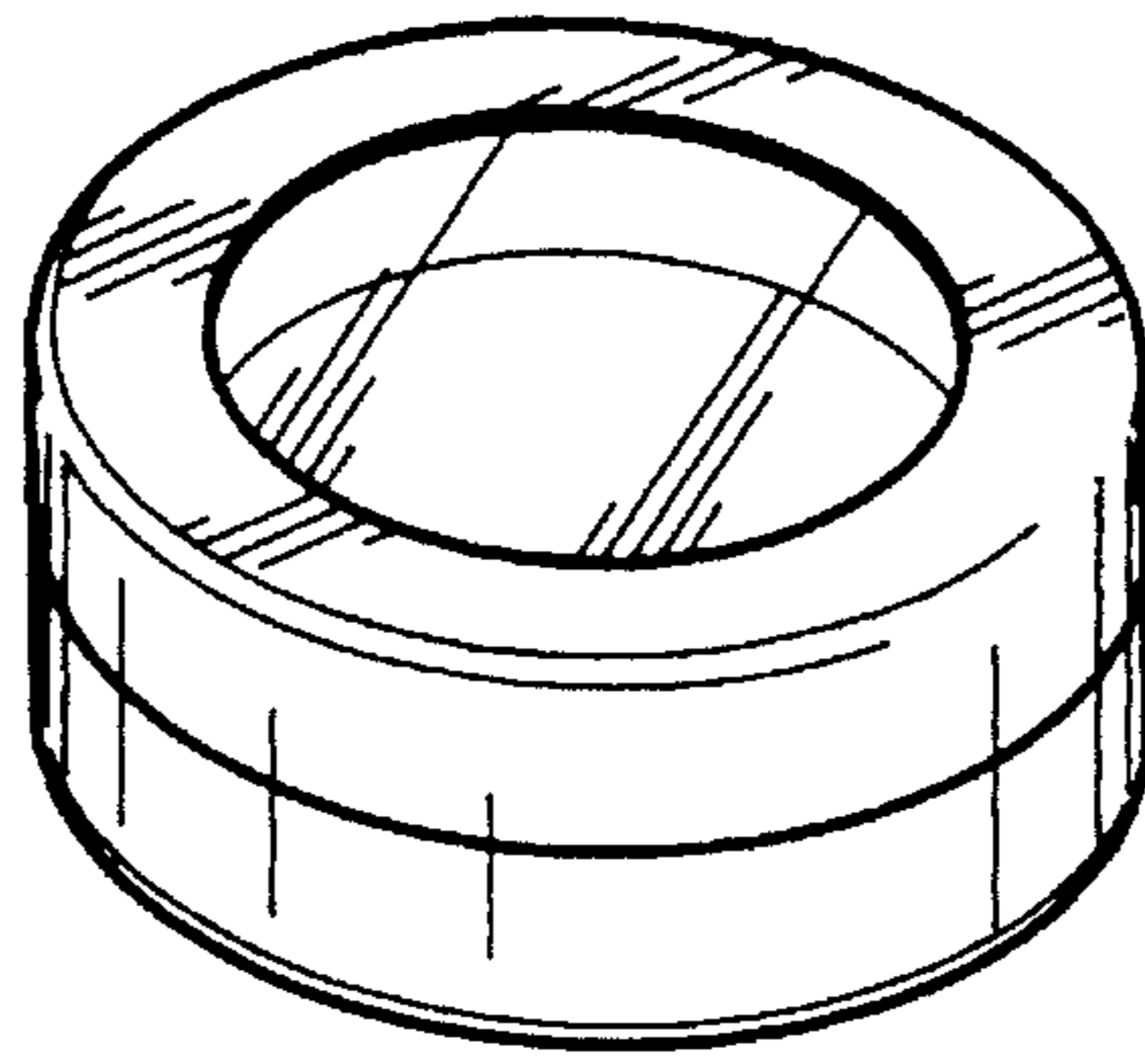


FIG. 5

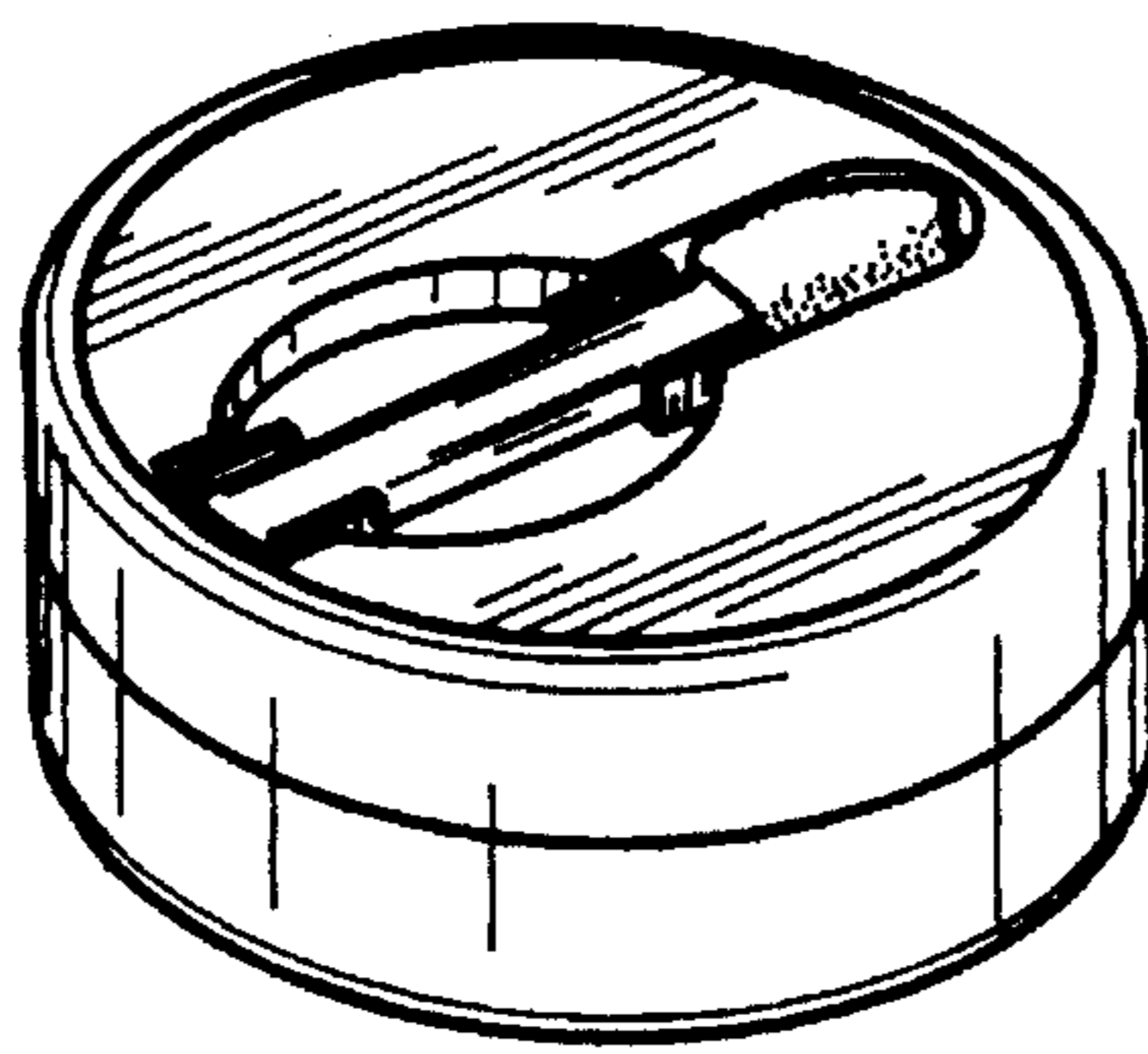


FIG. 6

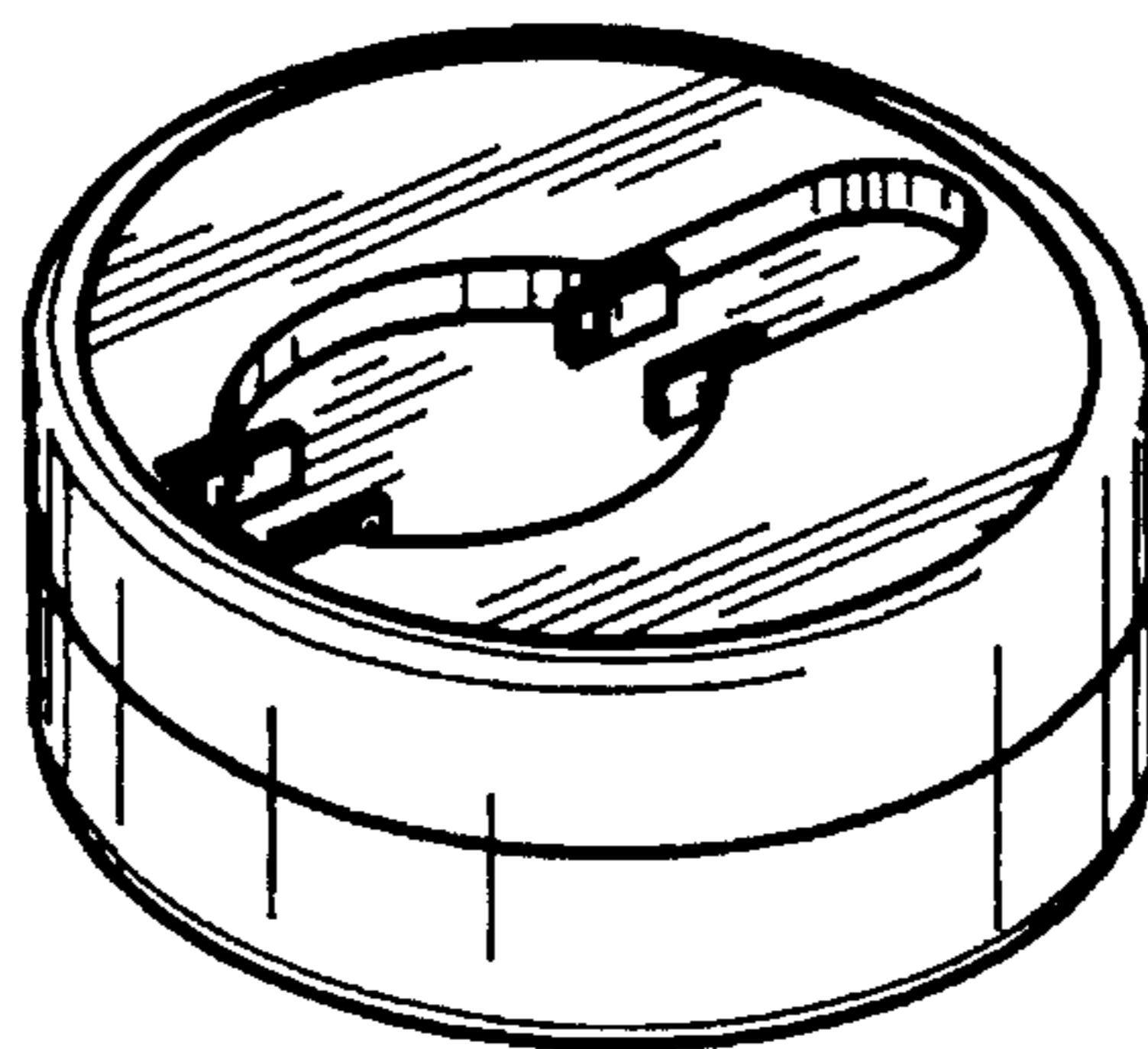


FIG. 7