



US00D373218S

United States Patent [19]
Shurtleff et al.

[11] **Patent Number: Des. 373,218**
[45] **Date of Patent: **Aug. 27, 1996**

[54] **SAFETY RAZOR CARTRIDGE**

FOREIGN PATENT DOCUMENTS

[75] Inventors: **Jill M. Shurtleff**, South Boston, Mass.;
Graham J. Simms, Reading, United Kingdom

598803 11/1958 Italy .
601310 12/1958 Italy .
4361783 12/1992 Japan 30/50

[73] Assignee: **The Gillette Company**, Boston, Mass.

Primary Examiner—Sandra L. Morris
Assistant Examiner—C. Tuttle
Attorney, Agent, or Firm—Owen J. Meegan; Aubrey C. Brine; Donal B. Tobin

[**] Term: **14 Years**

[21] Appl. No.: **21,347**

[57] **CLAIM**

[22] Filed: **Apr. 14, 1994**

The ornamental design for a safety razor cartridge, as shown and described.

[52] U.S. Cl. **D28/47**

[58] **Field of Search** D28/44-47; 30/32,
30/34.05, 49, 50, 51, 346.5, 346.55, 346.57

DESCRIPTION

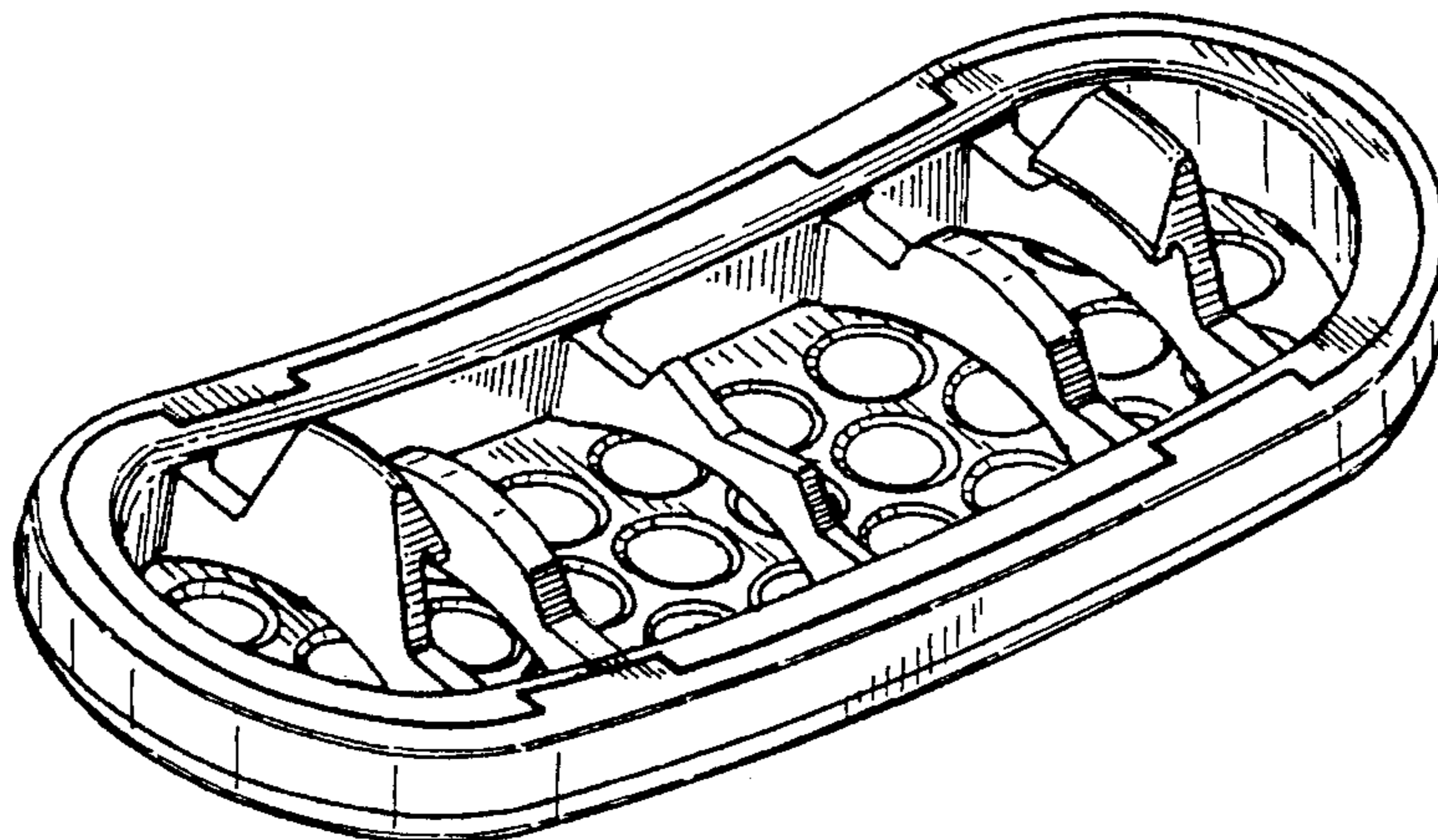
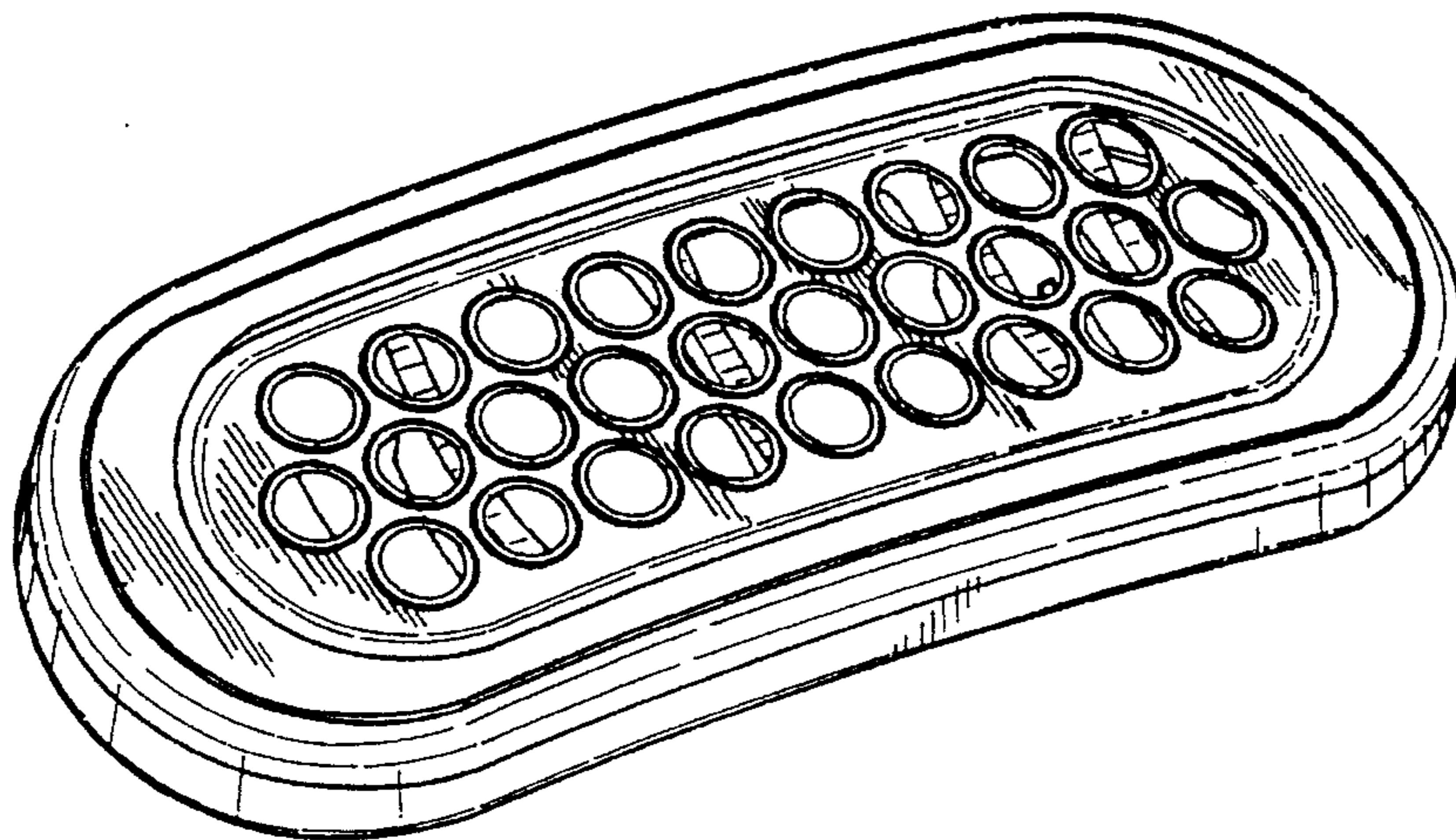
[56] **References Cited**

U.S. PATENT DOCUMENTS

2,614,321	10/1952	Ackerman	30/49
2,989,804	6/1961	Yellon	30/32
3,702,026	11/1972	Scholin	30/49
4,483,068	11/1984	Clifford	30/64 X
4,984,365	1/1991	Leonard et al.	30/49 X
5,088,195	2/1992	Lazarshik et al.	30/346.55 X
5,092,042	3/1992	Miller et al.	30/77
5,153,992	10/1992	Brown et al.	30/49

FIG. 1 is a top perspective view of a safety razor cartridge showing our new design;
FIG. 2 is a bottom perspective view;
FIG. 3 is a top plan view;
FIG. 4 is a front elevational view, the rear elevational view being a mirror image thereof;
FIG. 5 is a bottom plan view; and,
FIG. 6 is a side elevational view thereof.

1 Claim, 3 Drawing Sheets



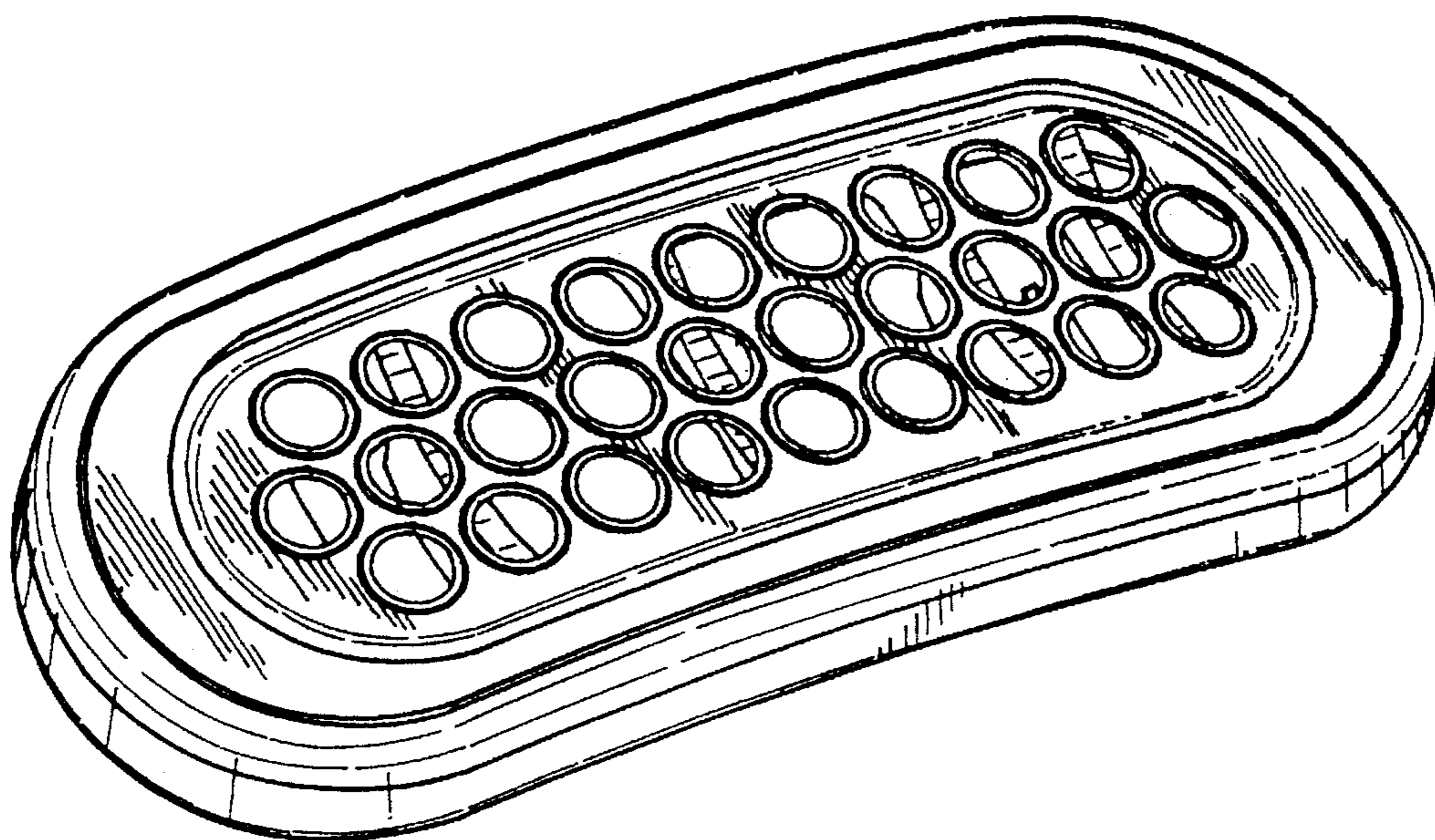


FIG. 1

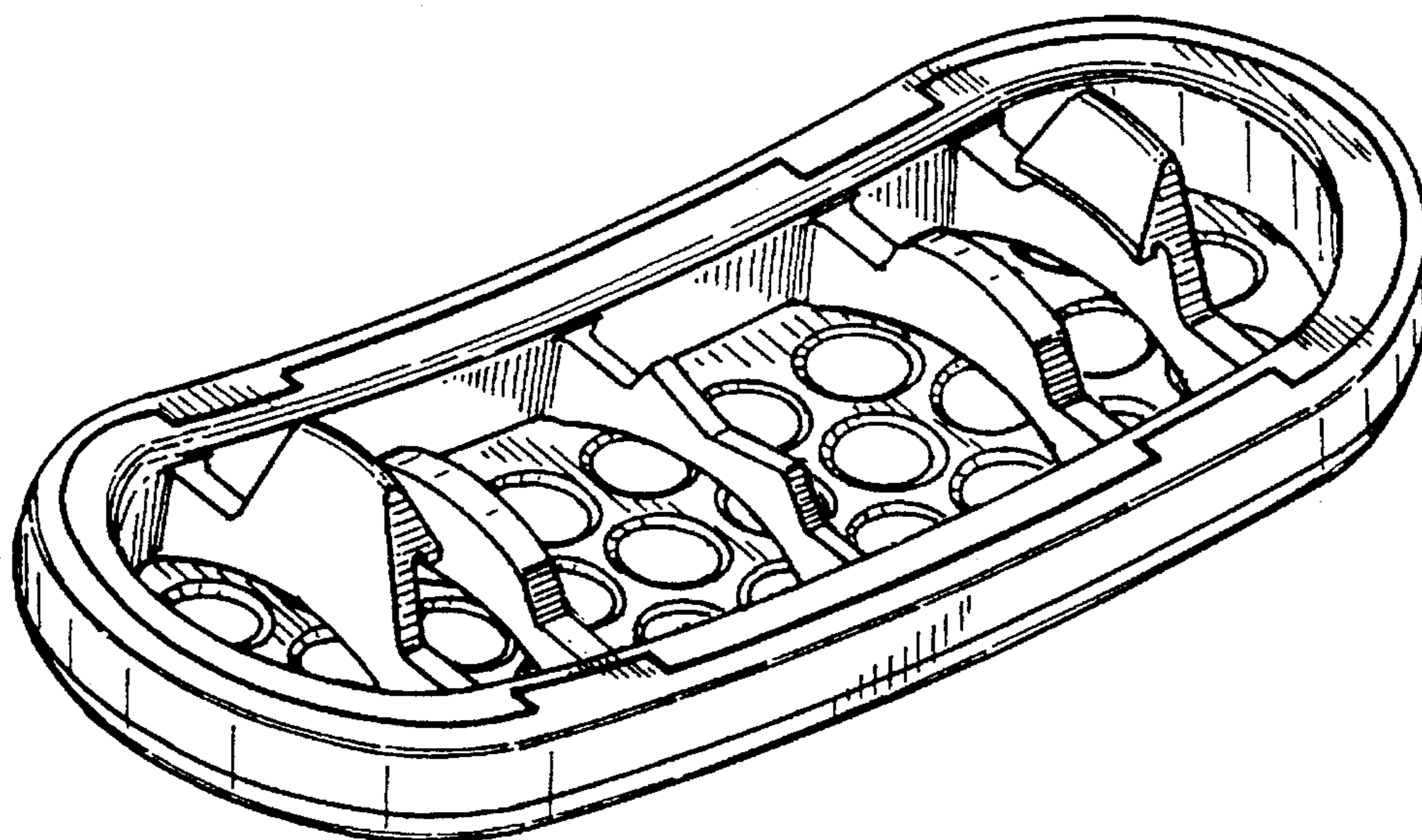


FIG. 2

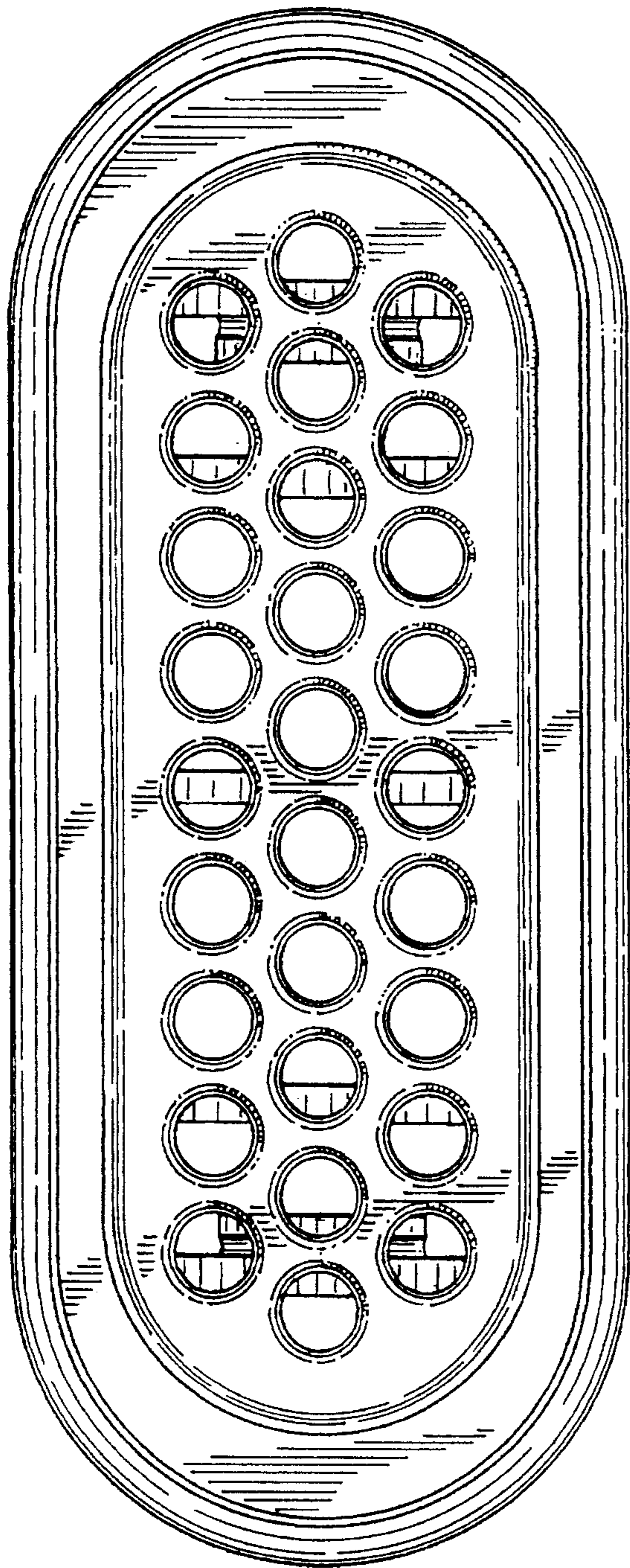


FIG. 3

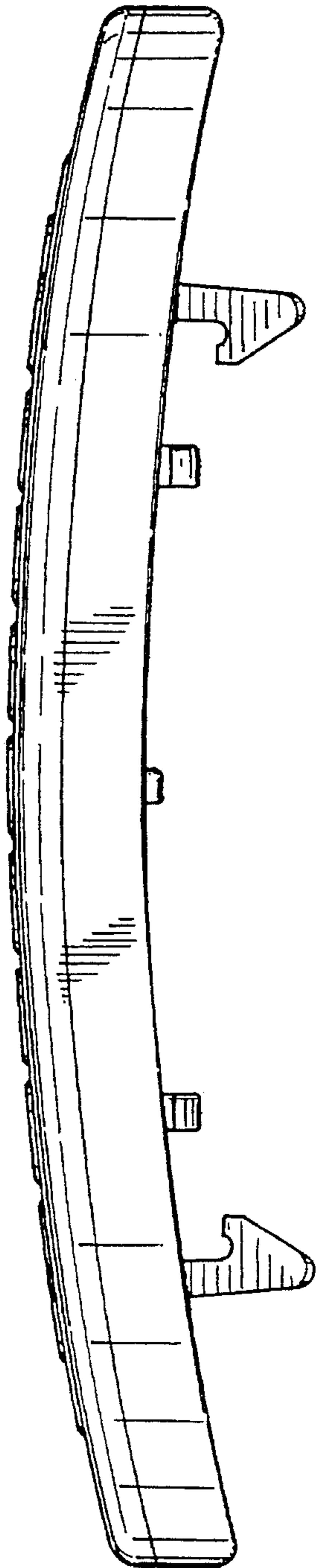


FIG. 4

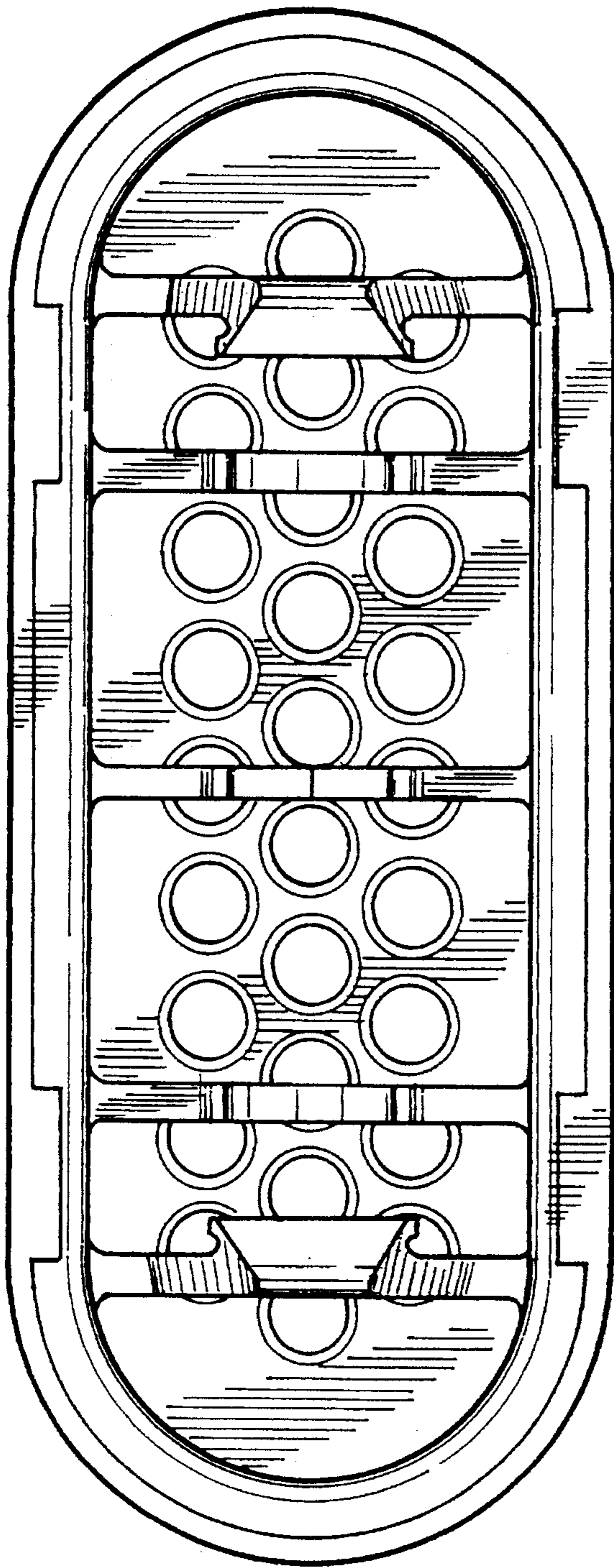


FIG. 5

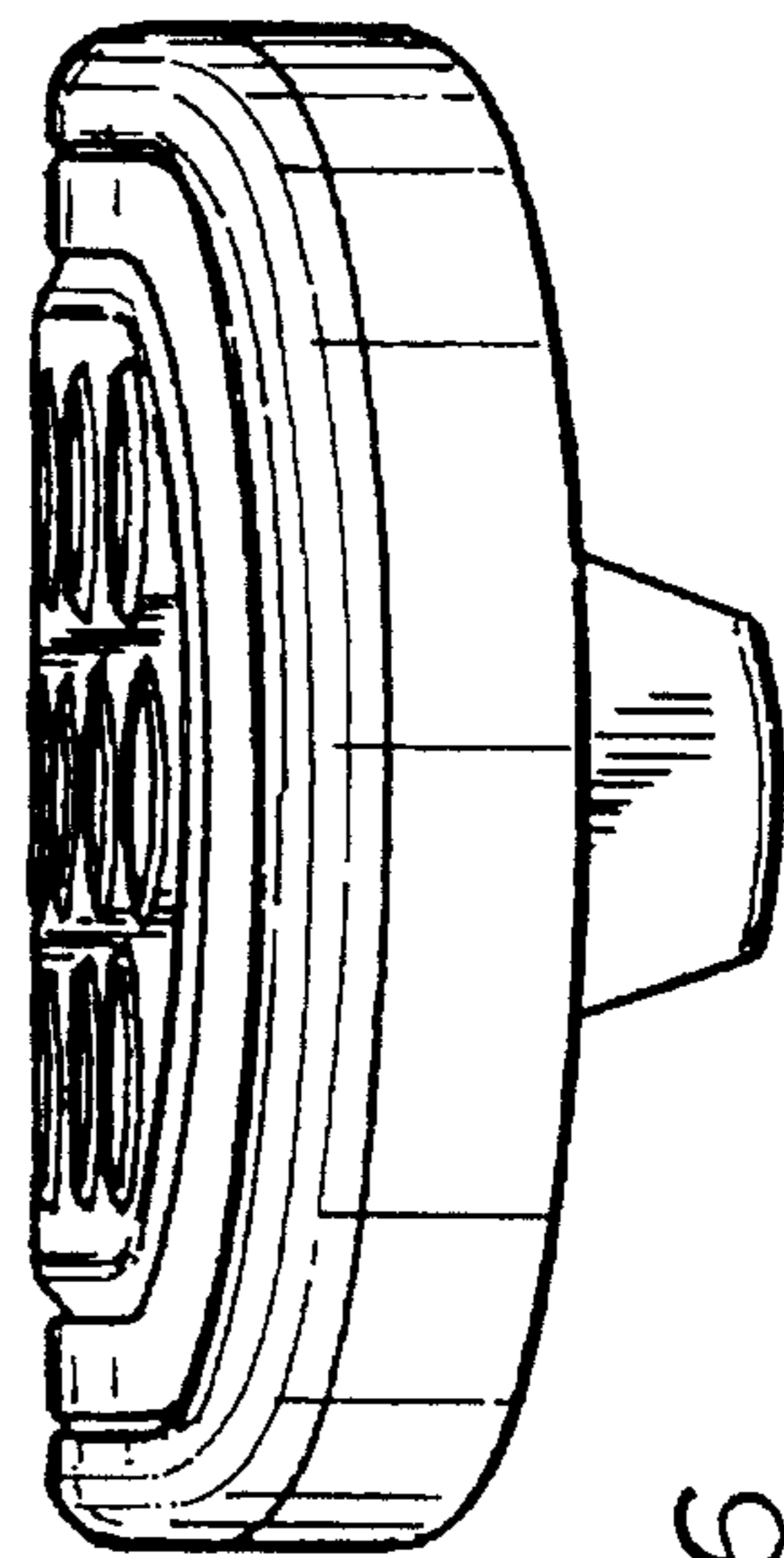


FIG. 6