



US00D373212S

United States Patent [19]
Clark

[11] **Patent Number:** **Des. 373,212**

[45] **Date of Patent:** ****Aug. 27, 1996**

[54] **EARTHQUAKE EVACUATION LIGHT**

4,978,948 12/1990 Samen .
5,058,900 10/1991 Denen .

[76] **Inventor:** **Foy Clark**, 9000 Opal St., Bakersfield,
Calif. 93307

FOREIGN PATENT DOCUMENTS

[**] **Term:** **14 Years**

779272 7/1957 United Kingdom .
1223648 6/1960 United Kingdom .

[21] **Appl. No.:** **27,778**

Primary Examiner—Susan J. Lucas
Attorney, Agent, or Firm—Dennis H. Lambert

[22] **Filed:** **Aug. 31, 1994**

[52] **U.S. Cl.** **D26/74**

[57] **CLAIM**

[58] **Field of Search** D26/24, 72, 80,
D26/81, 85, 87, 88, 74; 362/147, 364, 365,
432, 183, 158; 340/690, 691

The ornamental design for an earthquake evacuation light,
as shown and described.

DESCRIPTION

[56] **References Cited**

FIG. 1 is a front, top and side perspective view of the
earthquake evacuation light embodying the design of the
present invention;

U.S. PATENT DOCUMENTS

D. 265,132	6/1982	Brooks	D26/24
D. 274,368	6/1984	Skarman	D26/26
D. 294,180	2/1988	Johnson et al.	D26/26 X
D. 304,620	11/1989	Marcucci	D26/724 R
2,593,513	4/1952	Jones	362/364
3,733,448	5/1973	Brady	.	
3,878,858	4/1975	Yamada	.	
4,107,766	8/1978	Baker	362/183 X
4,789,922	12/1988	Cheshire	.	

FIG. 2 is a front elevational view thereof;

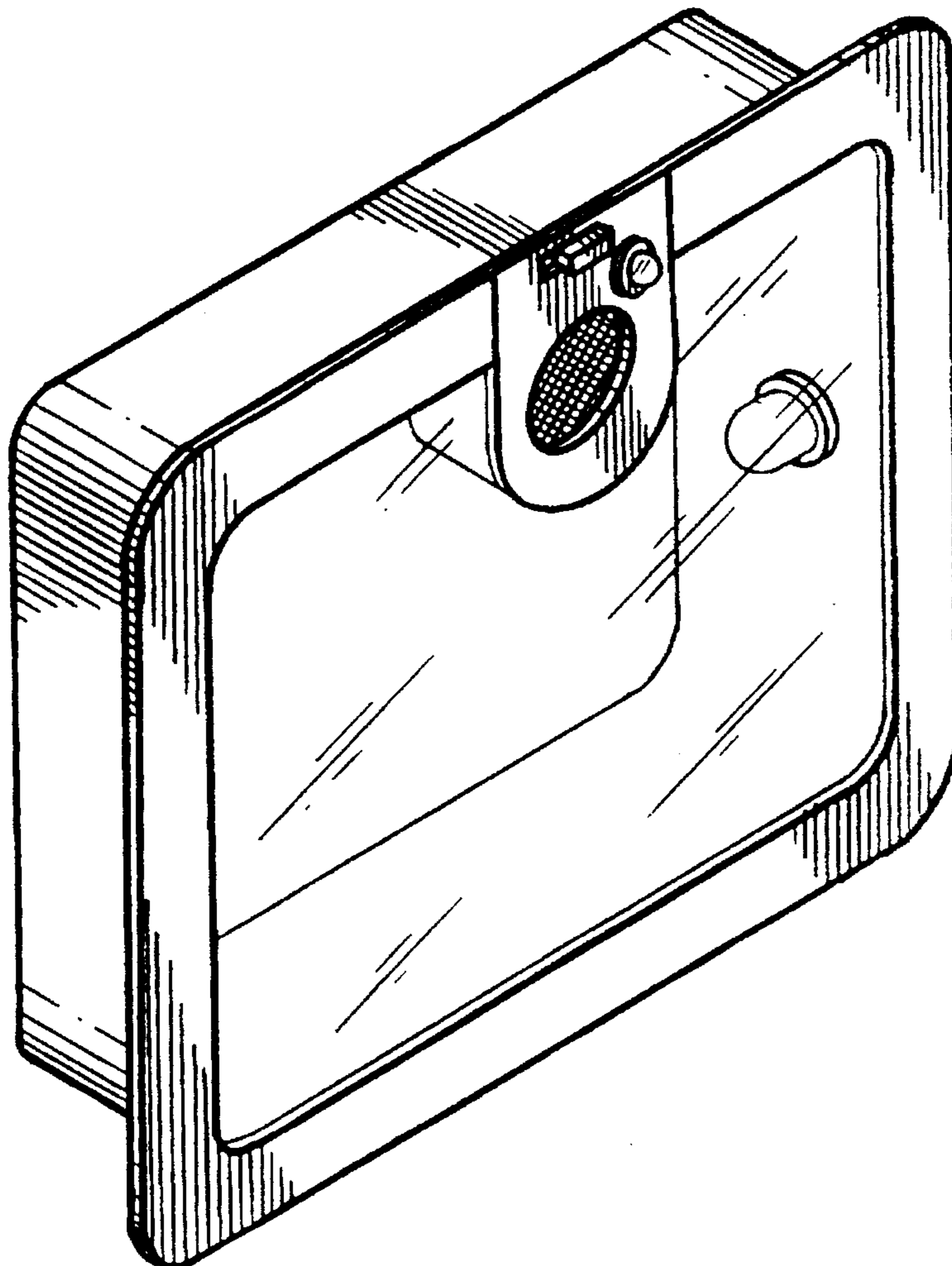
FIG. 3 is a rear elevational view thereof;

FIG. 4 is a side elevational view thereof, the side opposite
being a mirror image of the side shown in FIG. 4;

FIG. 5 is a top plan view thereof; and,

FIG. 6 is a bottom plan view thereof.

1 Claim, 4 Drawing Sheets



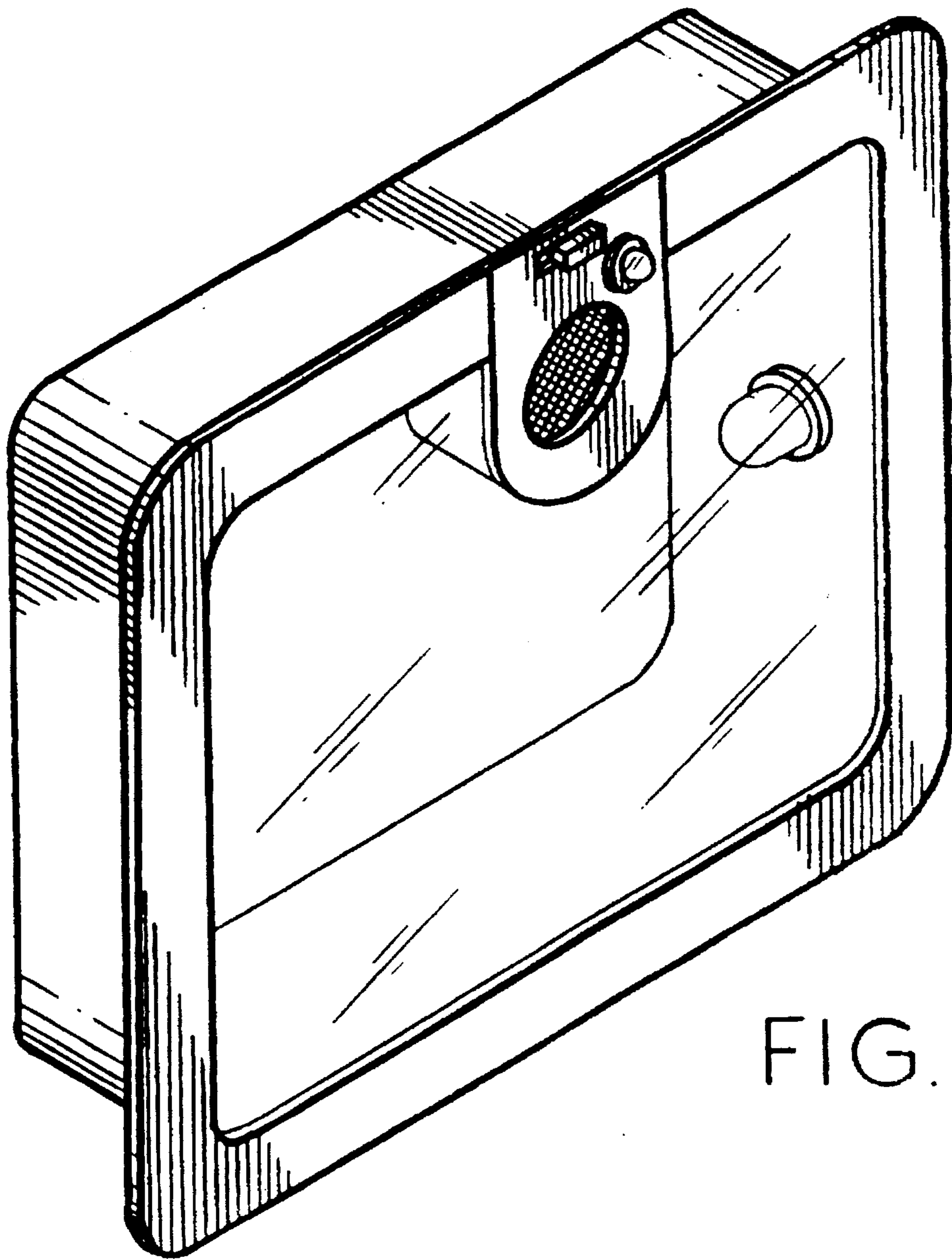


FIG. 1.

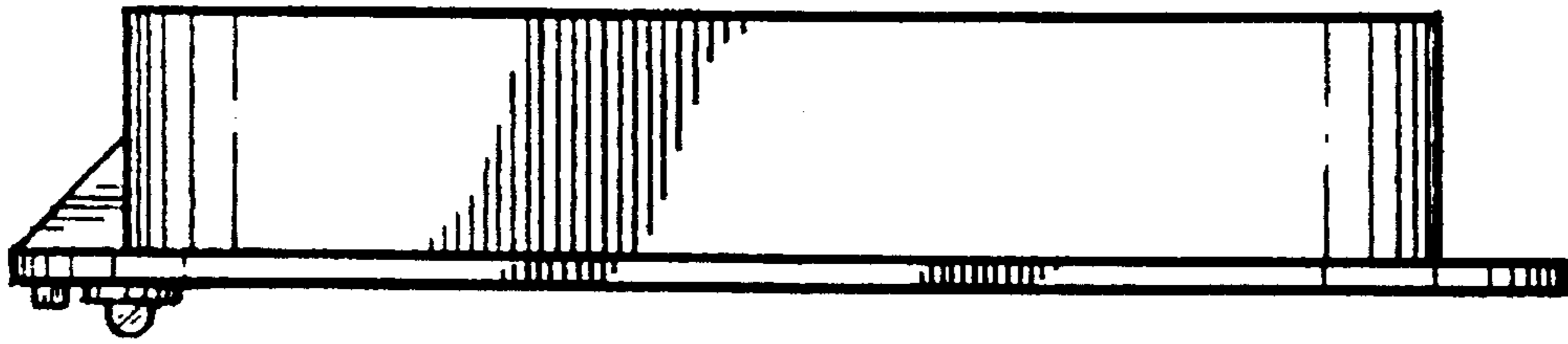


FIG. 4.

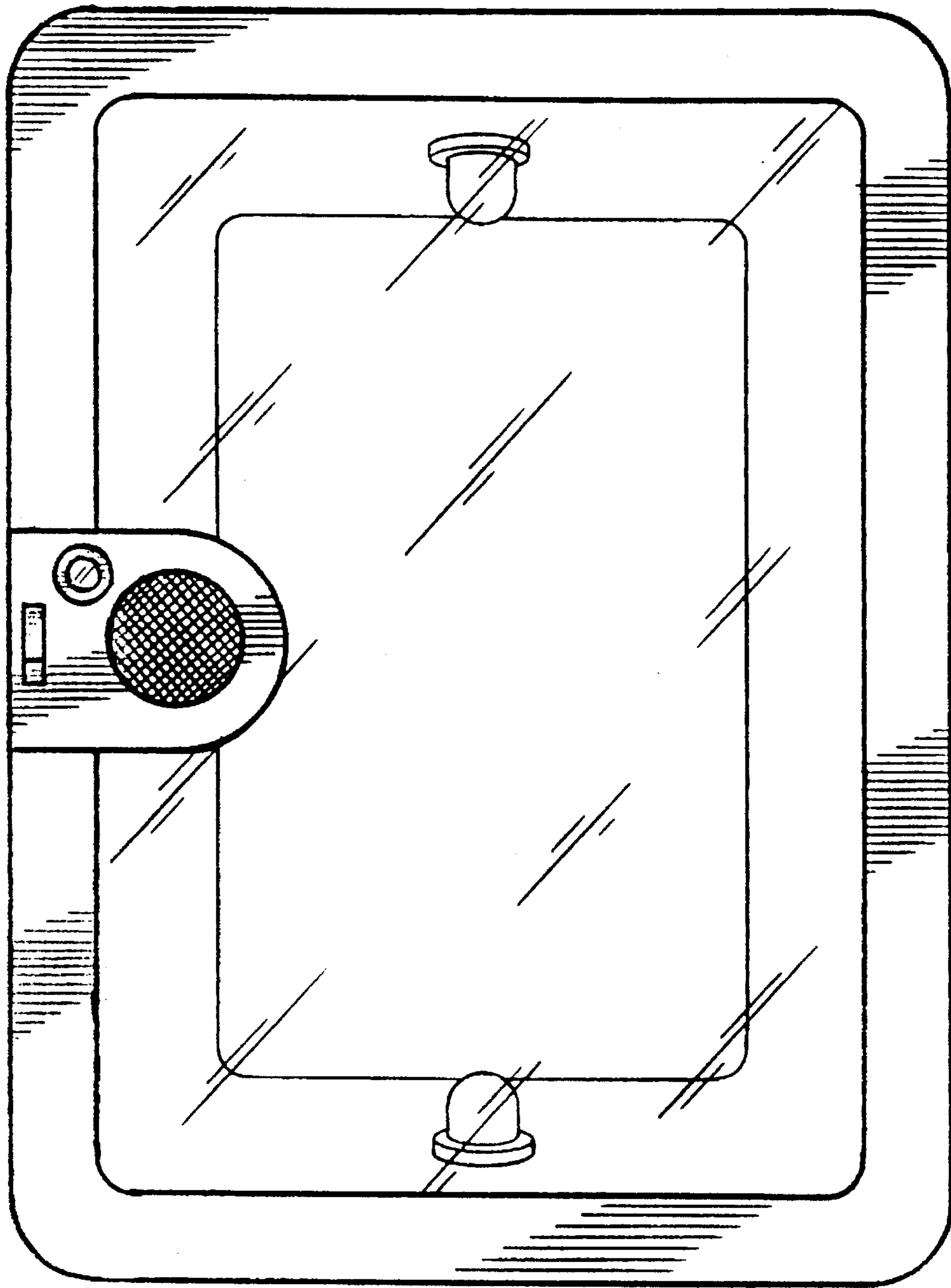


FIG. 2.

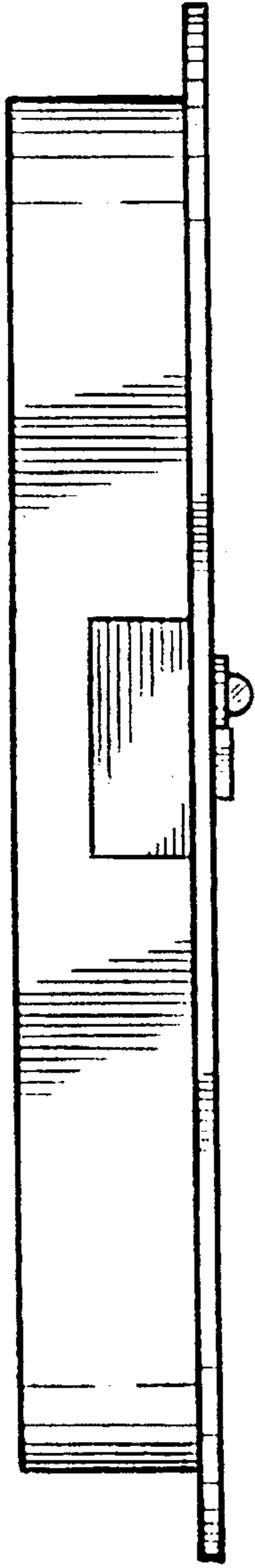


FIG. 5.

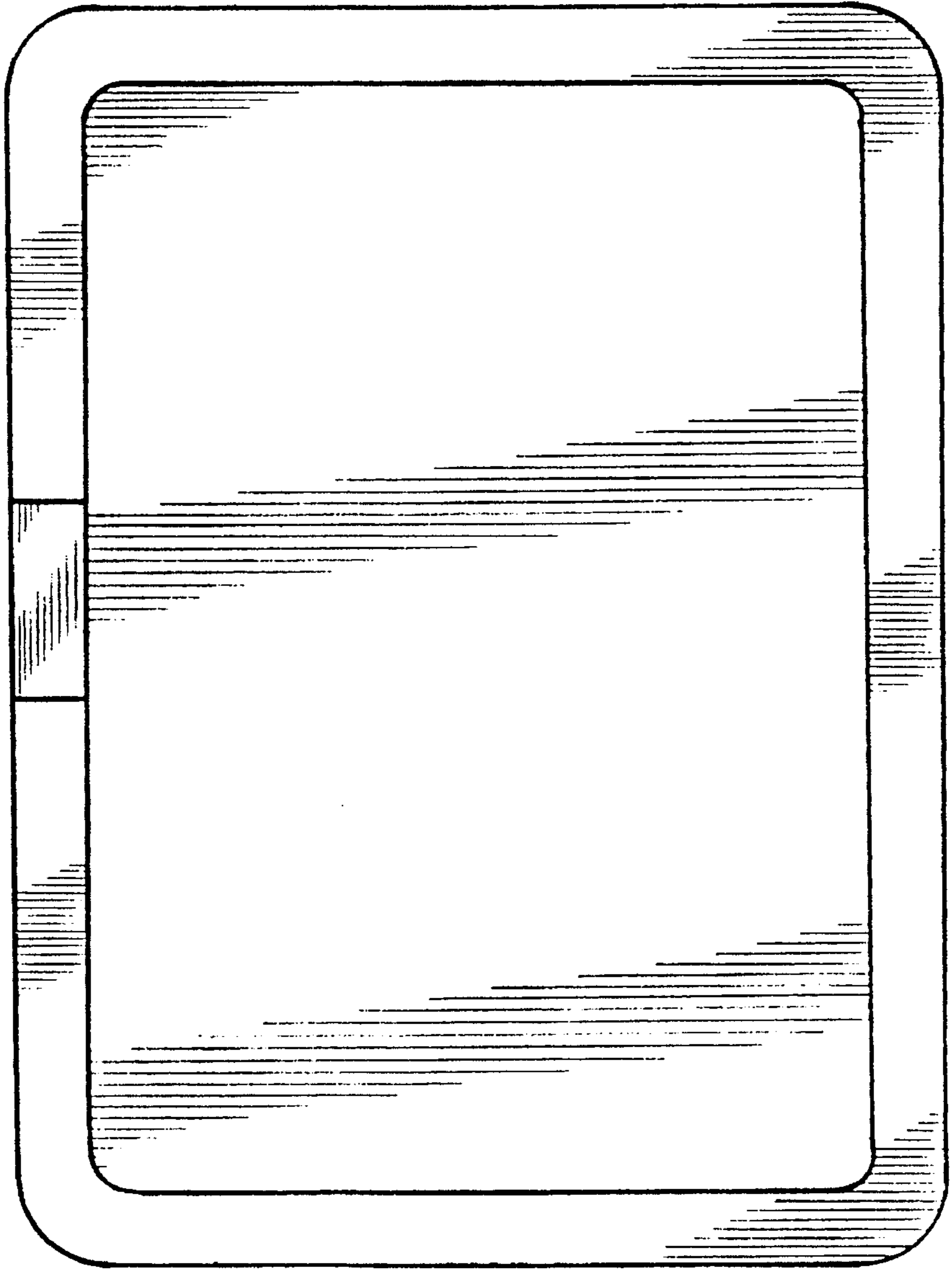


FIG. 3.

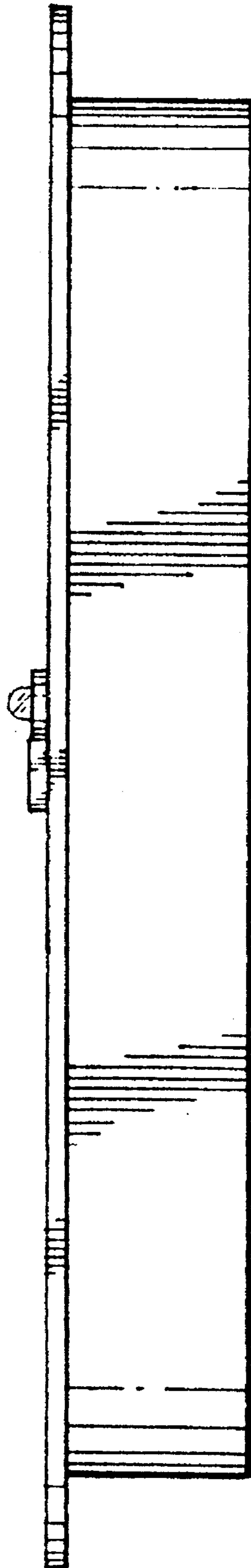


FIG. 6.