



US00D373211S

United States Patent [19]
Heun

[11] **Patent Number: Des. 373,211**
[45] **Date of Patent: **Aug. 27, 1996**

[54] **FLASHLIGHT WITH PIVOTING HEAD**

[75] **Inventor: Ping H. Heun, Kowloon, Hong Kong**

[73] **Assignee: GSL Rechargeable Products, Ltd.,
Kowloon, Hong Kong**

[**] **Term: 14 Years**

[21] **Appl. No.: 37,380**

[22] **Filed: Apr. 11, 1995**

[52] **U.S. Cl. D26/44**

[58] **Field of Search D26/37-50; 362/86,
362/157, 158, 183-202**

[56] **References Cited**

U.S. PATENT DOCUMENTS

D. 136,756	11/1943	Barask	D26/37
D. 137,264	2/1944	Zippincott	D26/37
D. 344,358	2/1994	Yuen	D26/38

Primary Examiner—Marcus A. Jackson
Attorney, Agent, or Firm—Longacre & White

[57] **CLAIM**

The ornamental design for a flashlight with pivoting head, as shown and described.

DESCRIPTION

FIG. 1 is a front view of the flashlight with pivoting head showing my new design;

FIG. 2 is a left-side view of the flashlight with pivoting head as shown in FIG. 1;

FIG. 3 is a right-side view of the flashlight with pivoting head as shown in FIG. 1;

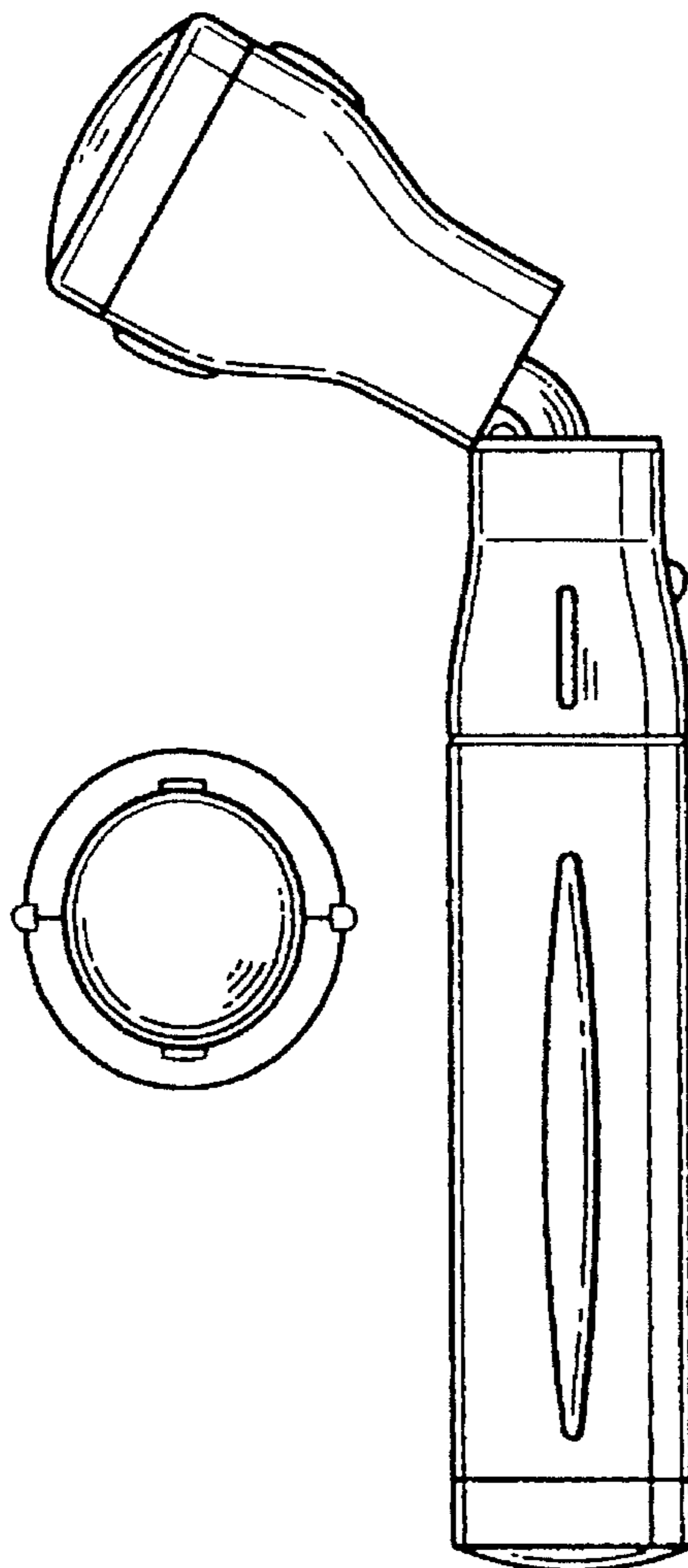
FIG. 4 is a back view of the flashlight with pivoting head as shown in FIG. 1;

FIG. 5 is a top view of the flashlight with pivoting head as shown in FIG. 1;

FIG. 6 is a bottom view of the flashlight with pivoting head as shown in FIG. 1; and,

FIG. 7 is a back view of the flashlight with pivoting head as shown in FIG. 4, and having the head in the pivoted position.

1 Claim, 2 Drawing Sheets



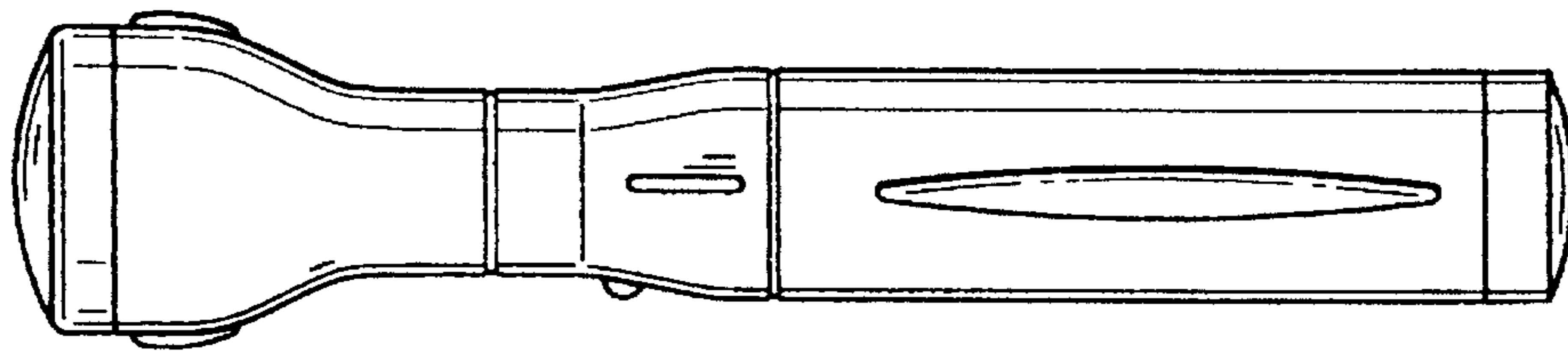


FIG. 1

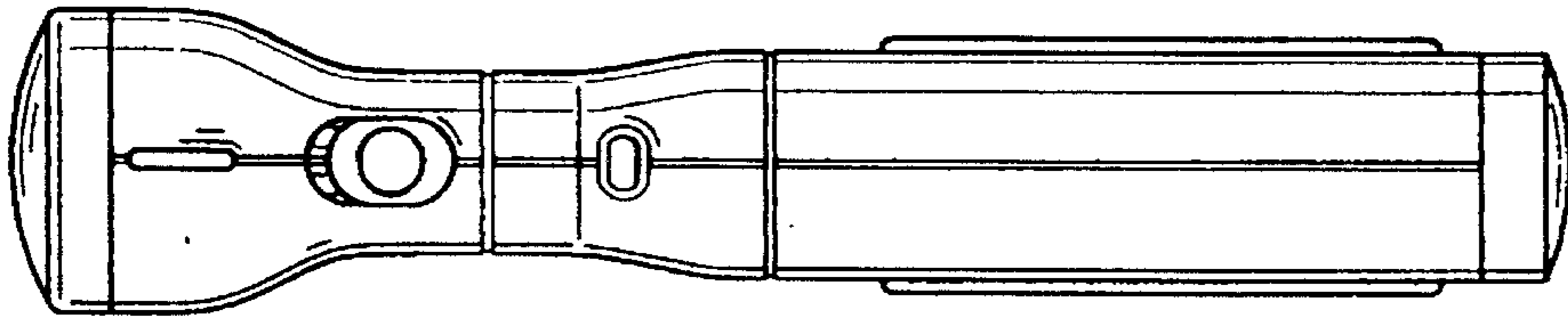


FIG. 2

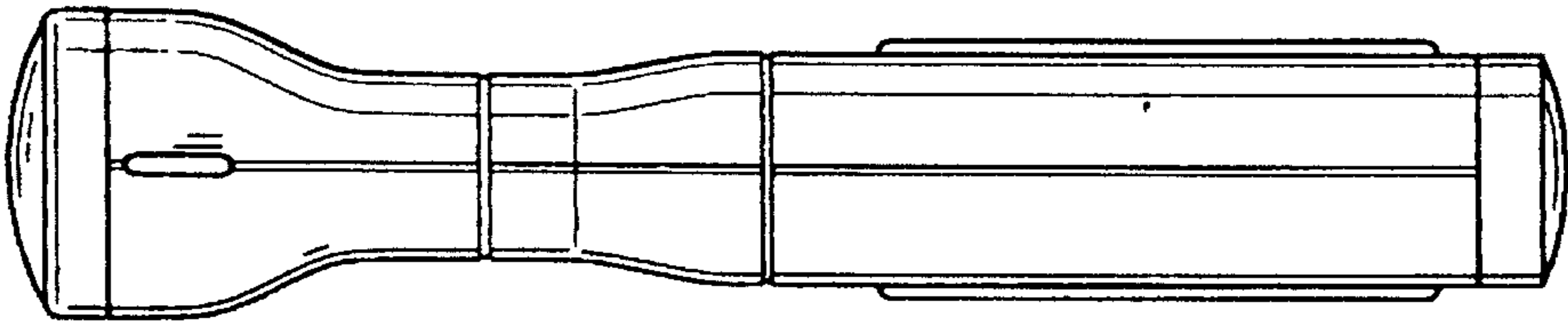


FIG. 3

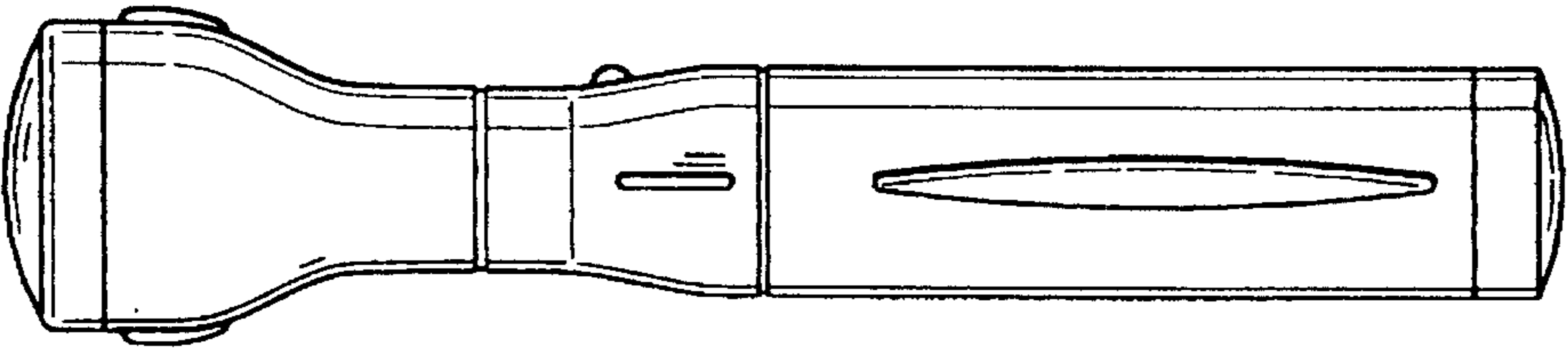


FIG. 4

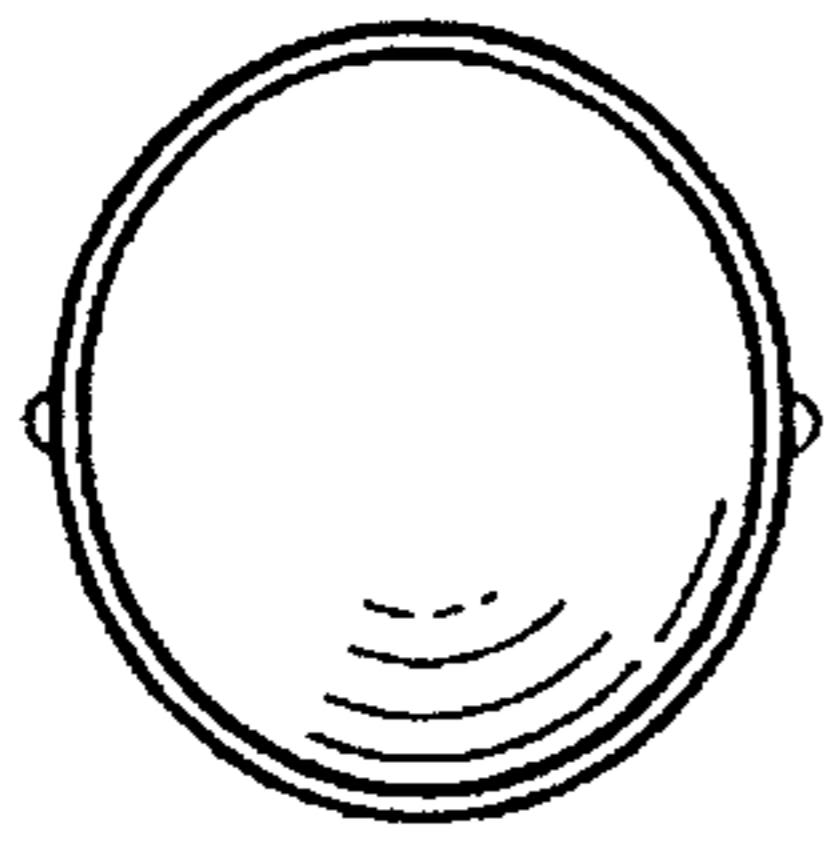


FIG. 5

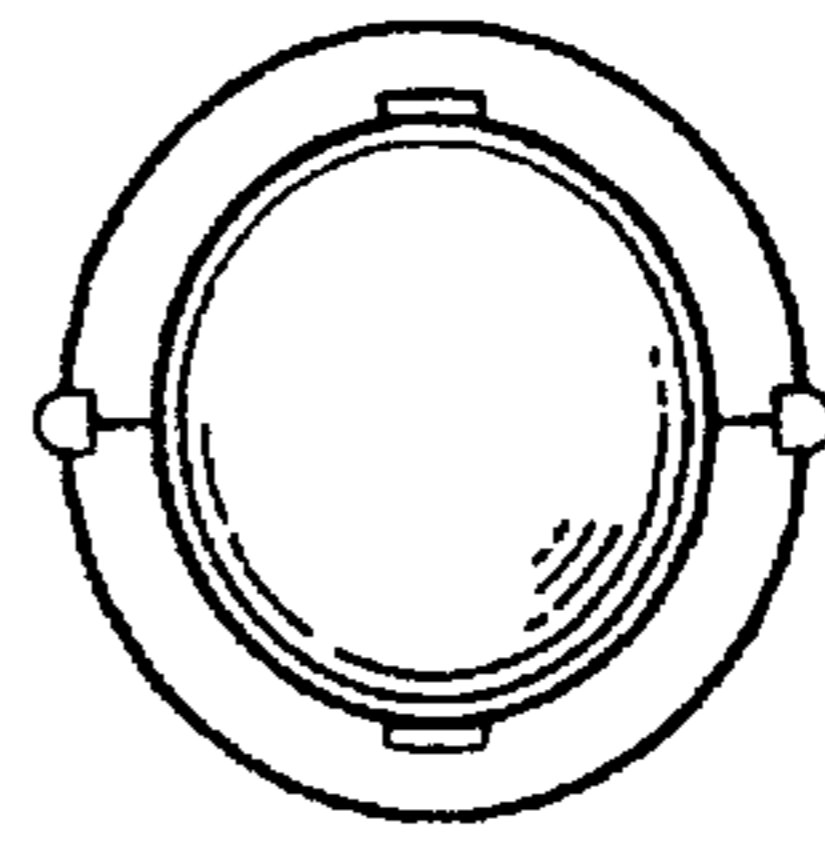


FIG. 6

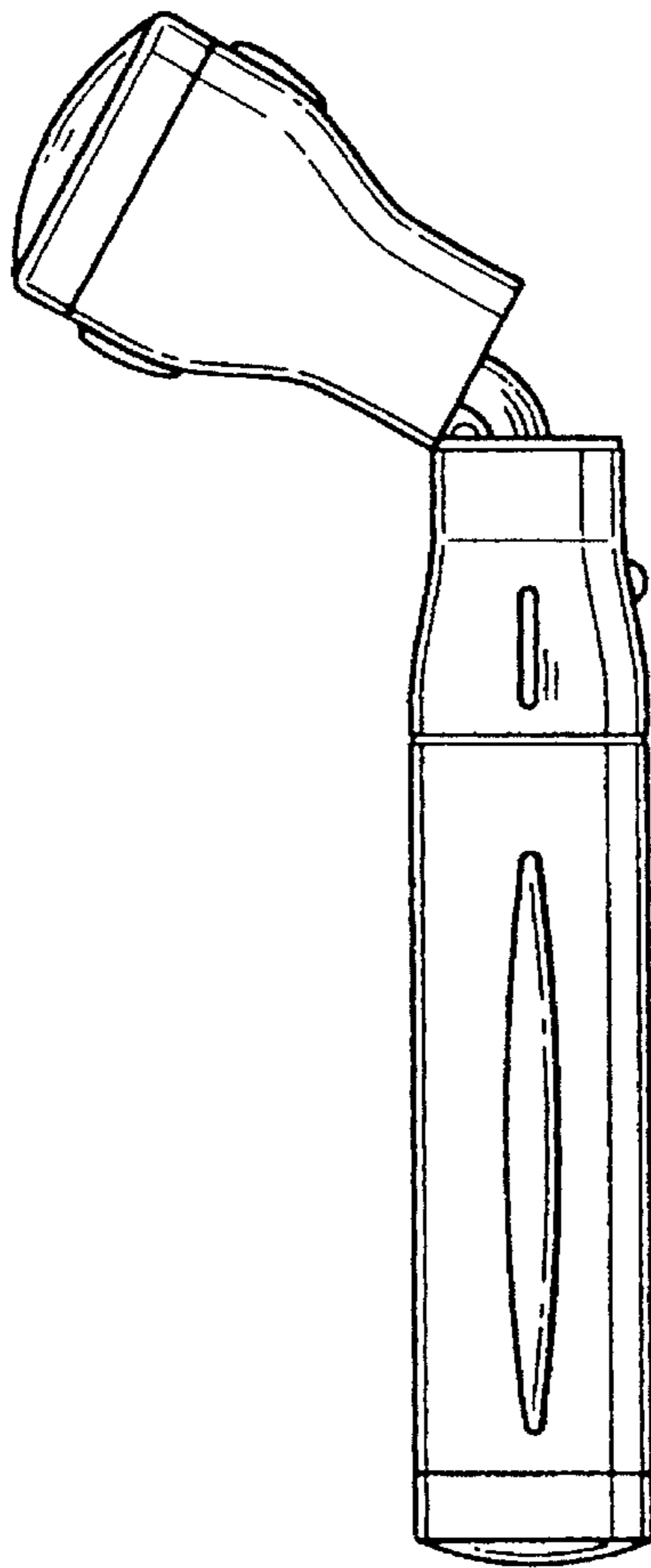


FIG. 7