



US00D373209S

United States Patent [19]

Yuen

[11] Patent Number: Des. 373,209

[45] Date of Patent: **Aug. 27, 1996

[54] COMBINED FLUORESCENT LANTERN AND FLASHLIGHT

[75] Inventor: Se K. Yuen, Kowloon, Hong Kong

[73] Assignee: John Manufacturing Ltd., Kowloon, Hong Kong

[**] Term: 14 Years

[21] Appl. No.: 23,285

[22] Filed: May 23, 1994

[30] Foreign Application Priority Data

Nov. 23, 1993 [GB] United Kingdom 2035396

[52] U.S. Cl. D26/42; D26/44

[58] Field of Search D26/37-50; 362/157, 362/158, 183, 184, 187-202

[56] References Cited

U.S. PATENT DOCUMENTS

D. 271,240	11/1983	Tang	D26/42
D. 288,617	3/1987	Yuen	D26/42
D. 293,482	12/1987	Geissler	D26/40 X
3,331,958	7/1967	Adler	362/157

Primary Examiner—Susan J. Lucas
Attorney, Agent, or Firm—John T. McNelis

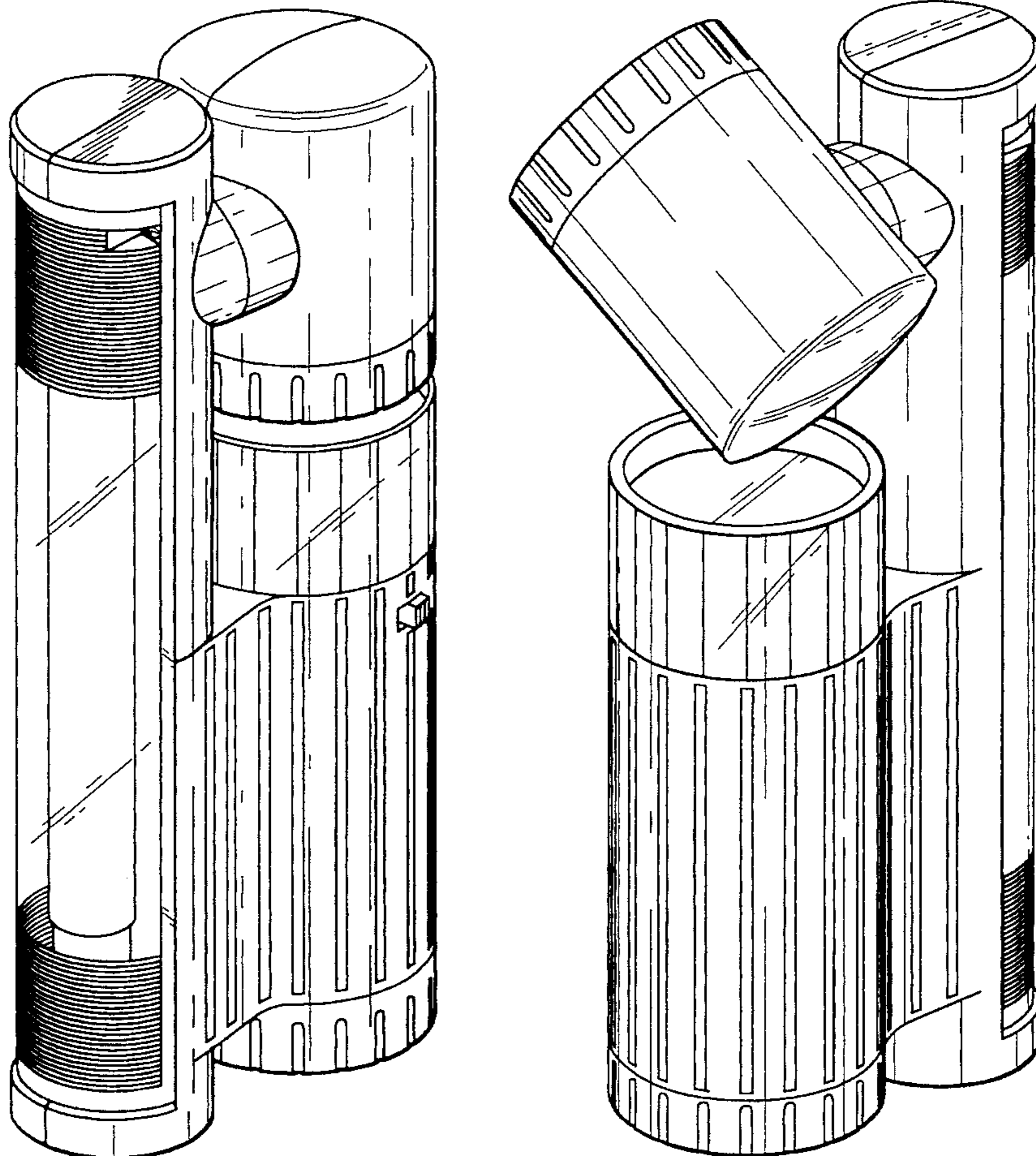
[57] CLAIM

The ornamental design for a combined fluorescent lantern and flashlight, as shown and described.

DESCRIPTION

FIG. 1 is a top front and left-side perspective view of a combined fluorescent lantern and flashlight showing the new design with a fluorescent light in an operative position;
 FIG. 2 is a front elevational view thereof;
 FIG. 3 is a rear elevational view thereof;
 FIG. 4 is a front elevational view thereof with the fluorescent light in an inoperative position;
 FIG. 5 is a rear elevational view thereof with a rotatable lamp in a rotated position;
 FIG. 6 is a perspective view of the design with the rotatable lamp in the rotated position;
 FIG. 7 is a right side elevational view thereof with the fluorescent light in an operative position;
 FIG. 8 is a bottom plan view thereof;
 FIG. 9 is a top plan view thereof;
 FIG. 10 is a left side elevational view thereof with the fluorescent light in an operative position; and,
 FIG. 11 is a top-front and left-side perspective view thereof with the fluorescent light in an inoperative position.

1 Claim, 7 Drawing Sheets



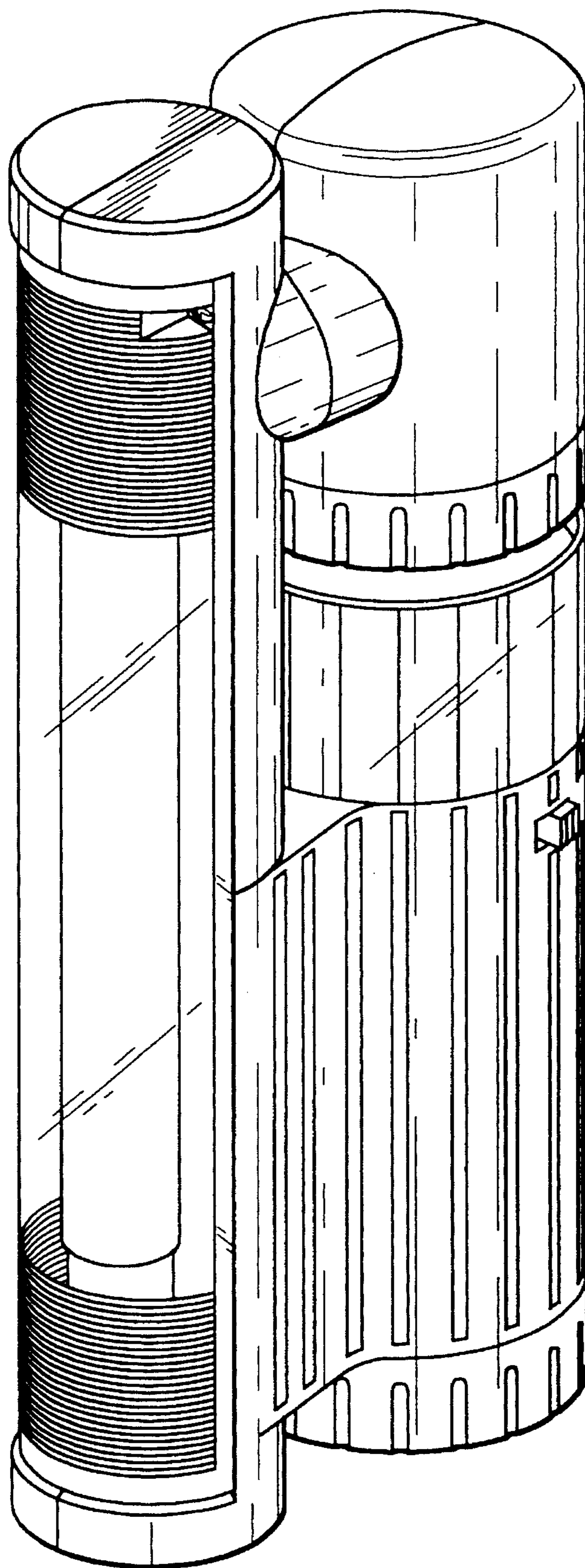


FIG. 1

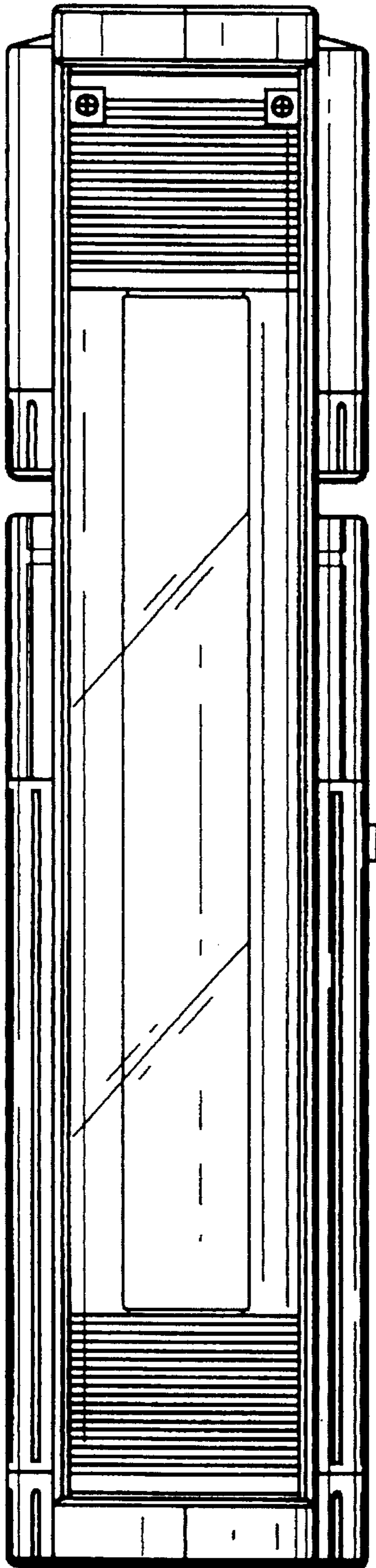


FIG. 2

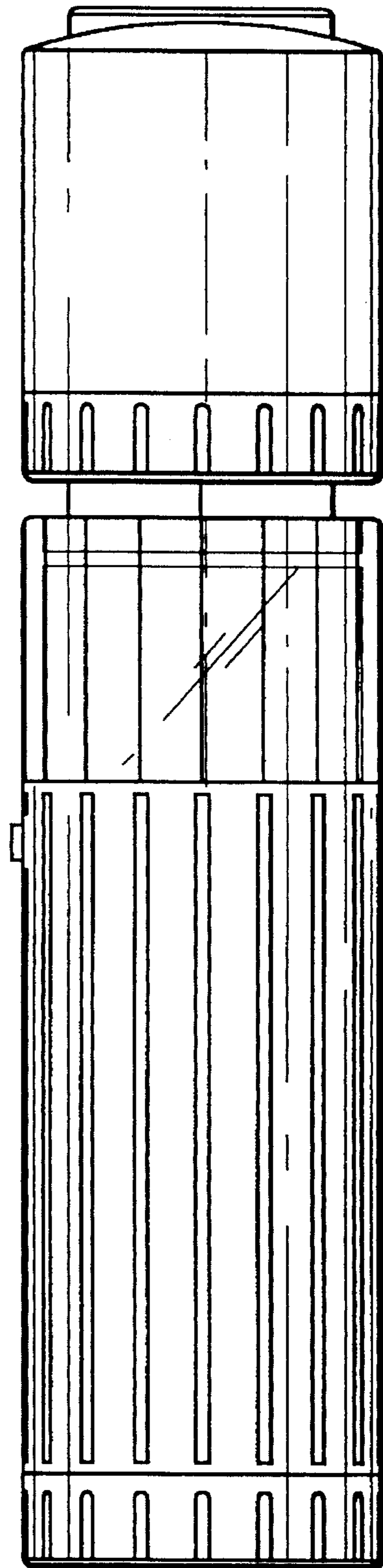


FIG. 3

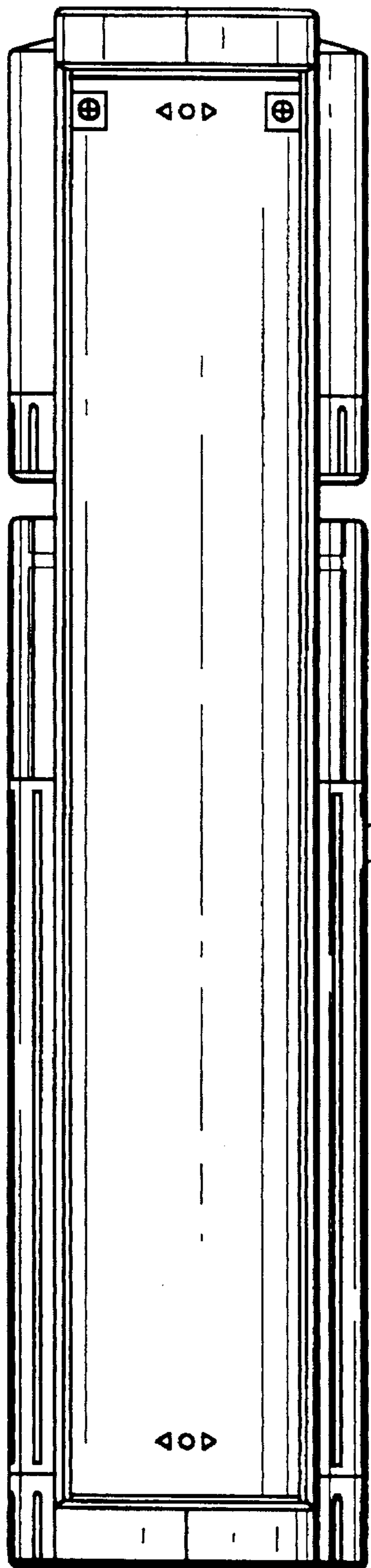


FIG. 4

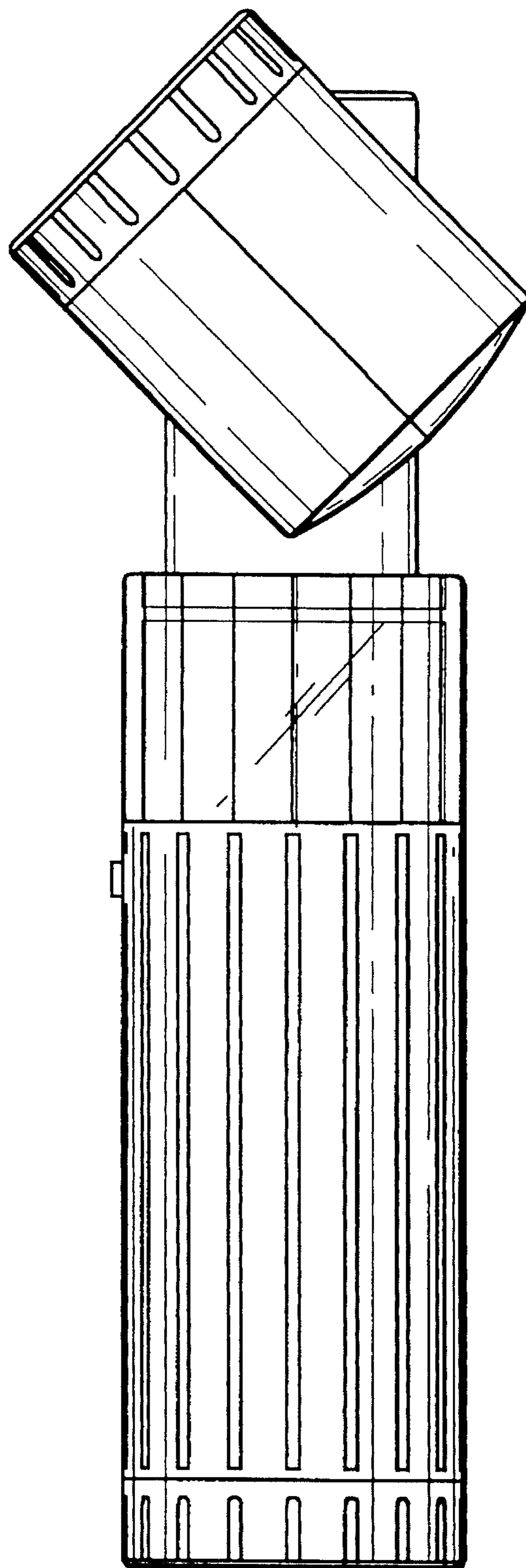


FIG. 5

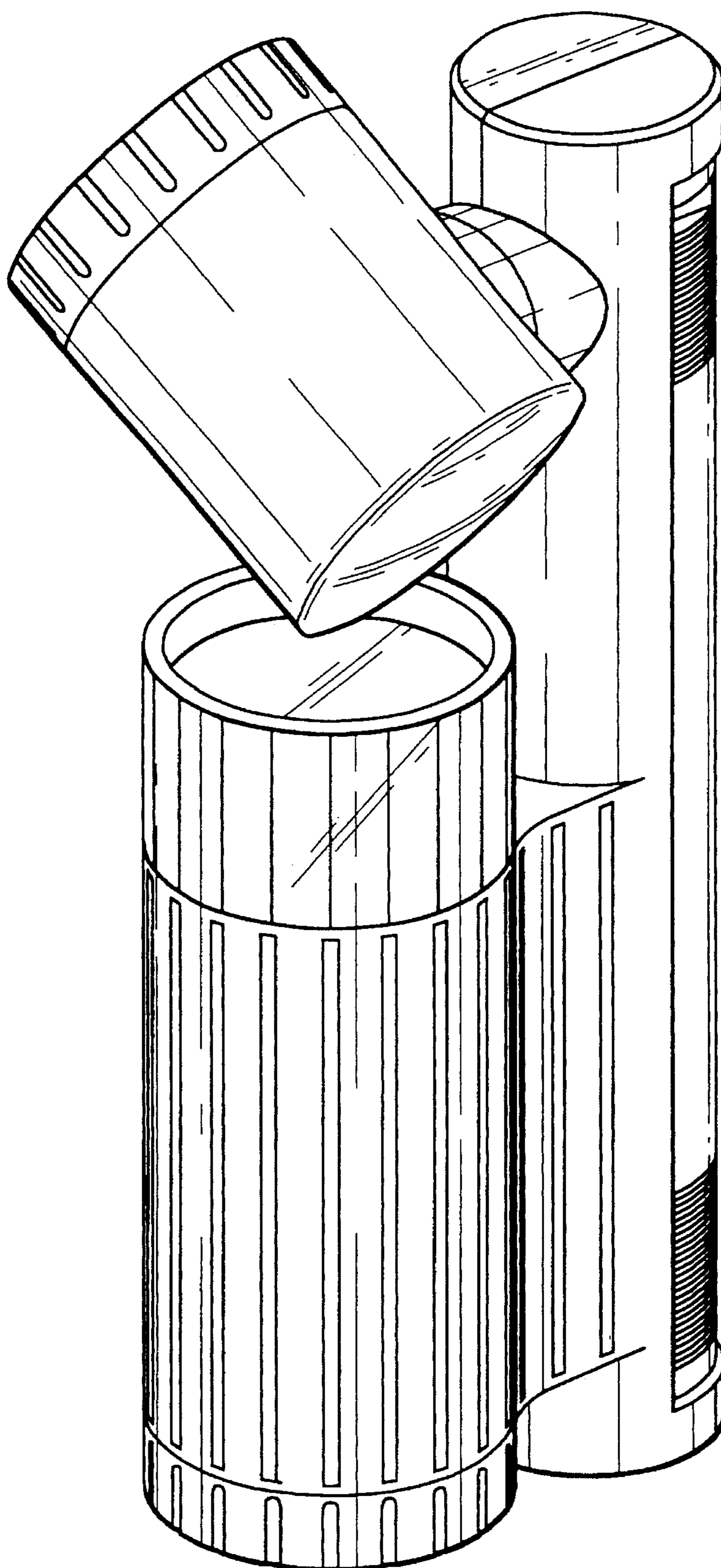


FIG. 6

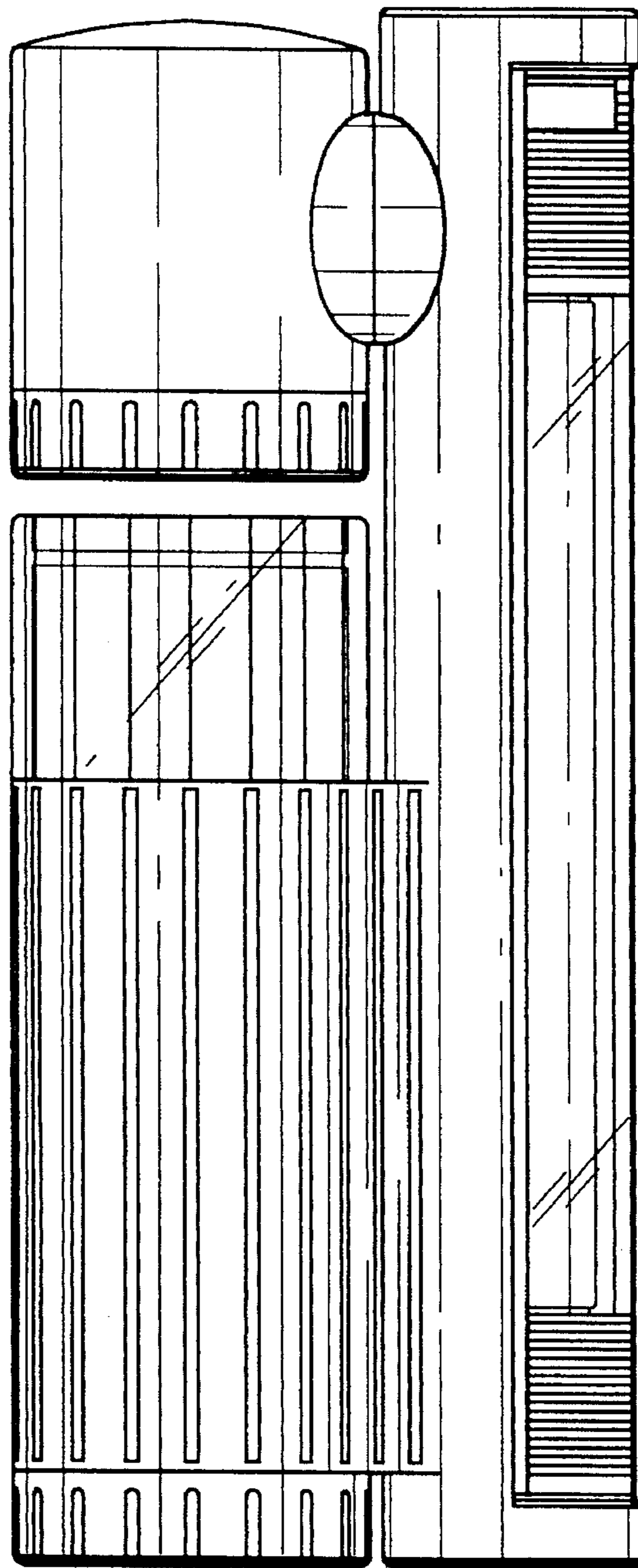


FIG. 7

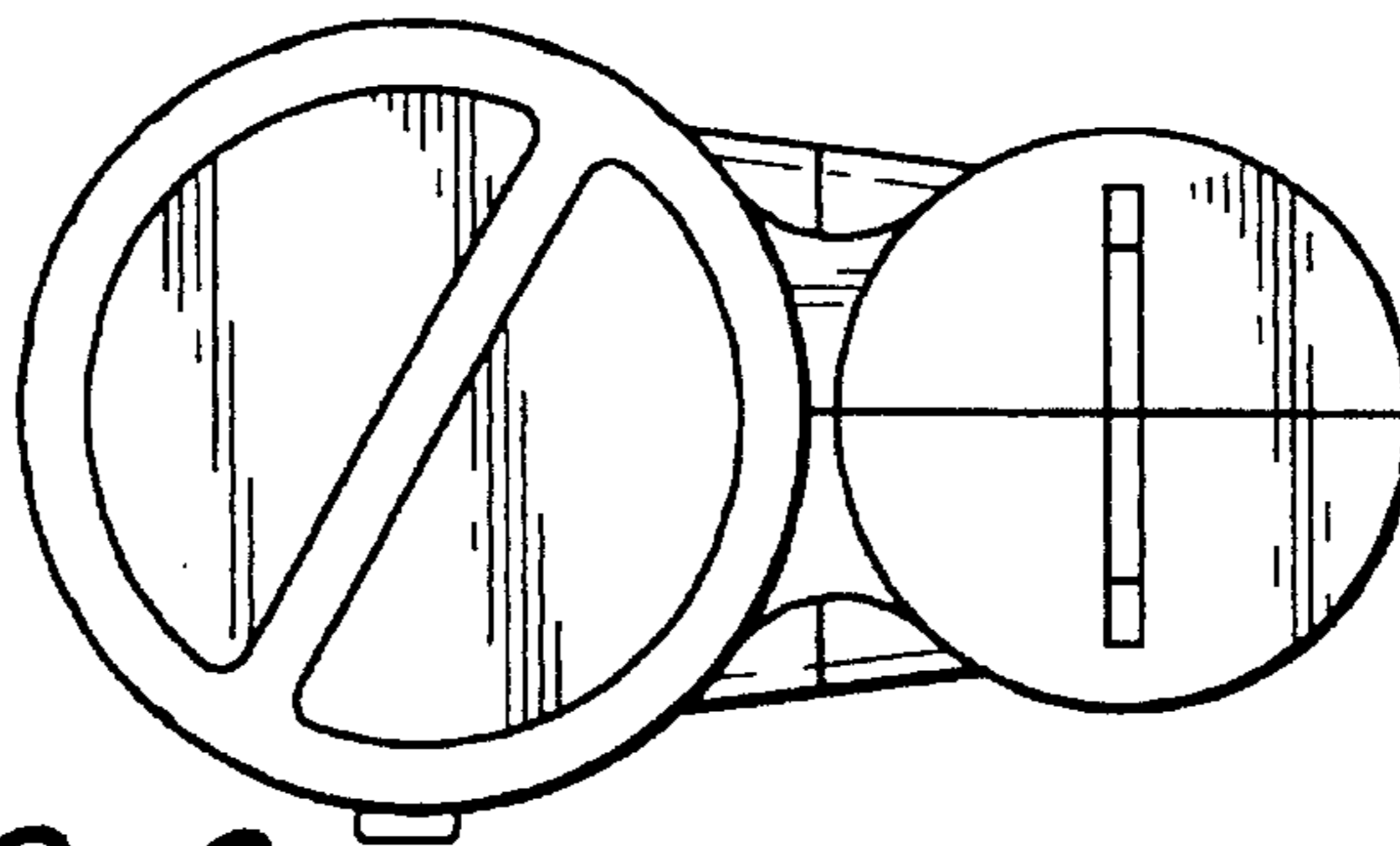


FIG. 8

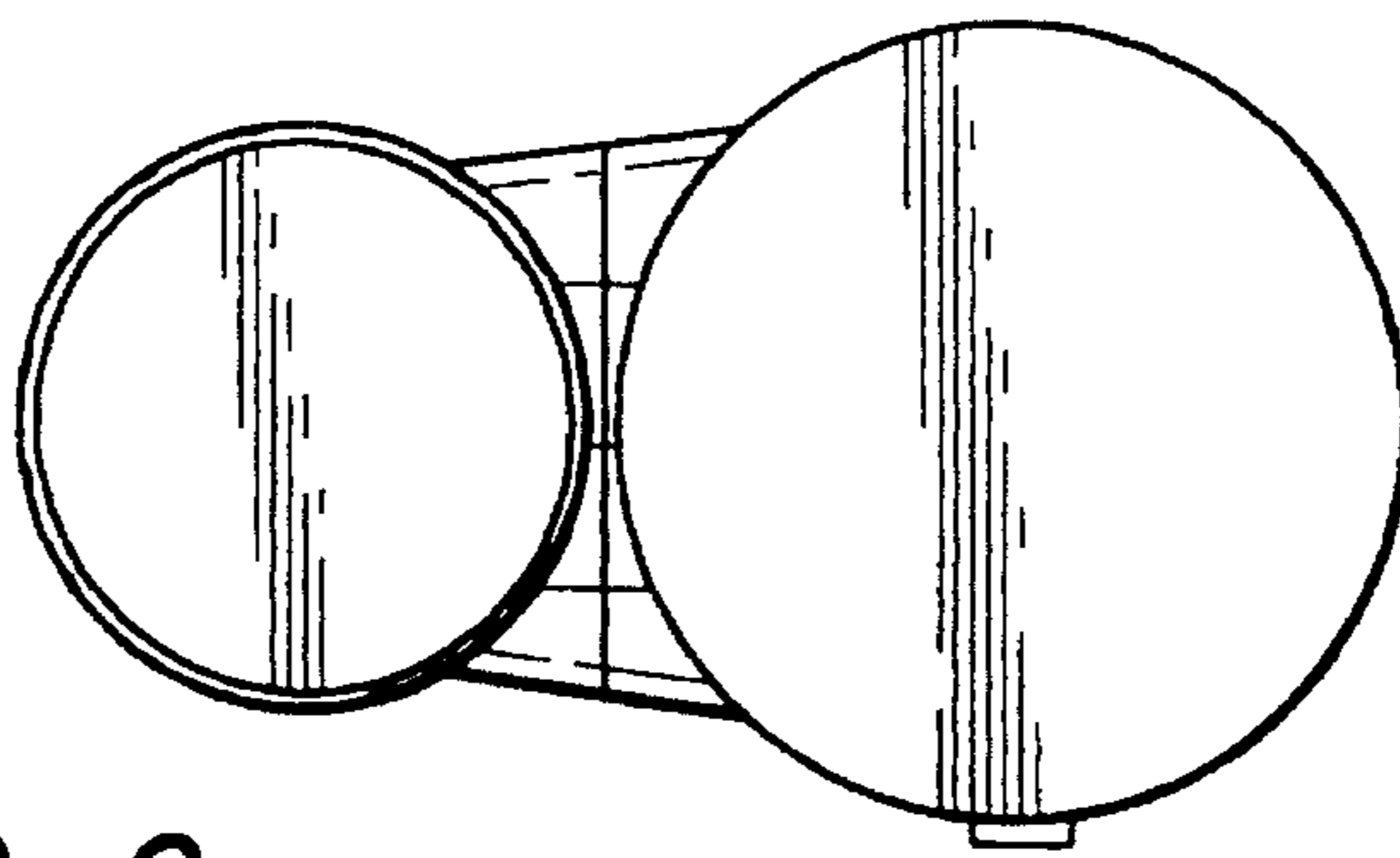


FIG. 9

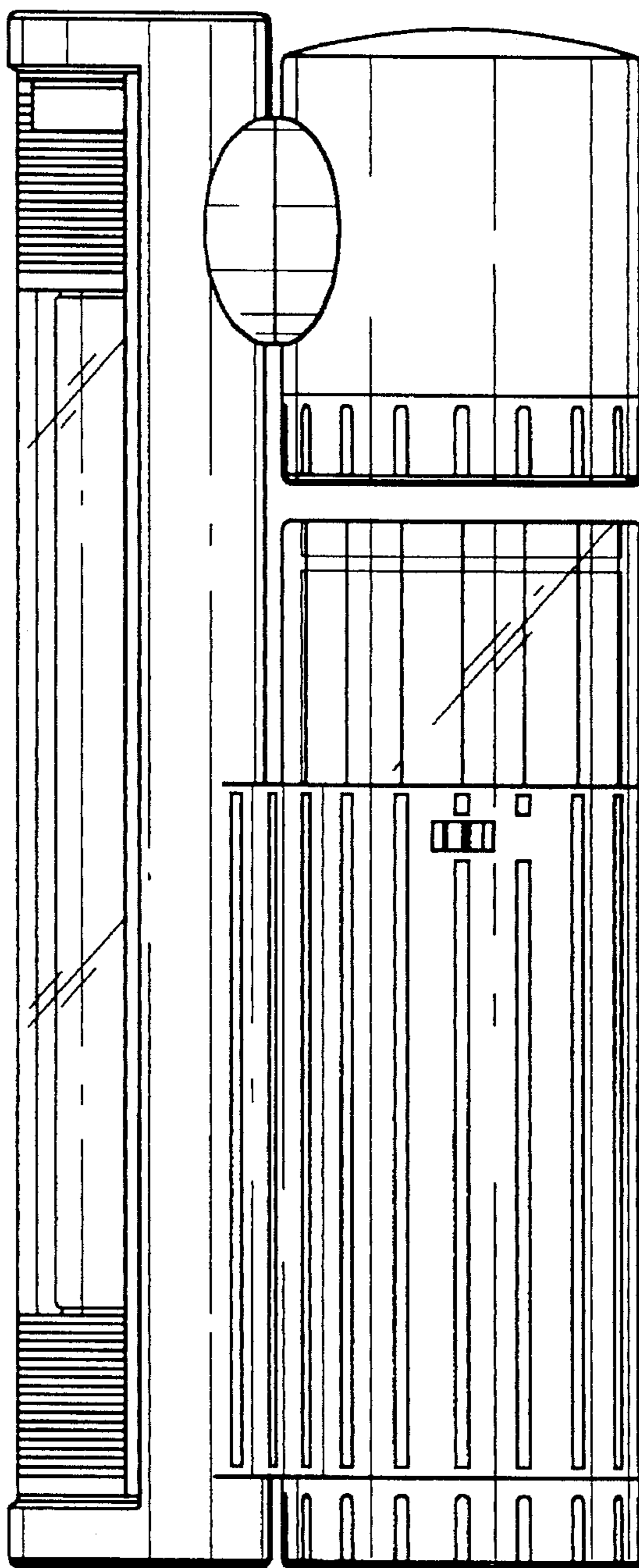


FIG. 10

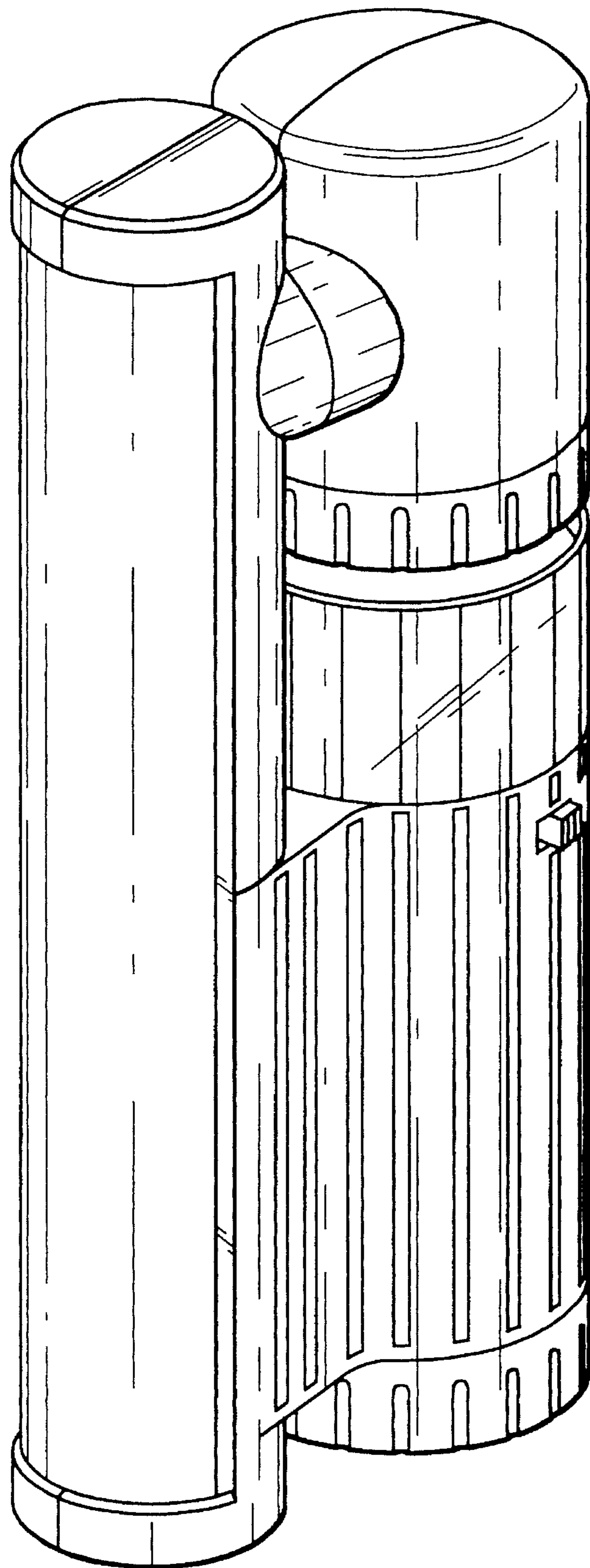


FIG. 11