



US00D373206S

United States Patent [19]

Wandler et al.

[11] Patent Number: **Des. 373,206**

[45] Date of Patent: ****Aug. 27, 1996**

[54] LOW-VOLTAGE TRACK LIGHTING FIXTURE

[75] Inventors: **Donald Wandler**, Racine, Wis.; **Julito A. Bustamante**, Waukegan, Ill.; **Kent Solberg**; **Cory Ternberg**, both of Racine, Wis.

[73] Assignee: **Ruud Lighting, Inc.**, Racine, Wis.

[**] Term: **14 Years**

[21] Appl. No.: **44,142**

[22] Filed: **Sep. 19, 1995**

[52] U.S. Cl. **D26/63**

[58] Field of Search D26/61, 63, 65; 362/362, 269, 275, 418, 419, 421, 427

[56] References Cited

U.S. PATENT DOCUMENTS

D. 292,235 10/1987 Roos D26/65

OTHER PUBLICATIONS

Home Lighting & Accessories, Sep. 1992, p. 122, Capri Lighting Track Light.

Lighting Design & Application, 1987, p. 26, Staff Lighting Track Luminaire.

Primary Examiner—Susan J. Lucas
Attorney, Agent, or Firm—Jansson & Shupe, Ltd.

[57] CLAIM

The ornamental design for a low-voltage track lighting fixture, as shown.

DESCRIPTION

FIG. 1 is a front perspective view of the design of this application;

FIG. 2 is a rear perspective view of the design of this application;

FIG. 3 is a top plan view of the design of this application;

FIG. 4 is a front elevation of the design of this application;

FIG. 5 is a bottom plan view of the design of this application;

FIG. 6 is a right side elevation of the design of this application;

FIG. 7 is a left side elevation of the design of this application; and,

FIG. 8 is a rear elevation of the design of this invention.

1 Claim, 3 Drawing Sheets

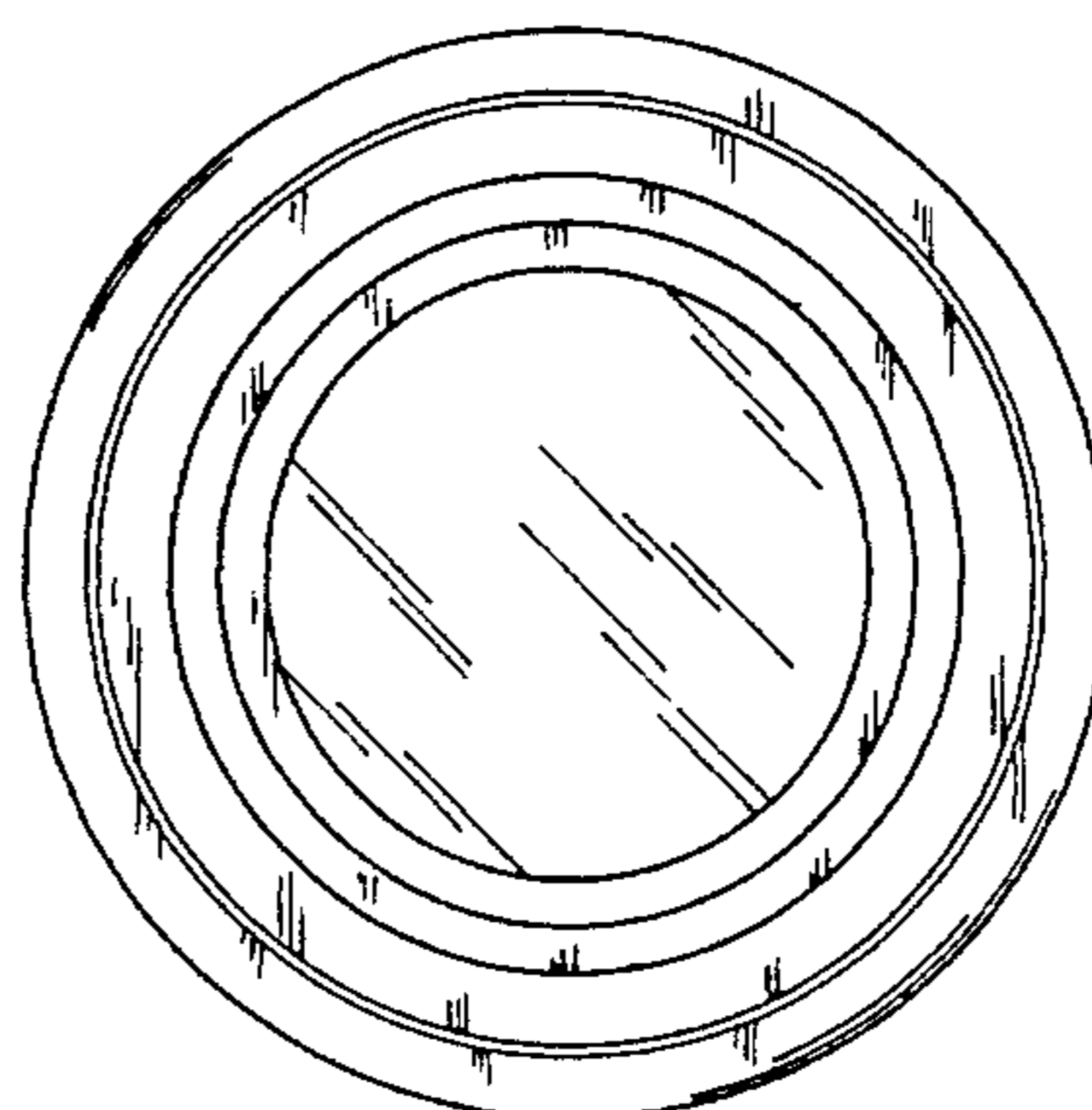
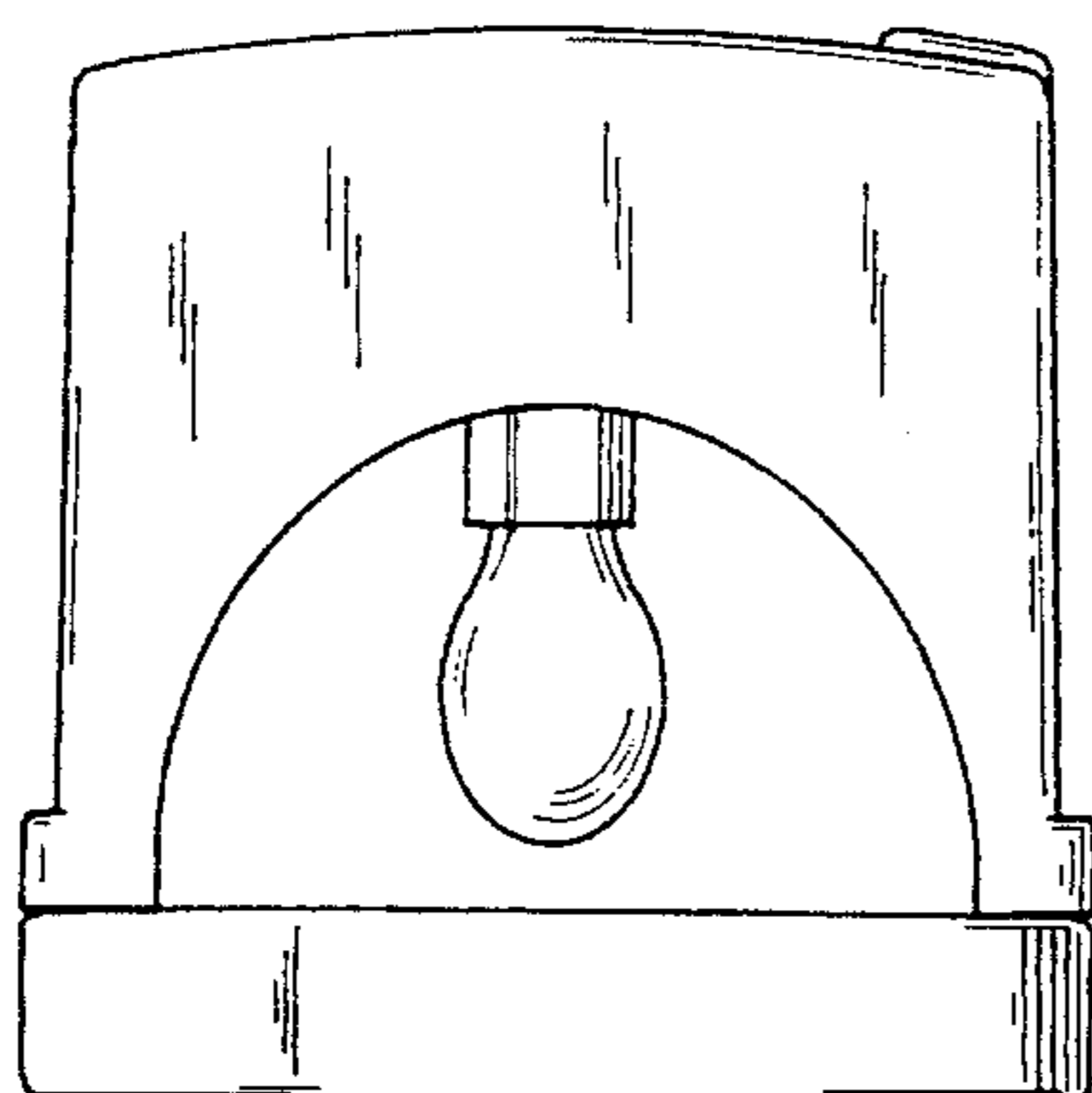
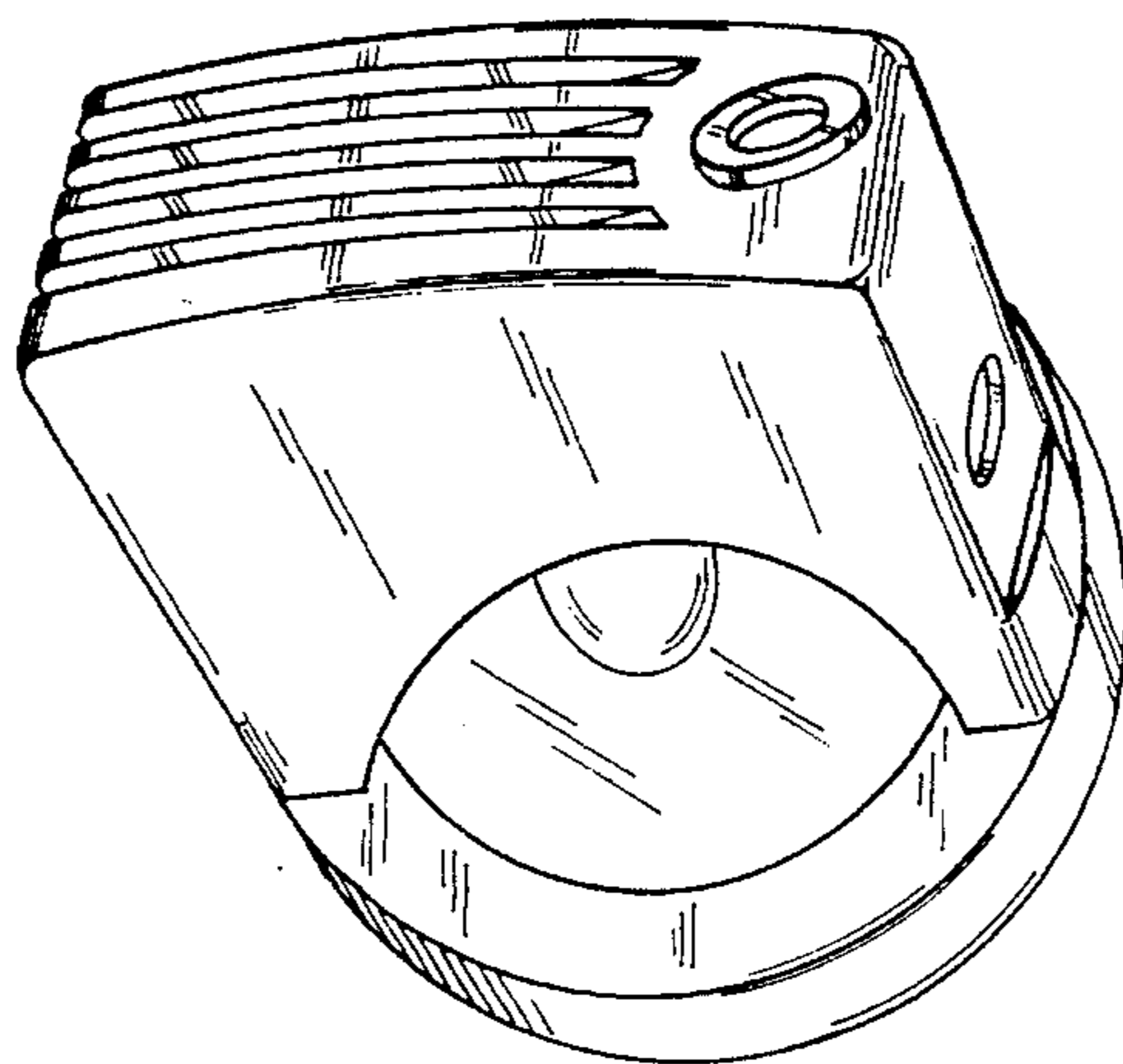


FIG. 1

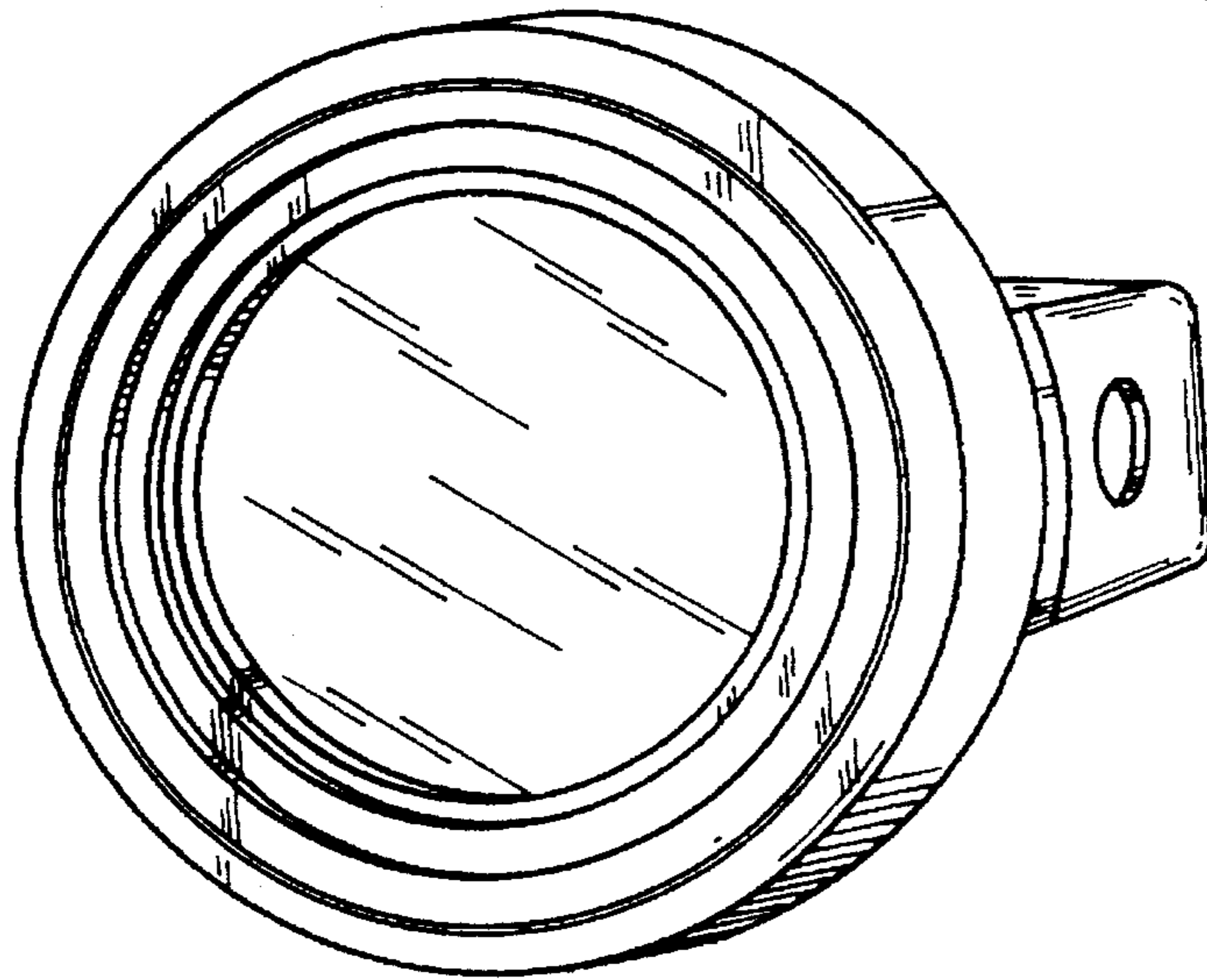
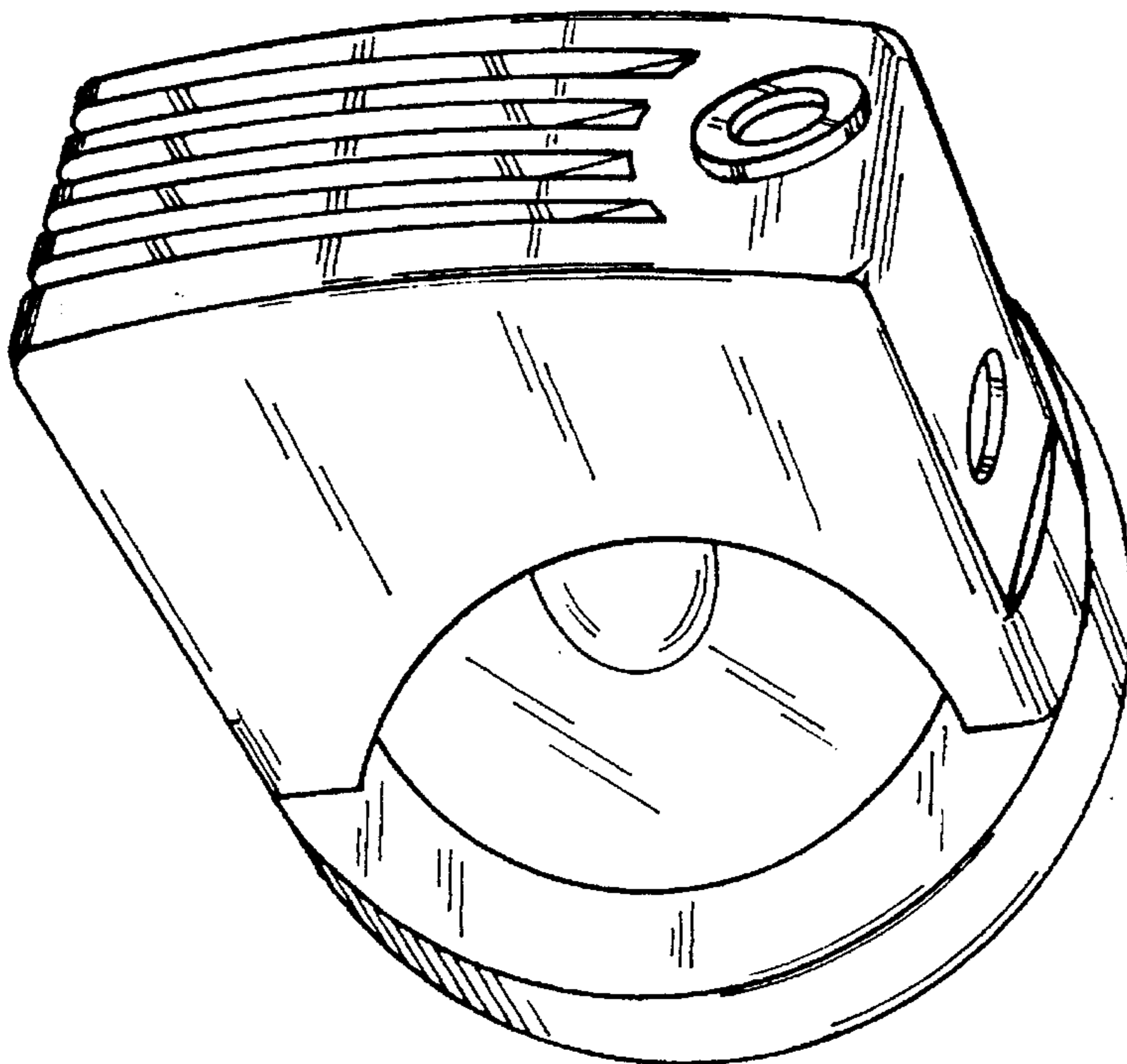


FIG. 2



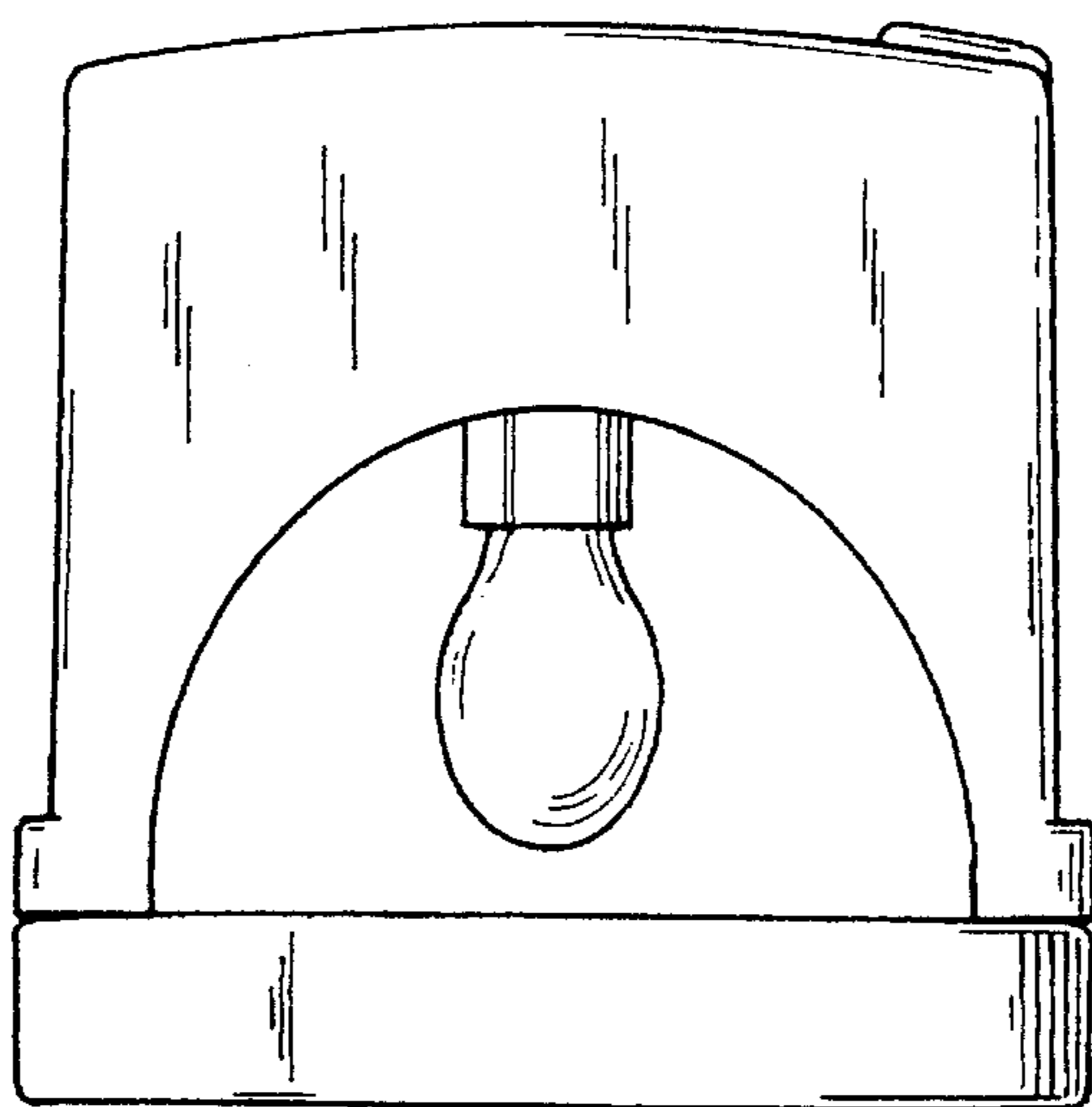


FIG. 3

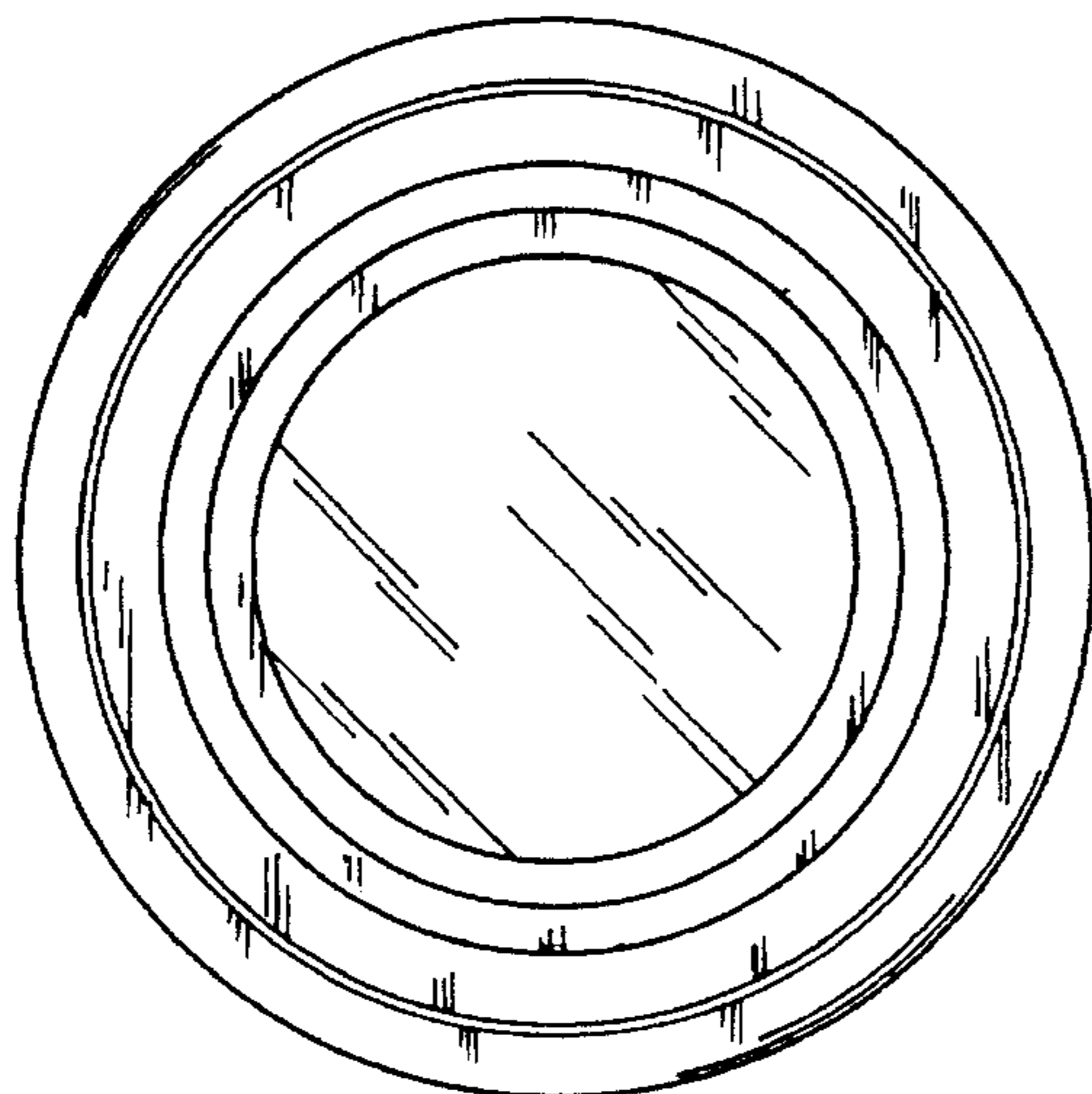


FIG. 4

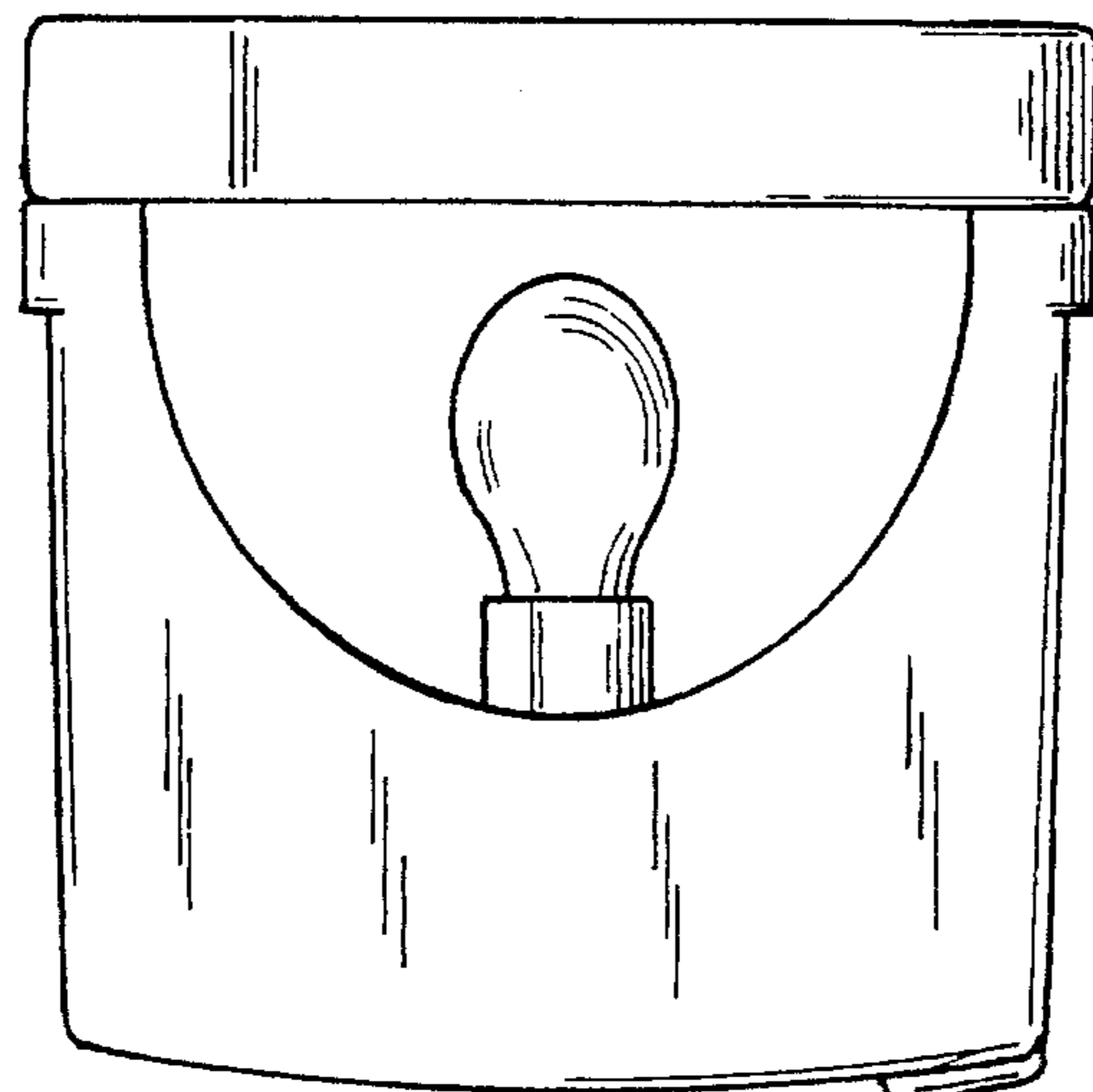


FIG. 5

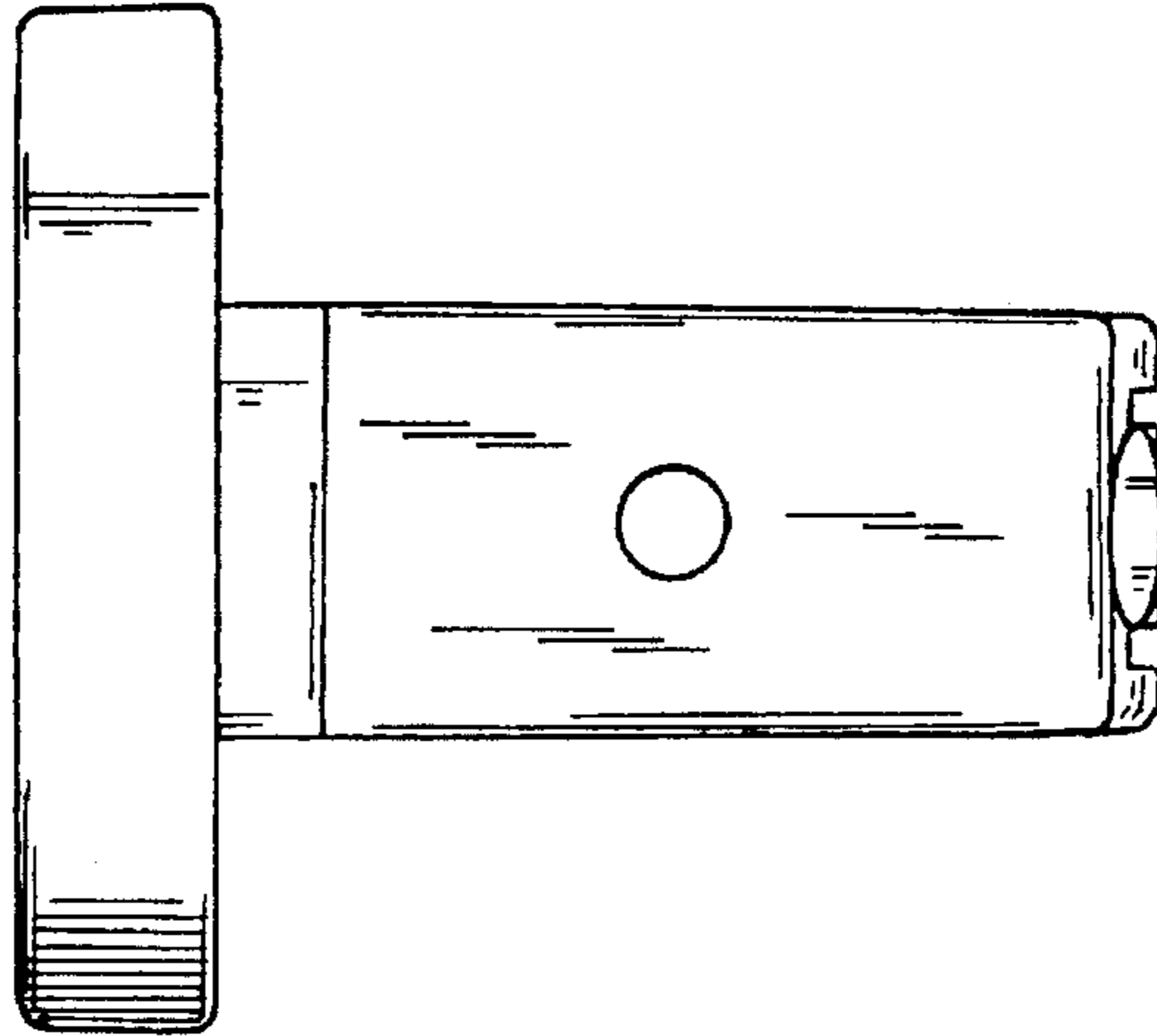


FIG. 6

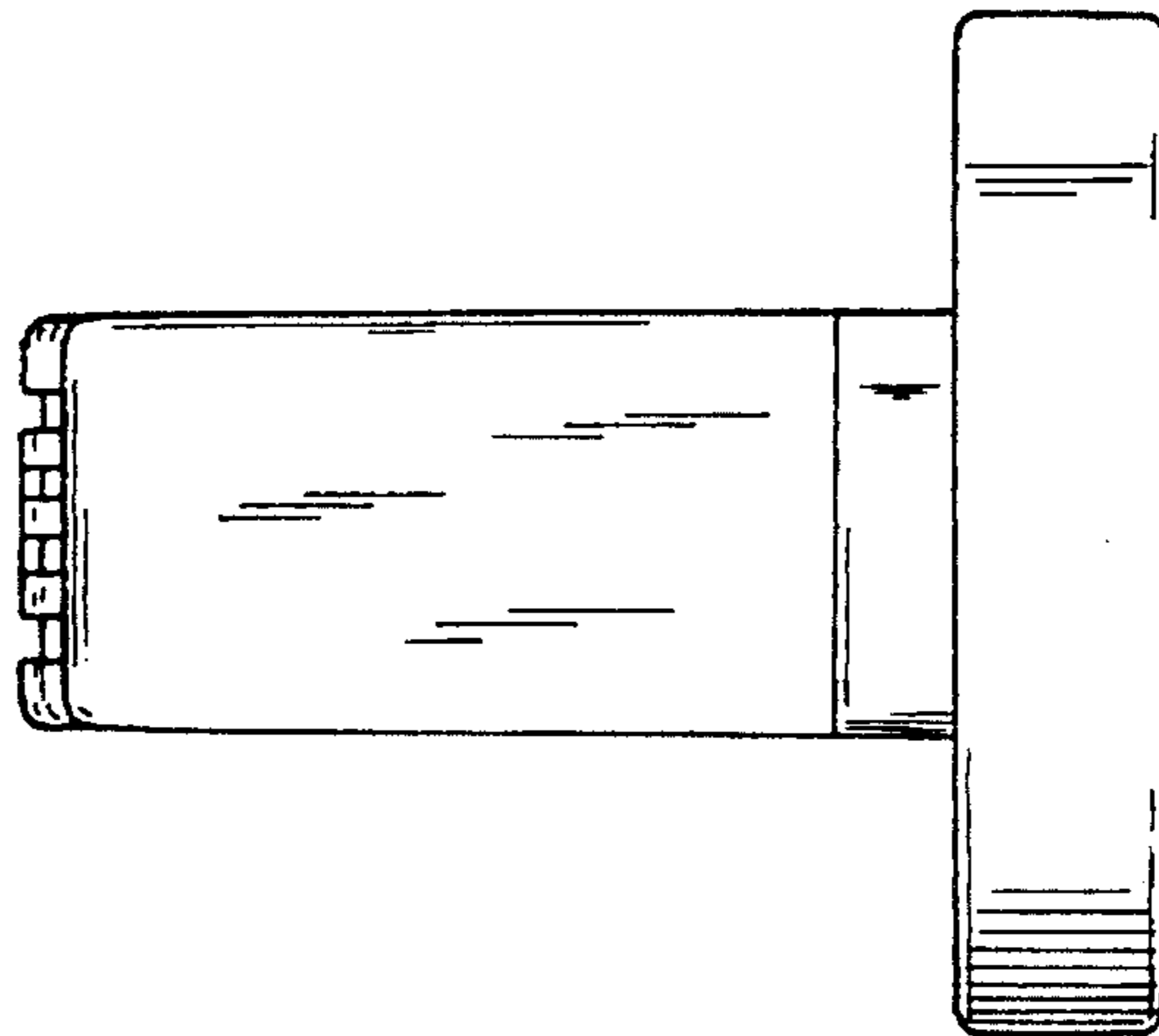


FIG. 7

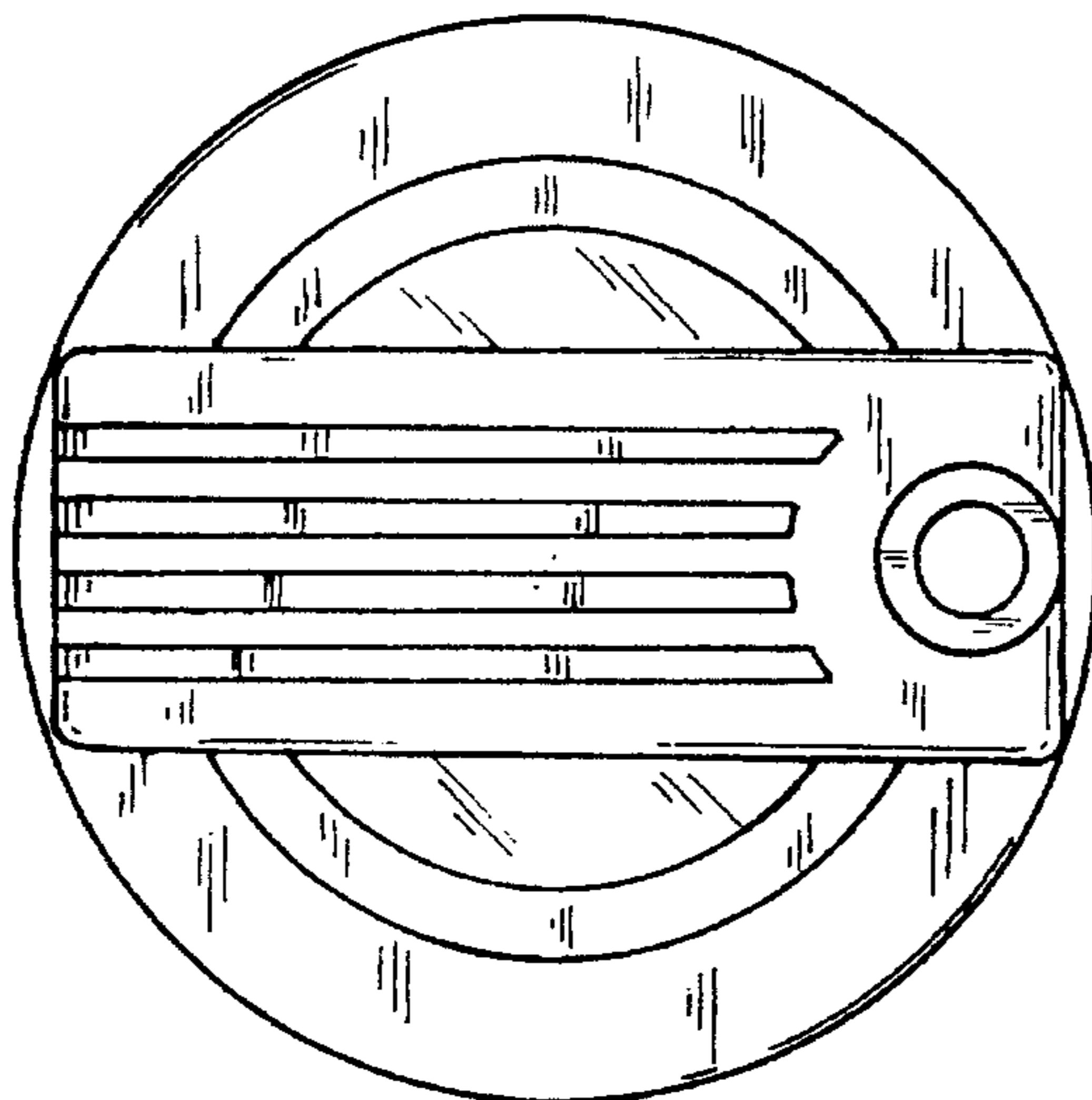


FIG. 8