



US00D373205S

United States Patent [19]
Caley

[11] **Patent Number: Des. 373,205**

[45] **Date of Patent: *** Aug. 27, 1996**

[54] **TILE EDGING STRIP**

[75] Inventor: **Malcolm Caley**, Burton Upon Trent, England

[73] Assignee: **McKechnie UK Limited**, Walsall, England

[*] Notice: The portion of the term of this patent subsequent to Nov. 14, 2009, has been disclaimed.

[**] Term: **14 Years**

[21] Appl. No.: **32,577**

[22] Filed: **Dec. 21, 1994**

[30] **Foreign Application Priority Data**

Jun. 30, 1994 [GB] United Kingdom 2040052

[52] **U.S. Cl.** **D25/164**

[58] **Field of Search** D25/68-69, 122, D25/125, 120, 164, 119, 199; D6/587; 52/179, 181, 220.5, 391-393, 396.1, 396.04, 459, 716.1, 718.01, 287-288, 231.7, 230.6; 428/33, 43

[56] **References Cited**

U.S. PATENT DOCUMENTS

D. 101,762	11/1936	Bonnell	D25/164
2,835,937	5/1958	Hobbs	52/181
3,848,379	11/1974	Hazen	52/220.5
4,058,942	11/1977	Naka	52/181

Primary Examiner—Doris Clark
Attorney, Agent, or Firm—Volpe and Koenig, P.C.

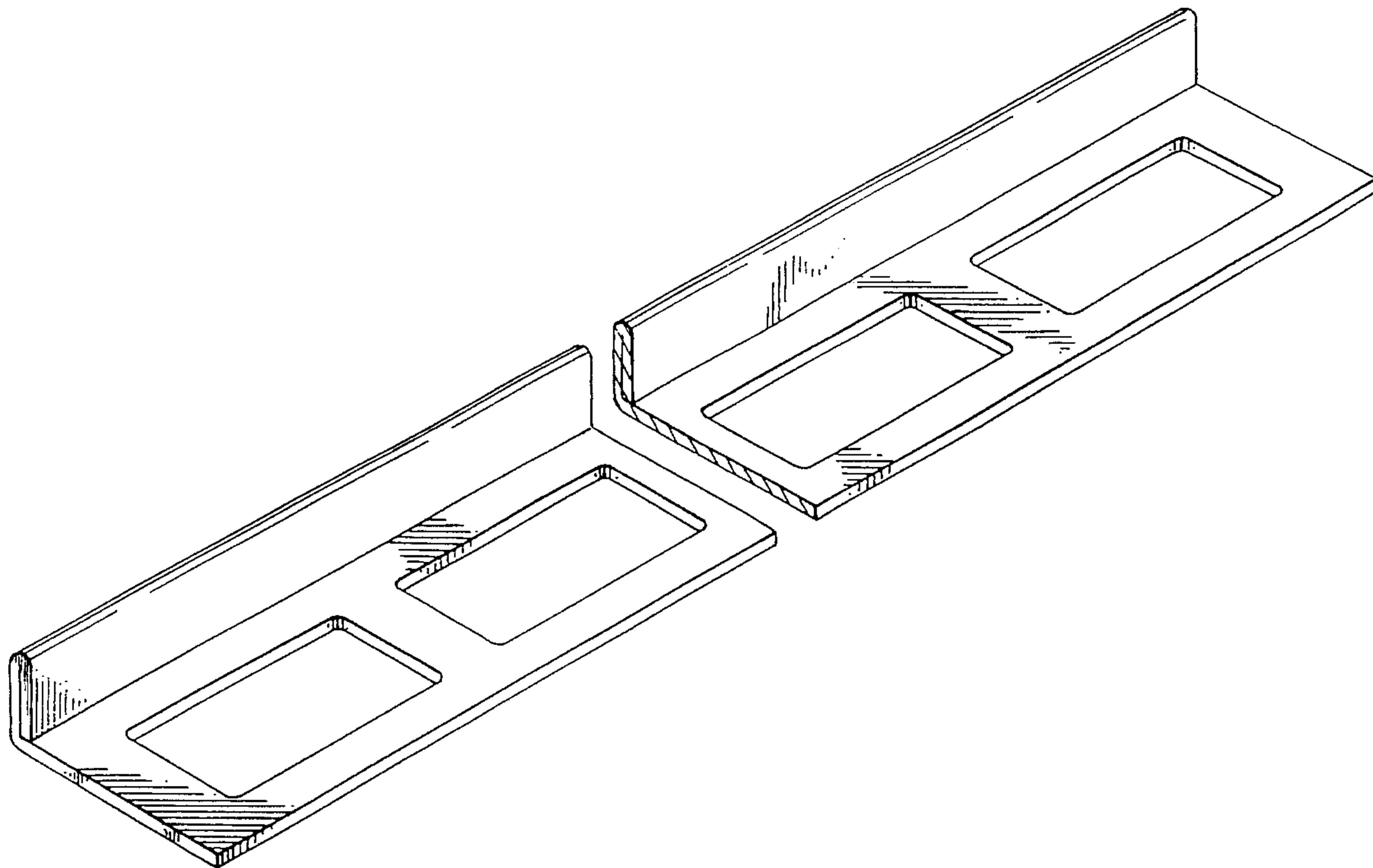
[57] **CLAIM**

The ornamental design for a tile edging strip, as shown and described.

DESCRIPTION

FIG. 1 is a perspective view from one end of the tile edging strip which is broken in the center to indicate indeterminate length, and the pattern of the openings is repeated throughout the width thereof; and, FIG. 2 is an enlarged view of the other end. The bottom of the tile edging strip is substantially identical to the top.

1 Claim, 1 Drawing Sheet



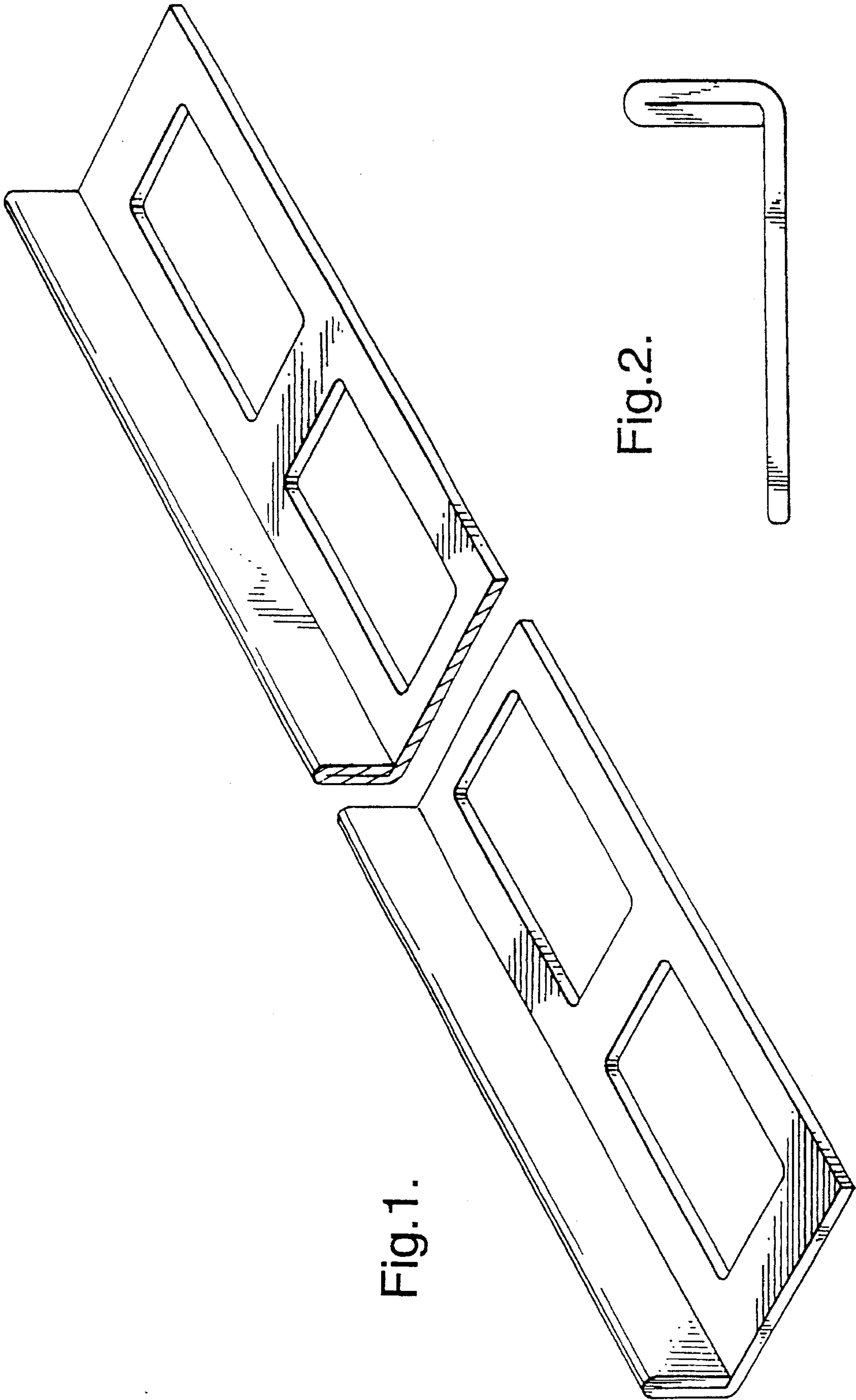


Fig.1.

Fig.2.