



US00D373204S

United States Patent [19] Blain

[11] Patent Number: Des. 373,204

[45] Date of Patent: **Aug. 27, 1996

[54] VACUUM CONNECTED FLOOR MAT

[76] Inventor: **Roger Blain**, 375 NE. Main St., P.O. Box 1058, E. Douglas, Mass. 01516

[**] Term: 14 Years

[21] Appl. No.: 32,316

[22] Filed: Dec. 15, 1994

[52] U.S. Cl. D25/138; D6/582; D32/21

[58] Field of Search D25/55, 68, 69, D25/138, 199; D6/582; D32/21.15-22-24; 502/302.1, 302.2, 302.3, 302.4, 302.5, 302.6, 302.7; 55/372, 378, DIG. 8; 15/300.1, 301

[56] **References Cited**

U.S. PATENT DOCUMENTS

3,568,239	3/1971	Hamrick	55/372	X
4,604,842	8/1986	Sukup	52/302.2	X
4,841,701	6/1989	Sukup	52/302.2	X

Primary Examiner—Antoine Duval Davis
Attorney, Agent, or Firm—Harold H. Dutton, Jr.; W. Charles L. Jamison; Diane F. Liebman

[57] **CLAIM**

The ornamental design for a vacuum connected floor mat, as shown and described.

DESCRIPTION

FIG. 1 is a perspective view of a vacuum connected floor mat showing my new design; FIG. 2 is a bottom view thereof; FIG. 3 is a front view thereof; FIG. 4 is a rear view thereof; FIG. 5 is a left side view thereof; and, FIG. 6 is a right side view thereof.

The broken lines showing portions of a door frame and adjacent floor is for illustrative purposes only and forms no part of the claimed design.

1 Claim, 4 Drawing Sheets

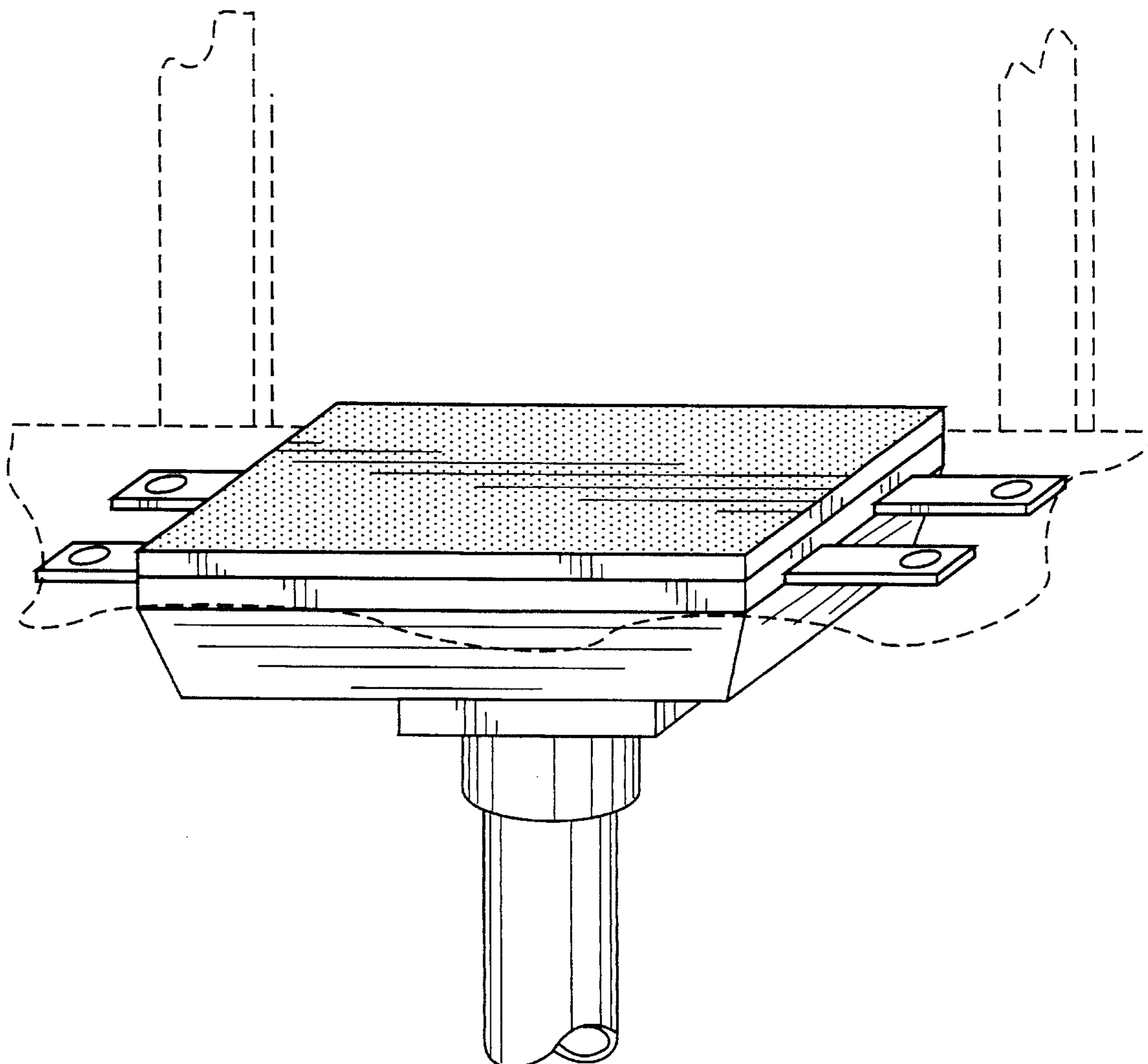
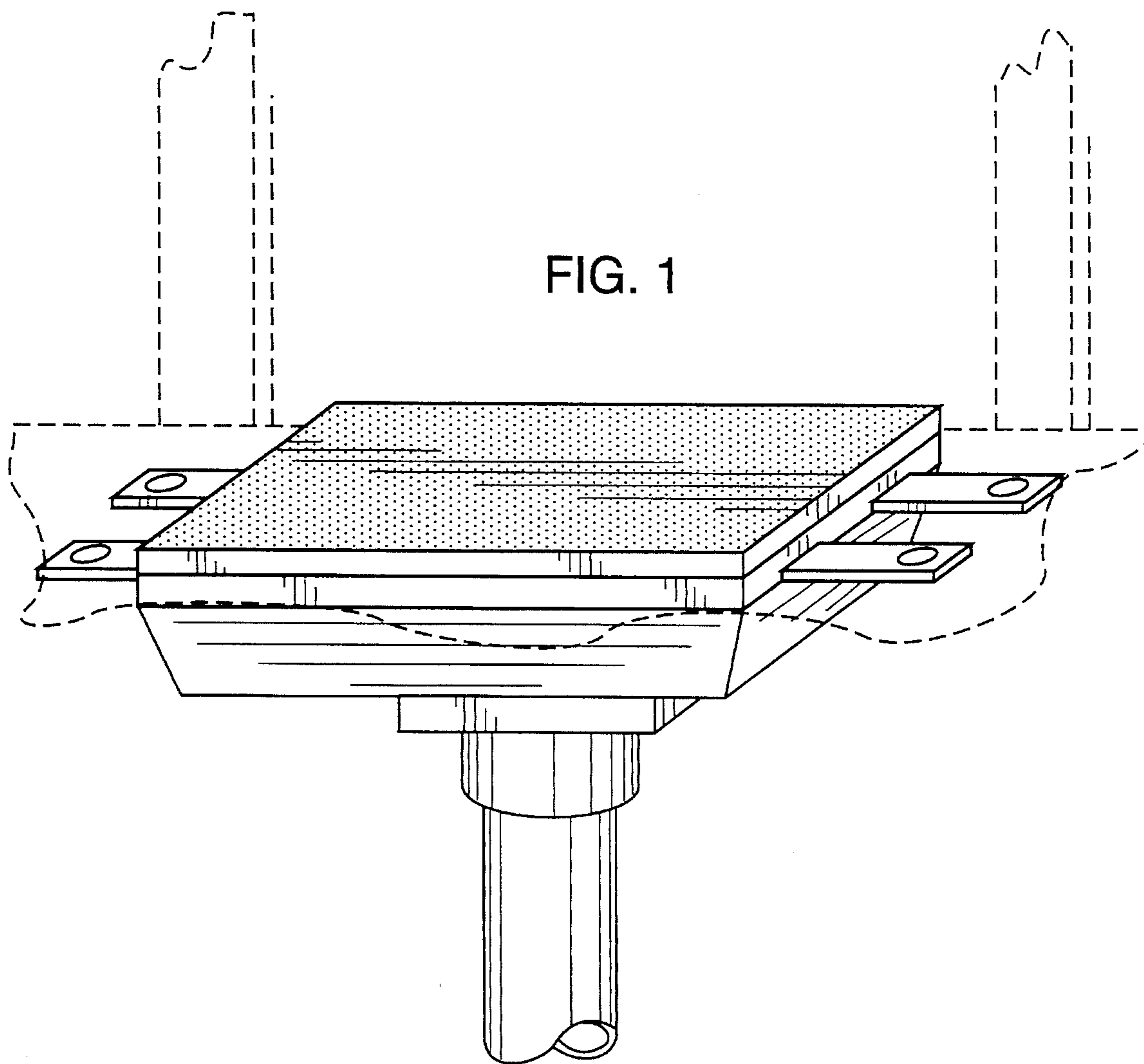


FIG. 1



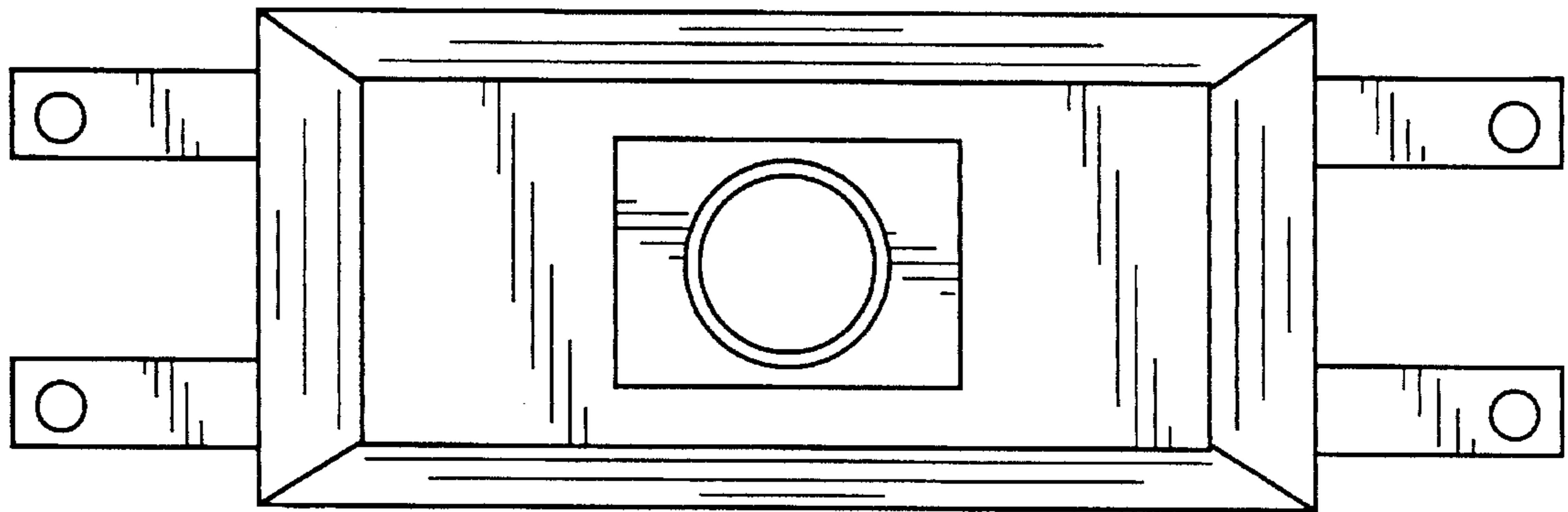


FIG. 2

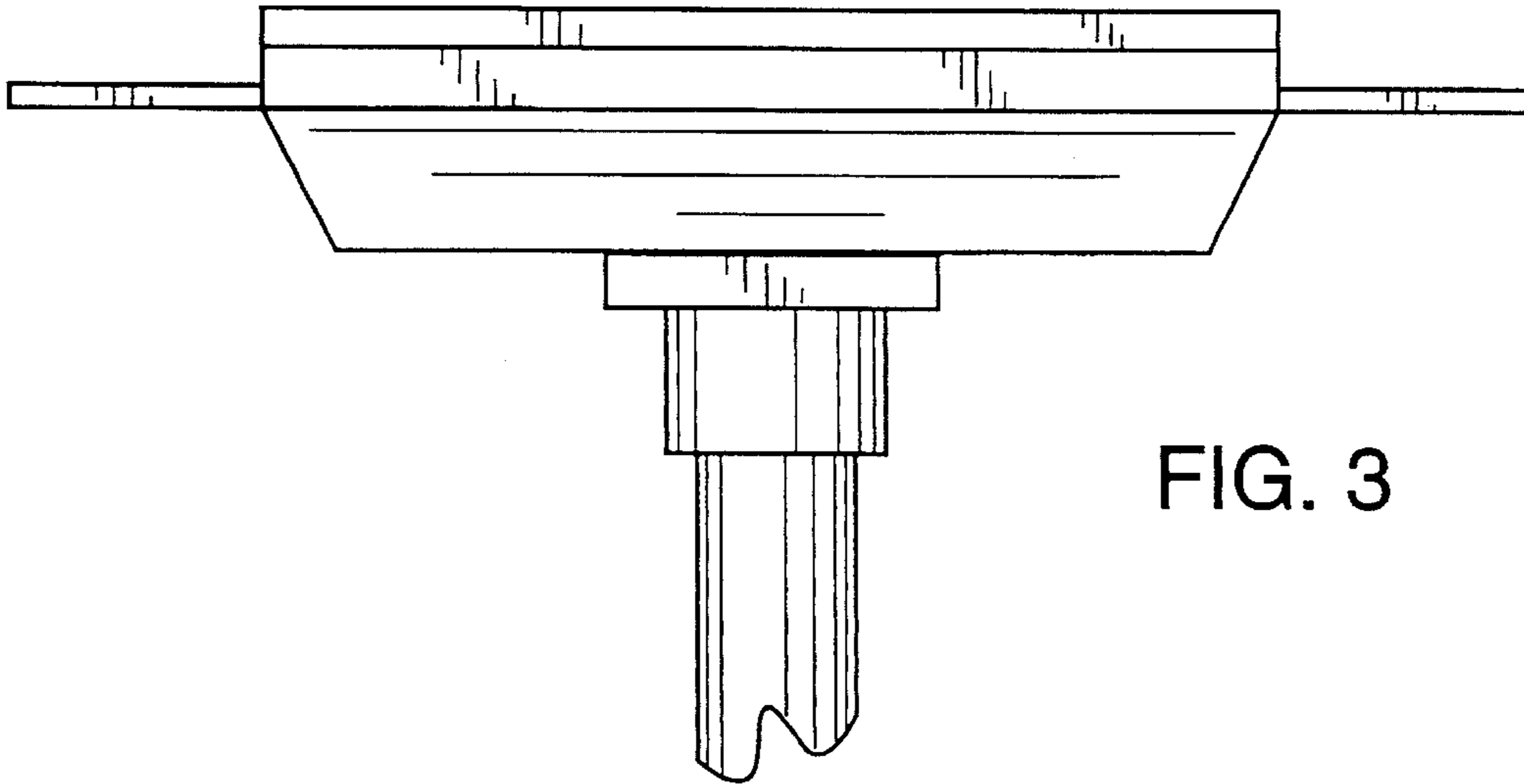


FIG. 3

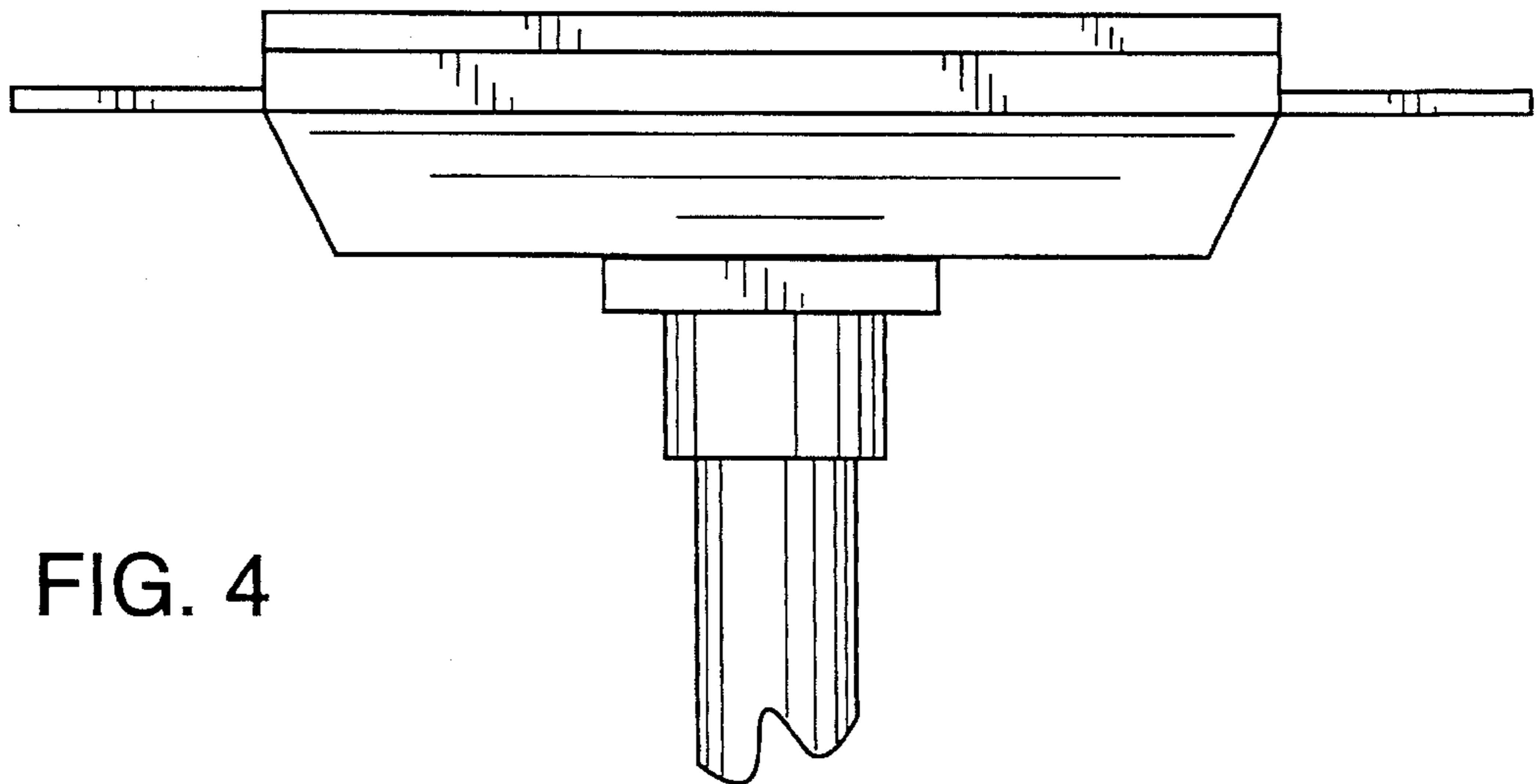


FIG. 4

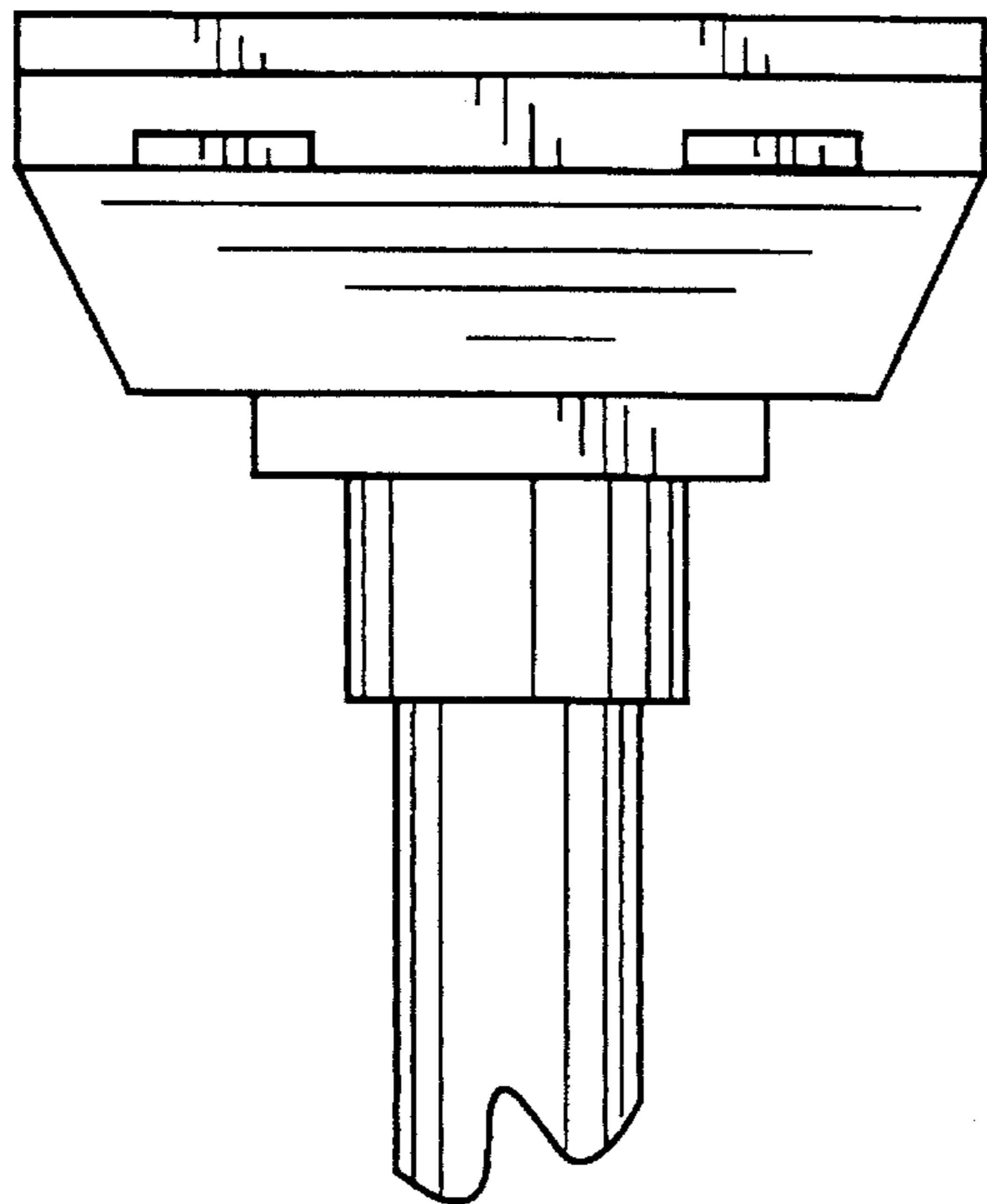


FIG. 5

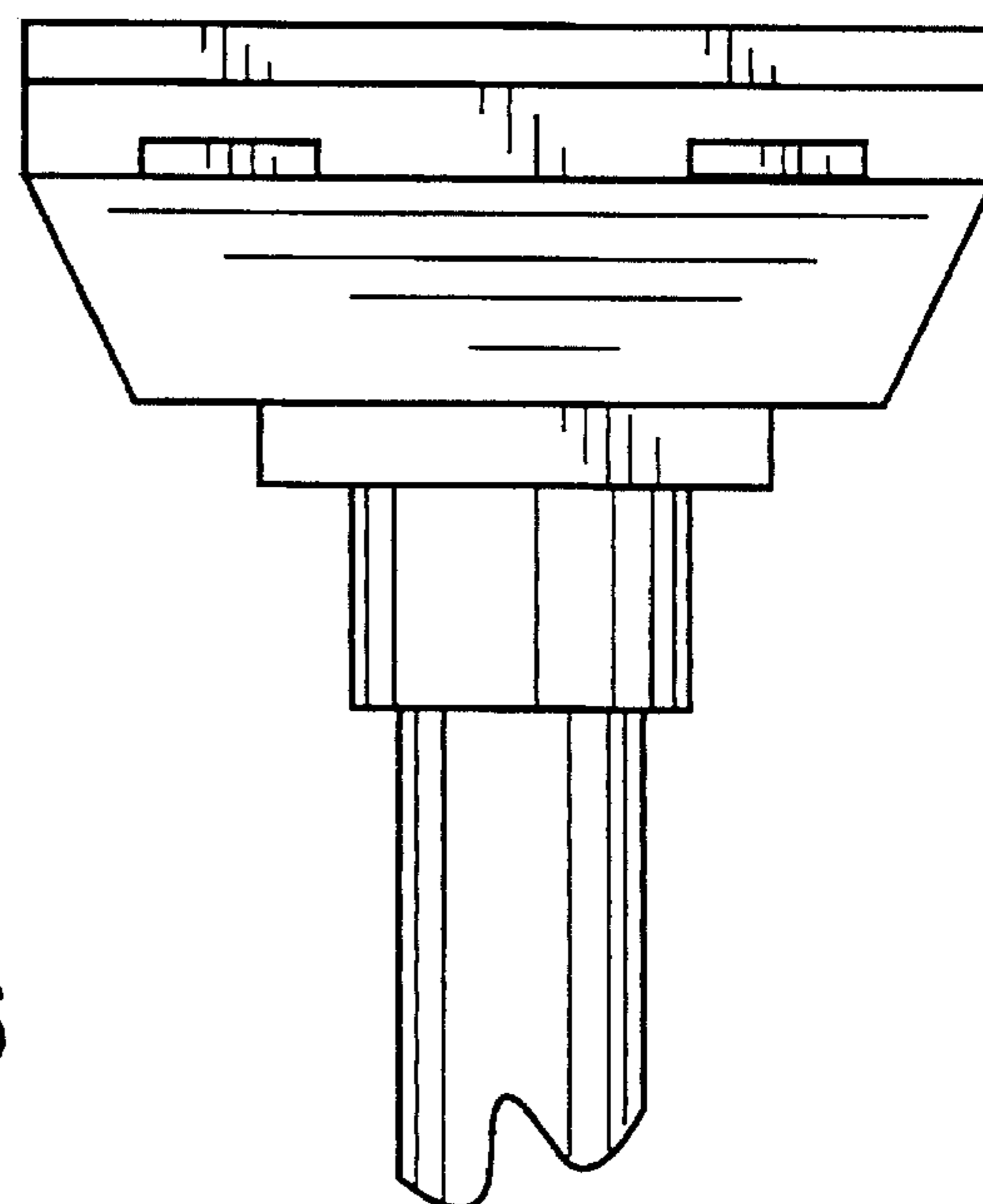


FIG. 6