



US00D373203S

United States Patent [19]

Kornfalt et al.

[11] Patent Number: Des. 373,203

[45] Date of Patent: **Aug. 27, 1996

[54] **PROFILE MOLDING**

[75] Inventors: **Sven Kornfalt**, Malmo; **Per Bengtsson**, Ekeby, both of Sweden

[73] Assignee: **Perstorp Flooring AB**, Trelleborg, Sweden

[**] Term: **14 Years**

[21] Appl. No.: **37,930**

[22] Filed: **Apr. 24, 1995**

[30] **Foreign Application Priority Data**

Oct. 24, 1994 [SE] Sweden 942125

[52] U.S. Cl. **D25/136**

[58] Field of Search D25/60, 52, 124, D25/125, 122, 136; 49/DIG. 2; 52/204.5, 204.56, 204.51, 730.3, 205, 730.1, 730.4, 730.6, 731.2, 92.2, 716.8

[56] **References Cited**

PUBLICATIONS

“WP/Series Moulding Patterns” pp. 8 & 16.

“Architectural Graphic Standards” p. 343.

Primary Examiner—Louis S. Zarfes

Assistant Examiner—Gregory Andoll

Attorney, Agent, or Firm—Watson Cole Stevens Davis P.L.L.C.

[57] **CLAIM**

The ornamental design for a profile molding, as shown and described.

DESCRIPTION

FIG. 1 is a perspective view of my new design for a profile molding showing the top, one side and one end;

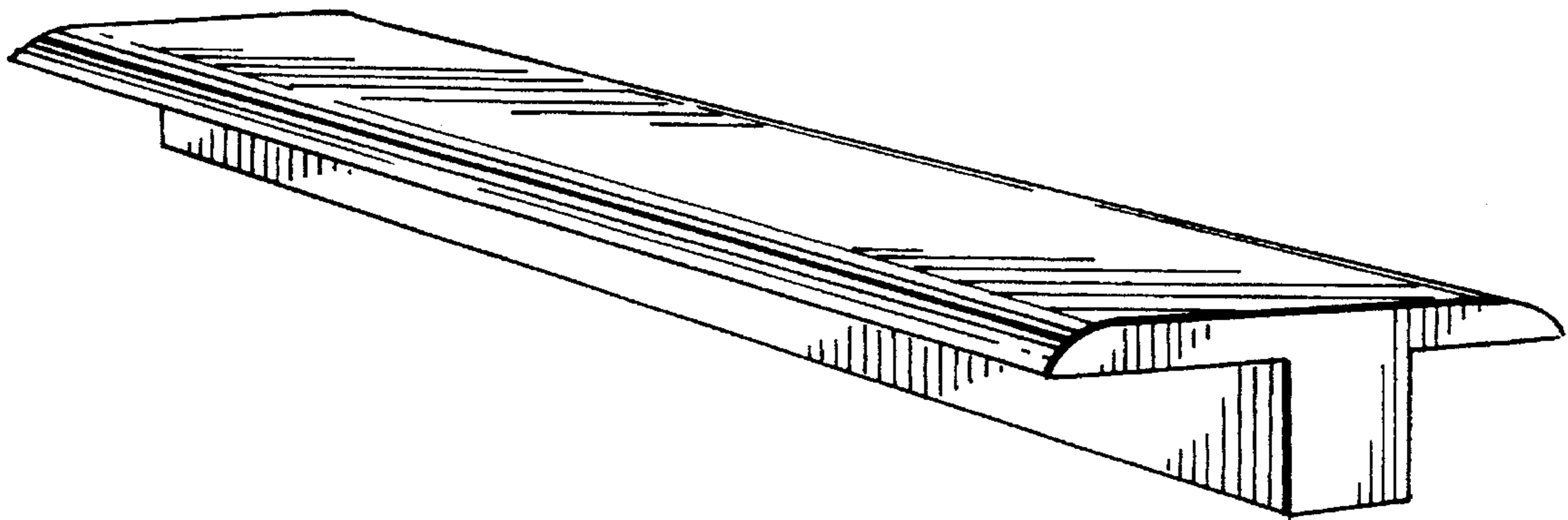
FIG. 2 is a perspective view thereof showing the top, the opposite side and the other end;

FIG. 3 is an end view; the opposite end is a mirror image thereof; and,

FIG. 4 is bottom view.

It should be understood that the profile molding of the present design invention is a indeterminate length, which may be cut to a length as needed; the length shown in FIGS. 1-4 is for convenience in illustration.

1 Claim, 1 Drawing Sheet



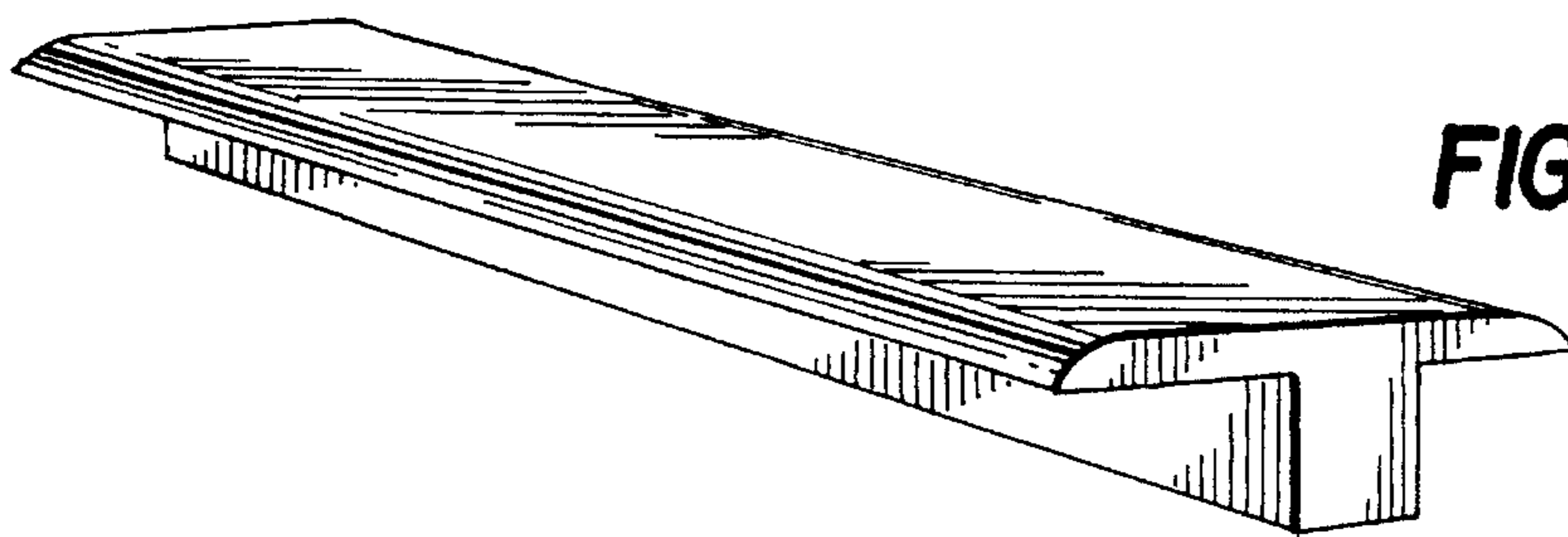


FIG. 1

FIG. 2

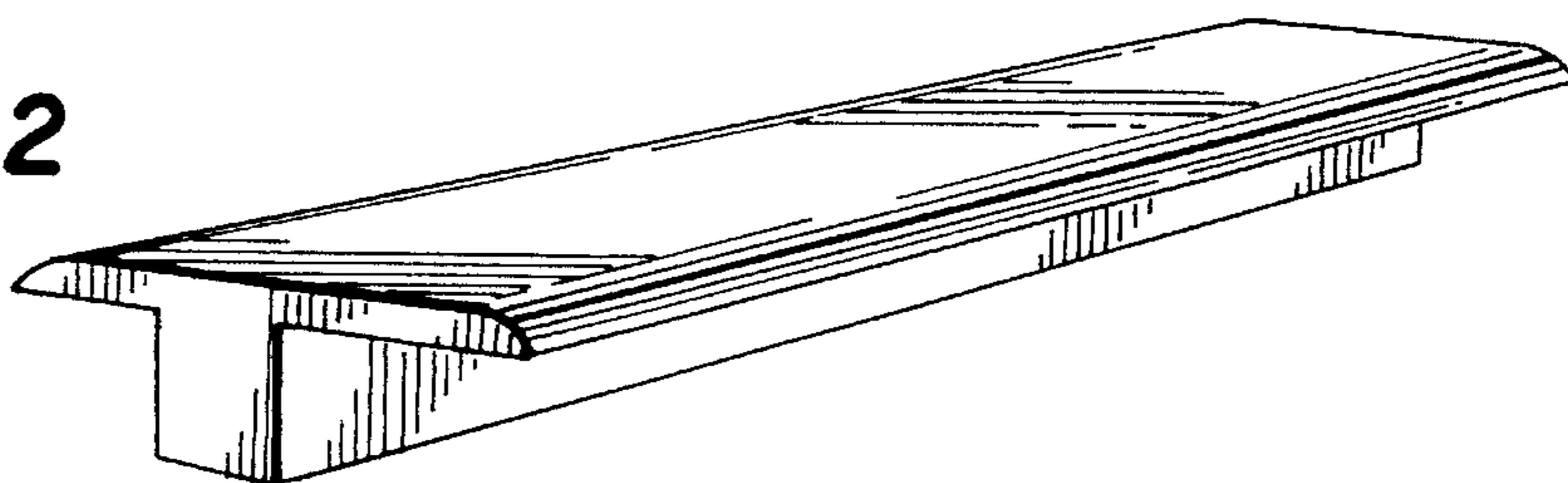


FIG. 3

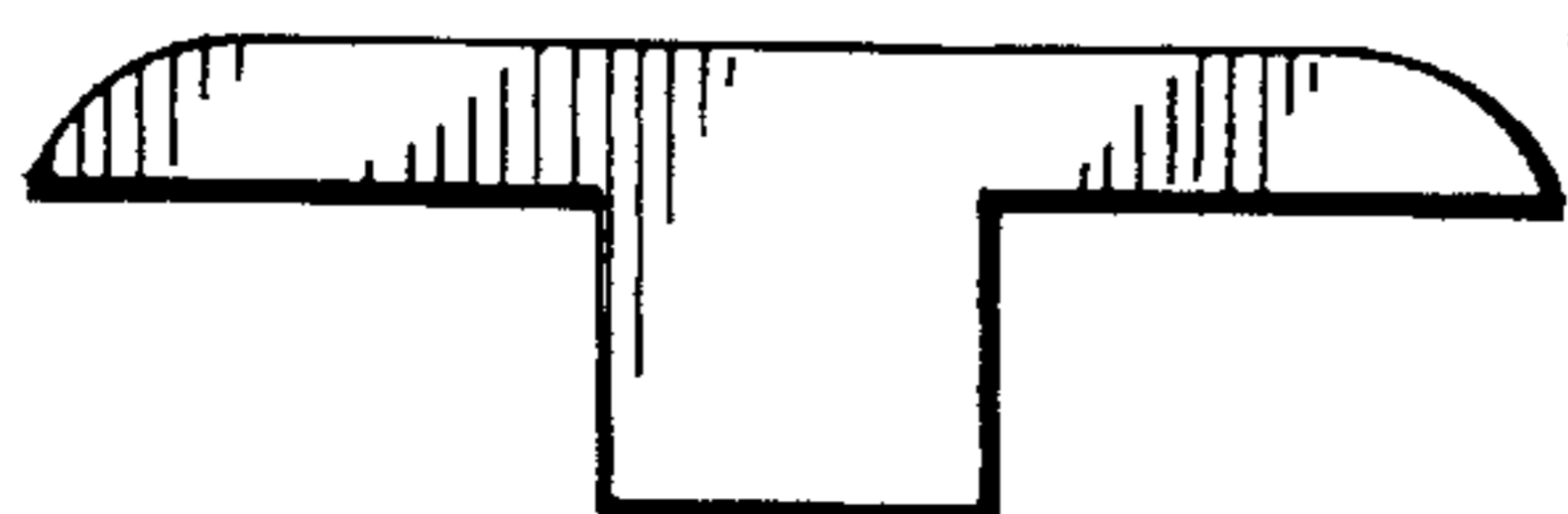
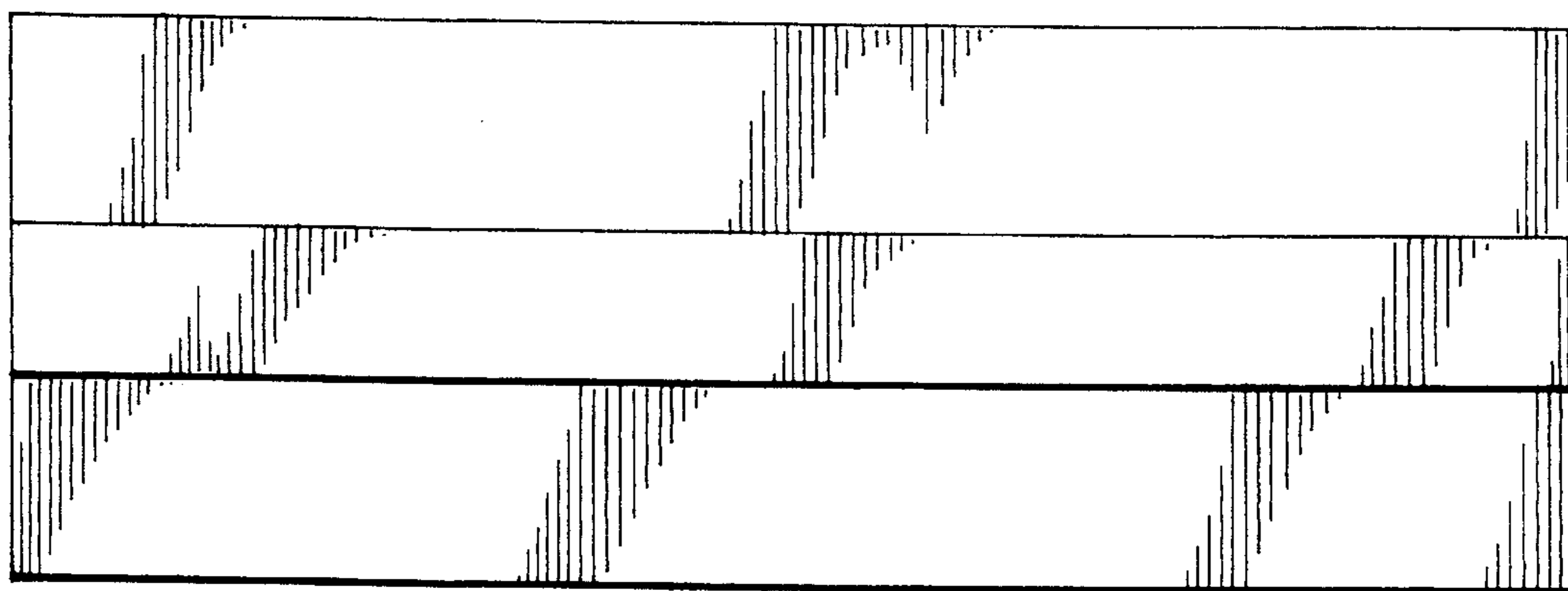


FIG. 4





US00D373203C1

(12) **EX PARTE REEXAMINATION CERTIFICATE (6345th)**
United States Patent
Kornfalt et al.

(10) **Number:** **US D373,203 C1**
(45) **Certificate Issued:** **Aug. 5, 2008**

(54) **PROFILE MOLDING**

(75) Inventors: **Sven Kornfalt**, Malmo (SE); **Per Bengtsson**, Ekeby (SE)

(73) Assignee: **Perstorp Flooring AB**, Trelleborg (SE)

Reexamination Request:

No. 90/007,365, Jan. 4, 2005

Reexamination Certificate for:

Patent No.: **Des. 373,203**
Issued: **Aug. 27, 1996**
Appl. No.: **29/037,930**
Filed: **Apr. 24, 1995**

(30) **Foreign Application Priority Data**

Oct. 24, 1994 (SE) 942125

(51) **LOC (8) Cl.** **25-01**

(52) **U.S. Cl.** **D25/136**

(58) **Field of Classification Search** None
See application file for complete search history.

(56) **References Cited**

U.S. PATENT DOCUMENTS

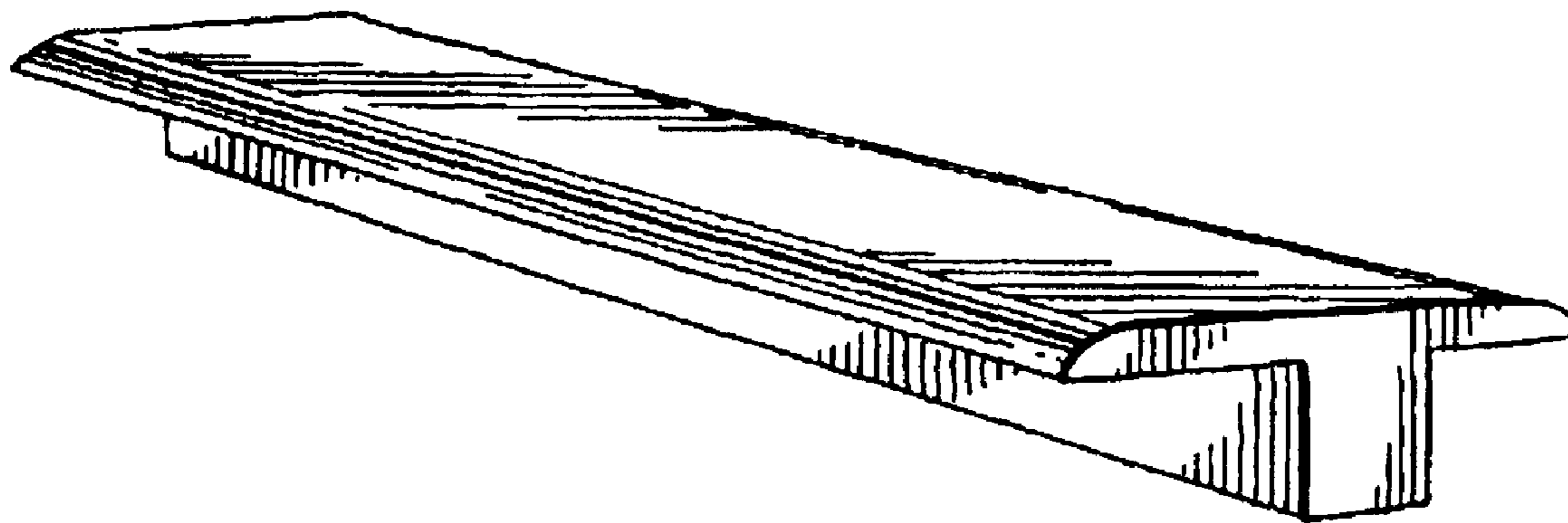
1,576,527 A *	3/1926	McBride	296/29
1,736,539 A *	11/1929	Lachman	52/468
2,926,401 A *	3/1960	Place	49/468
4,747,197 A *	5/1988	Charron	29/235
4,757,657 A *	7/1988	Mitchell et al.	52/241
4,806,435 A *	2/1989	Athey	428/594
5,469,666 A *	11/1995	Lewis, Jr.	49/471

OTHER PUBLICATIONS

Time Life Books, Inc., "Wood Flooring", Floors, Stairs & Carpets, published Jan. 1994.*

* cited by examiner

Primary Examiner—Catherine R Oliver



**EX PARTE
REEXAMINATION CERTIFICATE
ISSUED UNDER 35 U.S.C. 307**

The sole claim is cancelled.

[The ornamental design for a profile molding, as shown and described.]

AS A RESULT OF REEXAMINATION, IT HAS BEEN
DETERMINED THAT:

* * * * *