



US00D373199S

**United States Patent** [19]  
**Vanthournout**

[11] **Patent Number: Des. 373,199**  
[45] **Date of Patent: \*\*Aug. 27, 1996**

[54] **SLIDING GATE FOR A FENCE**  
[75] Inventor: **Rafael Vanthournout**, Ingelmunster, Belgium  
[73] Assignee: **N. V. Bekaert S.A.**, Zwevegem, Belgium  
[\*\*] Term: **14 Years**

4,723,374 2/1988 Peterson et al. .... 49/404  
5,272,838 12/1993 Gibbs ..... 49/404

*Primary Examiner*—Antoine Duval Davis

[21] Appl. No.: **30,039**  
[22] Filed: **Oct. 21, 1994**

[57] **CLAIM**

The ornamental design for a sliding gate for a fence, as shown and described.

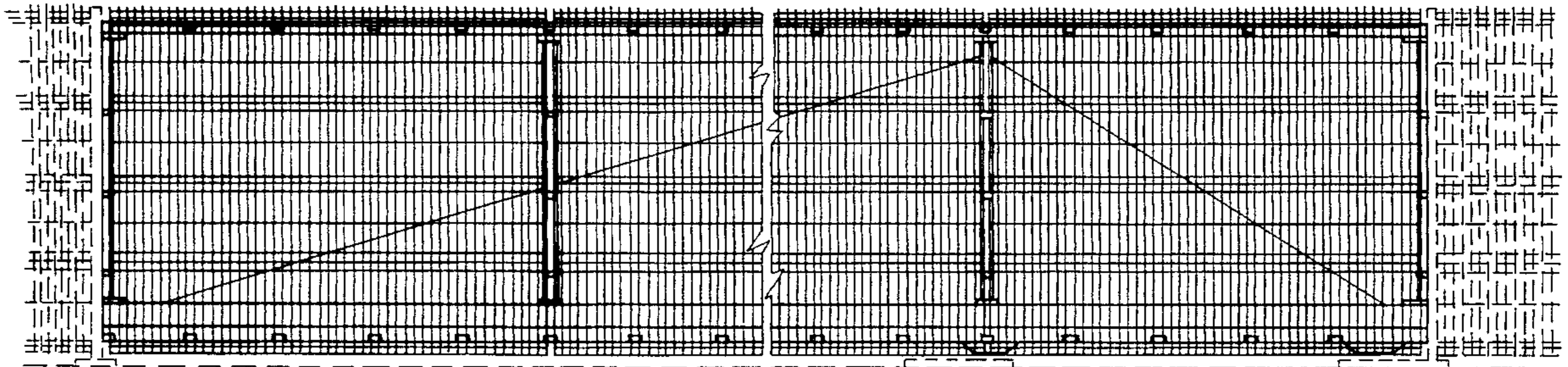
[30] **Foreign Application Priority Data**  
May 4, 1994 [BX] Benelux TM/Des. Off. .... 69.711-00  
[52] **U.S. Cl.** ..... **D25/50**  
[58] **Field of Search** ..... D25/50; 49/50, 49/55, 56, 57, 404, 410, 426, 501; 119/841, 847; 472/116

**DESCRIPTION**

FIG. 1 is a front elevational view of a sliding gate for a fence, showing my new design;  
FIG. 2 is a top plan view of FIG. 1;  
FIG. 3 is a rear elevational view of FIG. 1;  
FIG. 4 is a left side elevational view of FIG. 1, the right side elevational view being identical; and,  
FIG. 5 is a front, fragmentary perspective view of FIG. 1. The phantom lines shown in FIGS. 1, 2, 3 and 4 are for illustration purposes only to show the environmental structure of a fence and other supporting structures and form no part of the claimed design.

[56] **References Cited**  
**U.S. PATENT DOCUMENTS**  
D. 284,704 7/1986 Malkmus-Dörnemann ..... D25/50

**1 Claim, 2 Drawing Sheets**



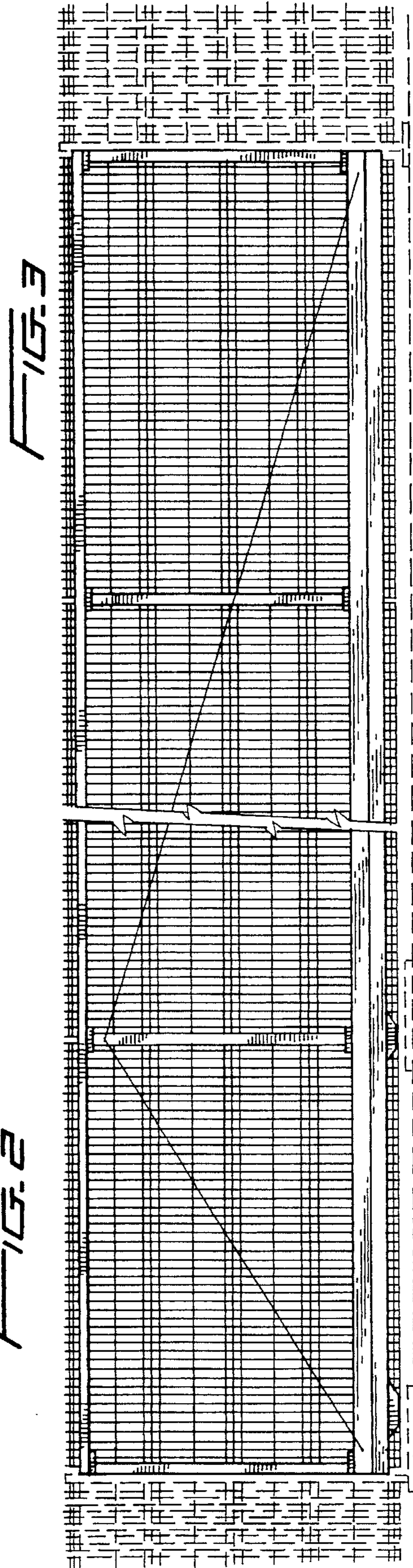
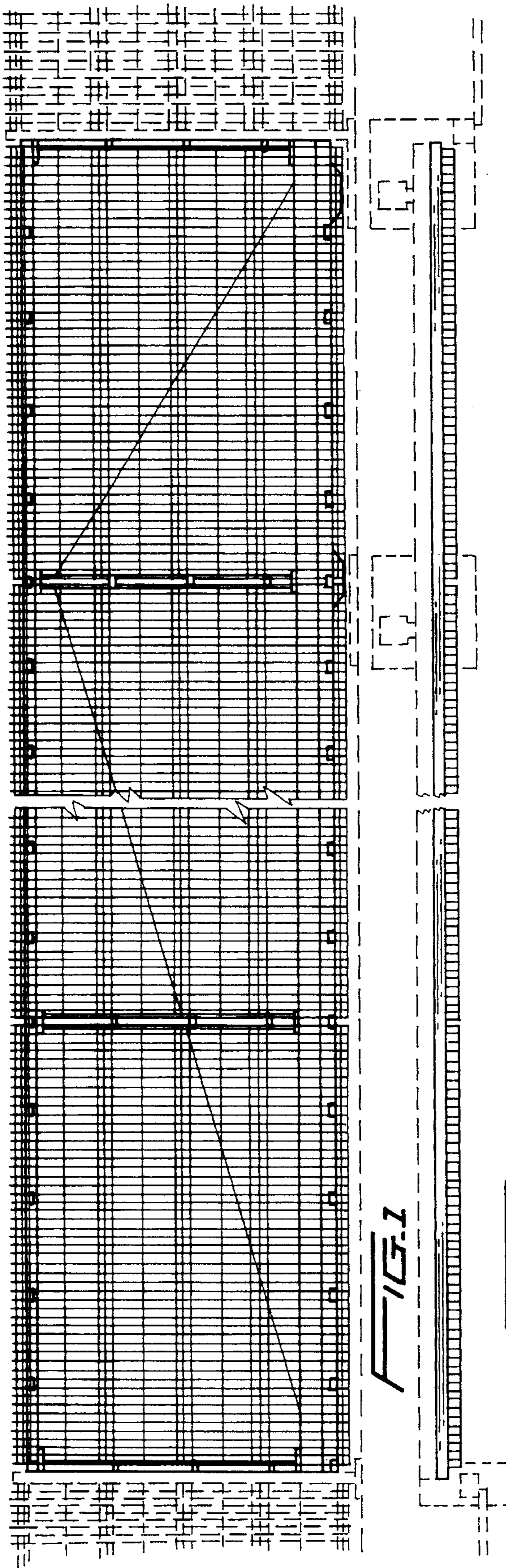


FIG. 5

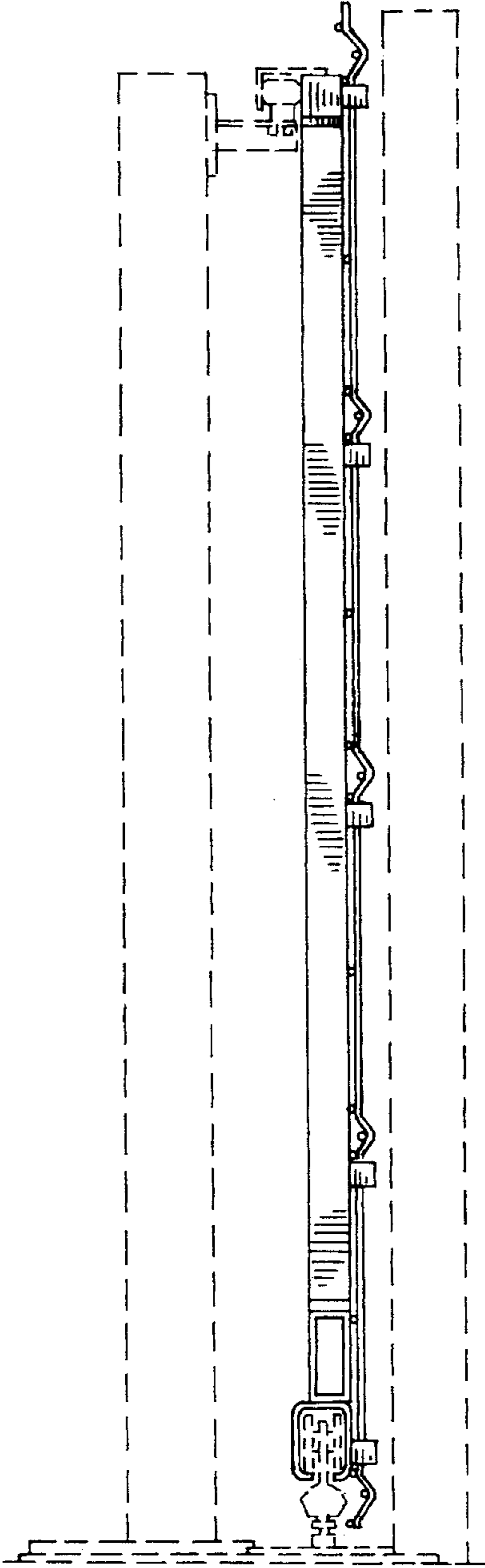


FIG. 4

