



US00D373198S

United States Patent [19]

Hill et al.

[11] Patent Number: **Des. 373,198**

[45] Date of Patent: ****Aug. 27, 1996**

[54] **MOBILE CLEANING STATION FOR
SANITIZING NEEDLES**

[76] Inventors: **Bryan D. Hill**, 5502 Gate Post Ct., Greensboro, County of Guilford, N.C. 27455; **David H. Hwang**, 324½ S. Tate St., Greensboro, County of Guilford, N.C. 27403

[**] Term: **14 Years**

[21] Appl. No.: **25,785**

[22] Filed: **Jul. 11, 1994**

[52] U.S. Cl. **D24/230**; D6/406

[58] **Field of Search** D6/406, 419, 420, D6/338, 511, 400; D7/550, 553, 554, 698; D12/415, 416, 419, 424-426; D19/88, 91, 35, 52; 108/43, 44; D24/227, 229, 230; 604/403, 406, 411, 416

[56] **References Cited**

U.S. PATENT DOCUMENTS

- D. 221,035 6/1971 Raines D24/230
- D. 248,045 5/1978 Bassett et al. D24/229

- D. 279,845 7/1985 Holliman D6/406
- D. 335,796 5/1993 Barnes D7/553
- D. 342,796 12/1993 Palmer D6/406
- D. 359,127 6/1995 Biesecker D24/227
- 3,604,566 9/1971 Rem et al. D24/230
- 4,278,176 7/1981 Adams D24/230

Primary Examiner—Janice E. Seeger
Attorney, Agent, or Firm—Rhodes Coats & Bennett, L.L.P.

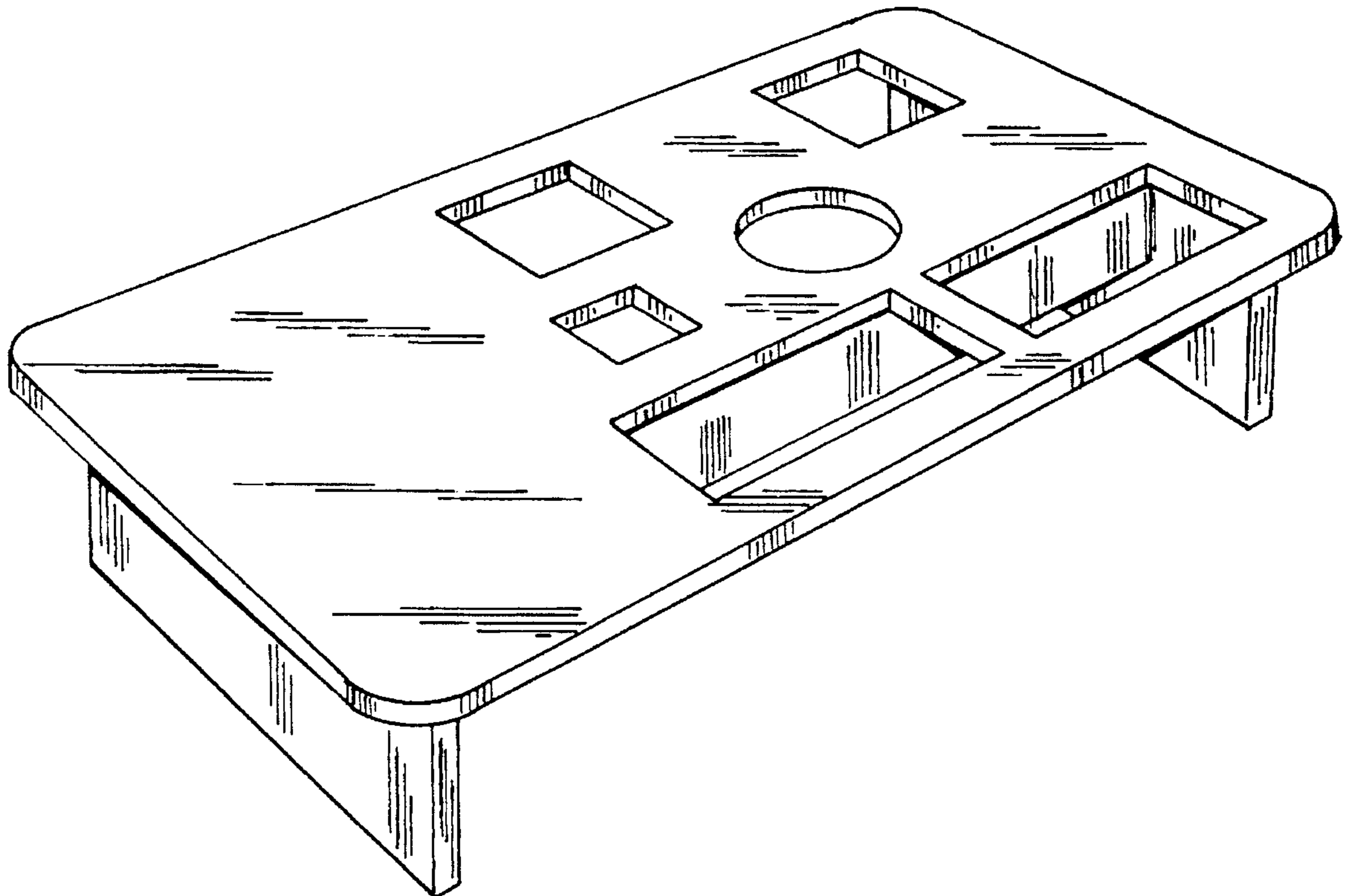
[57] **CLAIM**

The ornamental design for mobile cleaning station for sanitizing needles, as shown and described.

DESCRIPTION

FIG. 1 is a left-front perspective view of a mobile cleaning station for sanitizing needles showing my new design; FIG. 2 is a side elevational view thereof; the opposite side elevational view being a mirror image; FIG. 3 is a front elevational view thereof; the rear elevational view being a mirror image; FIG. 4 is a top plan view thereof; and, FIG. 5 is a right-bottom perspective view.

1 Claim, 2 Drawing Sheets



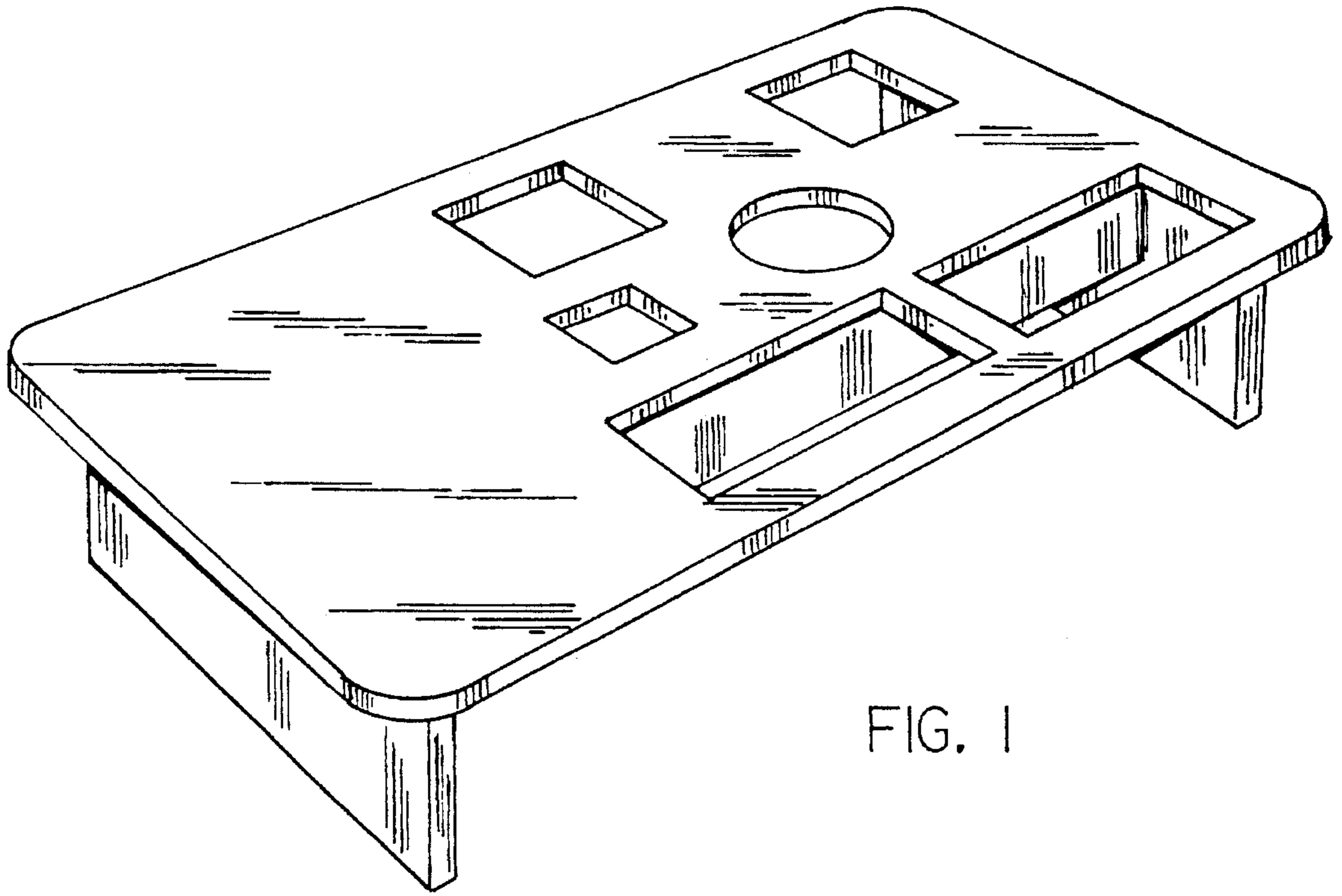


FIG. 1

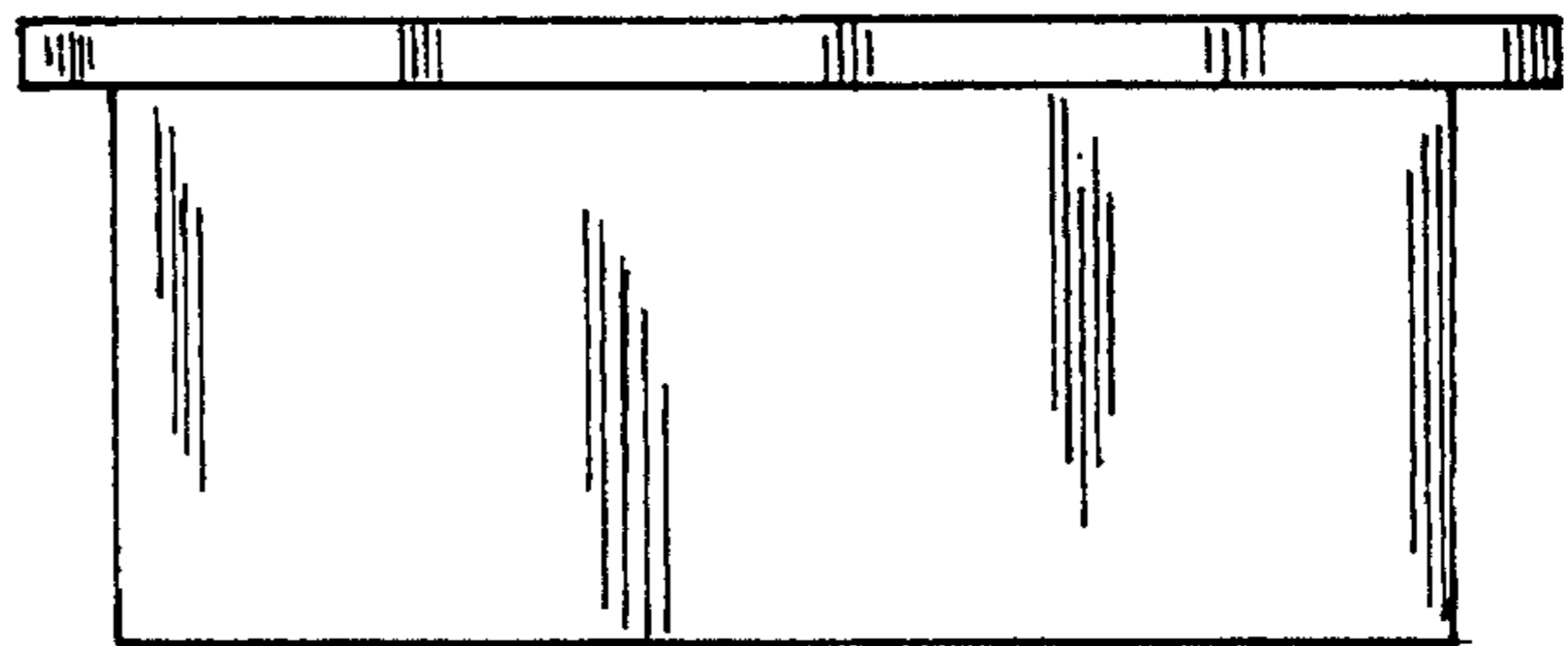


FIG. 2

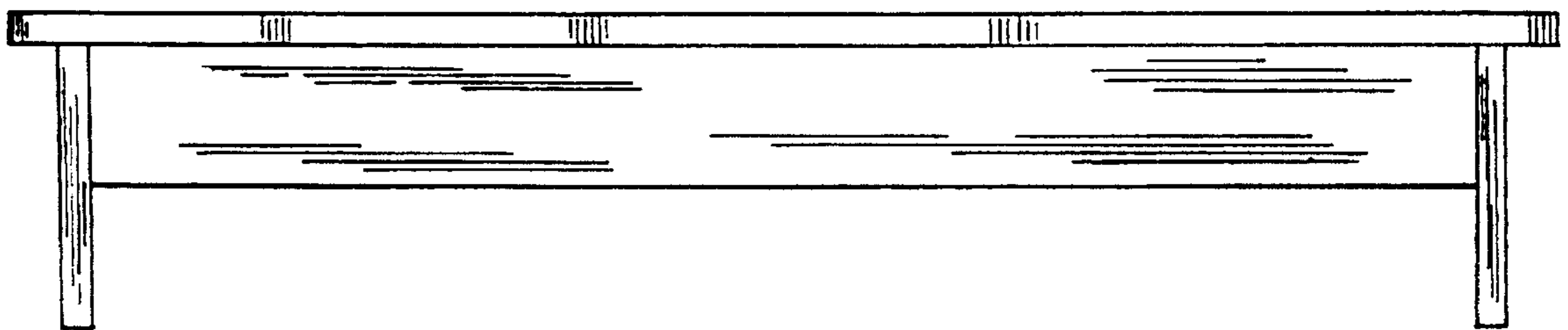


FIG. 3

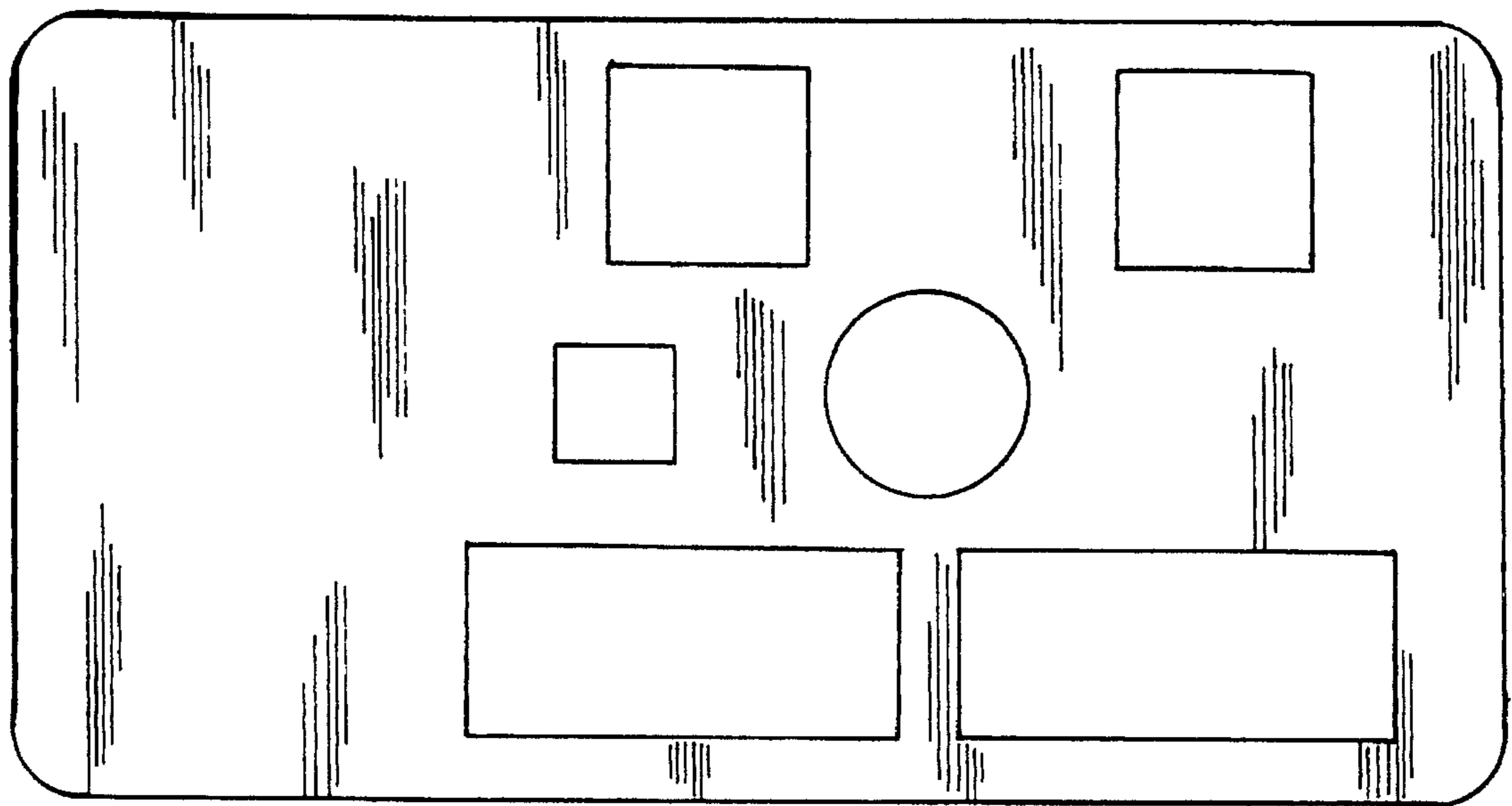


FIG. 4

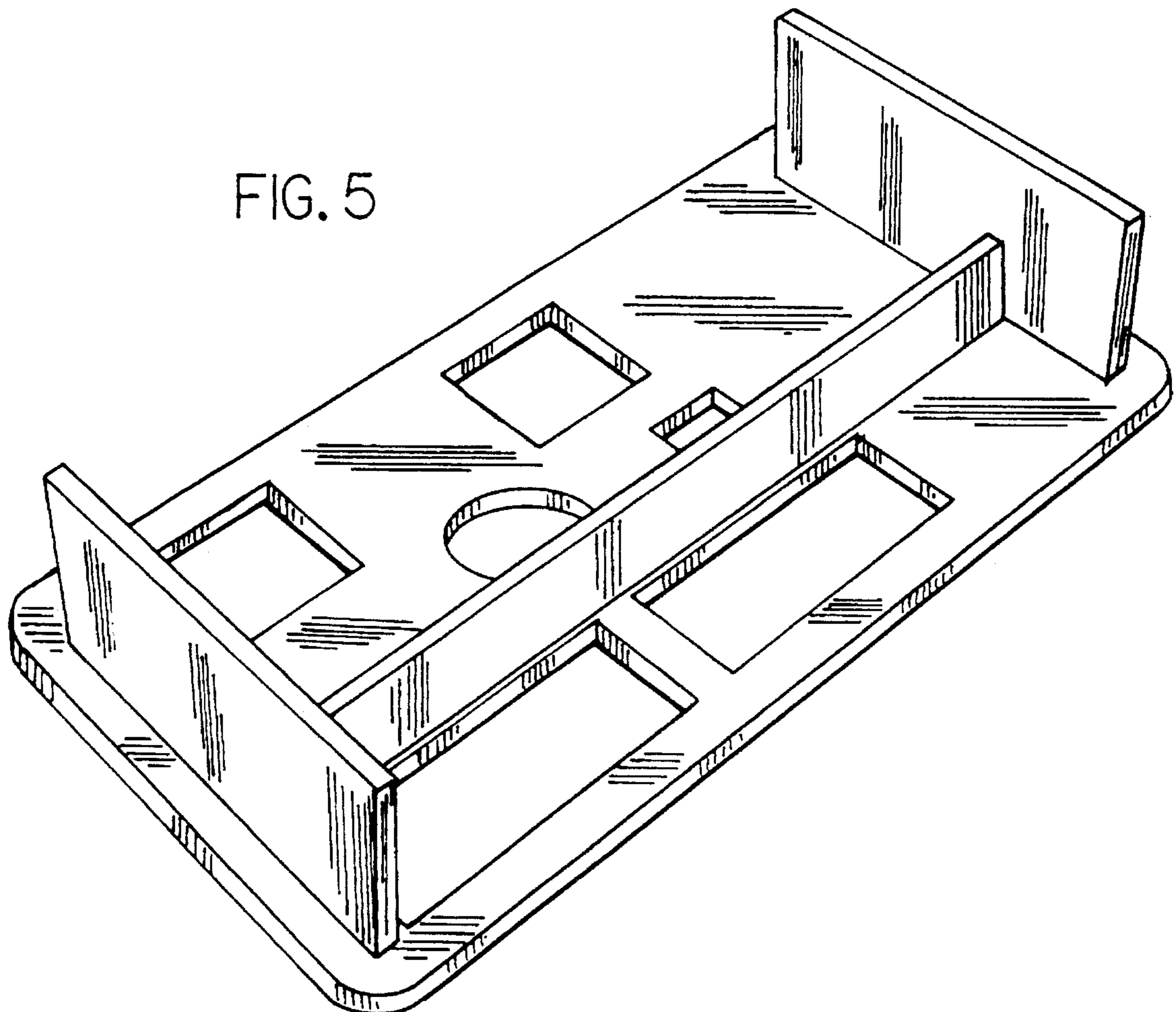


FIG. 5