



US00D373192S

United States Patent [19]

Murphy et al.

[11] Patent Number: **Des. 373,192**

[45] Date of Patent: ****Aug. 27, 1996**

[54] **CONNECTOR FOR A DEVICE FOR APPLYING COMPRESSIVE PRESSURE TO THE LEG**

[75] Inventors: **David L. Murphy**, N. Attleboro;
Robert C. Bouchard, Bellingham, both of Mass.

[73] Assignee: **The Kendall Company**, Mansfield, Mass.

[**] Term: **14 Years**

[21] Appl. No.: **32,375**

[22] Filed: **Nov. 9, 1994**

[52] U.S. Cl. **D24/129**

[58] Field of Search D23/259, 262,
D23/265; D24/129, 130, 112, 114; 285/137.1,
305, 26, 317

[56] **References Cited**

U.S. PATENT DOCUMENTS

| | | | | |
|------------|---------|----------------|-------|-------------|
| D. 286,397 | 10/1986 | Challans | | D13/133 |
| D. 289,688 | 5/1987 | Clawson et al. | | D24/129 |
| D. 333,293 | 2/1993 | Ashida | | D13/147 |
| D. 357,736 | 4/1995 | Dye | | D23/260 X |
| 4,478,436 | 10/1984 | Hashimoto | | 285/137.1 |
| 4,722,559 | 2/1988 | Bongartz | | 285/137.1 |
| 4,804,208 | 2/1989 | Dye | | 285/26 |
| 4,900,065 | 2/1990 | Houck | | 285/137.1 X |
| 5,219,185 | 6/1993 | Oddenino | | 285/317 X |

FOREIGN PATENT DOCUMENTS

| | | | | |
|---------|--------|---------|-------|-----------|
| 2341810 | 9/1977 | France | | 285/137.1 |
| 3612195 | 7/1987 | Germany | | 285/137.1 |

OTHER PUBLICATIONS

CPC Quick Couplings For Plastic Tubing Catalog Feb. 1993 pp. 20 and 22 Both at top right.

Primary Examiner—Louis S. Zarfaz
Assistant Examiner—Frank Martinez
Attorney, Agent, or Firm—David J. Koris, Esq.

[57] **CLAIM**

The ornamental design for a connector for a device for applying compressive pressure to the leg, as shown and described.

DESCRIPTION

FIG. 1 is a front perspective view, showing the new design for the connector in which the tubing showing attached to the rear of the connector forms no part of the connector design;

FIG. 2 is a front elevation view thereof;

FIG. 3 is a rear elevational view thereof;

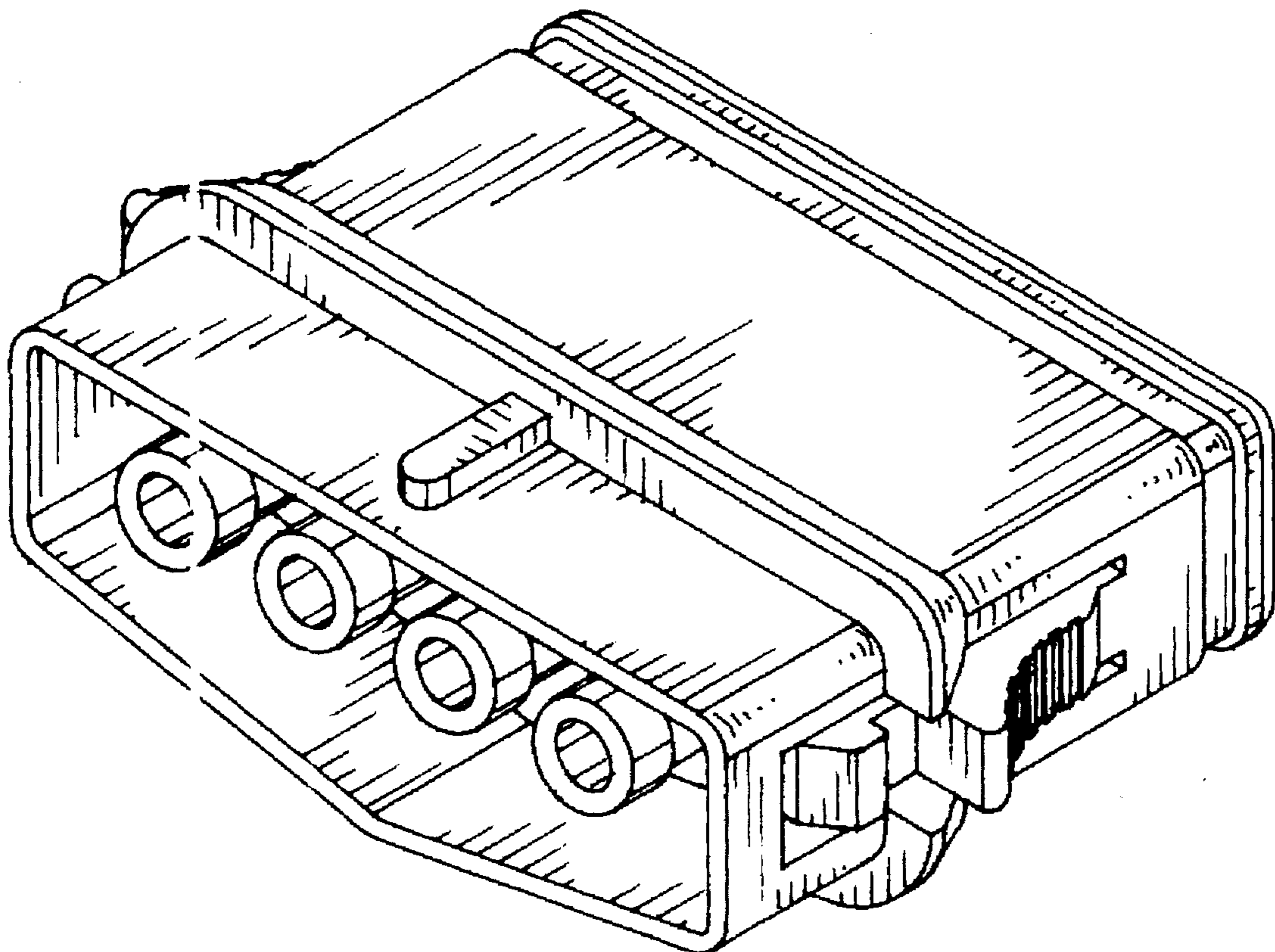
FIG. 4 is a top plan view thereof;

FIG. 5 is a bottom plan view thereof;

FIG. 6 is an elevational view of the right side thereof; and,

FIG. 7 is an elevation view of the left side thereof.

1 Claim, 1 Drawing Sheet



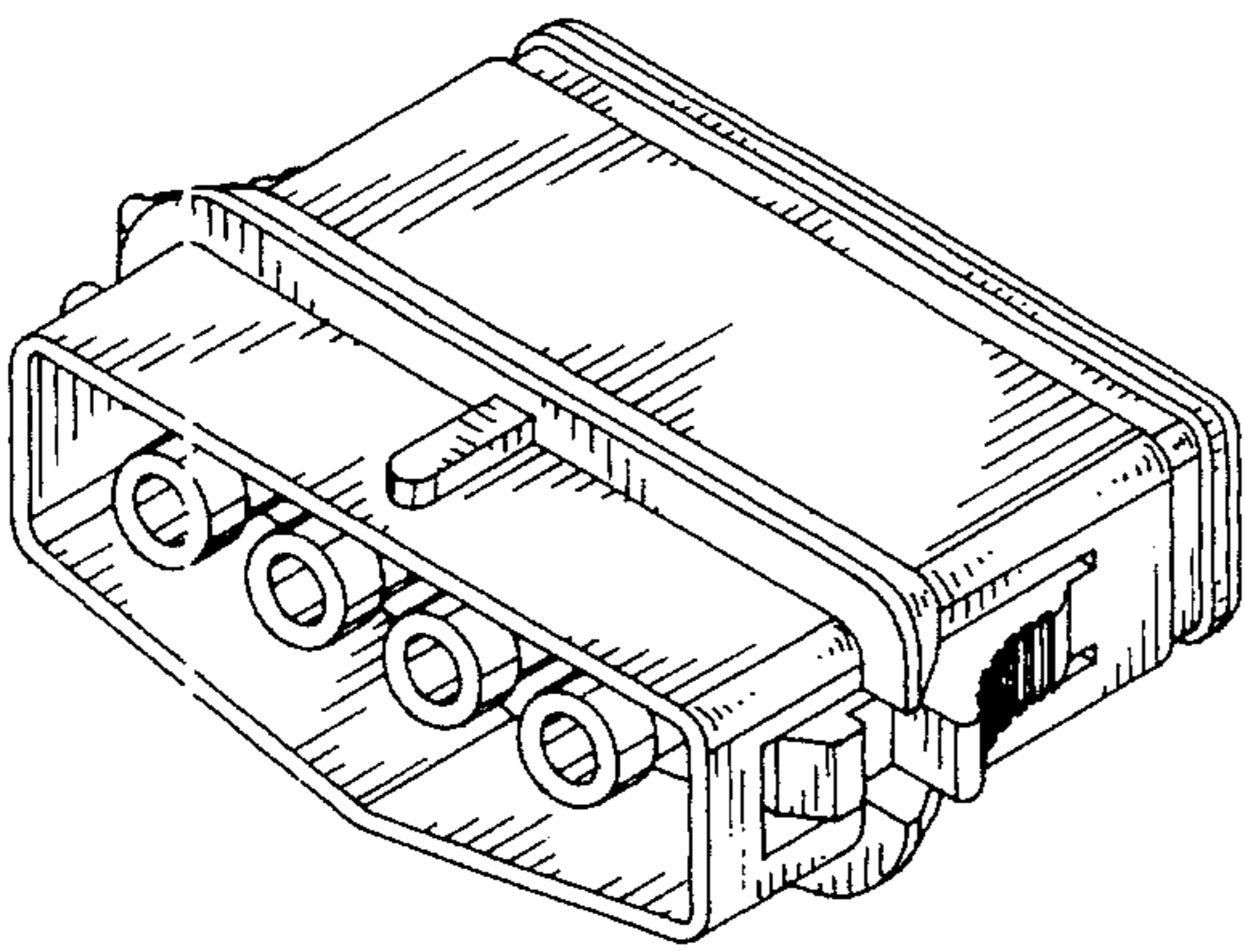


FIG. 1

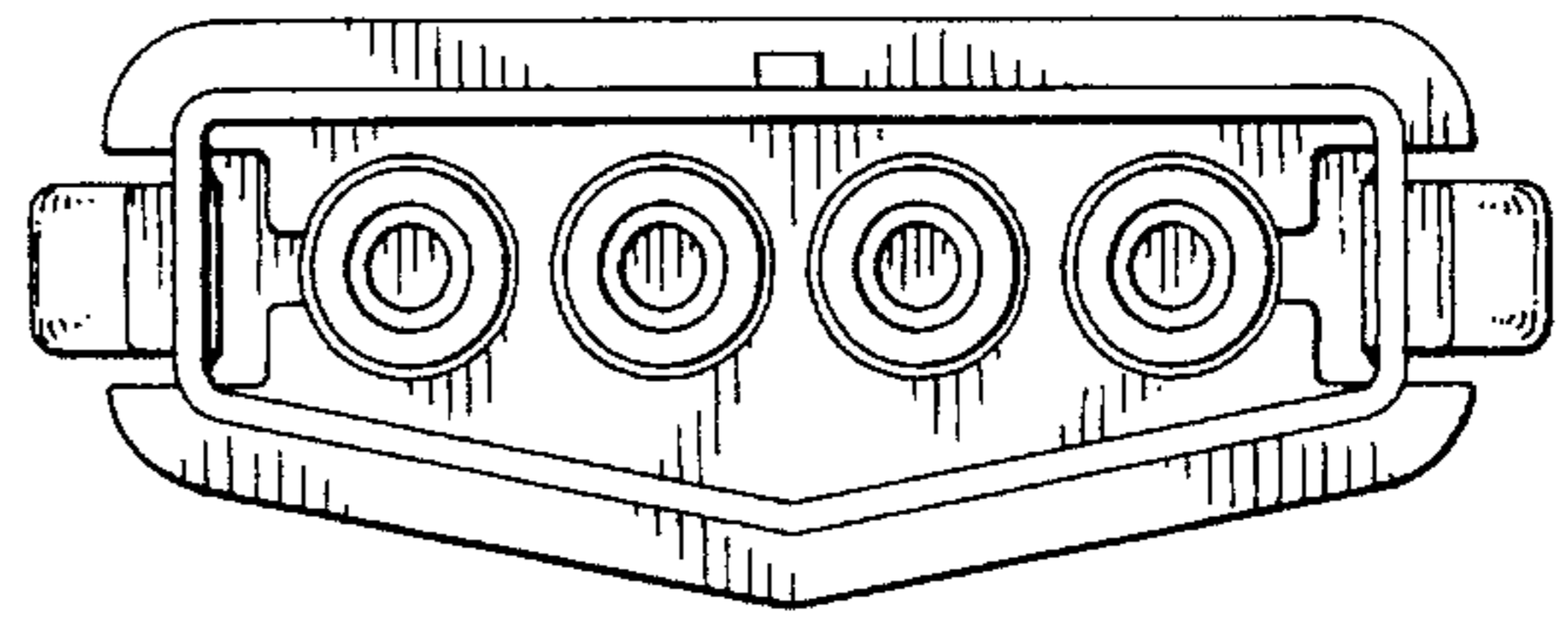


FIG. 2

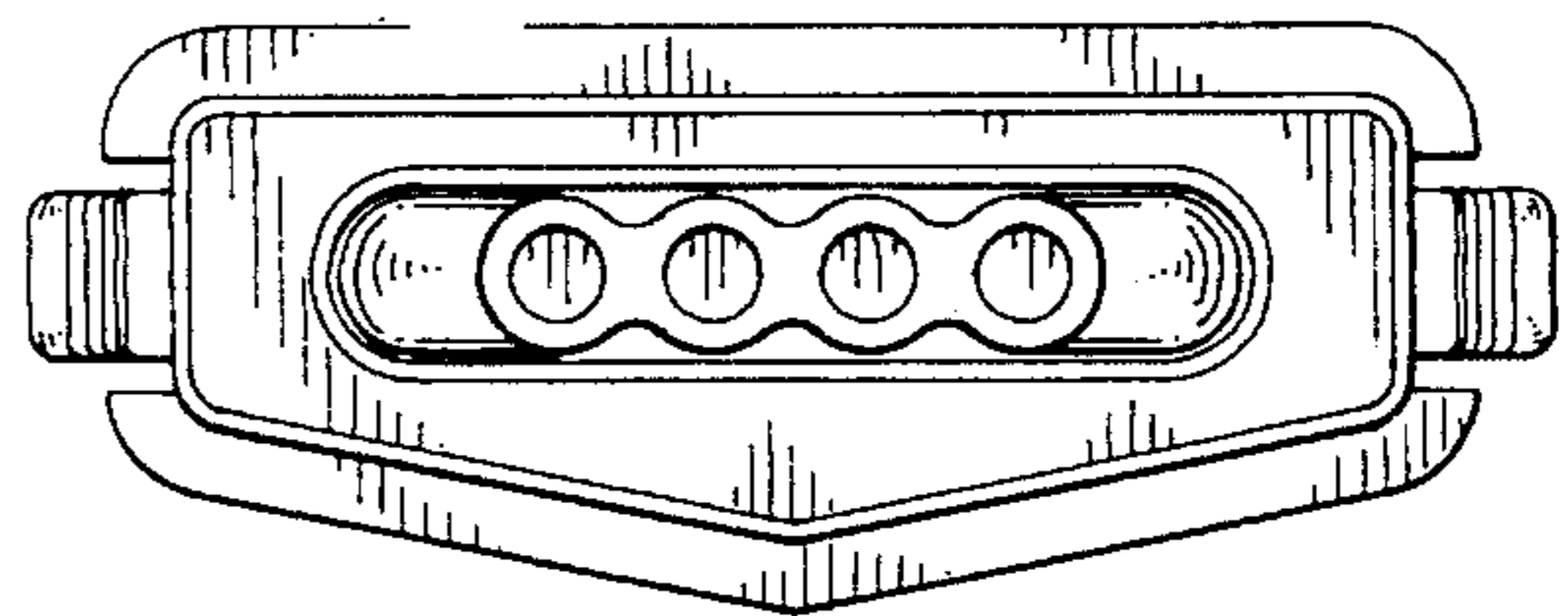


FIG. 3

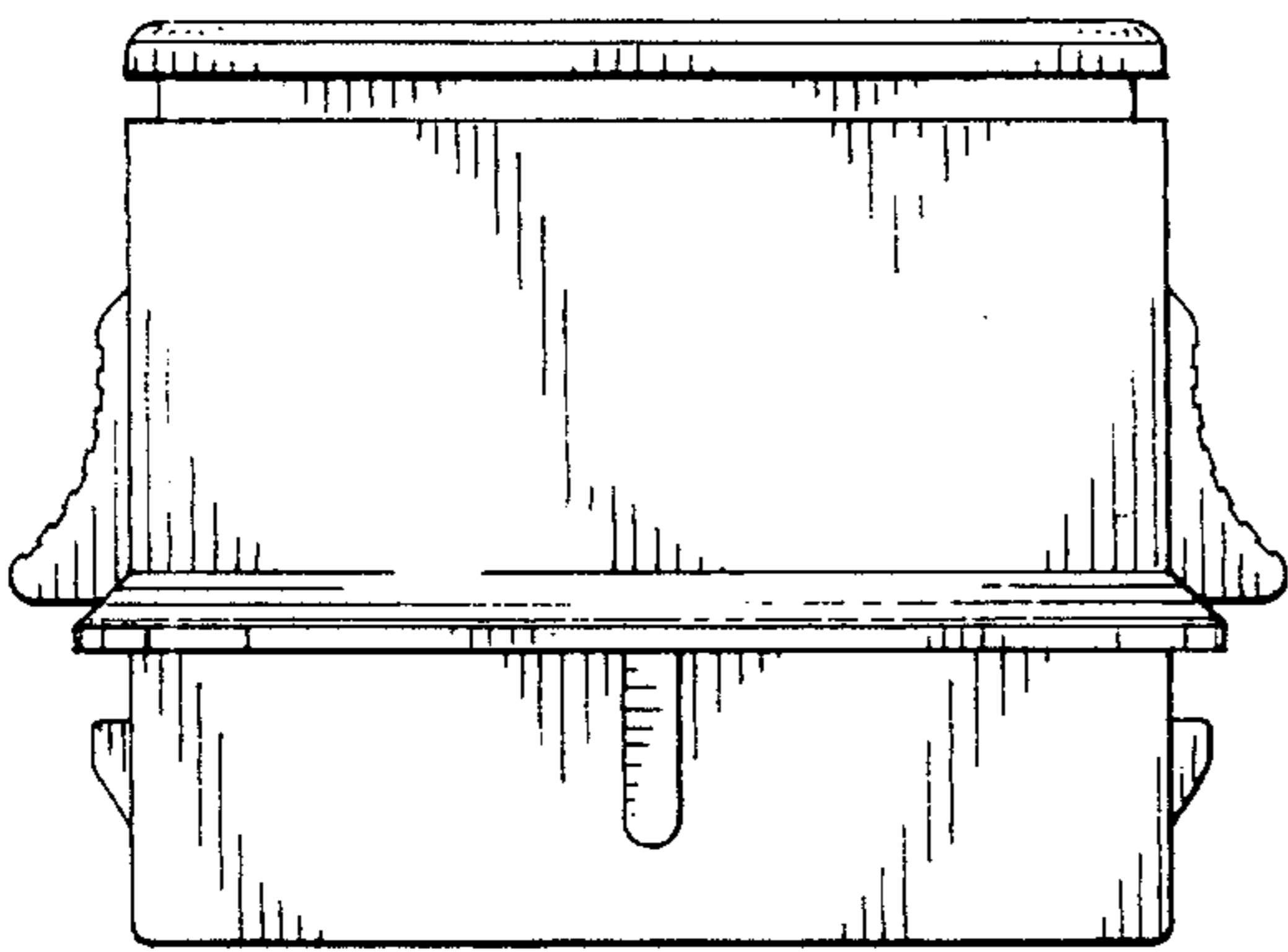


FIG. 4

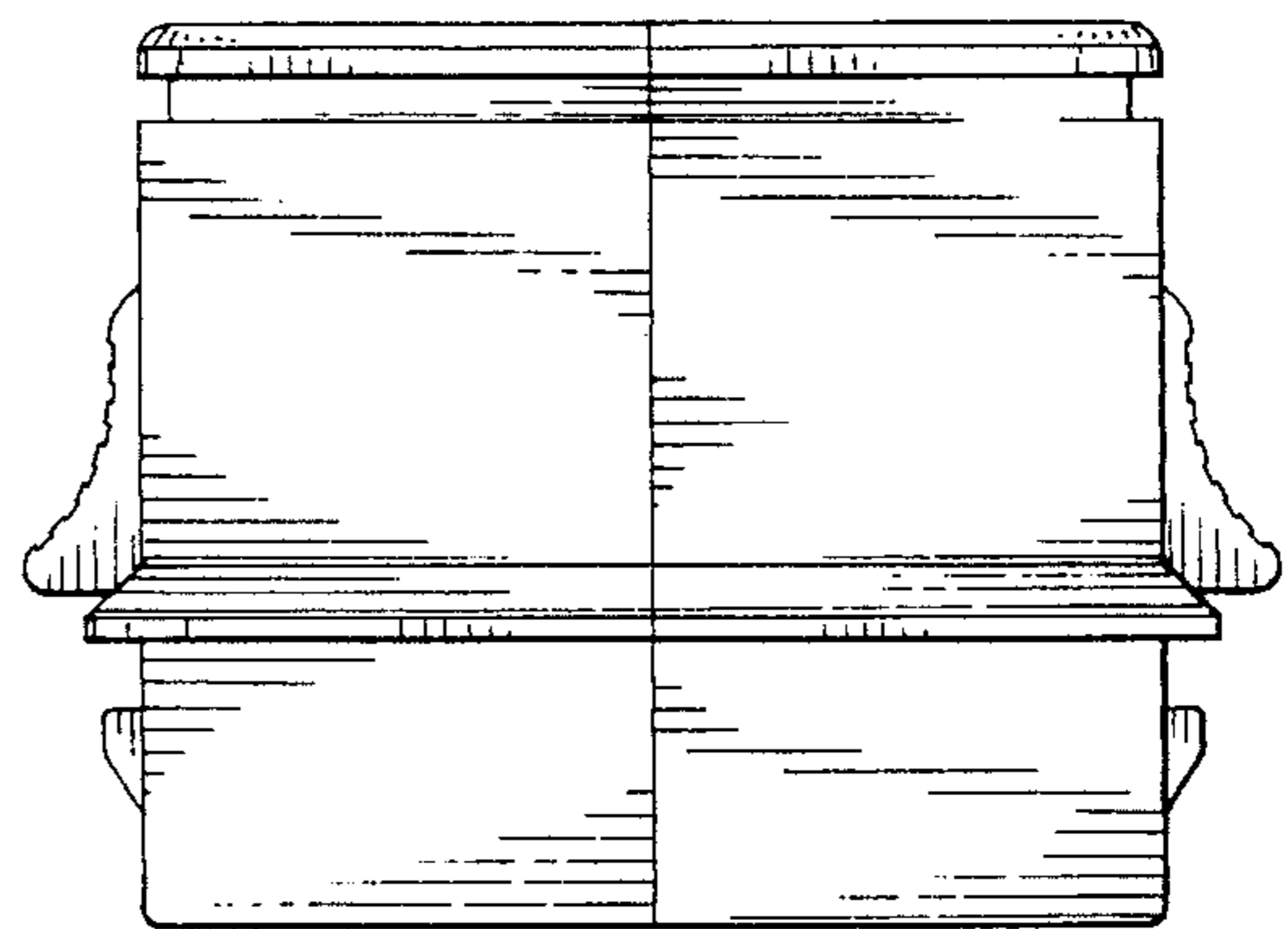


FIG. 5

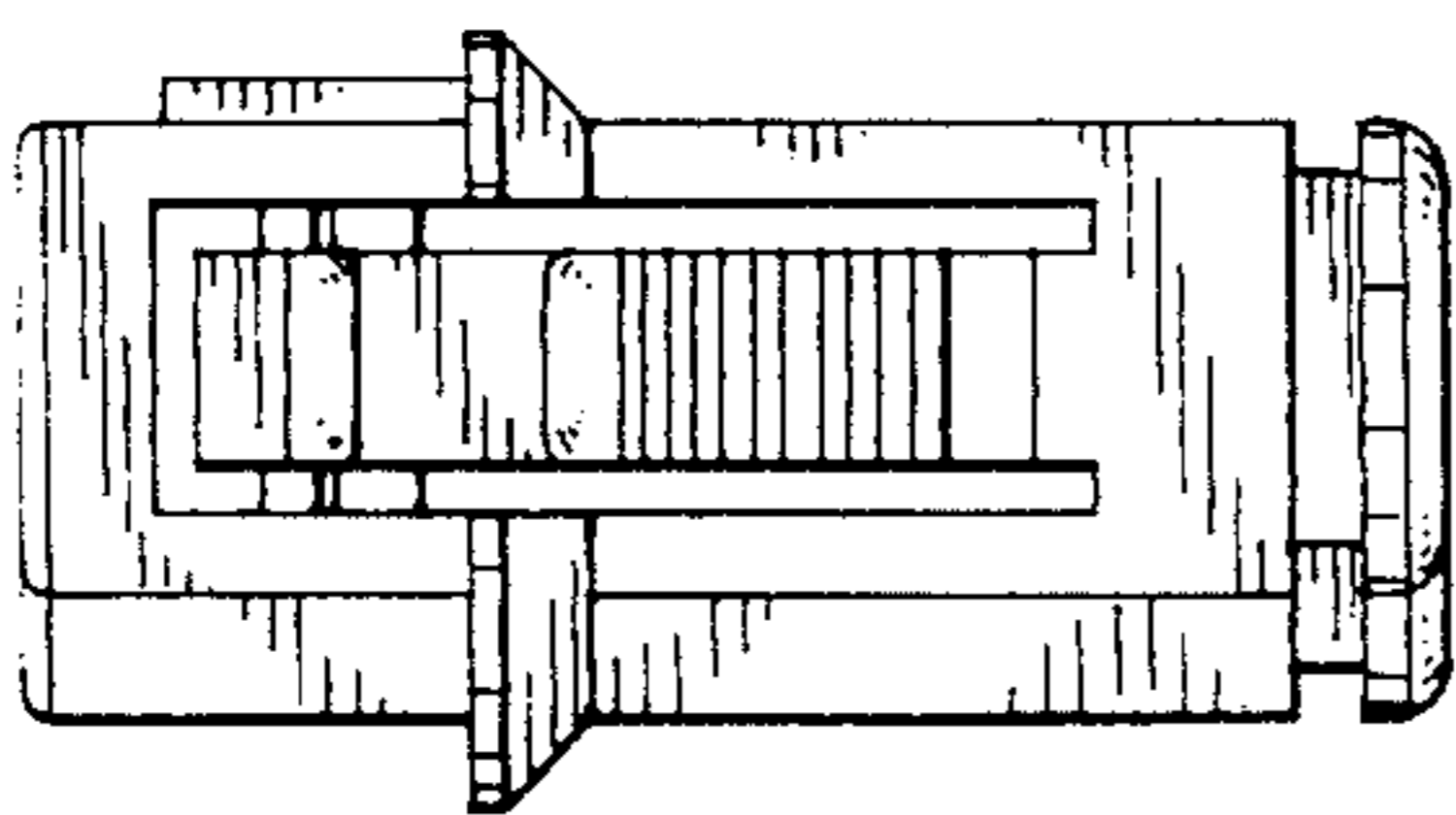


FIG. 6

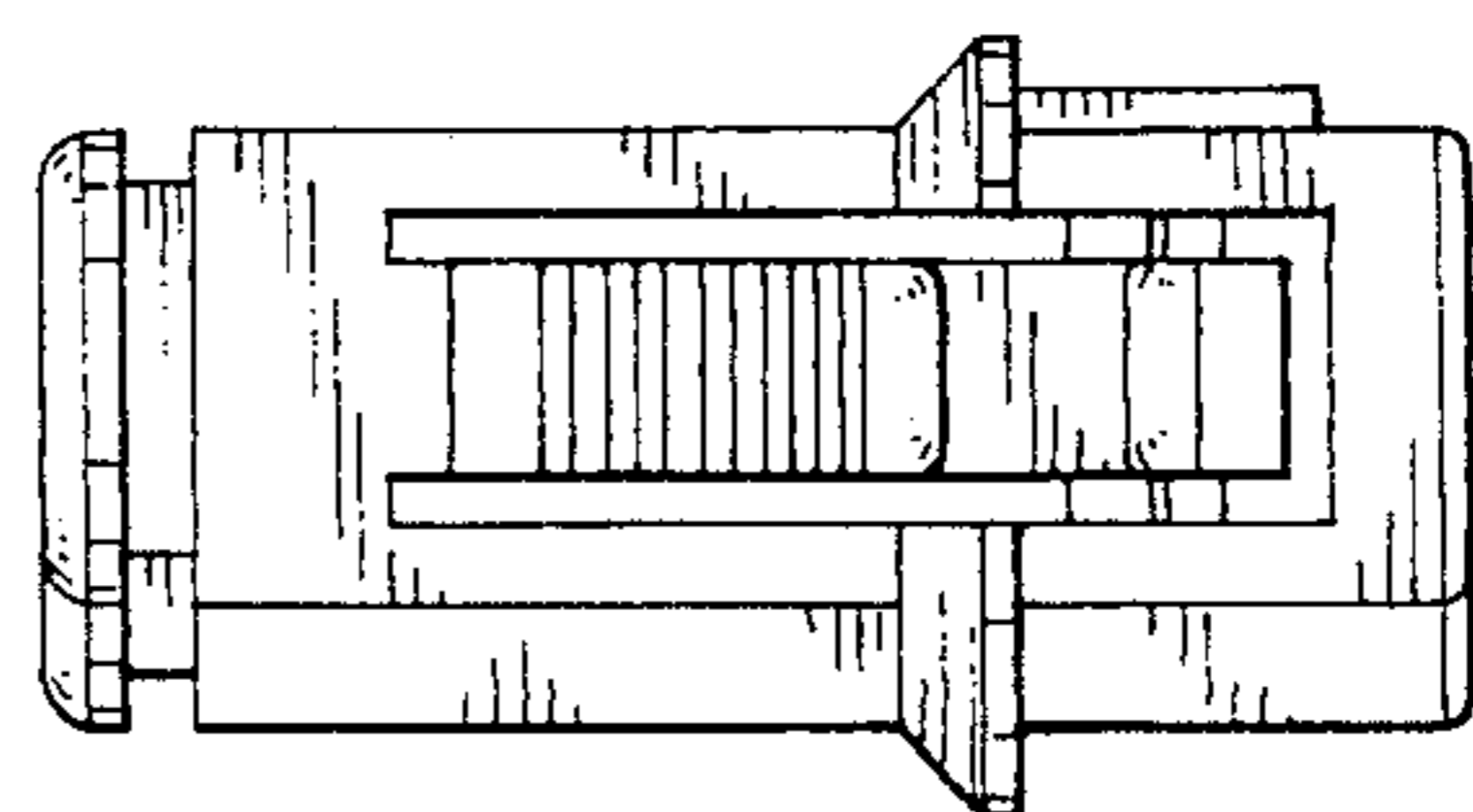


FIG. 7