



US00D373191S

United States Patent [19]

[11] Patent Number: **Des. 373,191**

Ribando et al.

[45] Date of Patent: ***** Aug. 27, 1996**

[54] MULTI-CHANNEL CONDUIT CONNECTOR FOR TREATING DEEP VEIN THROMBOSIS

[75] Inventors: **Philip P. Ribando; Kenneth M. Bolam; Donald H. Peeler**, all of Charlotte, N.C.

[73] Assignee: **Jobst Institute, Inc.**, Charlotte, N.C.

[*] Notice: The portion of the term of this patent subsequent to May 14, 2010, has been disclaimed.

[**] Term: **14 Years**

[21] Appl. No.: **20,893**

[22] Filed: **Apr. 5, 1994**

[52] U.S. Cl. **D24/129**

[58] Field of Search D24/129; 285/319, 285/137.1, 305, 20, 317; 601/148, 149, 151, 150, 152, 153

[56] References Cited

U.S. PATENT DOCUMENTS

D. 319,312	8/1991	Schneider	D24/129
D. 327,738	7/1992	Dye	D24/129
D. 330,250	10/1992	Dye	D24/129
4,076,279	2/1978	Klotz et al.	285/26
4,253,449	3/1981	Arkans et al.	128/24
4,478,436	10/1984	Hashimoto	285/137.1
4,804,208	2/1989	Dye	285/26
5,219,185	6/1993	Oddenino	285/26
5,342,285	8/1994	Dye	601/148 X

OTHER PUBLICATIONS

Brochure "Making Prevention Operative" from Kendall Healthcare Products Company for SCD™ Compression System, ©1991 Kendall Health Care Products Company.

Instruction Manual from Kendall Healthcare Products Company for SCD™ Therapeutic System, ©1989 Kendall Healthcare Products Company.

Primary Examiner—Louis S. Zarfaz

Assistant Examiner—I. Simmons

Attorney, Agent, or Firm—Bell, Seltzer, Park & Gibson, P.A.

[57] CLAIM

The ornamental design for a multi-channel conduit connector for treating deep vein thrombosis, as shown and described.

DESCRIPTION

FIG. 1 is a perspective view of the multi-channel conduit connector for treating deep vein thrombosis which illustrates the new design;

FIG. 2 is a top plan view thereof;

FIG. 3 is a right side view thereof;

FIG. 4 is a bottom view thereof;

FIG. 5 is a left side view thereof;

FIG. 6 is a back view thereof;

FIG. 7 is a front view thereof; and

FIG. 8 is a perspective view of a second embodiment of a multi-channel conduit connector for treating deep vein thrombosis which illustrates the new design;

FIG. 9 is a top plan view of the multi-channel conduit for treating deep vein thrombosis illustrated in FIG. 8;

FIG. 10 is a right side view of the multi-channel conduit for treating deep vein thrombosis illustrated in FIG. 8;

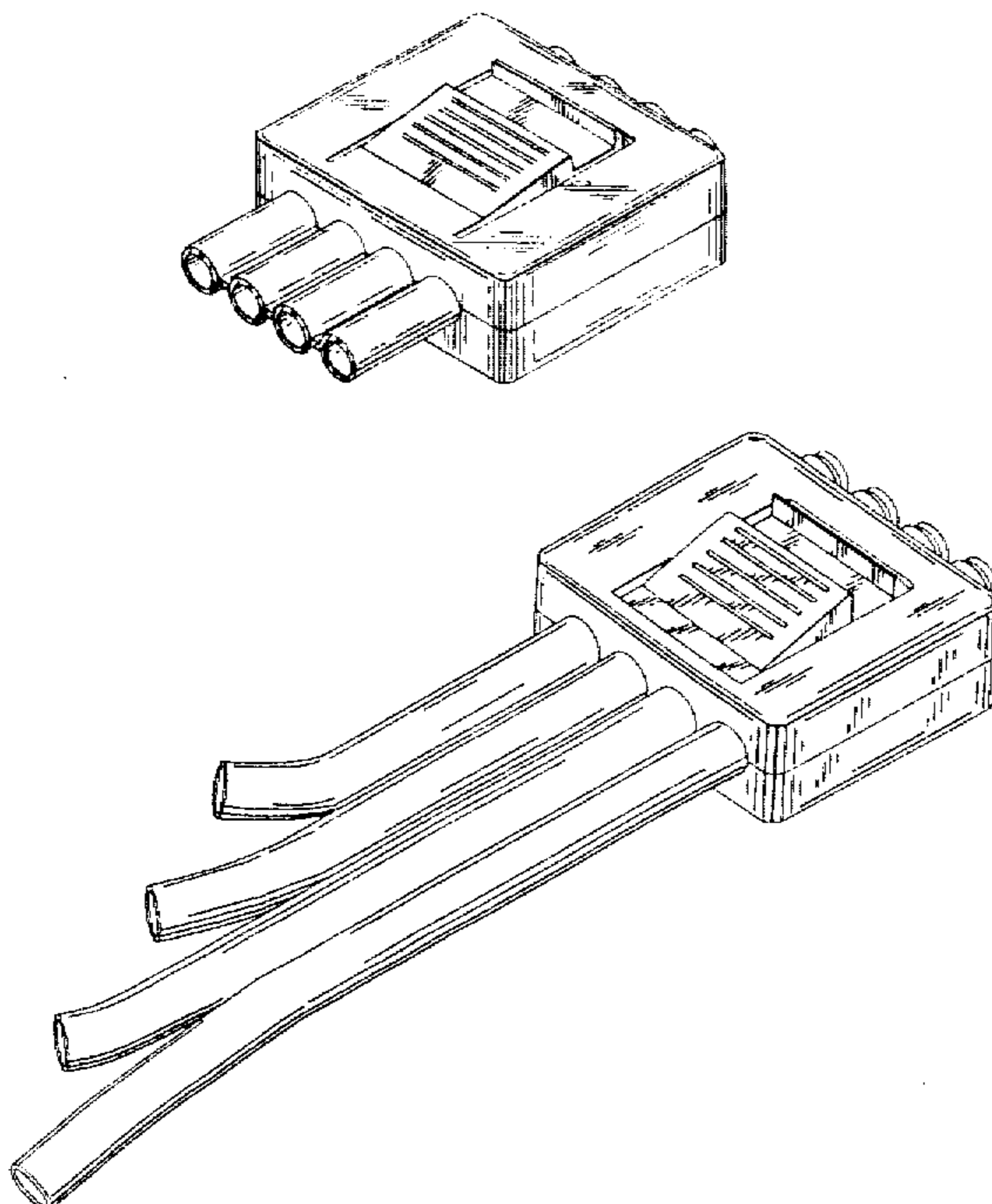
FIG. 11 is a bottom plan view of the multi-channel conduit for treating deep vein thrombosis illustrated in FIG. 8;

FIG. 12 is a bottom view of the multi-channel conduit for treating deep vein thrombosis illustrated in FIG. 8;

FIG. 13 is a back view of the multi-channel conduit for treating deep vein thrombosis illustrated in FIG. 8; and,

FIG. 14 is a front view of the multi-channel conduit for treating deep vein thrombosis illustrated in FIG. 8.

1 Claim, 6 Drawing Sheets



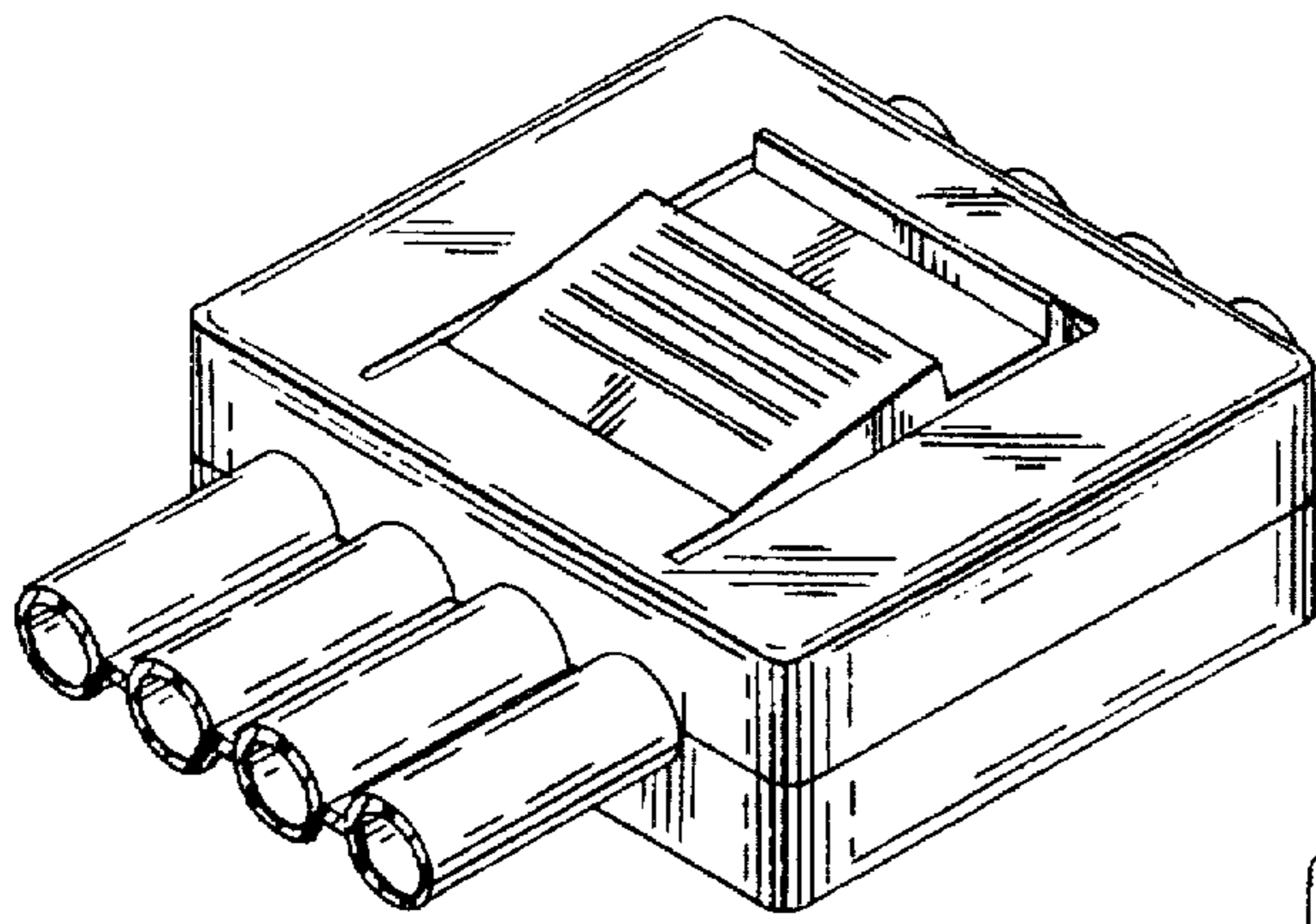


FIG. 1.

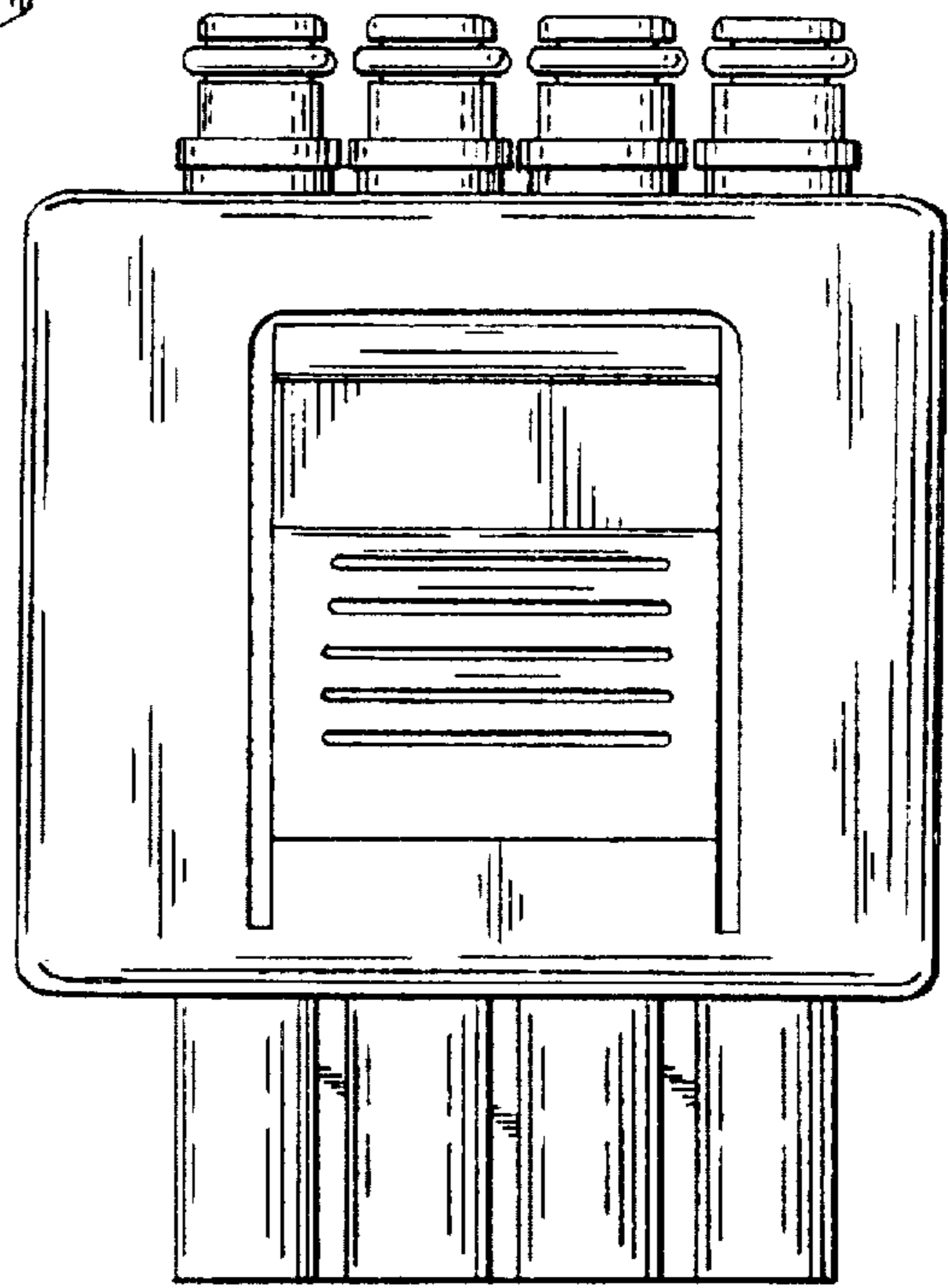


FIG. 2.

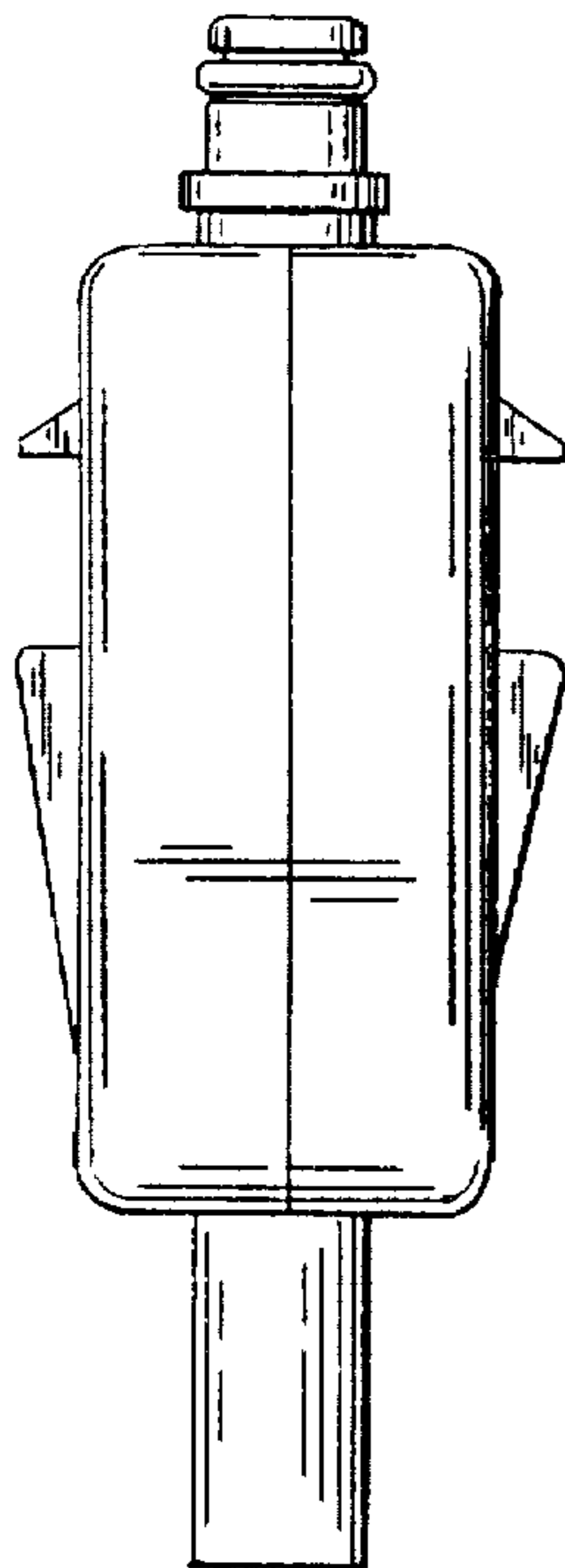


FIG. 3.

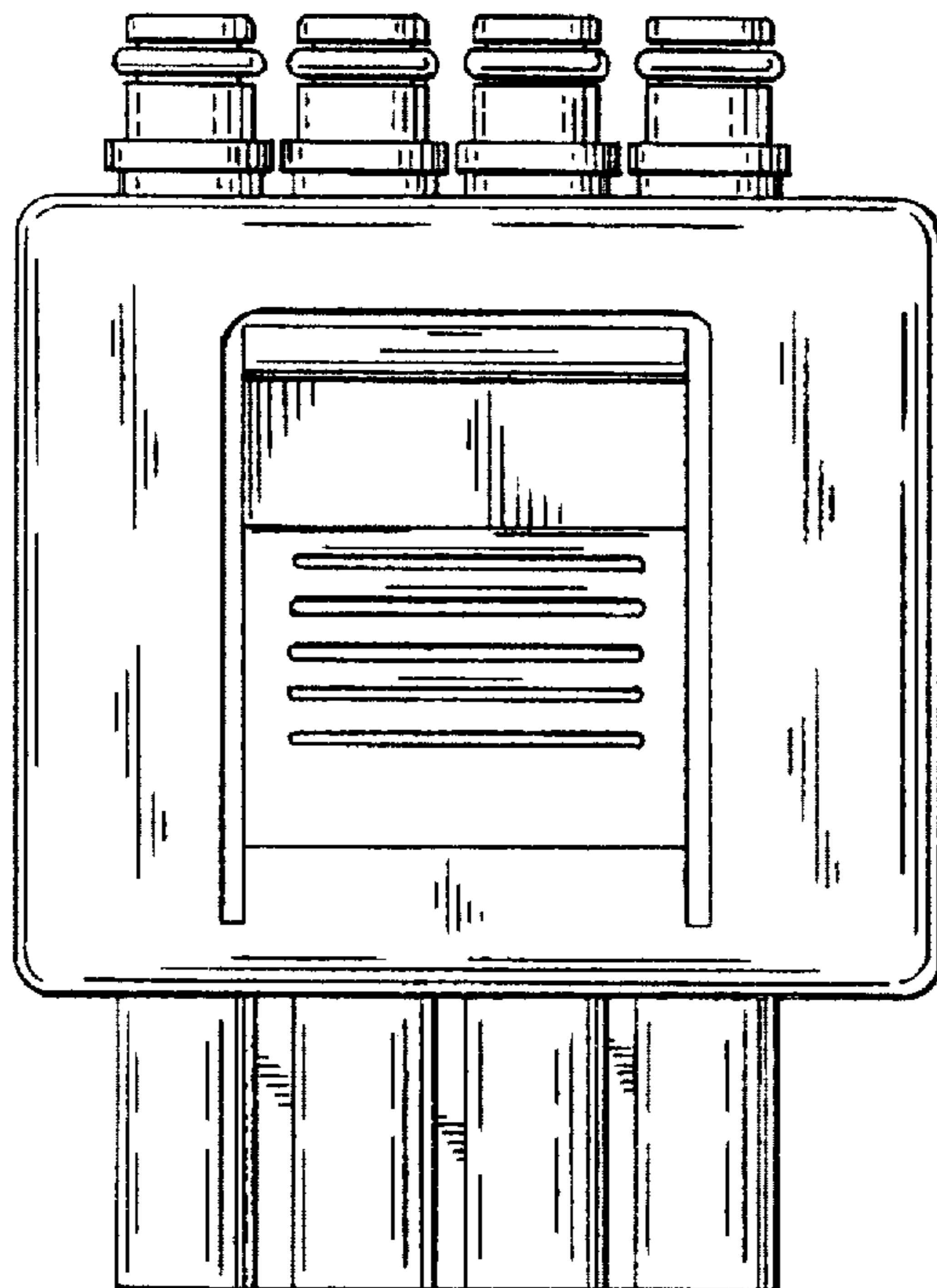


FIG. 4.

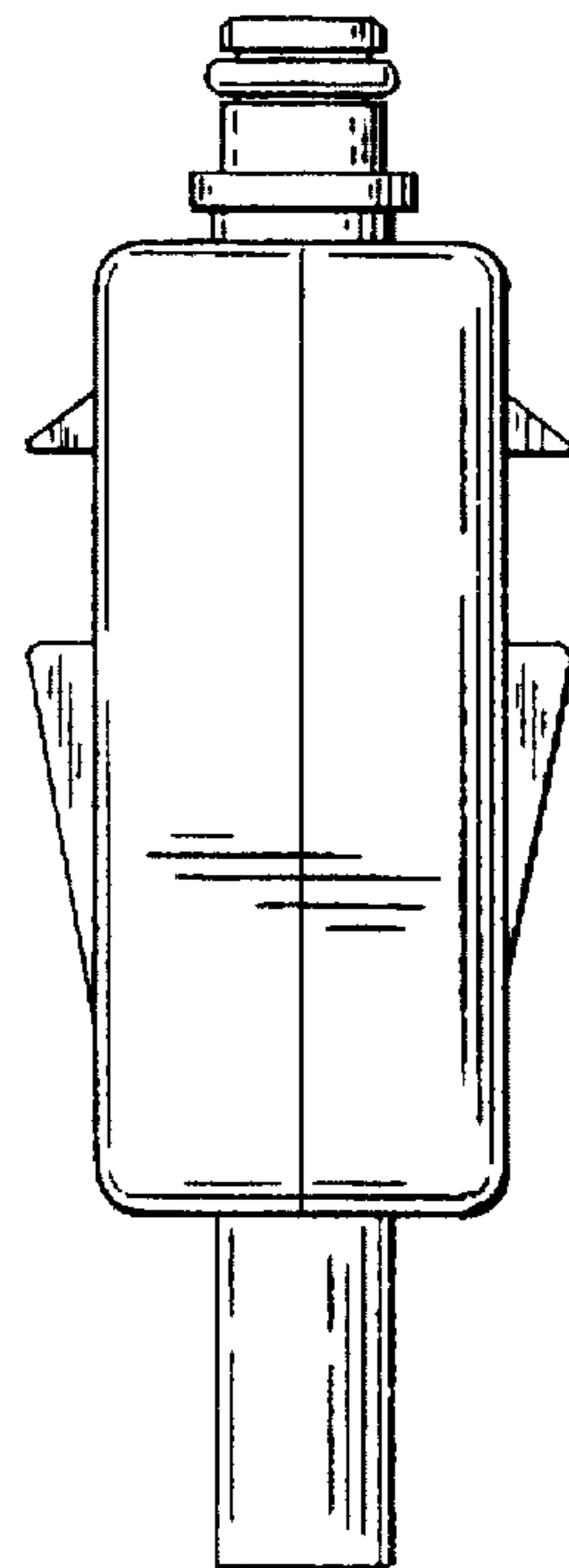


FIG. 5.

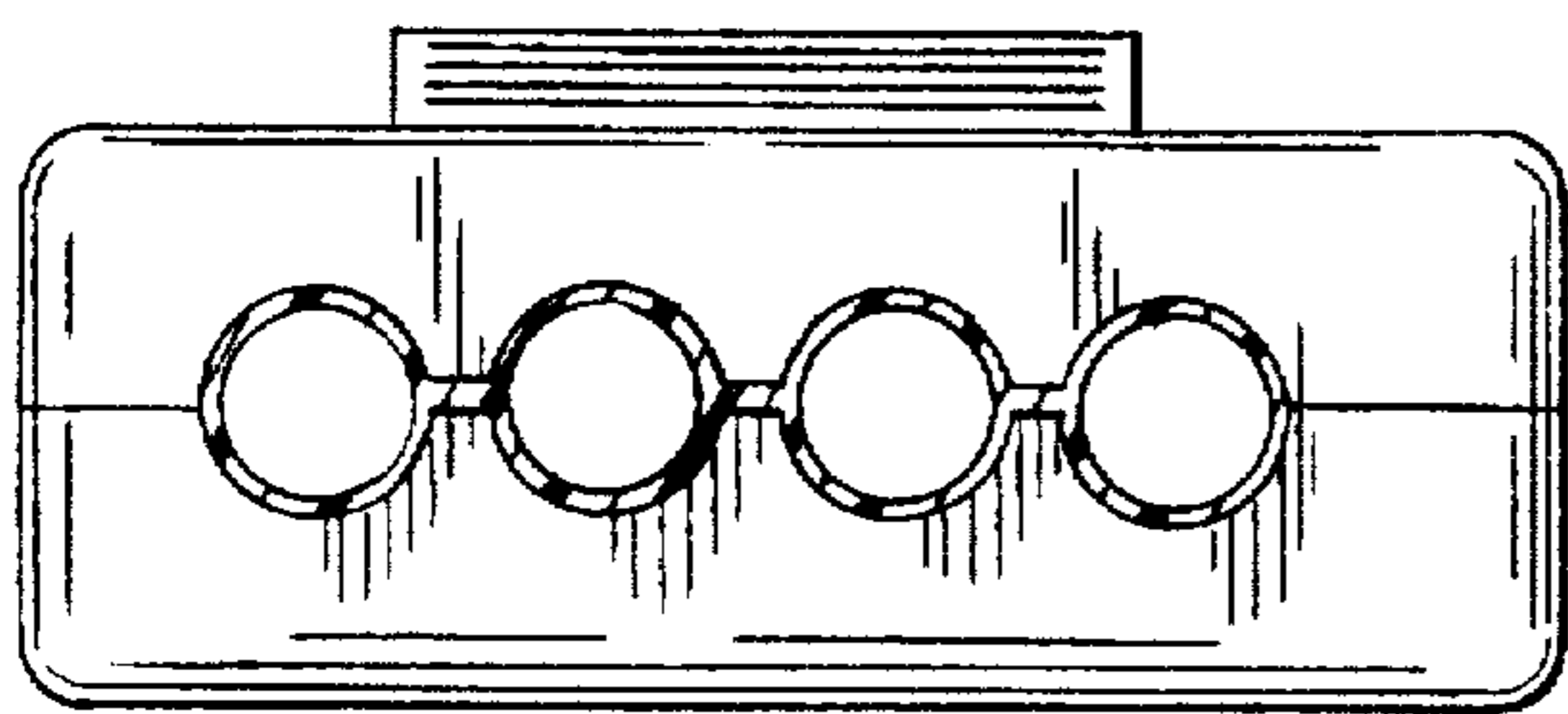


FIG. 6.

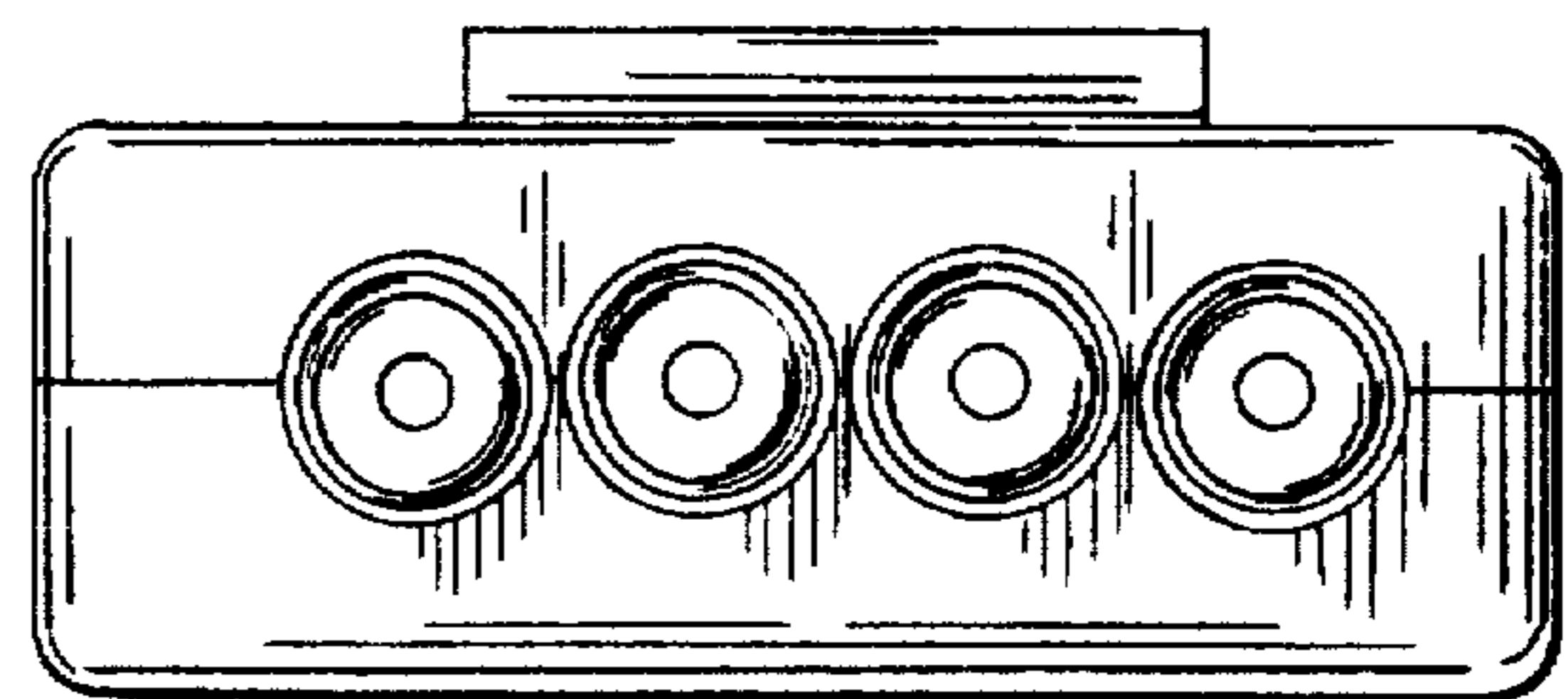


FIG. 7.

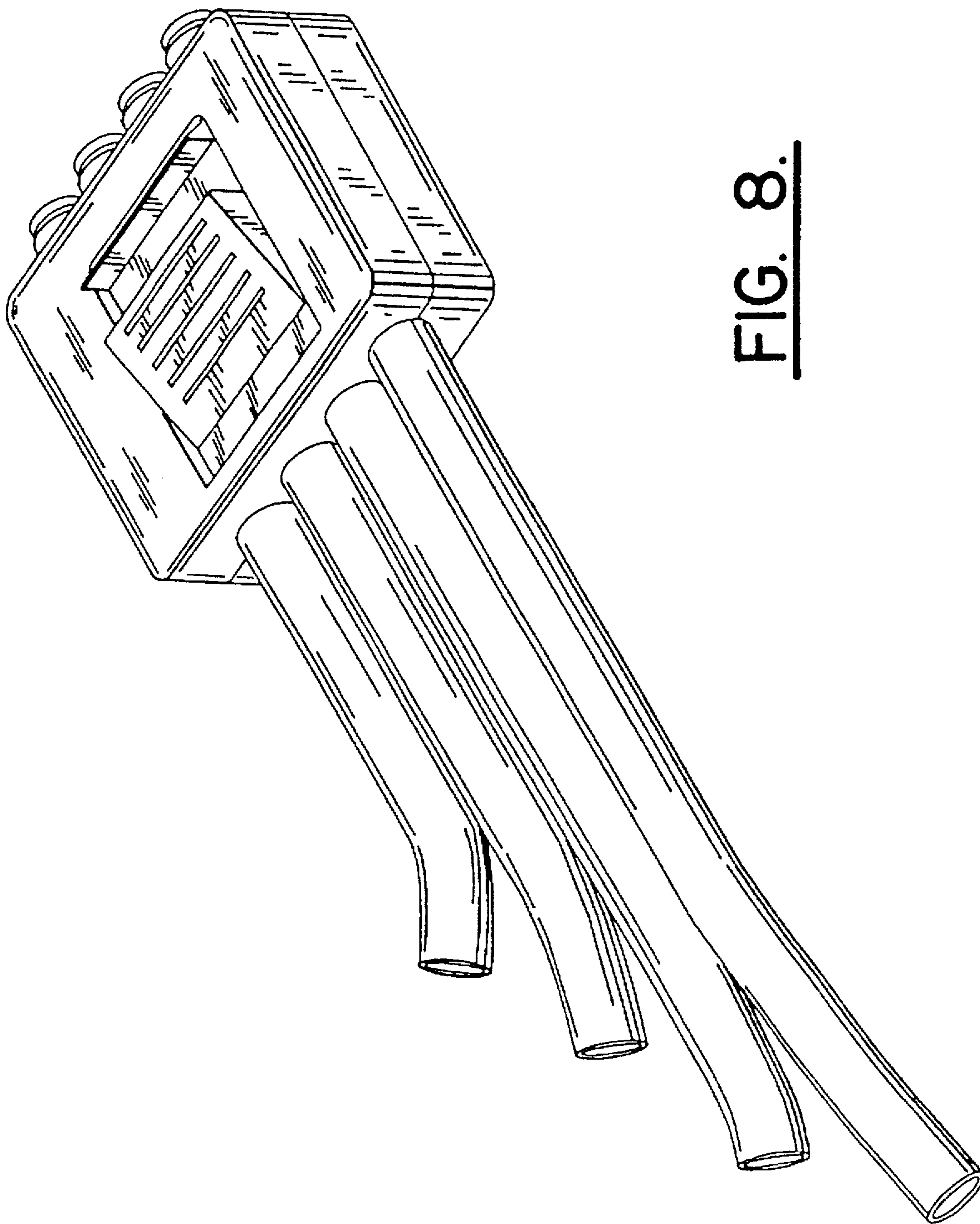


FIG. 8.

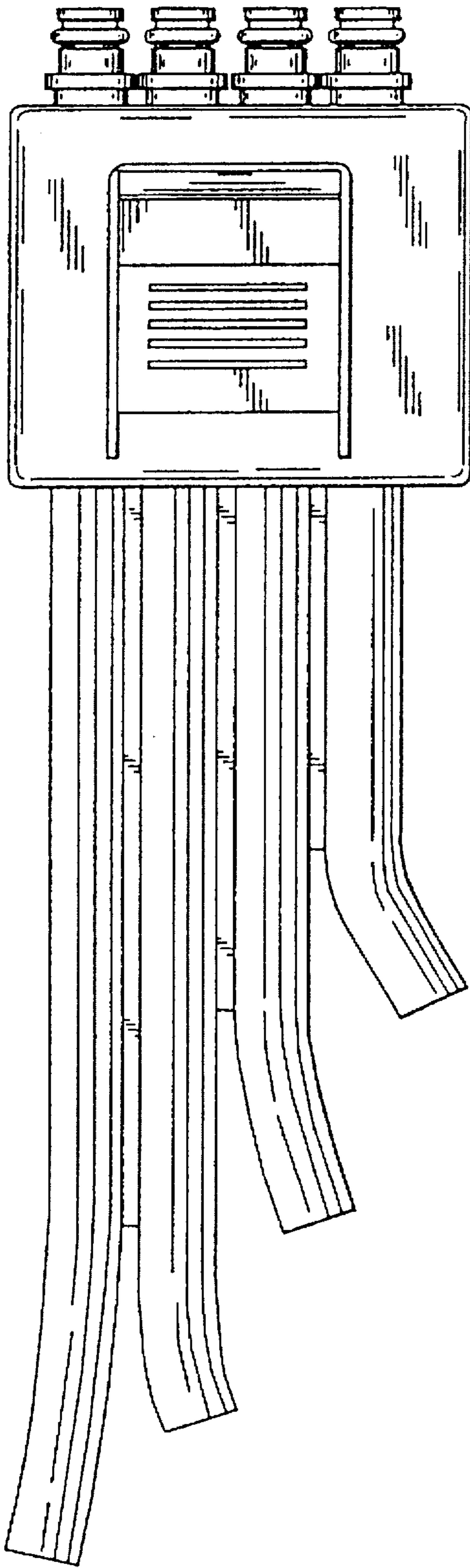


FIG. 9.

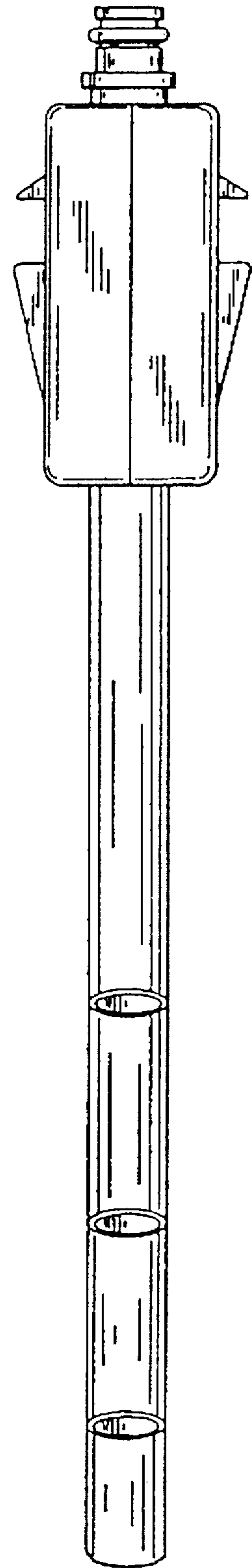


FIG. 10.

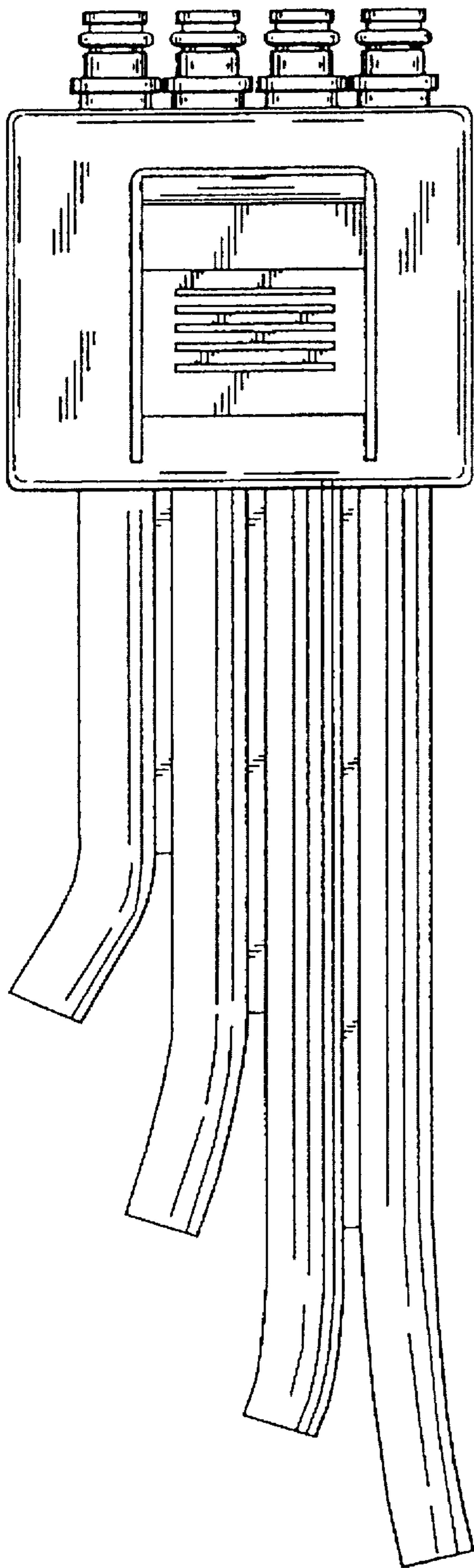


FIG. 11.

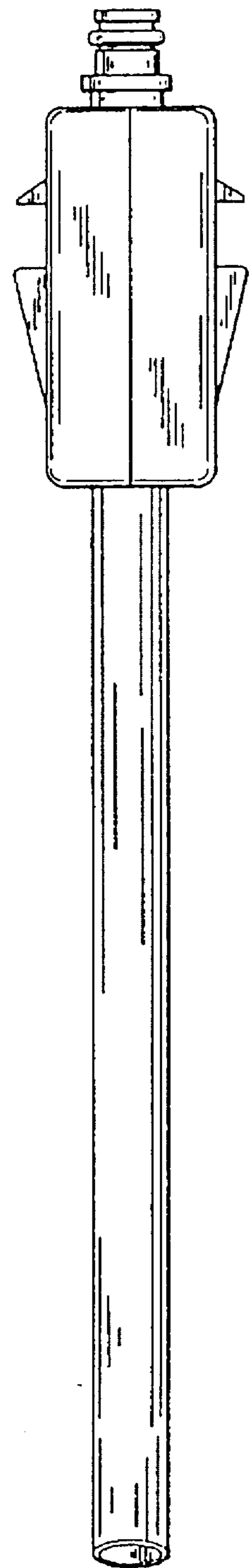


FIG. 12.

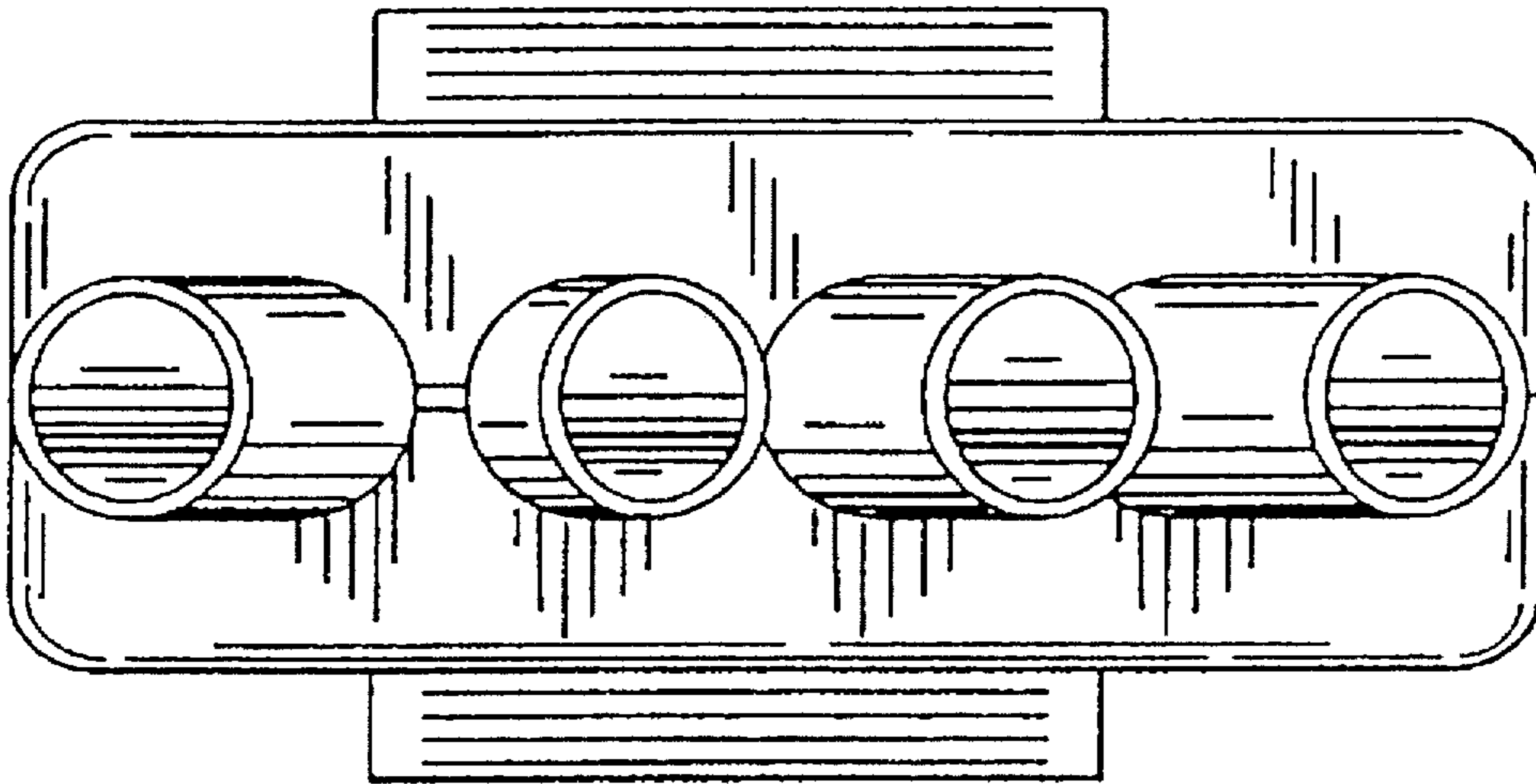


FIG. 13.

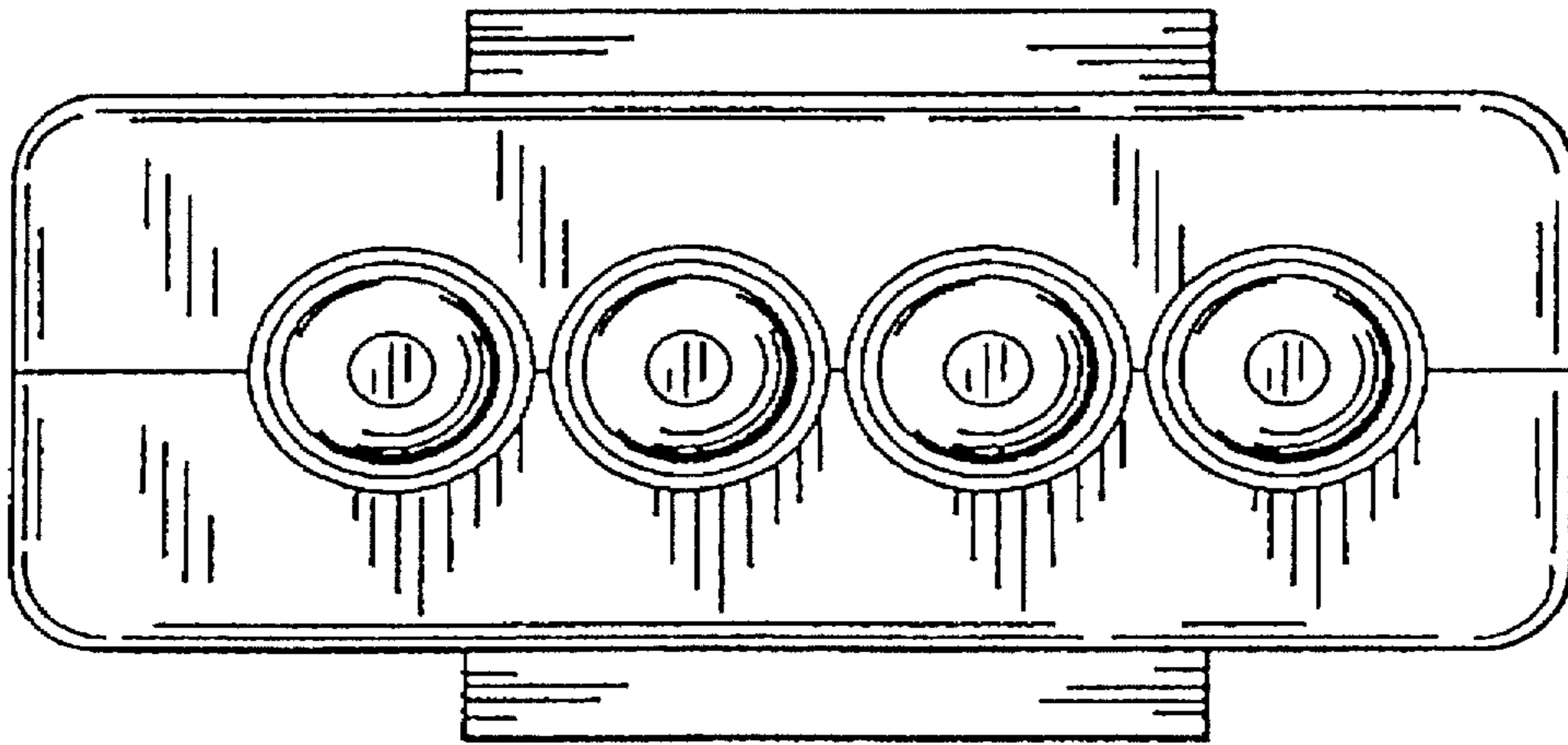


FIG. 14.

UNITED STATES PATENT AND TRADEMARK OFFICE
CERTIFICATE OF CORRECTION

PATENT NO. : Des. 373,191
DATED : August 27, 1996
INVENTOR(S) : Philip P. Ribando, et al.

It is certified that error appears in the above-identified patent and that said Letters Patent is hereby corrected as shown below:

On the cover page, Column 1, Publication References, line 3, delete "Health Care" and insert --Healthcare-- therefor.

On the cover page, Column 2, Description of the Drawings, line 9, omit "and".

On the cover page, Column 2, lines 13, 15, 17, 19, 21 and 23, after "conduit" insert --connector--.

On the cover page, Column 2, line 22, after "and" omit the comma (,).

Signed and Sealed this
Twenty-fifth Day of March, 1997

Attest:



BRUCE LEHMAN

Attesting Officer

Commissioner of Patents and Trademarks