



US00D373190S

United States Patent [19] Monson

[11] Patent Number: **Des. 373,190**

[45] Date of Patent: ****Aug. 27, 1996**

[54] **SMOKE EVACUATOR FOR AN ELECTROCAUTERY SCALPEL**

[75] Inventor: **Donald R. Monson**, West St. Paul, Minn.

[73] Assignee: **Donaldson Company, Inc.**, Minneapolis, Minn.

[**] Term: **14 Years**

[21] Appl. No.: **29,445**

[22] Filed: **Oct. 6, 1994**

[52] U.S. Cl. **D24/112; D24/144**

[58] Field of Search **D24/144, 112, D24/170; 606/32, 39, 40, 47, 46, 49, 42, 50, 37, 45, 35; 604/902, 34, 35**

5,242,442 9/1993 Hirschfield .
 5,269,781 12/1993 Hewell, III .
 5,318,565 6/1994 Kuriloff et al. 606/42 X
 5,413,575 5/1995 Haenggi 606/45

OTHER PUBLICATIONS

J. S. Calder et al., *Annals of the Royal College of Surgeons of England*, "Smoke Evacuation During Surgery," pp. 854-855 (1992) vol. 74,370.

Primary Examiner—Louis S. Zarfaz
Assistant Examiner—I. Simmons
Attorney, Agent, or Firm—Merchant, Gould, Smith, Edell, Welter & Schmidt

[57] CLAIM

The ornamental design for a smoke evacuator for an electrocautery scalpel, as shown and described.

DESCRIPTION

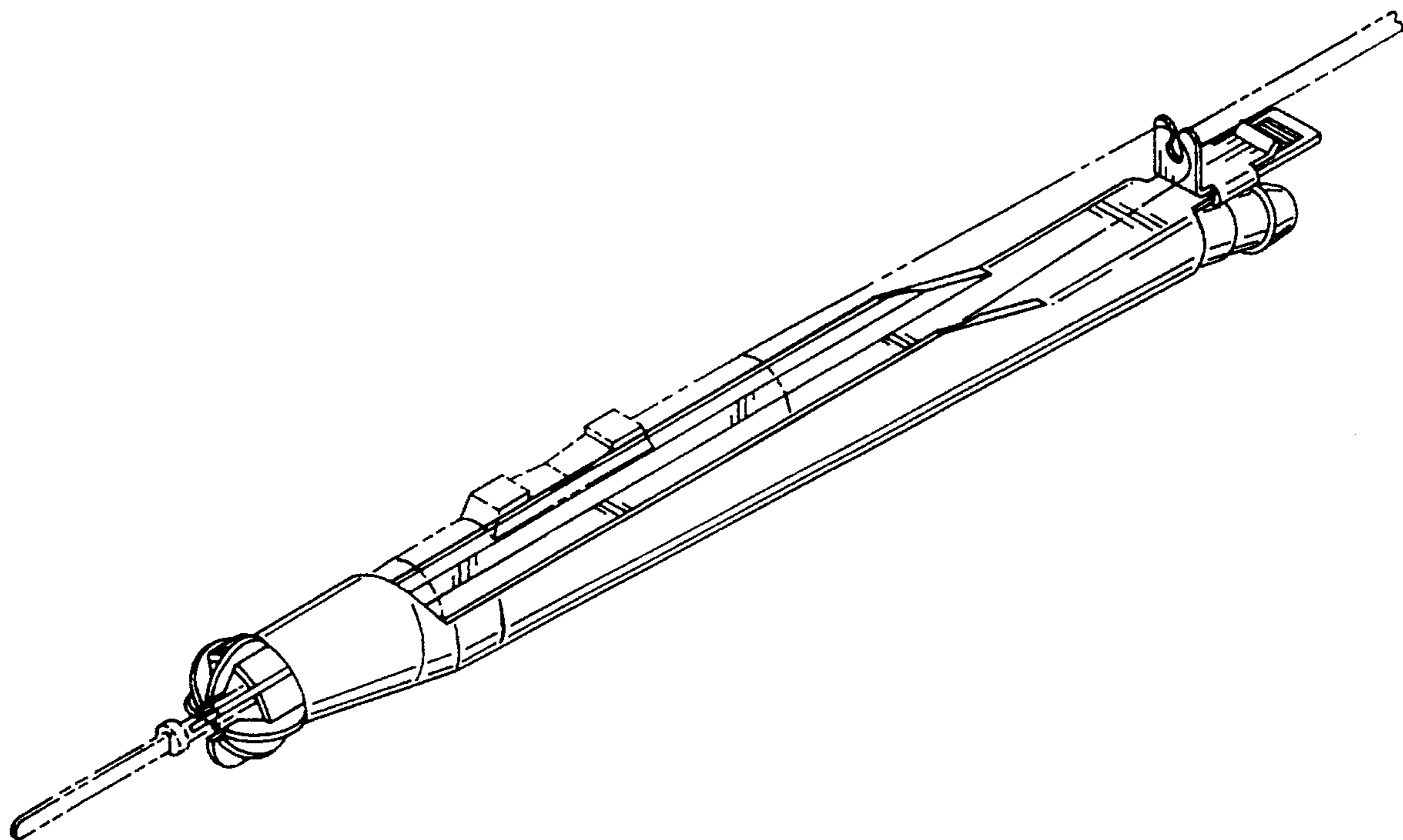
FIG. 1 is a perspective view of a smoke evacuator for an electrocautery scalpel showing my new design, the broken line showing of the electrocautery scalpel is for illustrative purposes only and forms no part of the claimed design; FIG. 2 is a side view thereof, the opposite side of that shown being a mirror image; FIG. 3 is a top view thereof; FIG. 4 is a bottom view thereof; FIG. 5 is a front view thereof; and, FIG. 6 is a back view thereof.

1 Claim, 3 Drawing Sheets

References Cited

U.S. PATENT DOCUMENTS

| | | | |
|------------|---------|------------------------|----------|
| D. 330,253 | 10/1992 | Burek | D24/144 |
| 4,719,914 | 1/1988 | Johnson . | |
| 4,919,129 | 4/1990 | Weber, Jr. et al. . | |
| 4,960,419 | 10/1990 | Rosenberg . | |
| 5,055,100 | 10/1991 | Olsen . | |
| 5,061,268 | 10/1991 | Fleenor . | |
| 5,071,418 | 12/1991 | Rosenbaum . | |
| 5,085,657 | 2/1992 | Ben-Simhon . | |
| 5,088,997 | 2/1992 | Delahuerya et al. | 606/37 X |
| 5,154,709 | 10/1992 | Johnson . | |
| 5,192,267 | 3/1993 | Shapira et al. . | |
| 5,234,428 | 8/1993 | Kaufman . | |



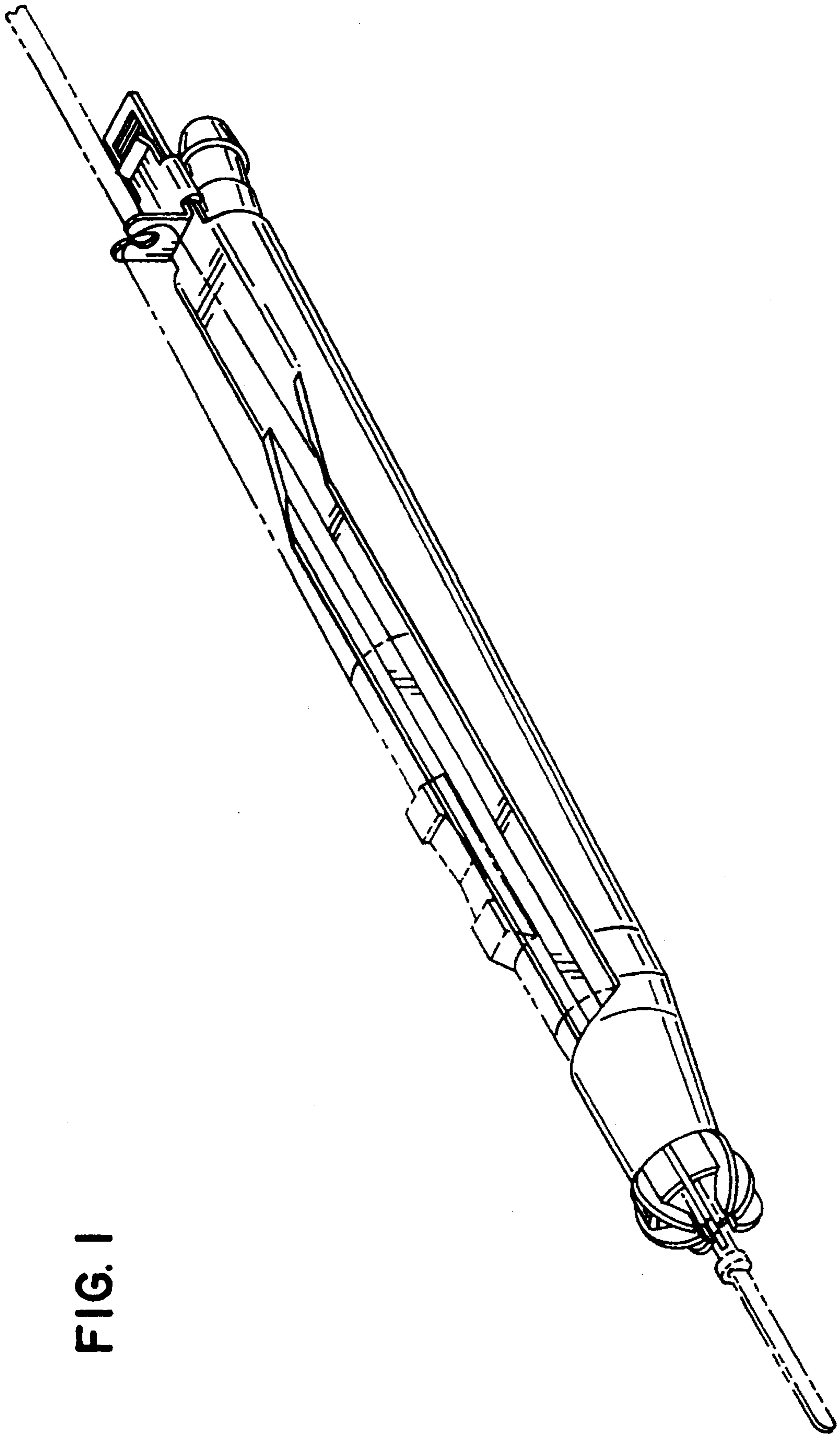


FIG. 1

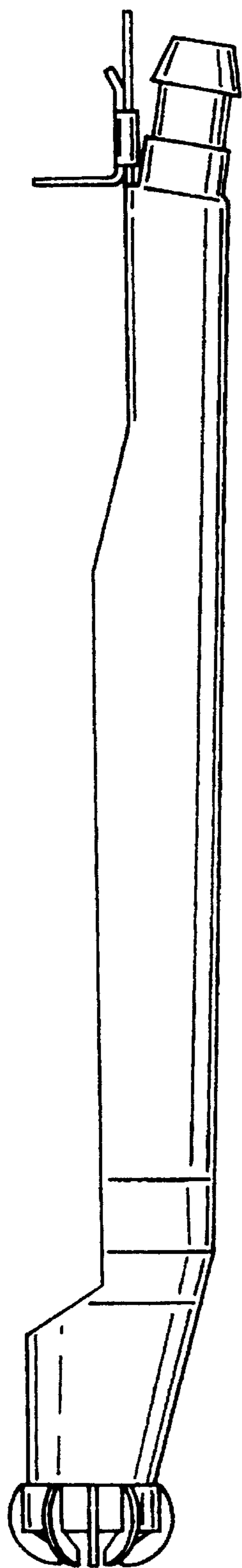


FIG. 2

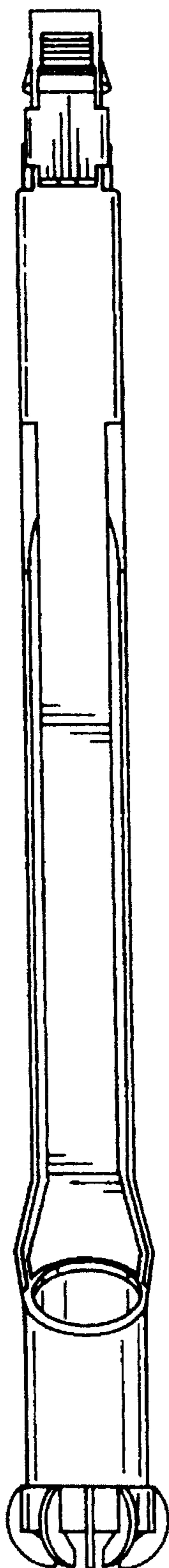


FIG. 3

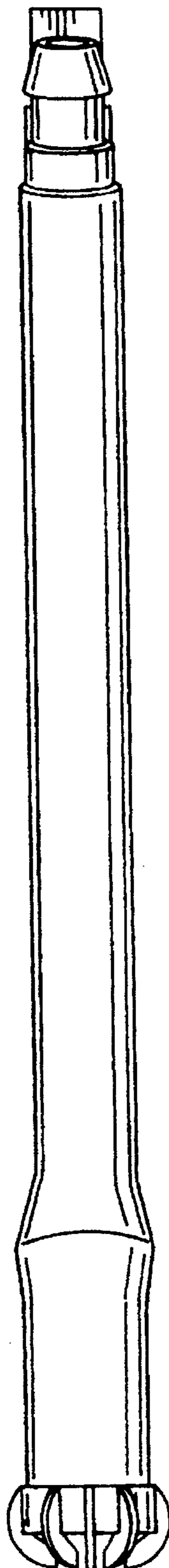


FIG. 4

FIG. 5

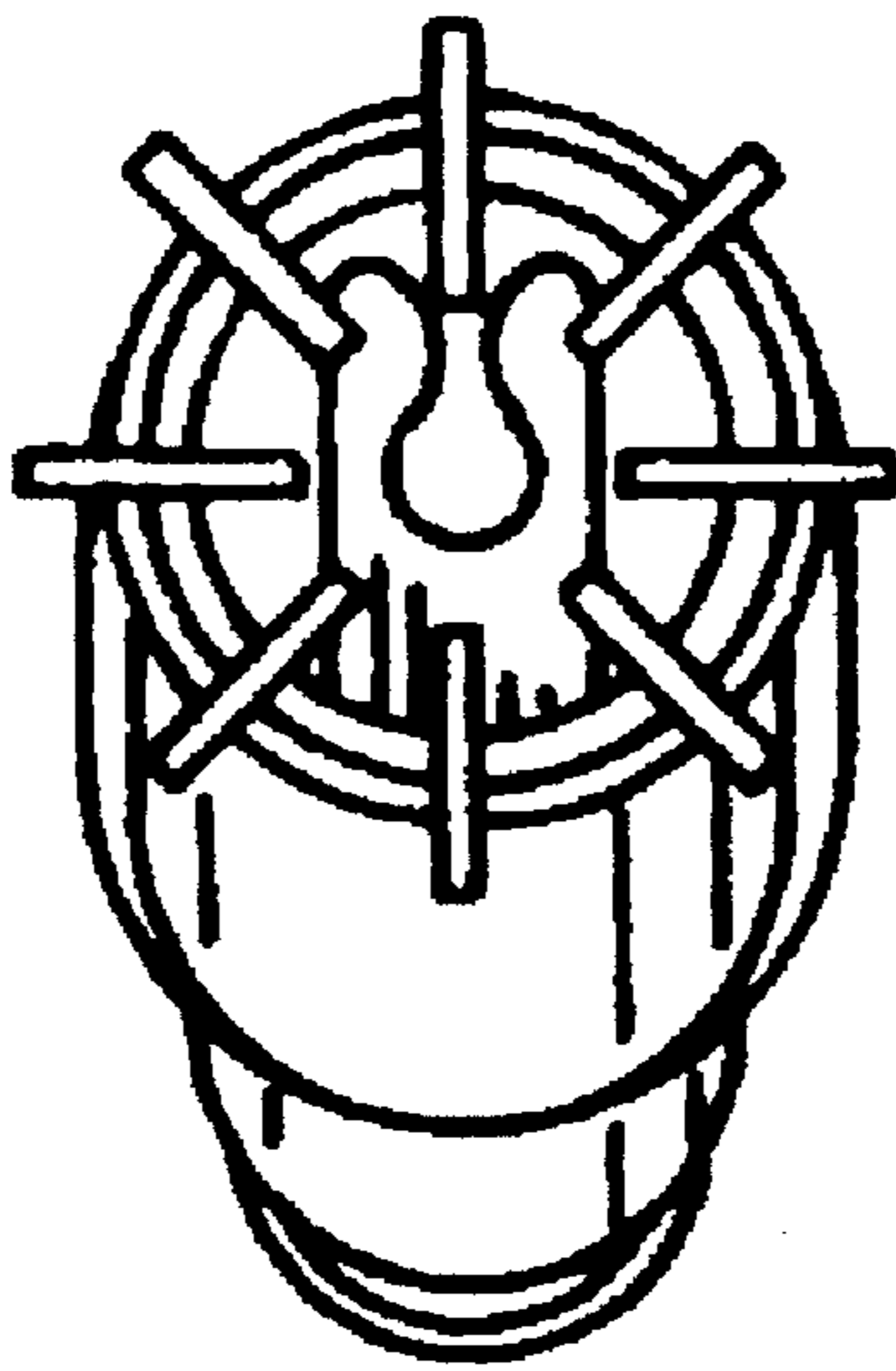


FIG. 6

