



US00D373187S

# United States Patent [19]

[11] Patent Number: **Des. 373,187**

Dickinson et al.

[45] Date of Patent: **\*\*Aug. 27, 1996**

## [54] PHARMACEUTICAL TABLET

[75] Inventors: **Jeffrey Dickinson; Karrar A. Khan,**  
both of Nottingham, United Kingdom

[73] Assignee: **The Boots Company PLC,**  
Nottingham, United Kingdom

[\*\*] Term: **14 Years**

[21] Appl. No.: **28,237**

[22] Filed: **Sep. 9, 1994**

### [30] Foreign Application Priority Data

Mar. 9, 1994	[GB]	United Kingdom	.....	2037633
Mar. 9, 1994	[GB]	United Kingdom	.....	2037634
Mar. 9, 1994	[GB]	United Kingdom	.....	2037635
Mar. 9, 1994	[GB]	United Kingdom	.....	2037636

[52] U.S. Cl. .... **D24/103**

[58] Field of Search ..... D24/100-4; D1/100,  
D1/106, 115, 121, 127-8, 130, 199; 424/451,  
457, 464, 468-70, 472, 474; D28/8.1, 8.2

### [56] References Cited

#### U.S. PATENT DOCUMENTS

D. 228,456	9/1973	Ninger	.....	D24/103
D. 260,477	9/1981	Jones	.....	D24/103 X
D. 263,172	2/1982	Payne	.....	D24/102
D. 286,919	11/1986	Flockhart et al.	.....	D24/101
D. 302,481	7/1989	Miller et al.	.....	D24/103
D. 316,914	5/1991	Withington	.....	D24/101
D. 334,802	4/1993	Greer et al.	.....	D24/101

#### OTHER PUBLICATIONS

*Physicians' Desk Reference*, 1990, 44th Edition, Synthoid, p. 406; Orap, p. 415; Levoxine, p. 438.

Primary Examiner—M. H. Tung  
Attorney, Agent, or Firm—Nikaido, Marmelstein, Murray & Oram LLP

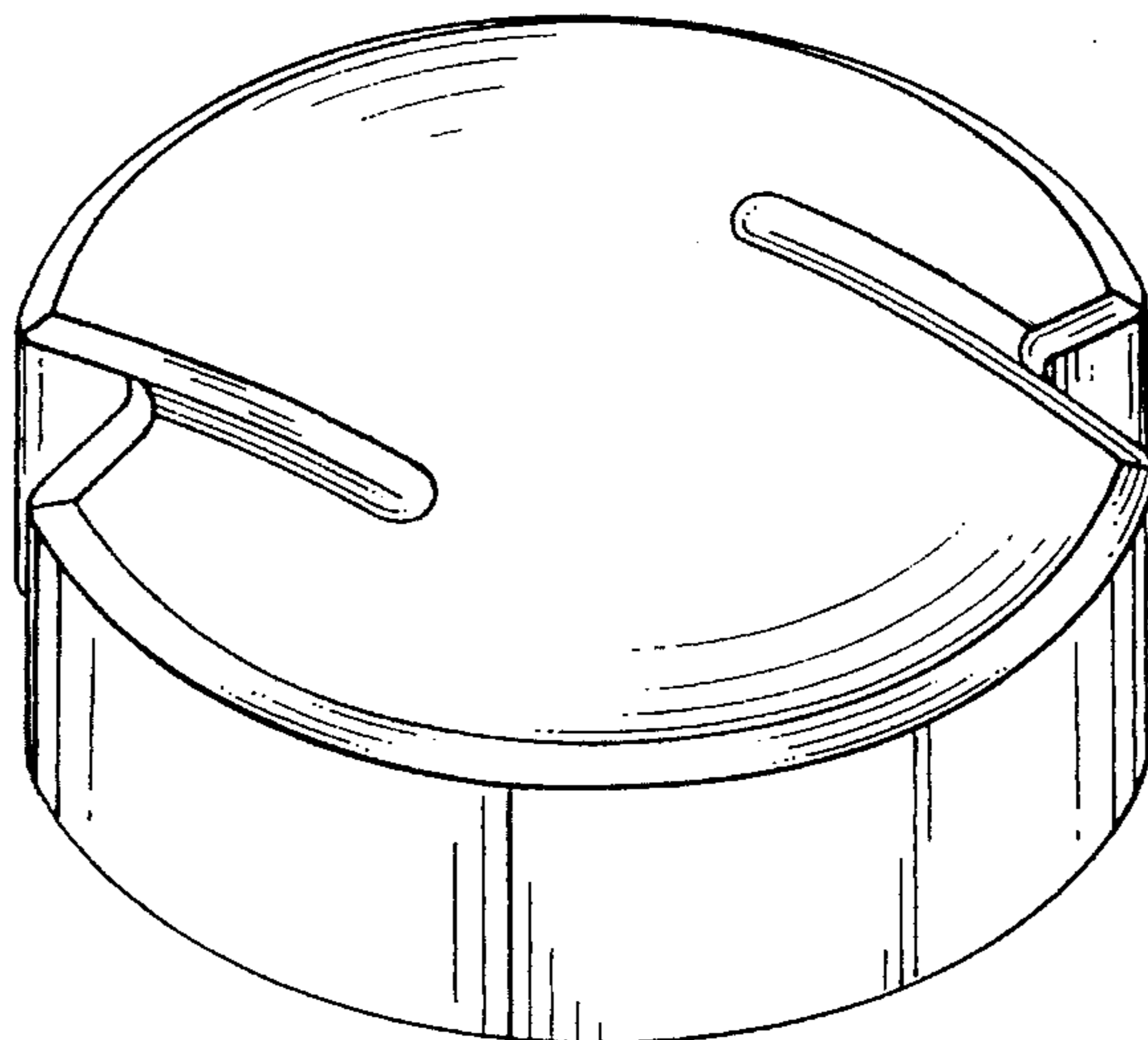
## [57] CLAIM

The ornamental design for a pharmaceutical tablet, as shown and described.

## DESCRIPTION

FIG. 1 is a perspective view of a first embodiment of the tablet of the present invention;  
 FIG. 2 is a top view of the first embodiment of the tablet of the present invention;  
 FIG. 3 is a side view of the first embodiment of the tablet, taken from the point II of FIG. 2 (the opposite side is identical);  
 FIG. 4 is a bottom view of the first embodiment of the tablet of the present invention;  
 FIG. 5 is a side view of the first embodiment of the tablet, taken from the point III of FIG. 2 (the opposite side is identical);  
 FIG. 6 is a perspective view of a second embodiment of the tablet of the present invention;  
 FIG. 7 is a top view of the second embodiment of the tablet of the present invention;  
 FIG. 8 is a side view of the second embodiment of the tablet, taken from the point II of FIG. 7 (the opposite side is identical);  
 FIG. 9 is a bottom view of the second embodiment of the tablet of the present invention;  
 FIG. 10 is a side view of the second embodiment of the tablet, taken from the point III of FIG. 7 (the opposite side is identical);  
 FIG. 11 is a perspective view of a third embodiment of the tablet of the present invention;  
 FIG. 12 is a top view of the third embodiment of the tablet of the present invention;  
 FIG. 13 is a side view of the third embodiment of the tablet, taken from the point II of FIG. 12 (the opposite side is identical);  
 FIG. 14 is a bottom view of the third embodiment of the tablet of the present invention; and,  
 FIG. 15 is a side view of the third embodiment of the tablet, taken from the point III of FIG. 12 (the opposite side is identical).

1 Claim, 9 Drawing Sheets



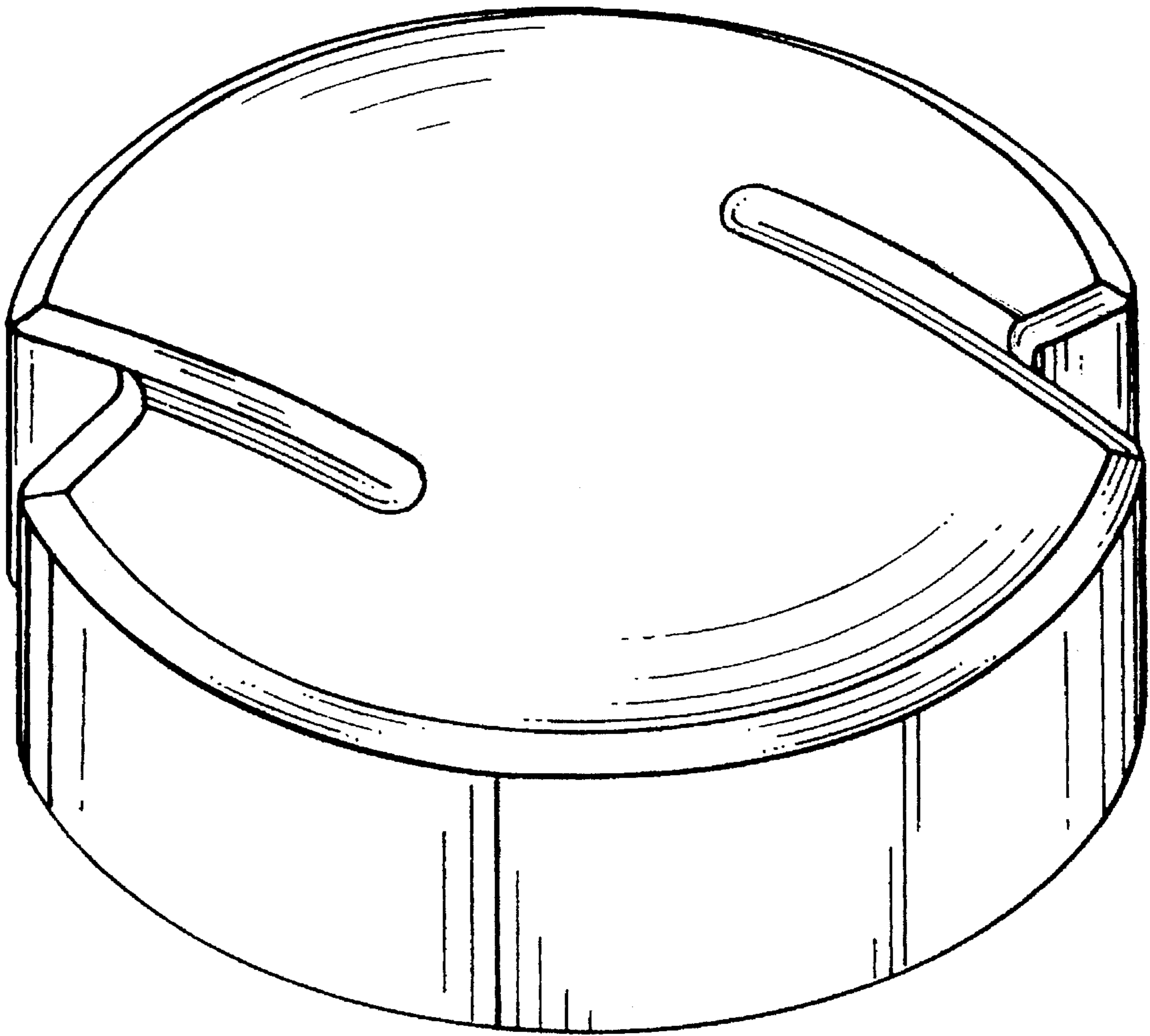


Fig. 1

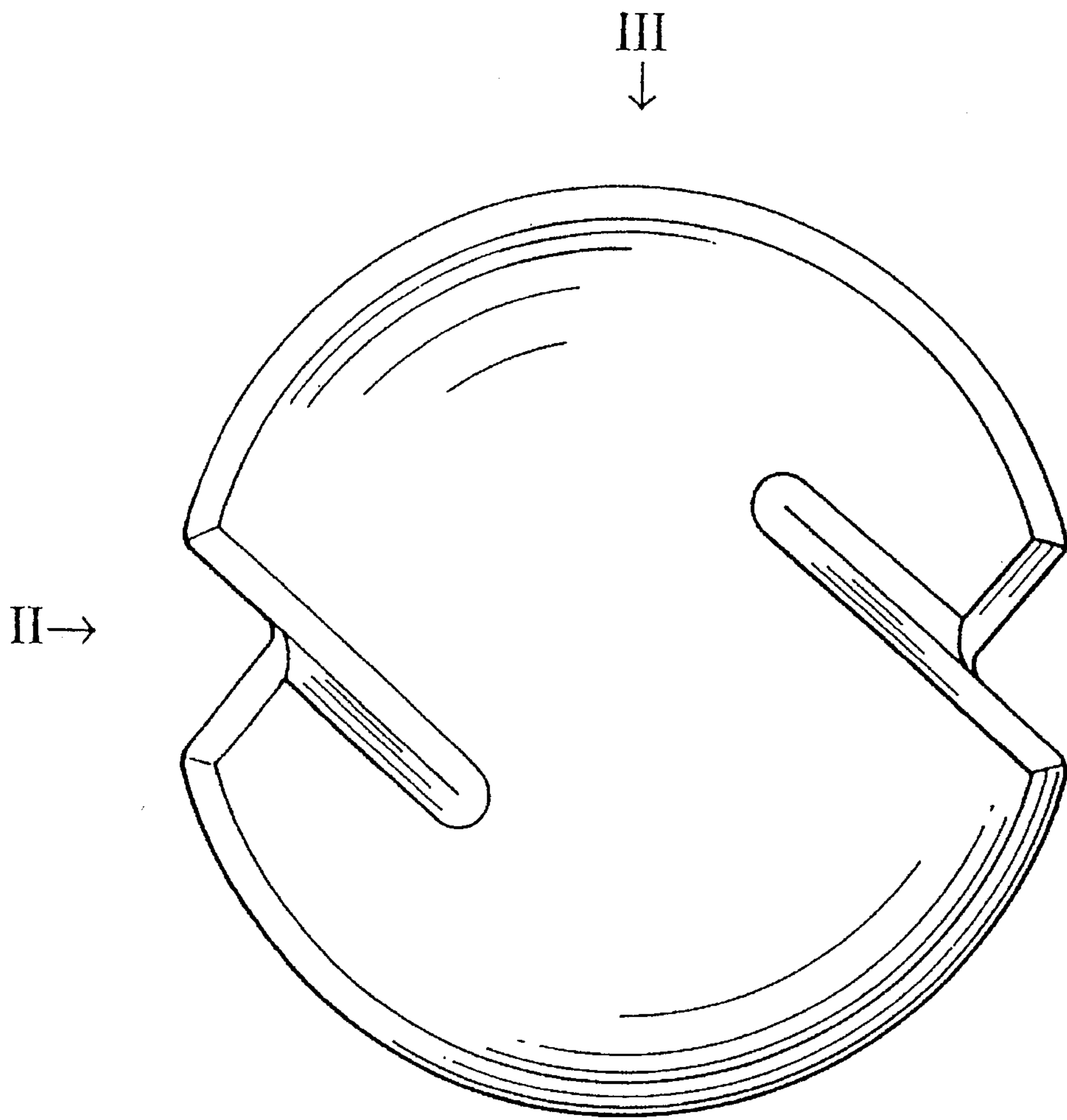


Fig. 2

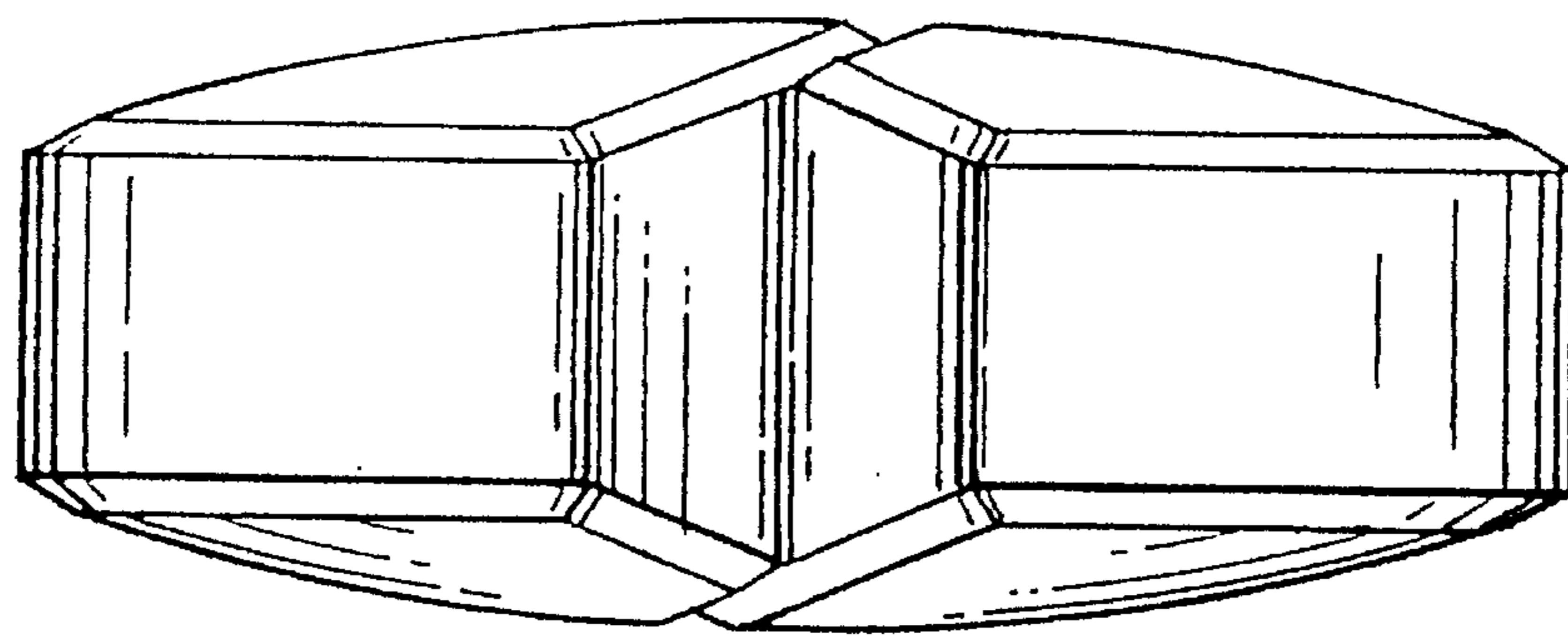


Fig. 3

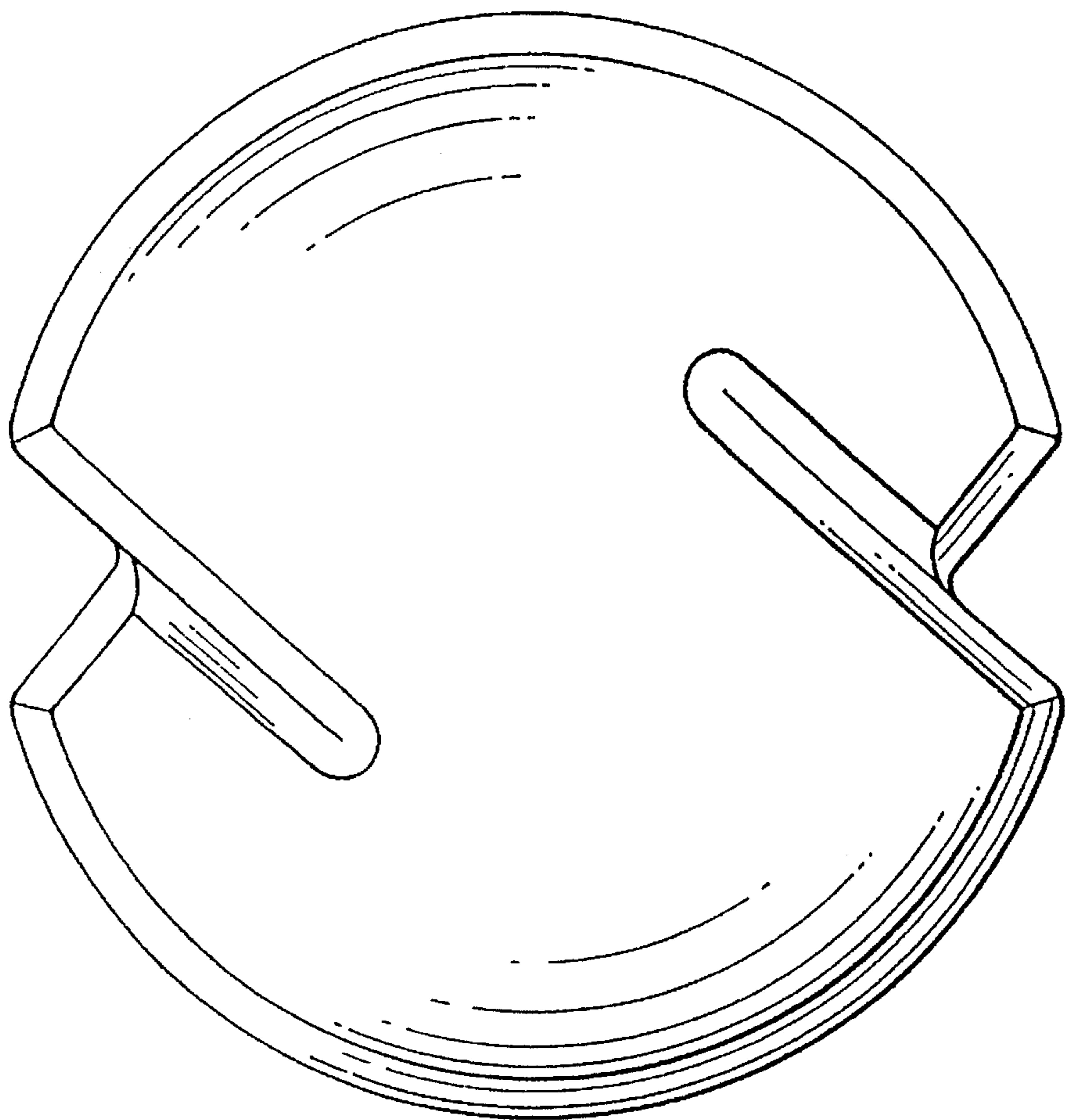


Fig. 4

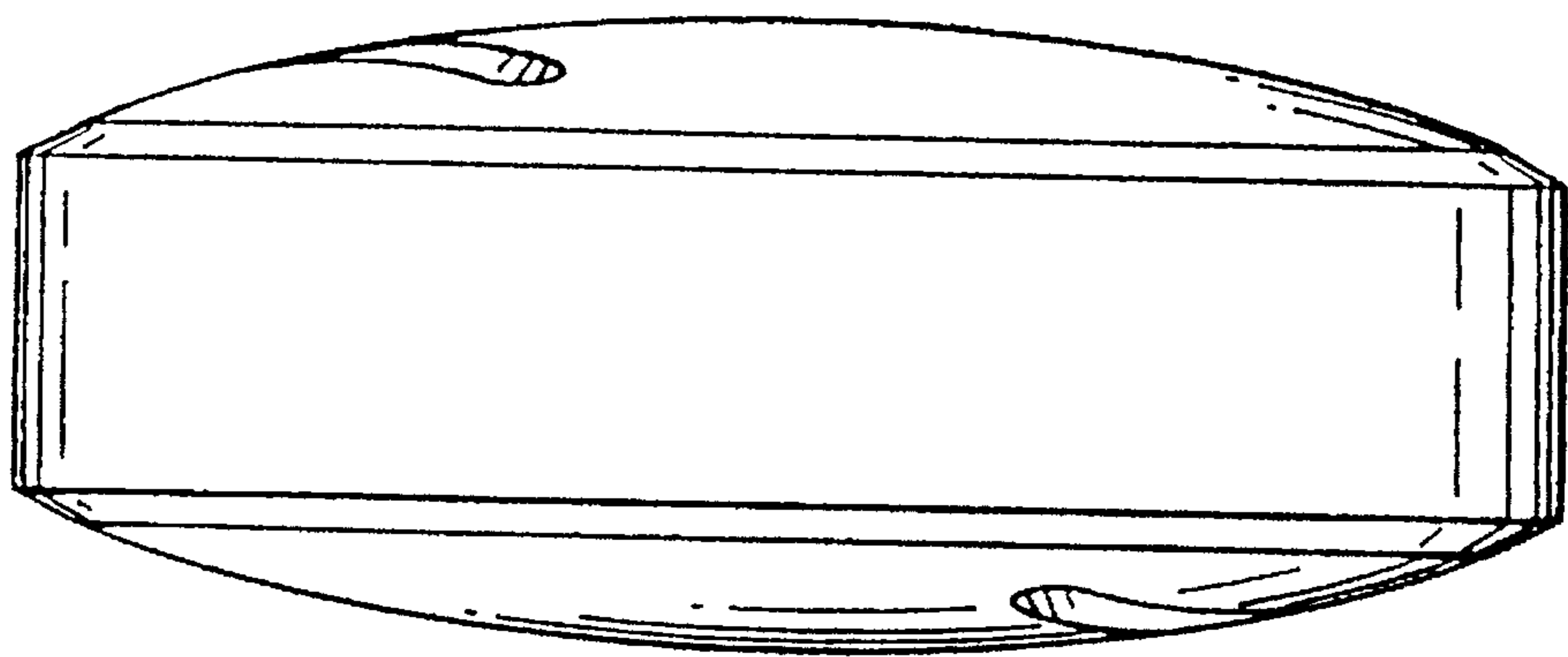


Fig. 5

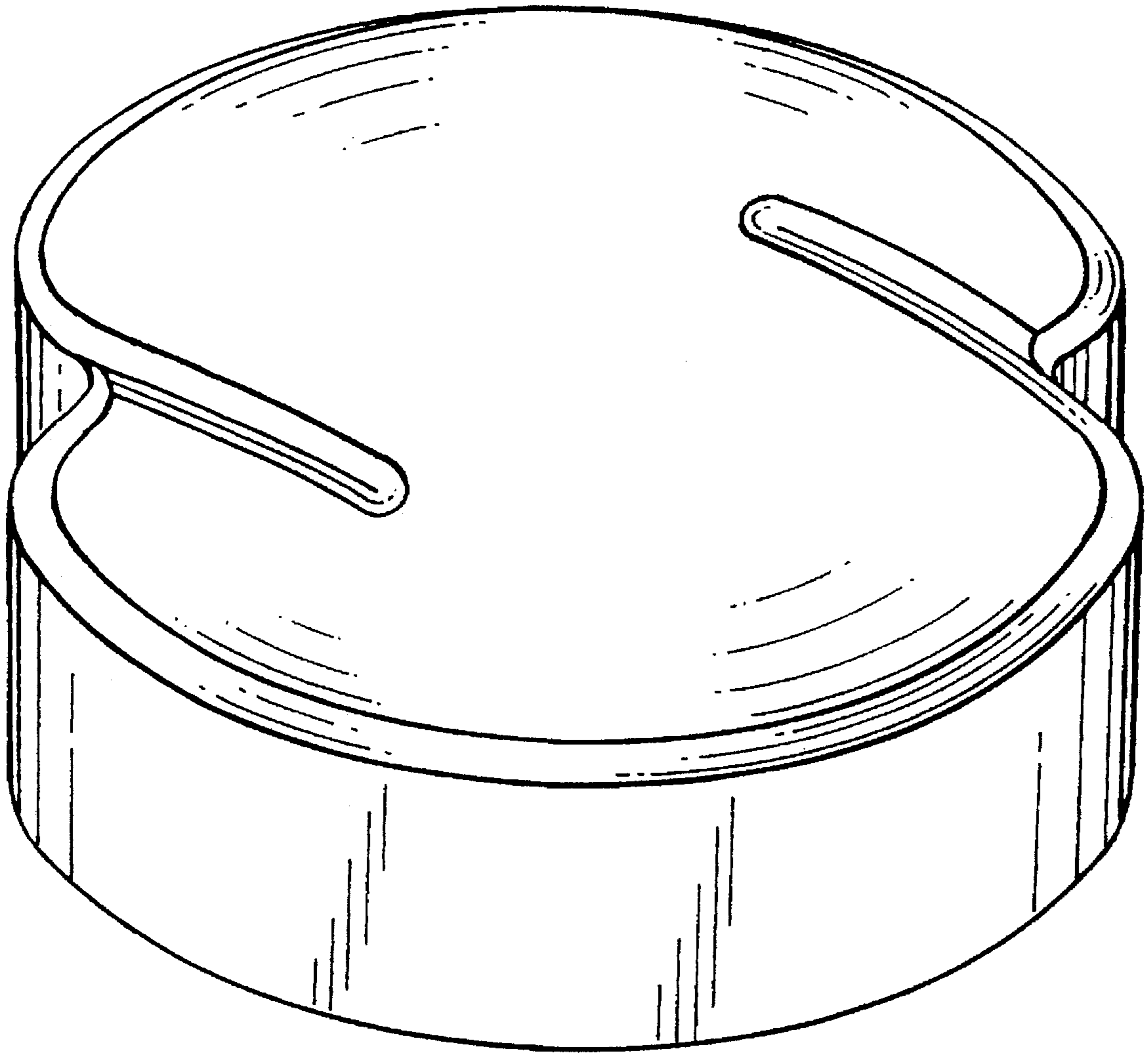


Fig. 6

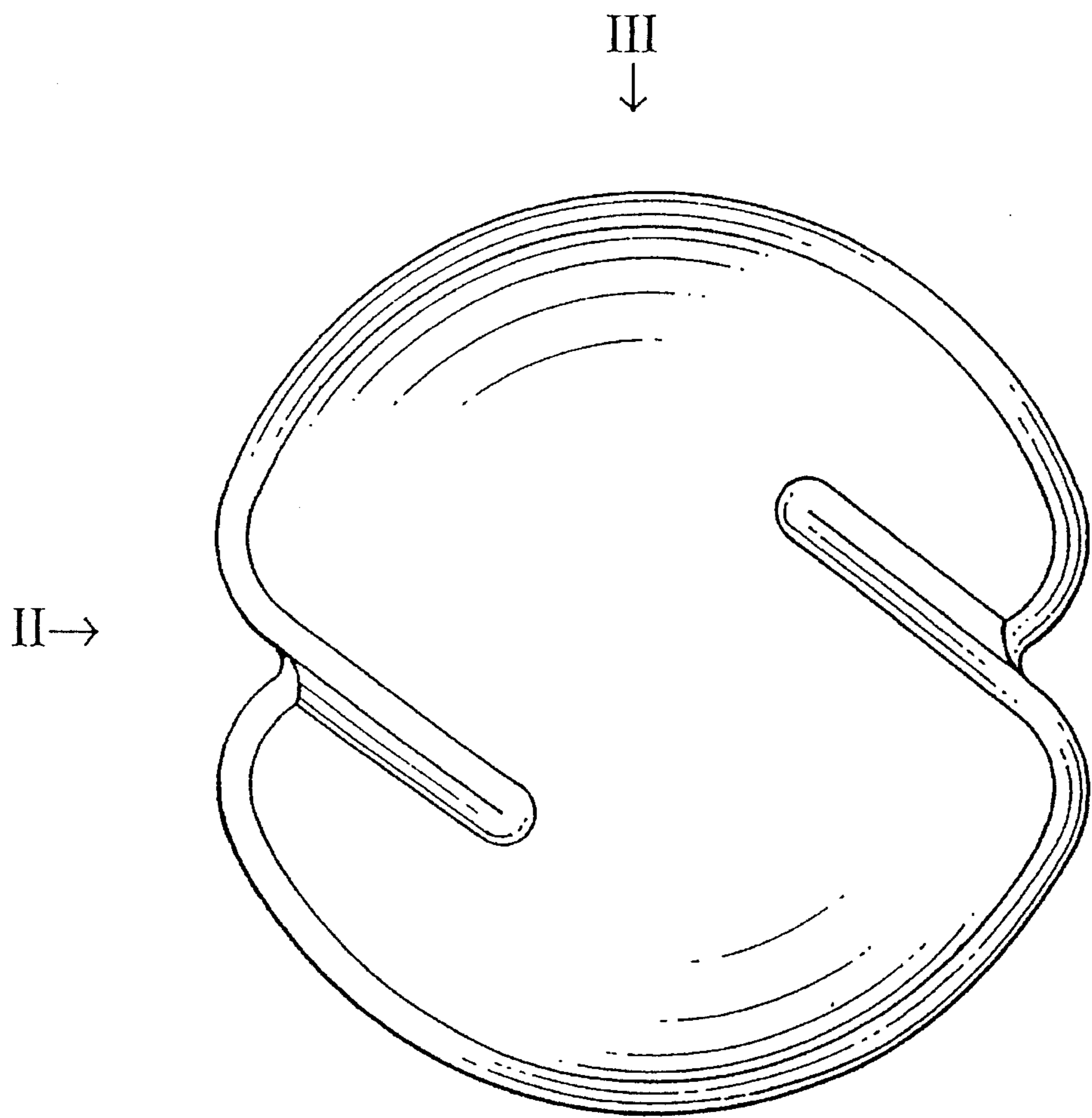


Fig. 7

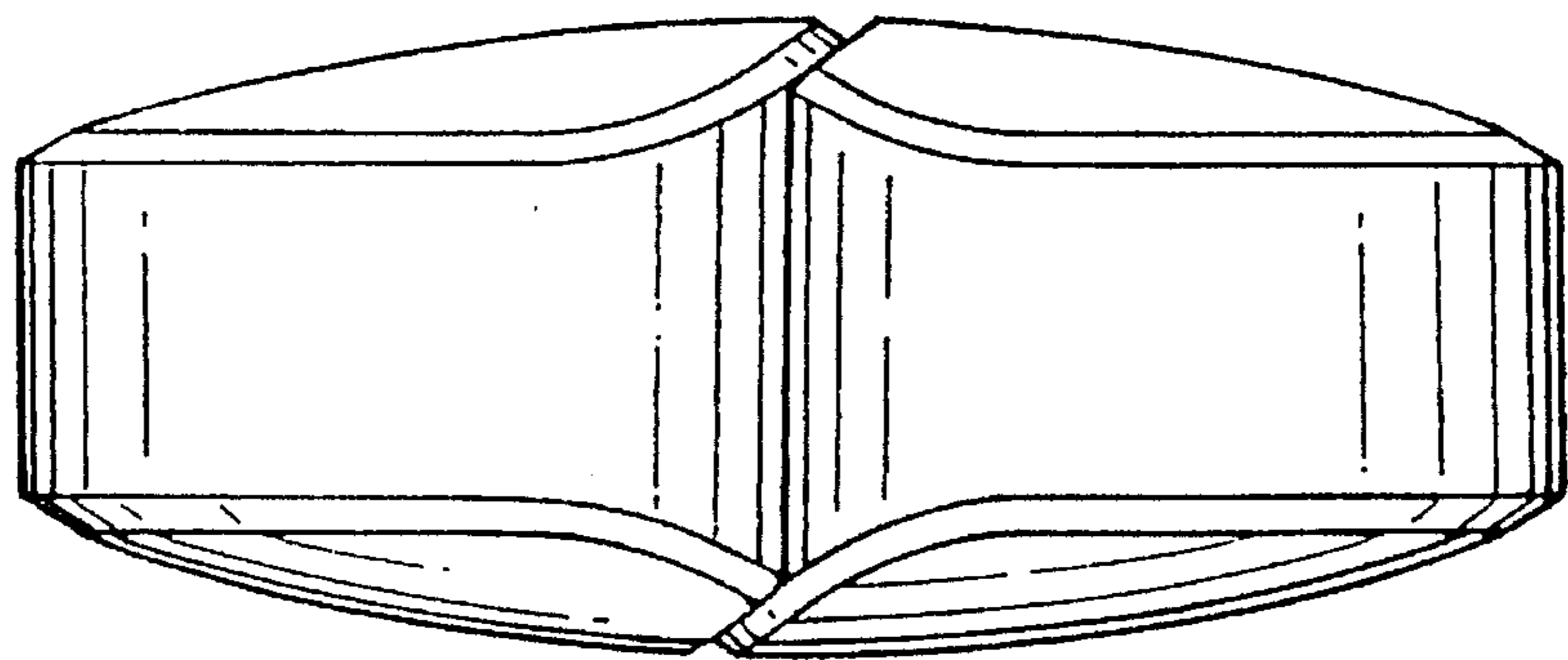


Fig. 8

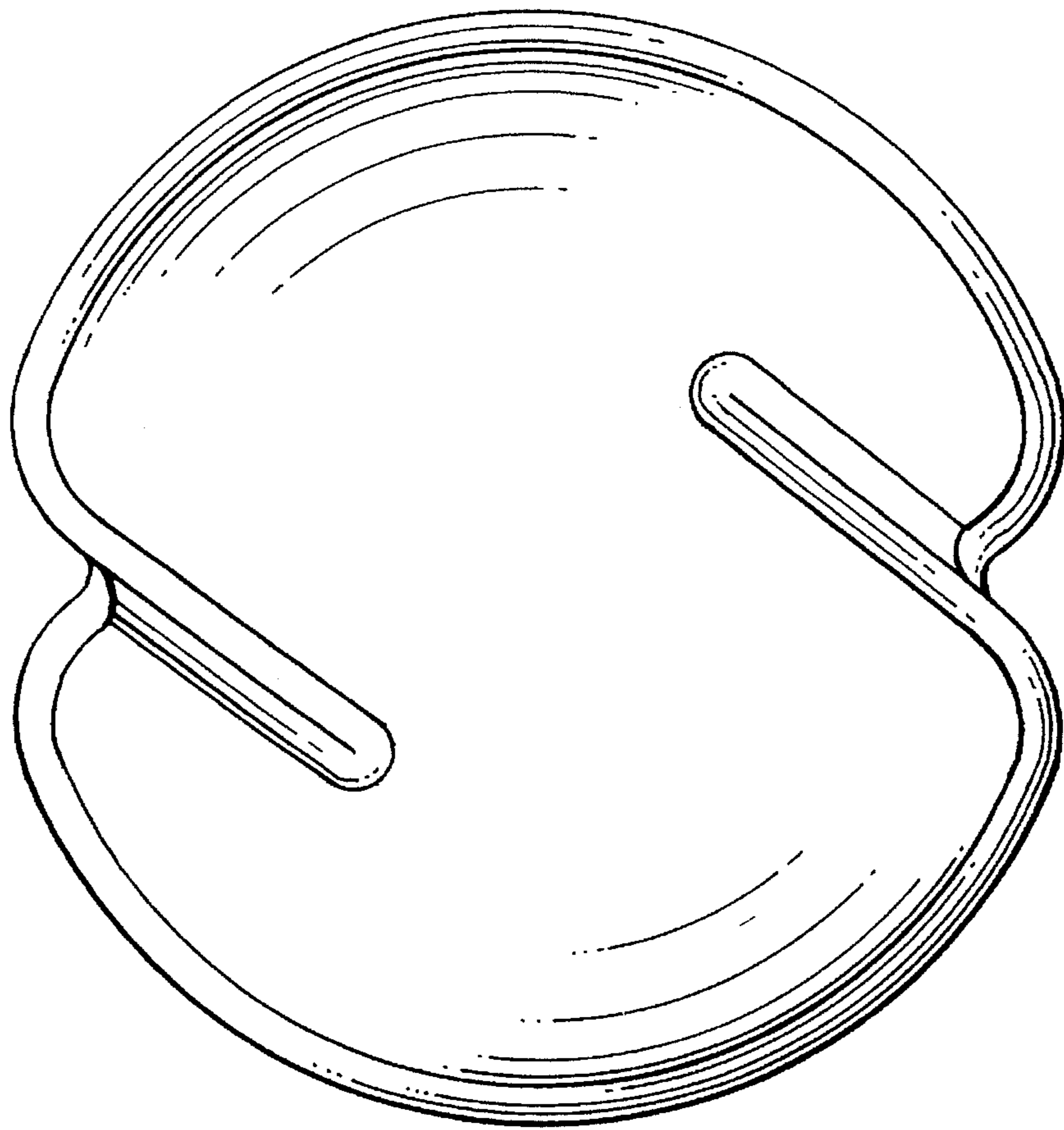


Fig. 9

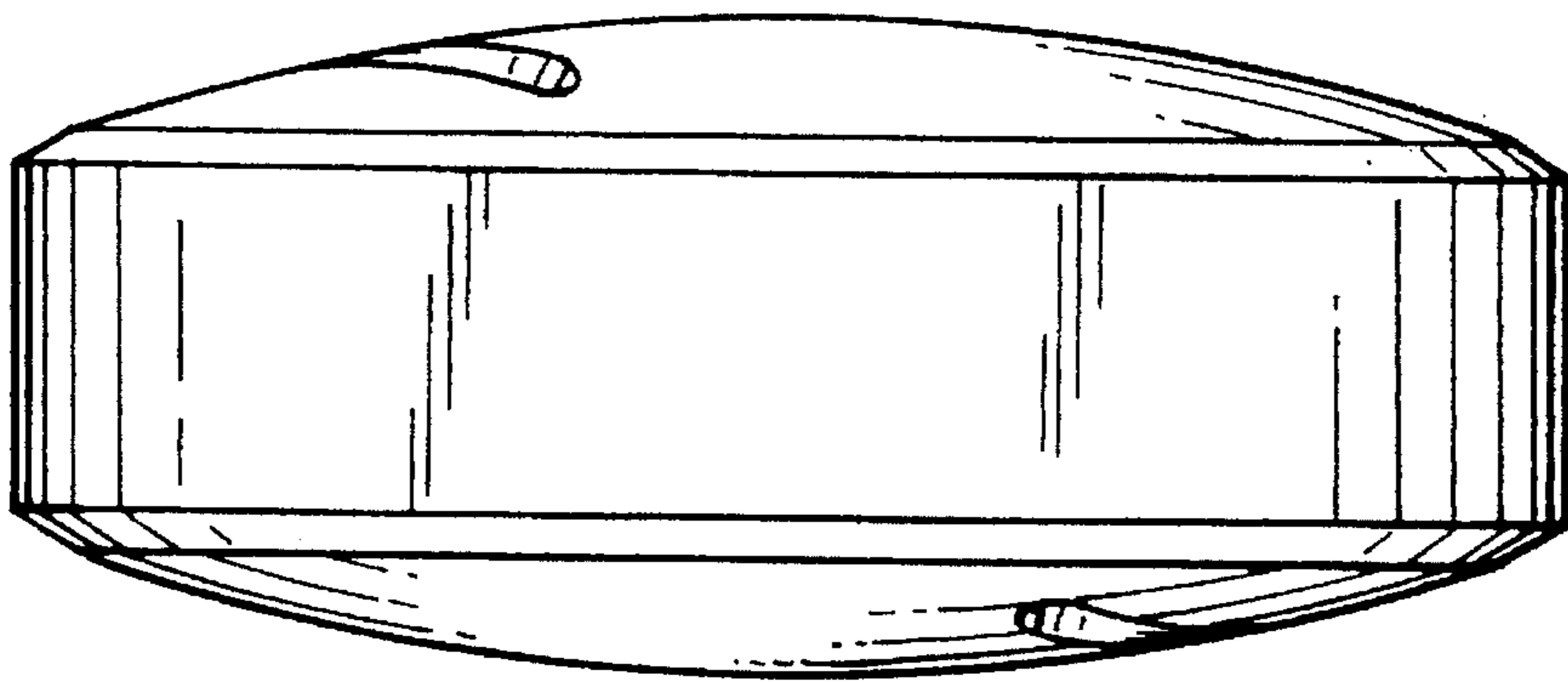


Fig. 10

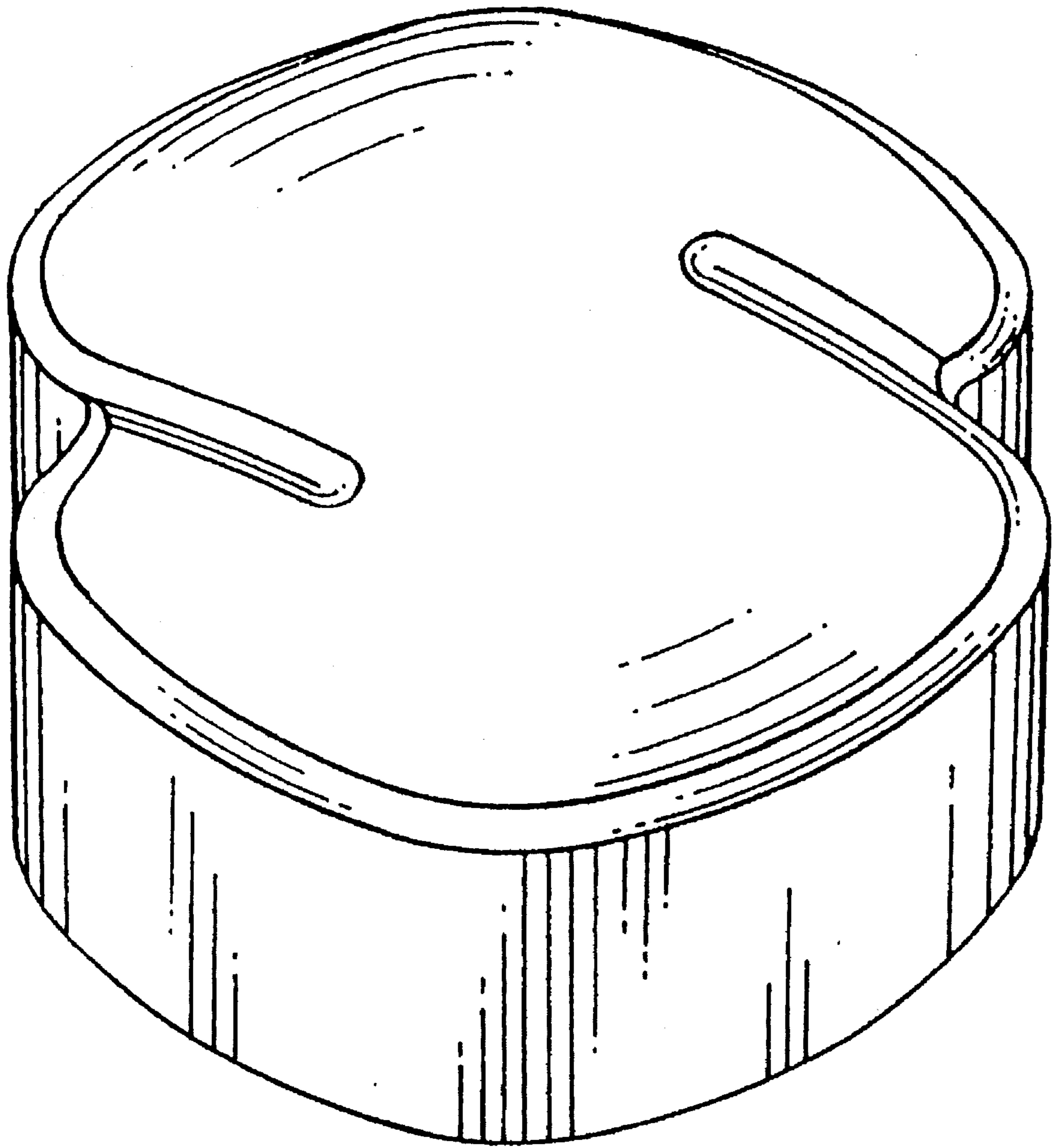


Fig. 11



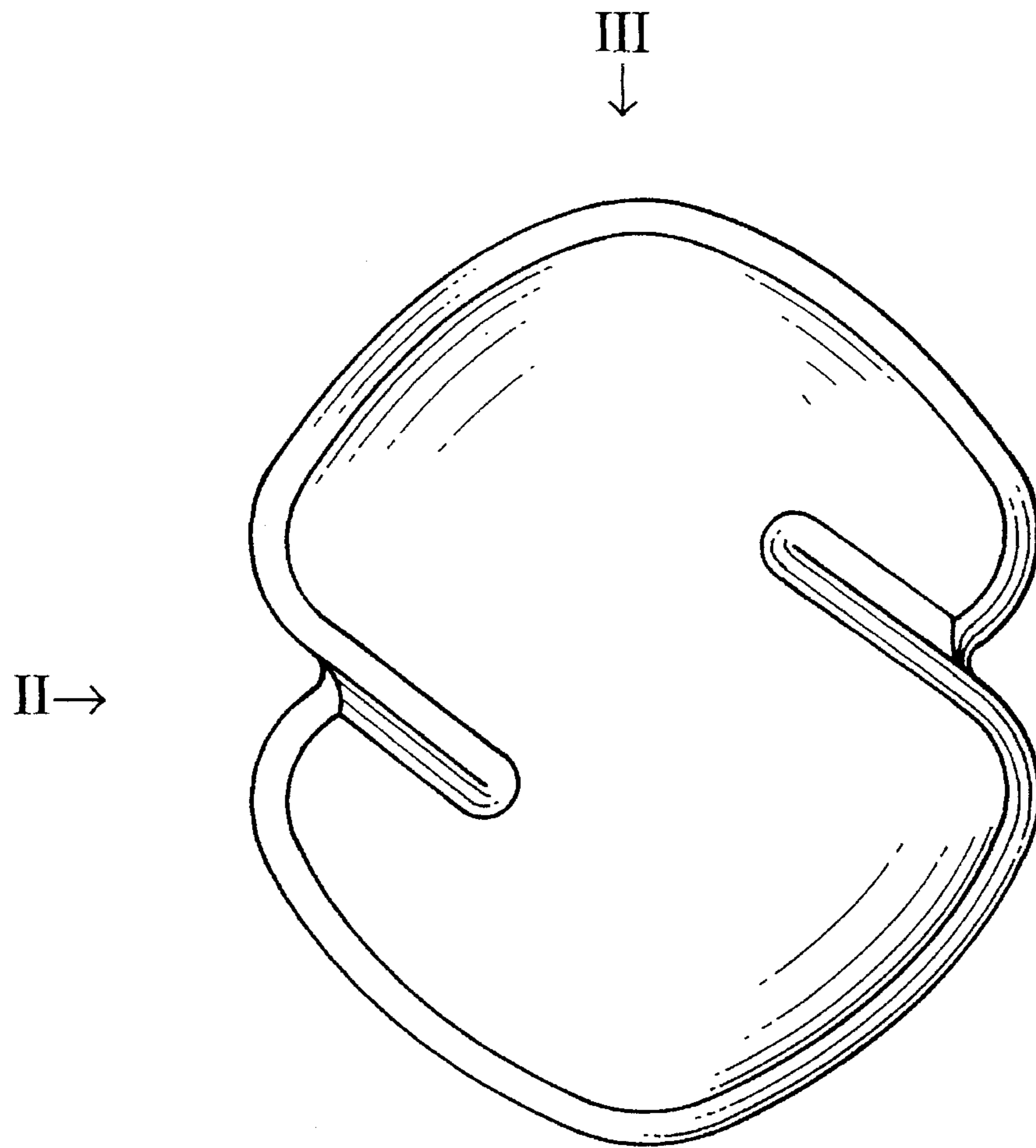


Fig. 12

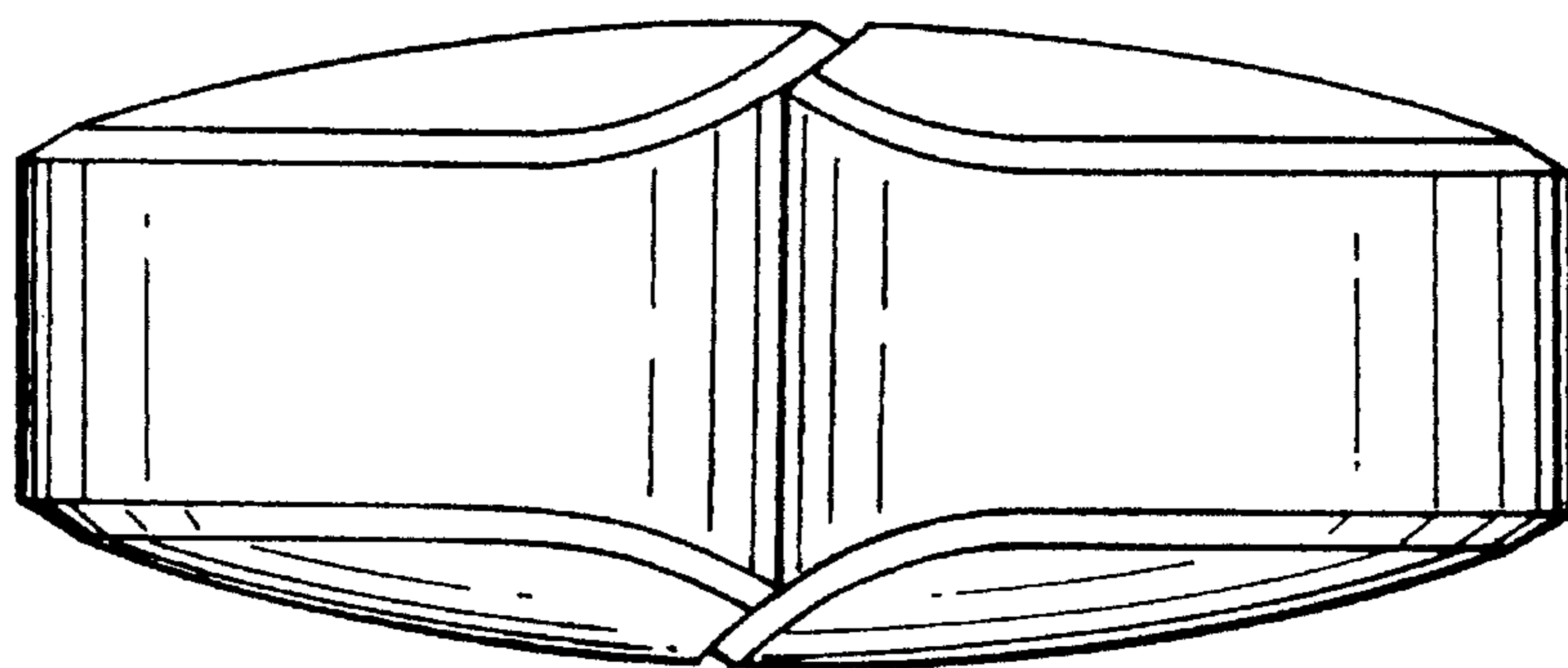


Fig. 13

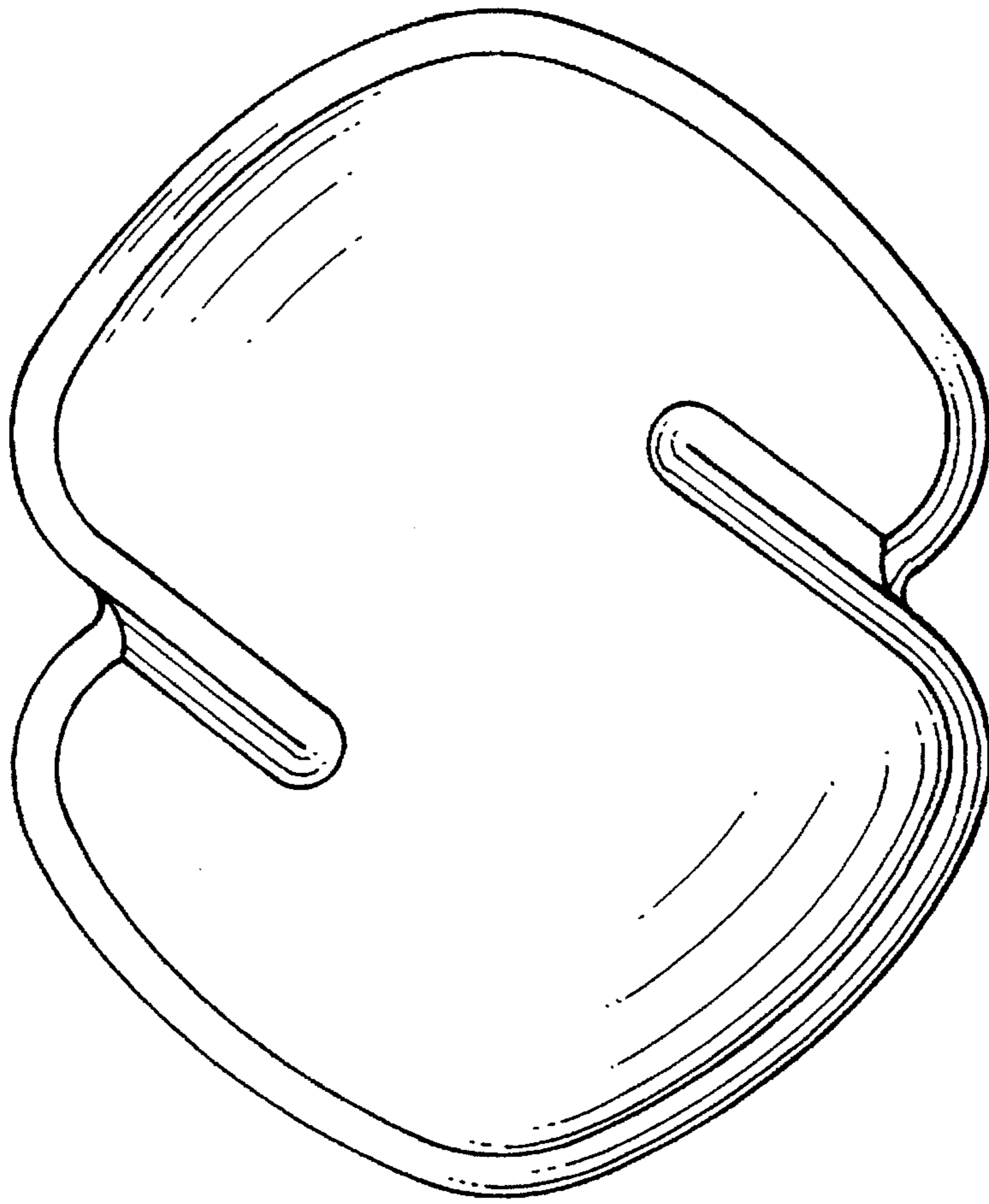


Fig. 14

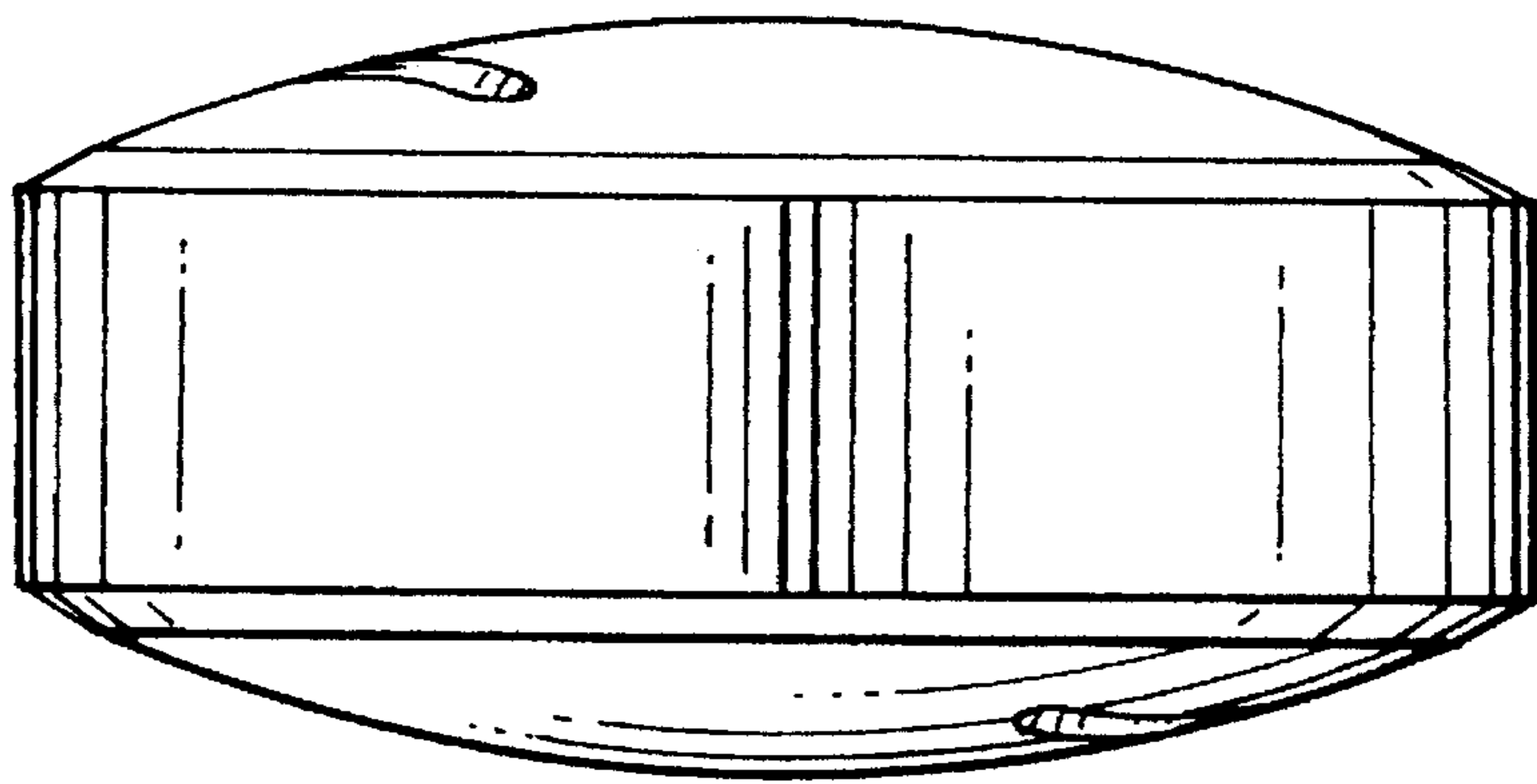


Fig. 15