



US00D373186S

United States Patent [19] Bain

[11] Patent Number: **Des. 373,186**

[45] Date of Patent: ****Aug. 27, 1996**

[54] **FIREPLACE GRATE**

[75] Inventor: **Stephen E. Bain**, Hudson, Ohio

[73] Assignee: **Forest Technology Corporation**,
Akron, Ohio

[**] Term: **14 Years**

[21] Appl. No.: **18,576**

[22] Filed: **Feb. 9, 1994**

[52] U.S. Cl. **D23/398**

[58] Field of Search **D23/398; 126/152 R,
126/152 B, 540**

[56] **References Cited**

U.S. PATENT DOCUMENTS

D. 253,027 10/1979 Whitaker D23/398

OTHER PUBLICATIONS

Atlanta Stove Works, Inc. Adv. Brochure, p. 6, grates A and B, lower left and bottom middle sides of page respectively.
Liberty Foundry Co. Adv. Brochure, p. 5, grate C, top of page.

Industrial Tool and Engineering Co. Cat., p. 4, grate D, top of page.

Sand Hill 1984 Cat., Grate E, bottom right side of page.

Ashley Heater Co. Brochure, p. 5, grate F, lower right side of page.

Primary Examiner—Lisa P. Lichtenstein

Attorney, Agent, or Firm—Vickers, Daniels & Young

[57] **CLAIM**

The ornamental design for a fireplace grate, as shown and described.

DESCRIPTION

FIG. 1 is a rear perspective view of a fireplace grate according to the present invention;

FIG. 2 is a top plan view of the fireplace grate shown in FIG. 1;

FIG. 3 is a front elevation view of the fireplace grate shown in FIG. 1;

FIG. 4 is a rear elevation view of the fireplace grate shown in FIG. 1;

FIG. 5 is a bottom plan view of the fireplace grate shown in FIG. 1;

FIG. 6 is a left side elevation view of the fireplace grate shown in FIG. 1, the opposite side being a mirror image of that shown;

FIG. 7 is an elevational cross-section view of the fireplace grate shown in FIG. 2 taken on line 7—7 of FIG. 2;

FIG. 8 is an elevational cross-section view of the fireplace grate shown in FIG. 2 taken on line 8—8 of FIG. 2; and,

FIG. 9 is a rear perspective view of the fireplace grate shown in FIG. 1 without a central depression.

The sole difference between the two embodiments resides in the appearance of the central depression in the first embodiment.

The broken line showing of environmental structure in FIGS. 1 and 2 is for illustrative purposes only and forms no part of the claimed design.

1 Claim, 6 Drawing Sheets

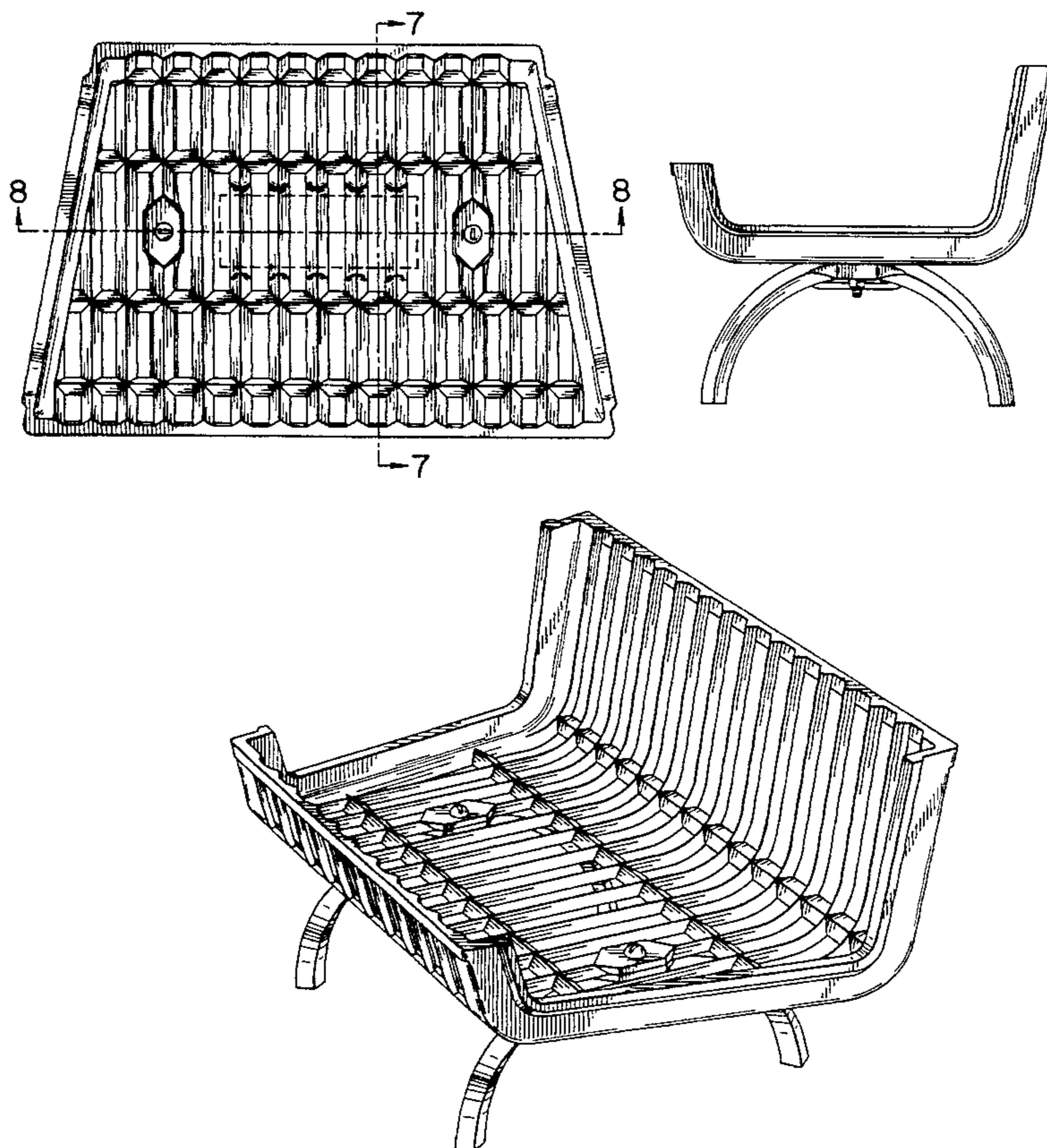


FIG. 1

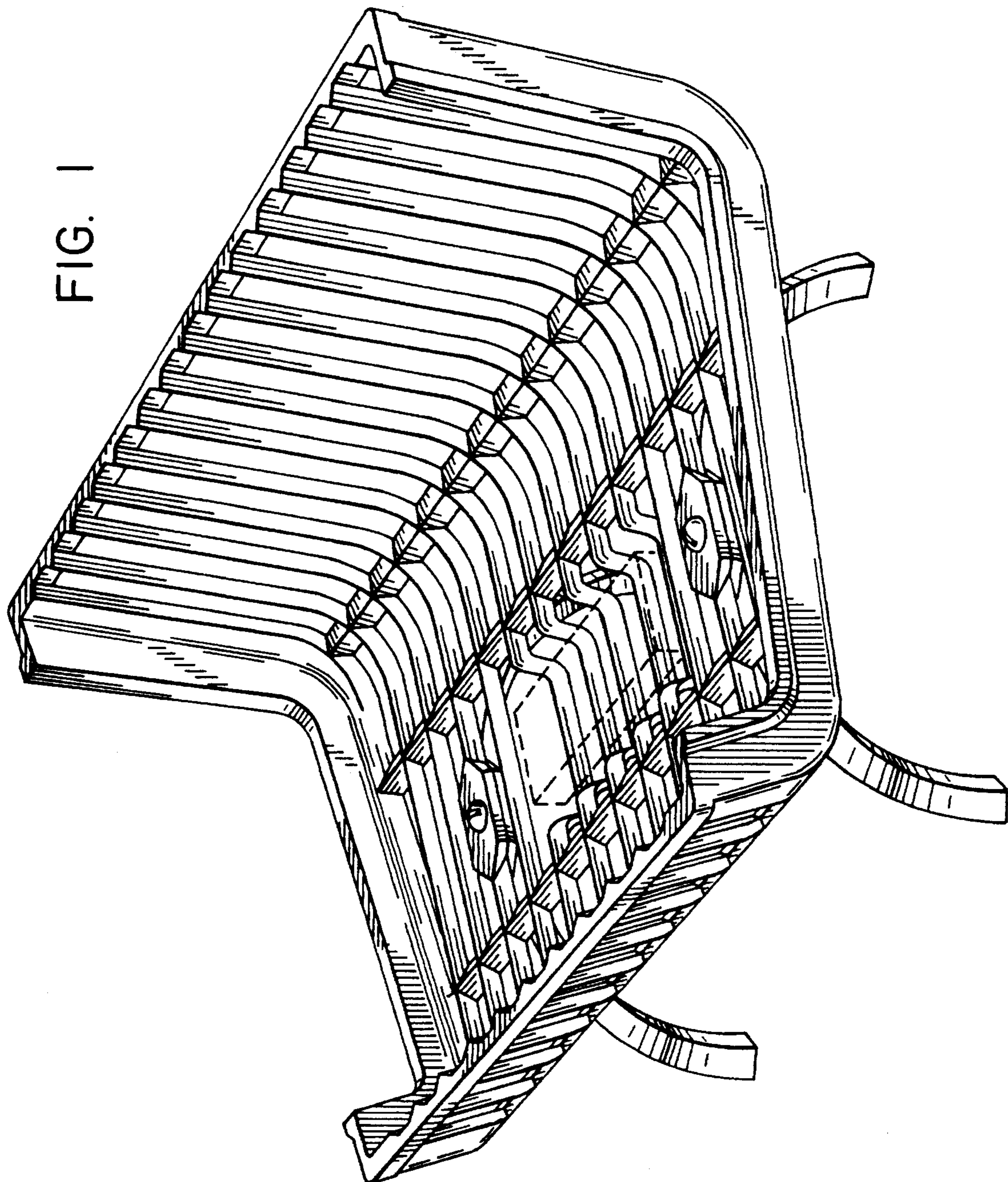


FIG. 2

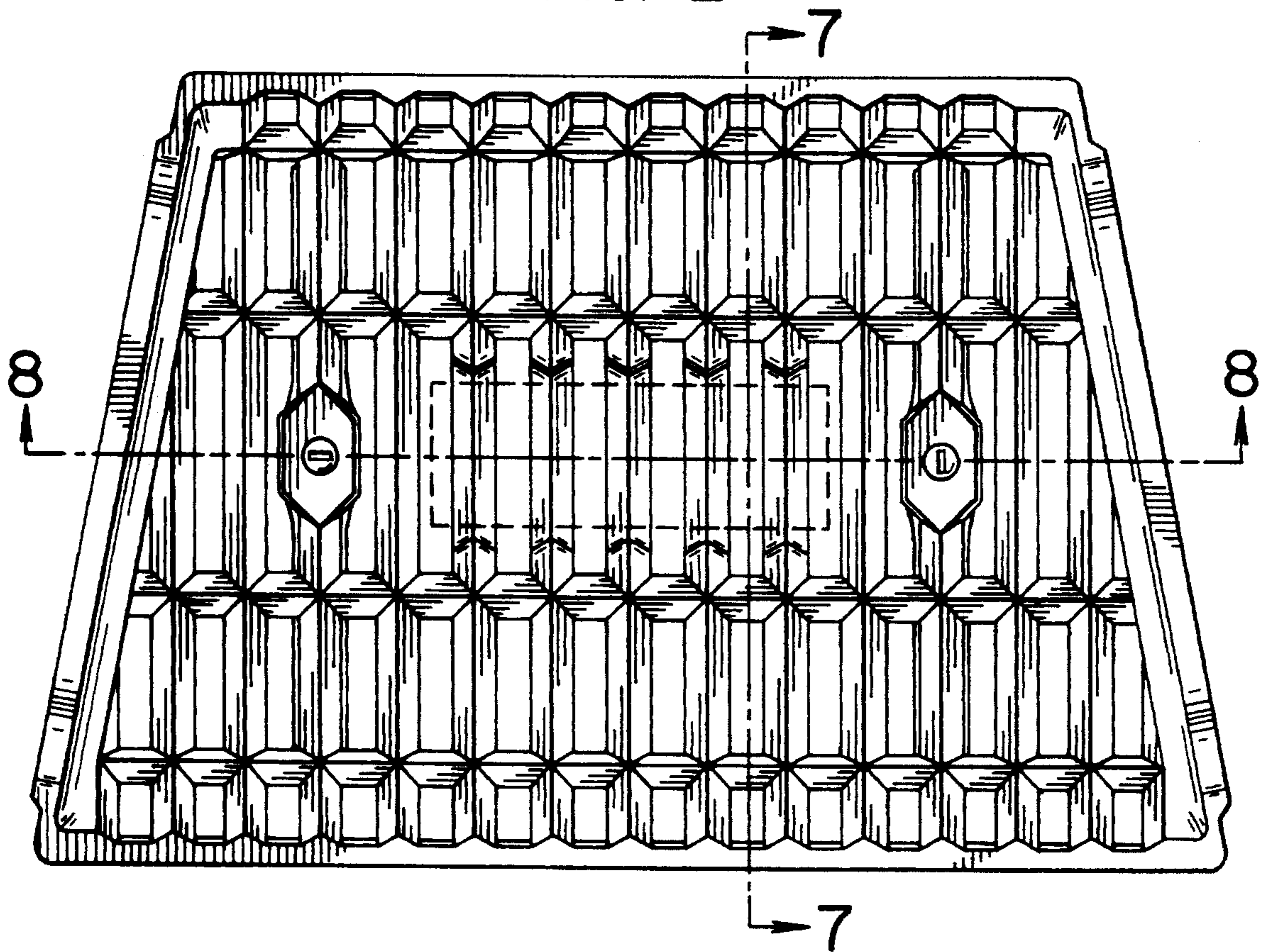


FIG. 3

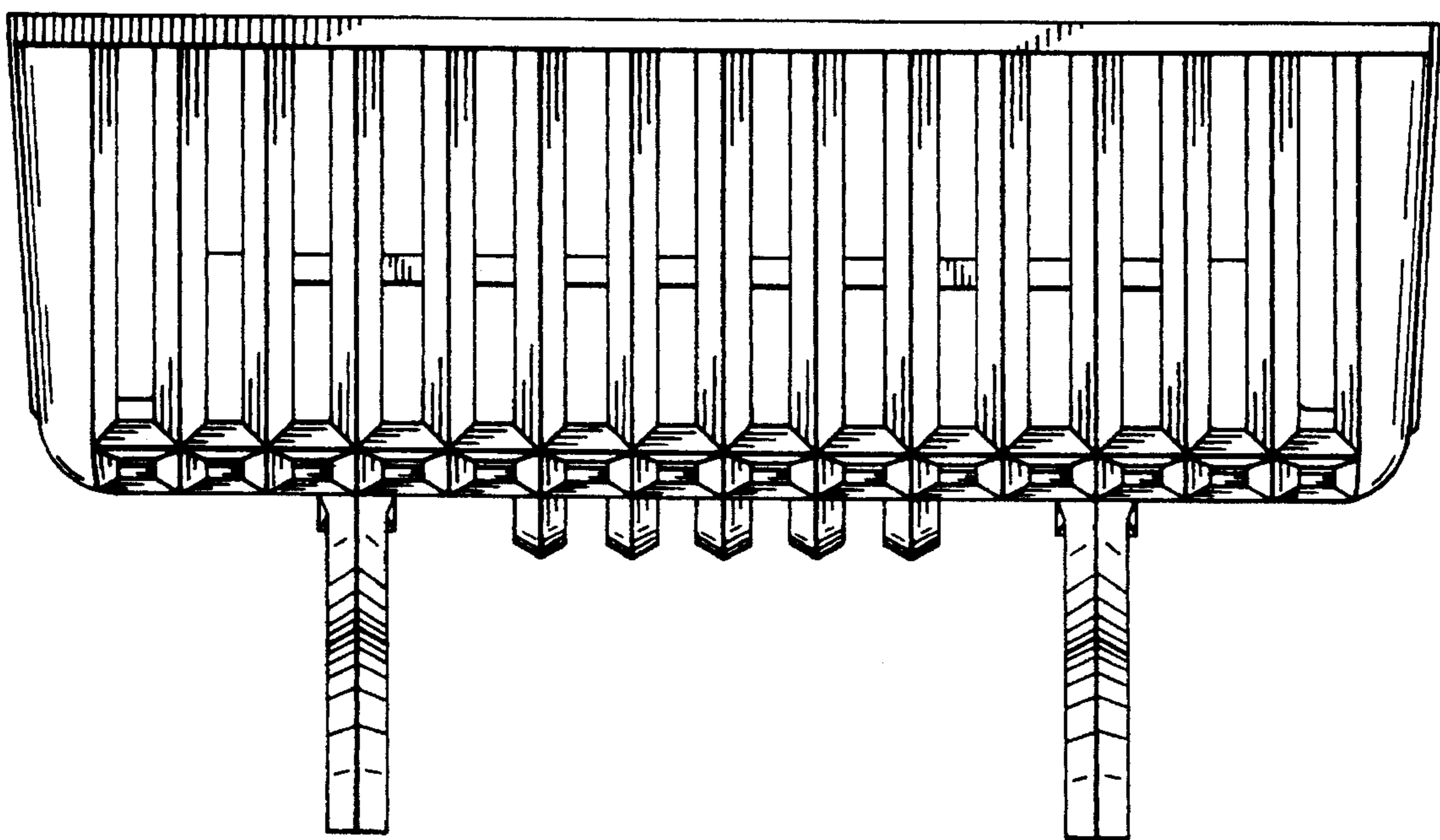


FIG. 4

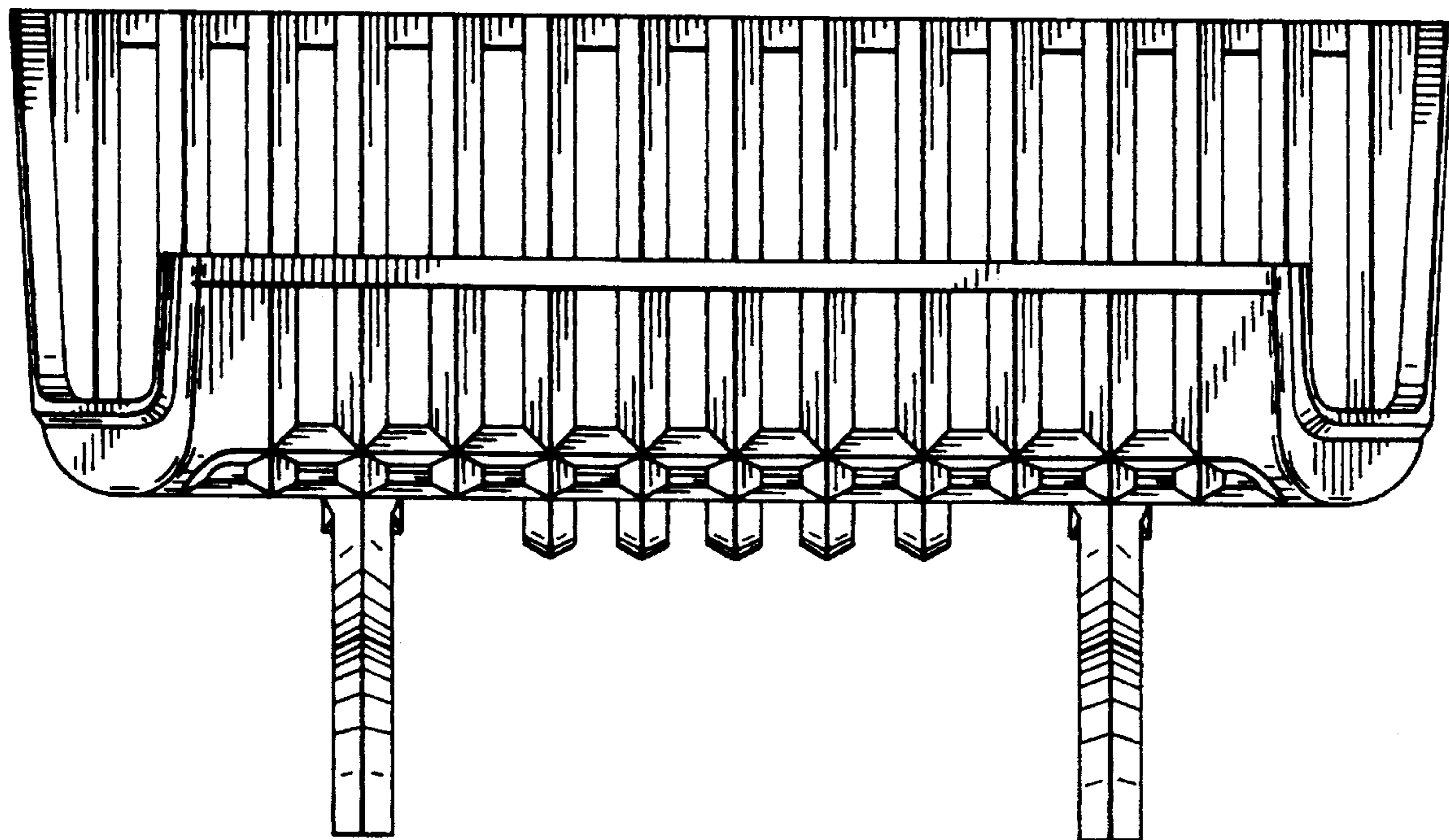


FIG. 5

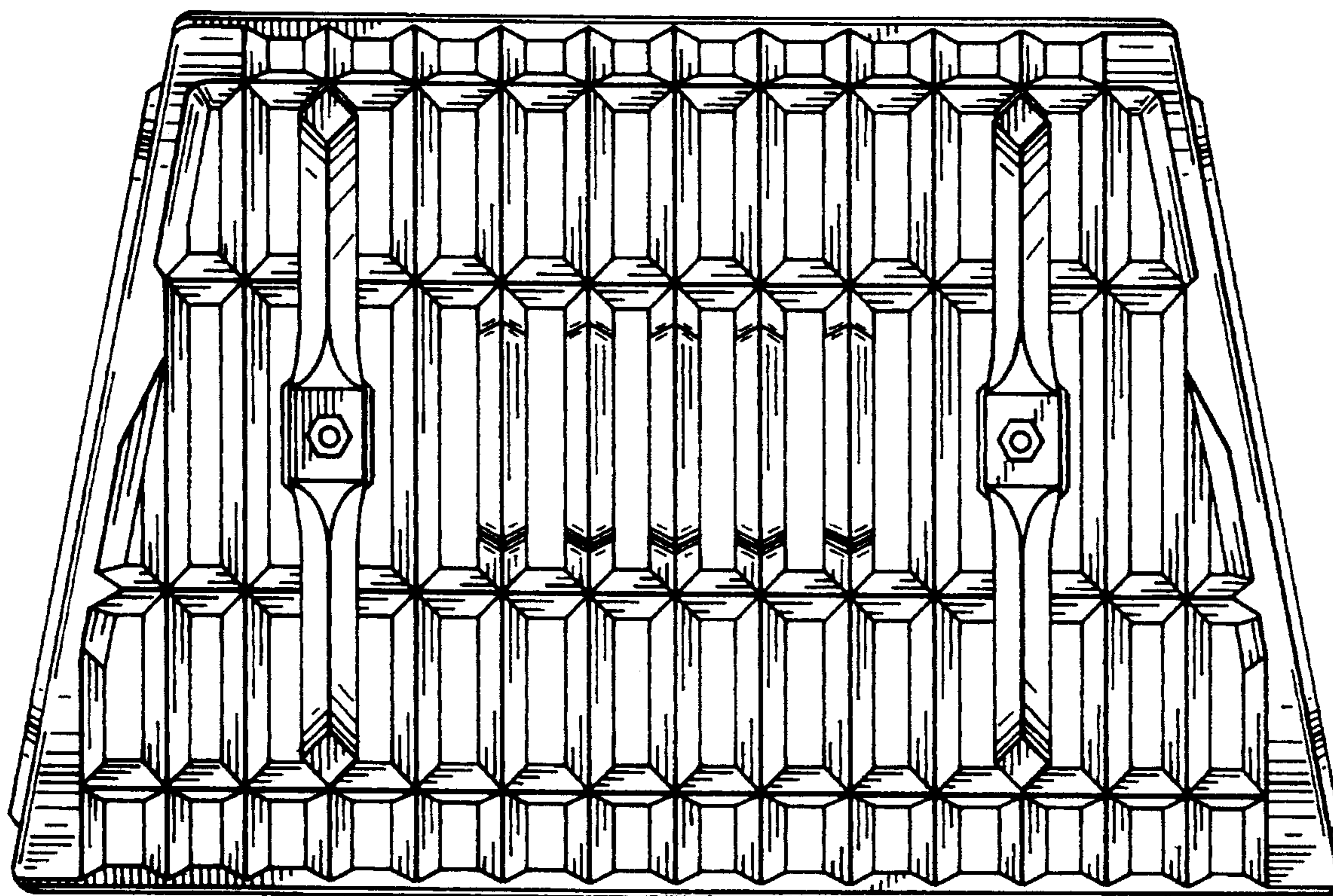


FIG. 6

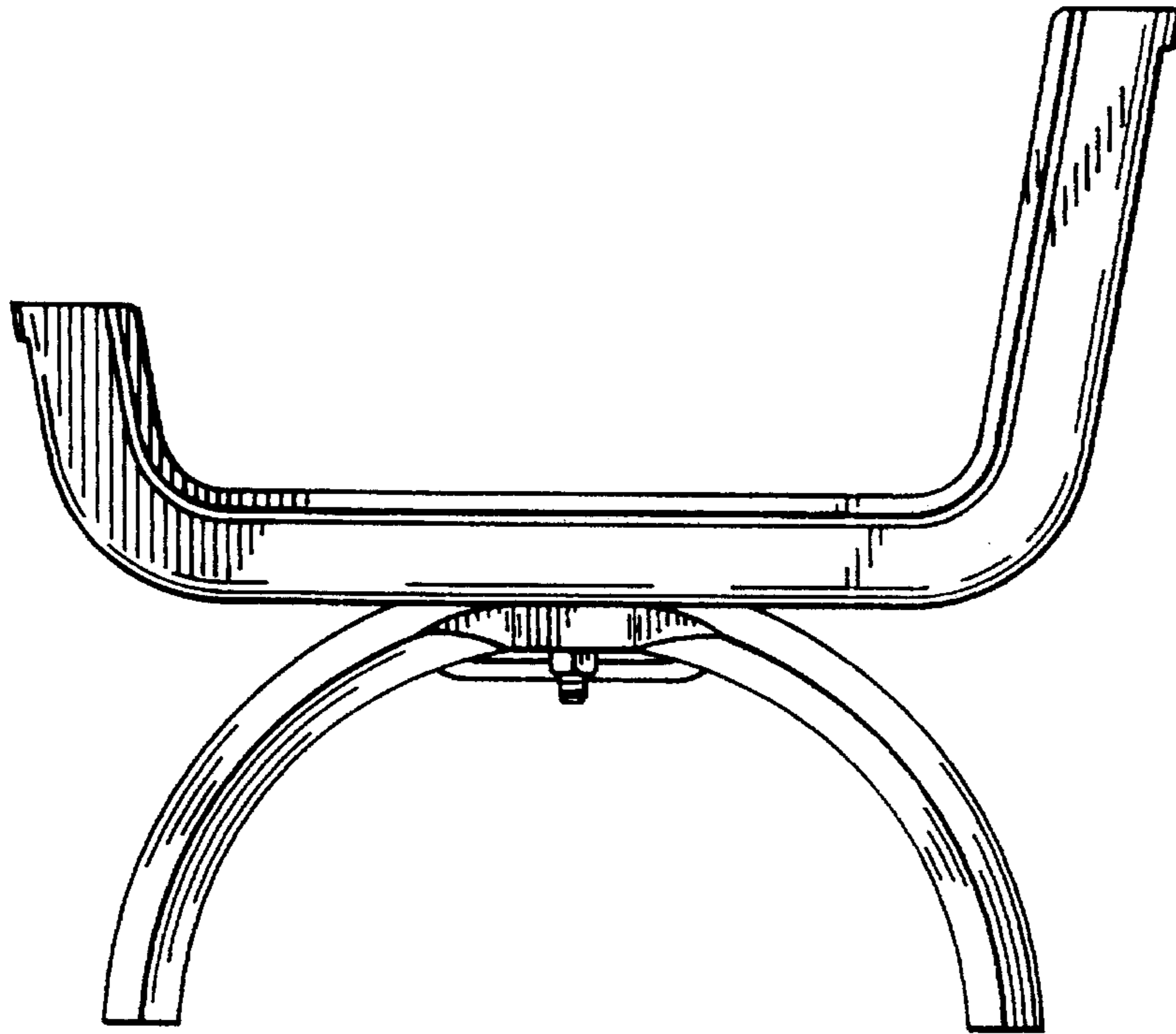
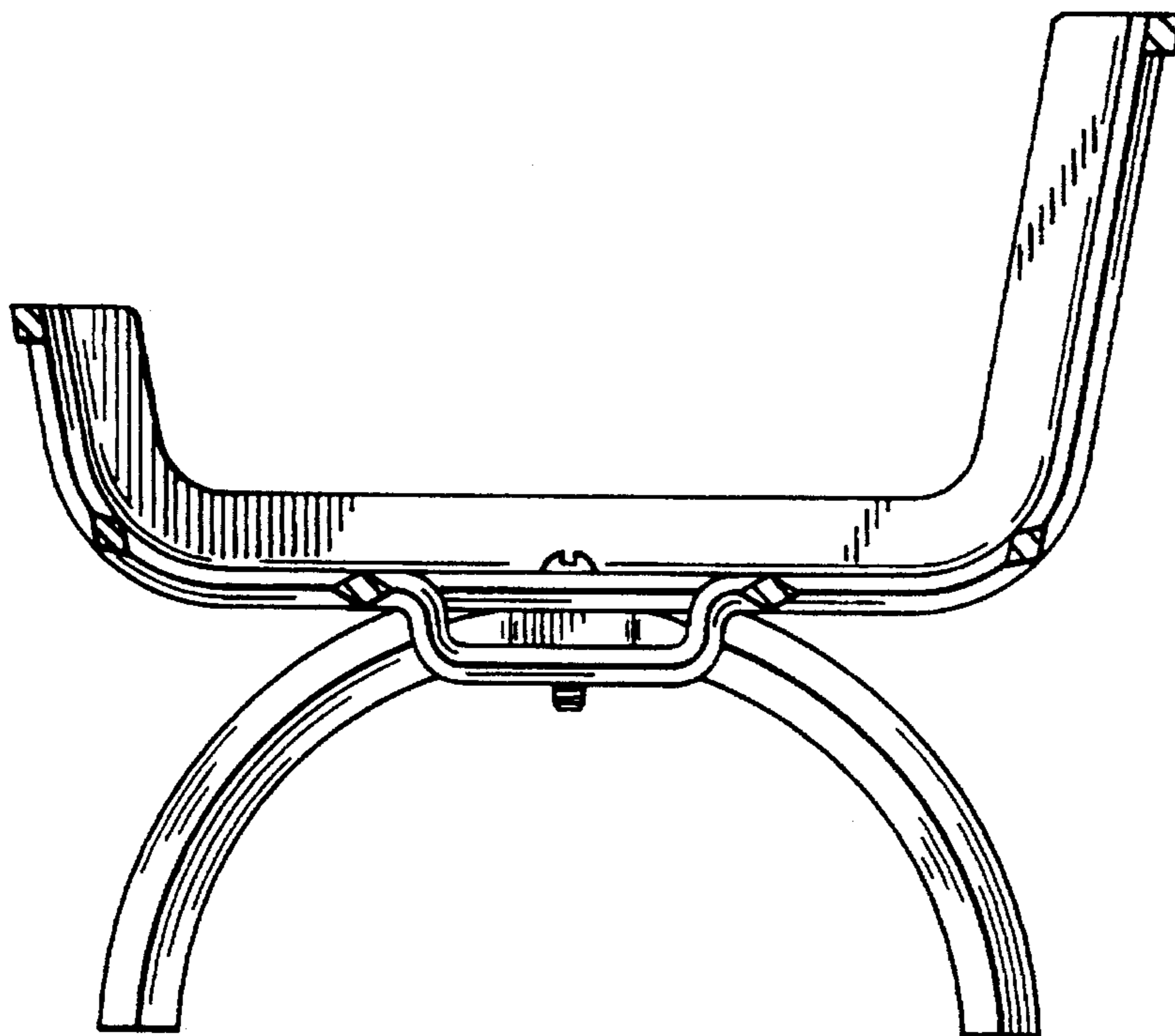


FIG. 7



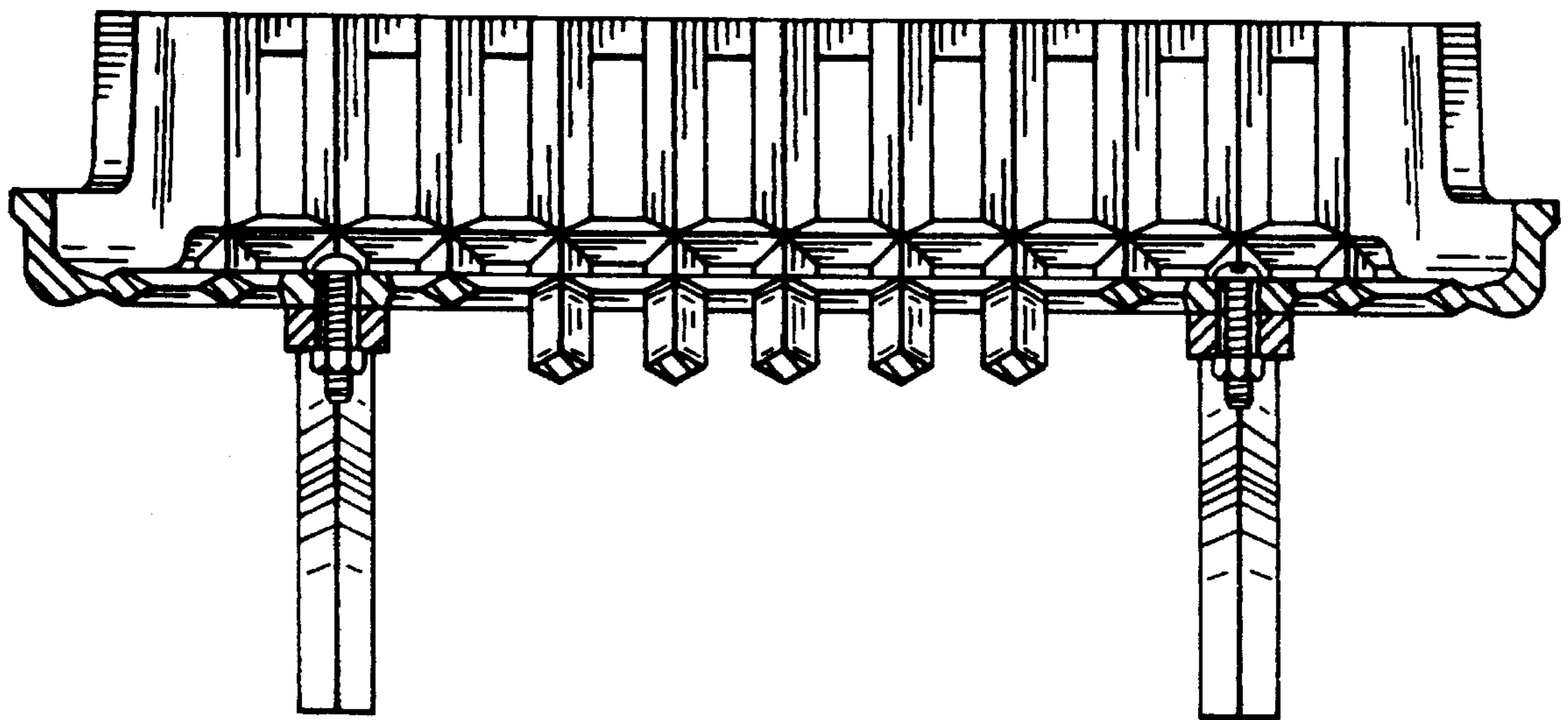


FIG. 8

FIG. 9

