



US00D373185S

United States Patent [19]

[11] Patent Number: Des. 373,185

Tseng

[45] Date of Patent: **Aug. 27, 1996

[54] COMBINED CEILING FAN AND LIGHT

Primary Examiner—Lisa P. Lichtenstein

[76] Inventor: **Tsung-Ming Tseng**, No. 11-2, Talun Rd., Talun Tsun, Tatsun Hsiang, Changhua Hsien, Taiwan

Attorney, Agent, or Firm—Morton J. Rosenberg; David I. Klein

[**] Term: **14 Years**

[57] CLAIM

The ornamental design for a combined ceiling fan and light, as shown.

[21] Appl. No.: **42,737**

DESCRIPTION

[22] Filed: **Aug. 9, 1995**

[52] U.S. Cl. **D23/377; D23/379; D23/385**

[58] Field of Search **D23/377, 379, D23/385, 411, 413; D26/72, 73, 59, 51, 81-86, 88; 416/5; 362/96; 392/364**

FIG. 1 is the perspective view of a combined ceiling fan and light showing my new design;

FIG. 2 is the front elevational view thereof;

FIG. 3 is the rear elevational view thereof;

FIG. 4 is the left side elevational view thereof;

FIG. 5 is the right side elevational view thereof;

FIG. 6 is the top plan view thereof; and,

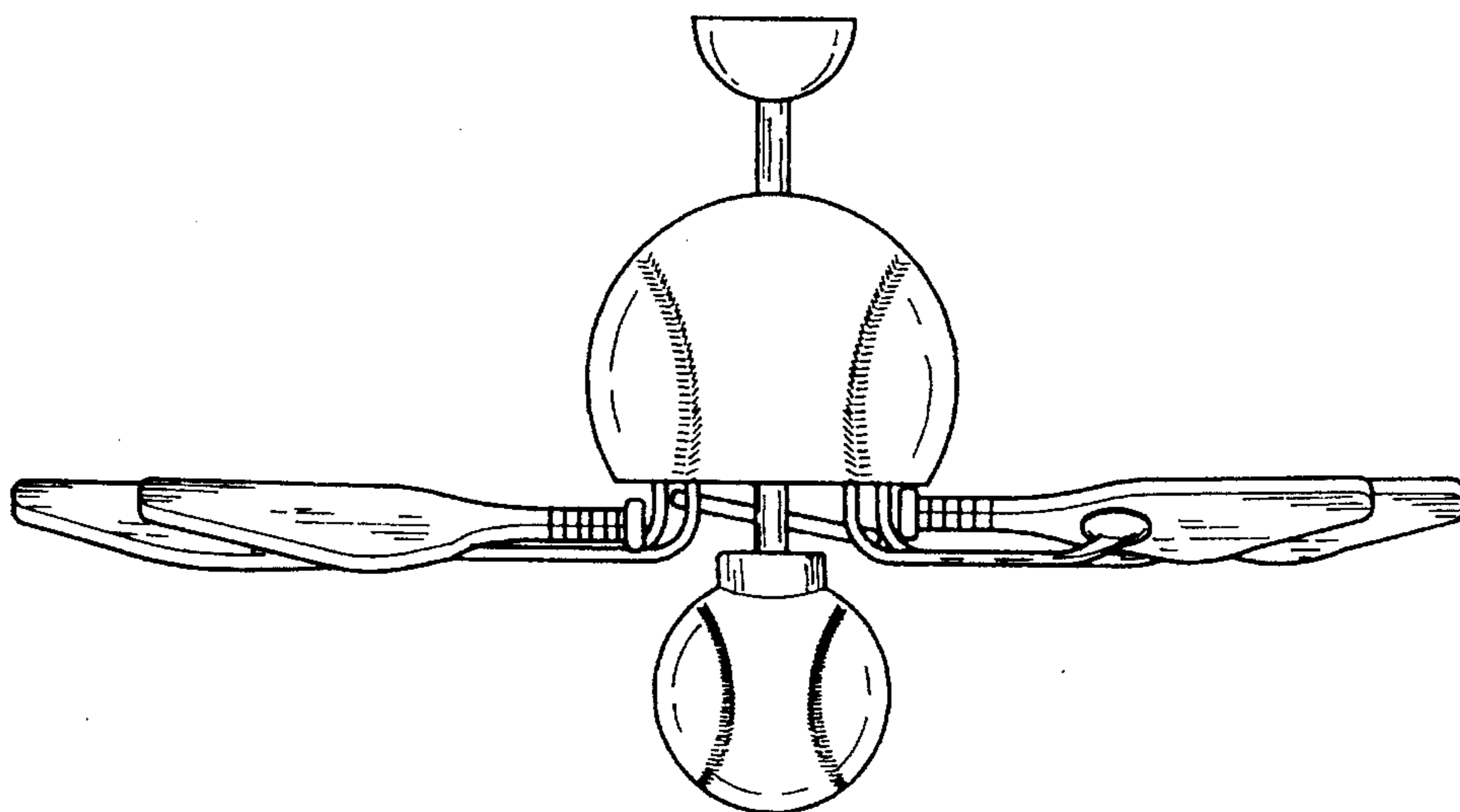
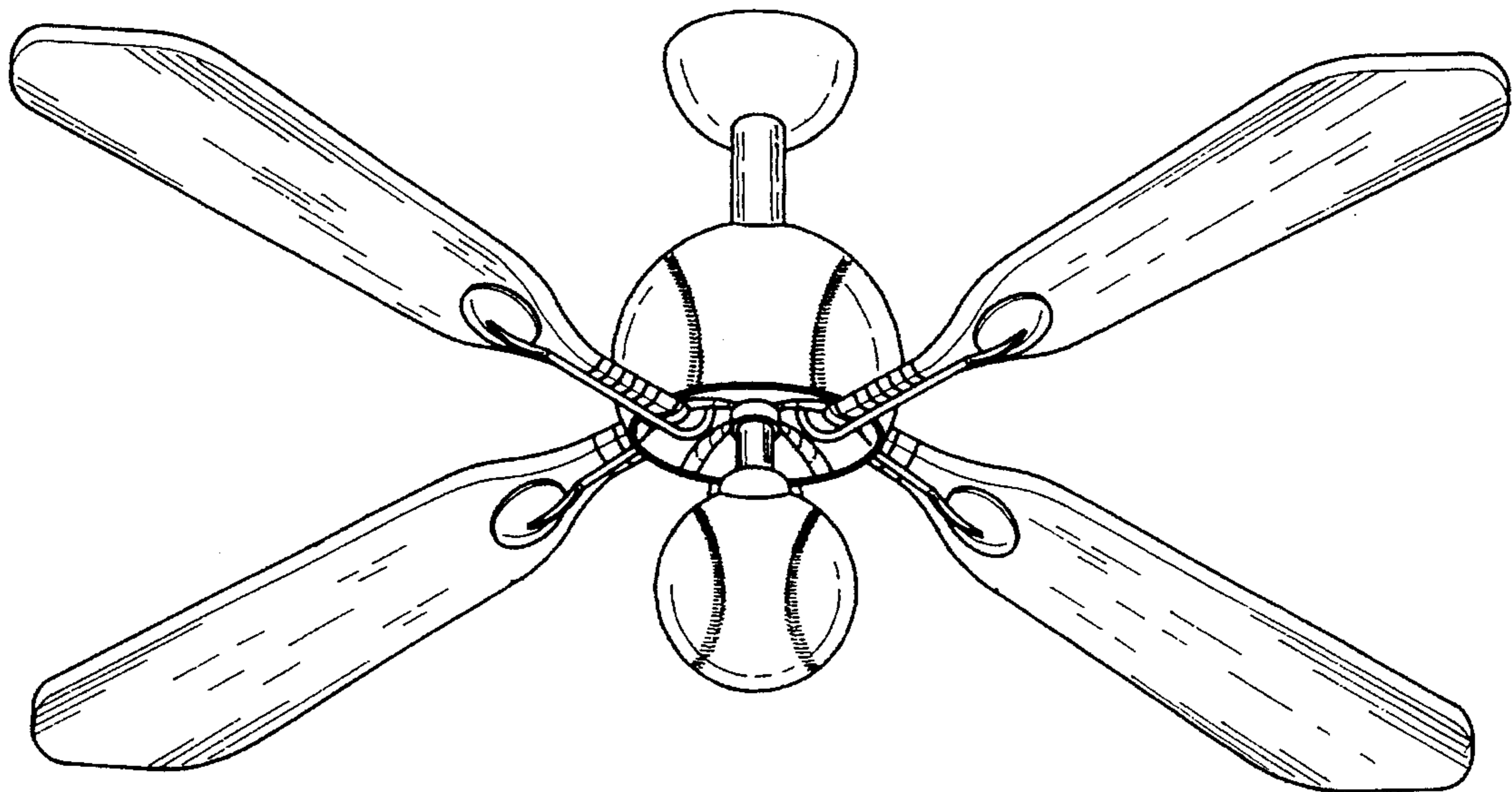
FIG. 7 is the bottom plan view thereof.

[56] References Cited

U.S. PATENT DOCUMENTS

D. 270,942	10/1983	McCain	416/5
4,494,055	1/1985	Bitting et al.	416/5
4,640,668	2/1987	Yang	416/5

1 Claim, 7 Drawing Sheets



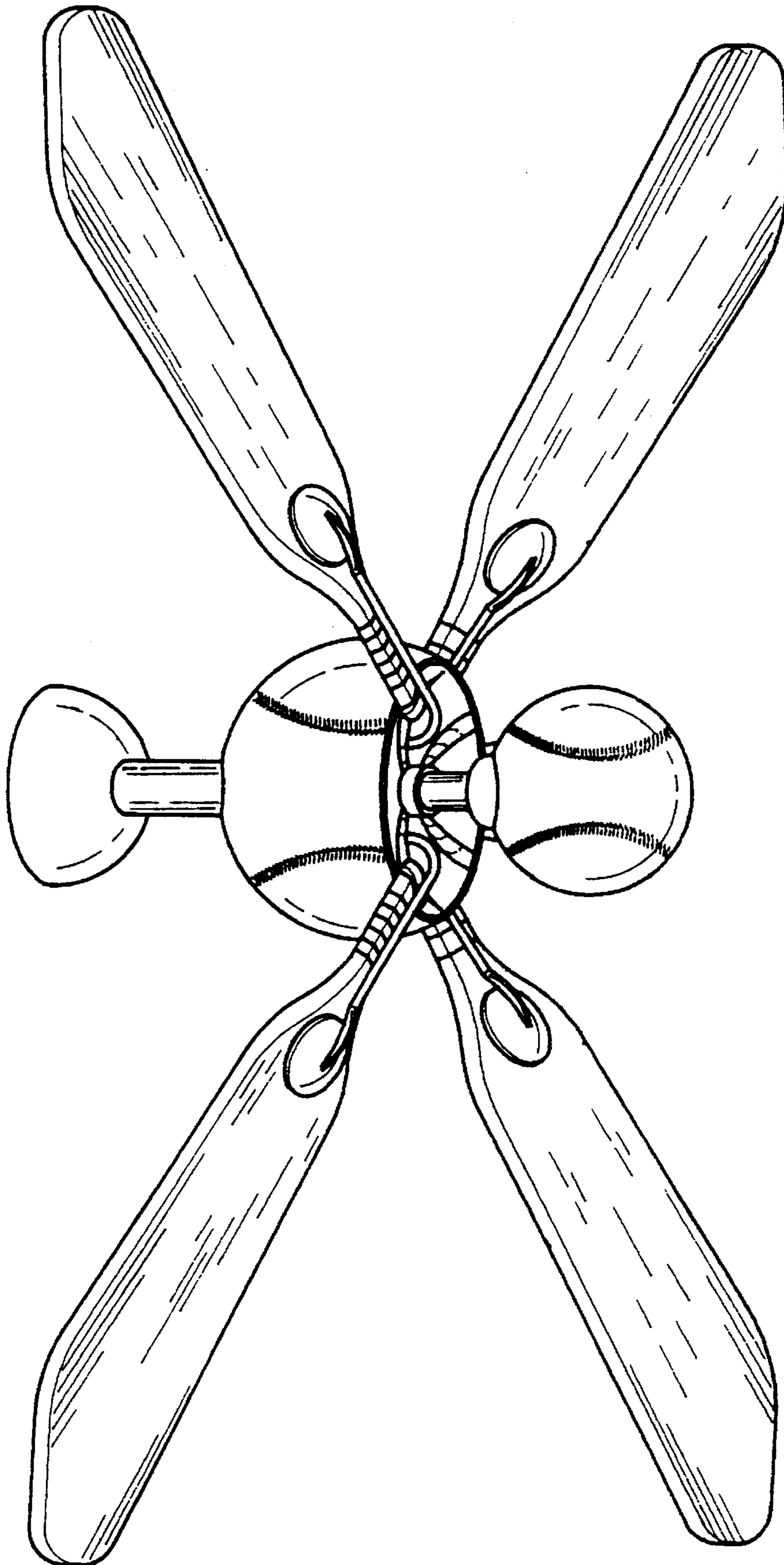


FIG. 1

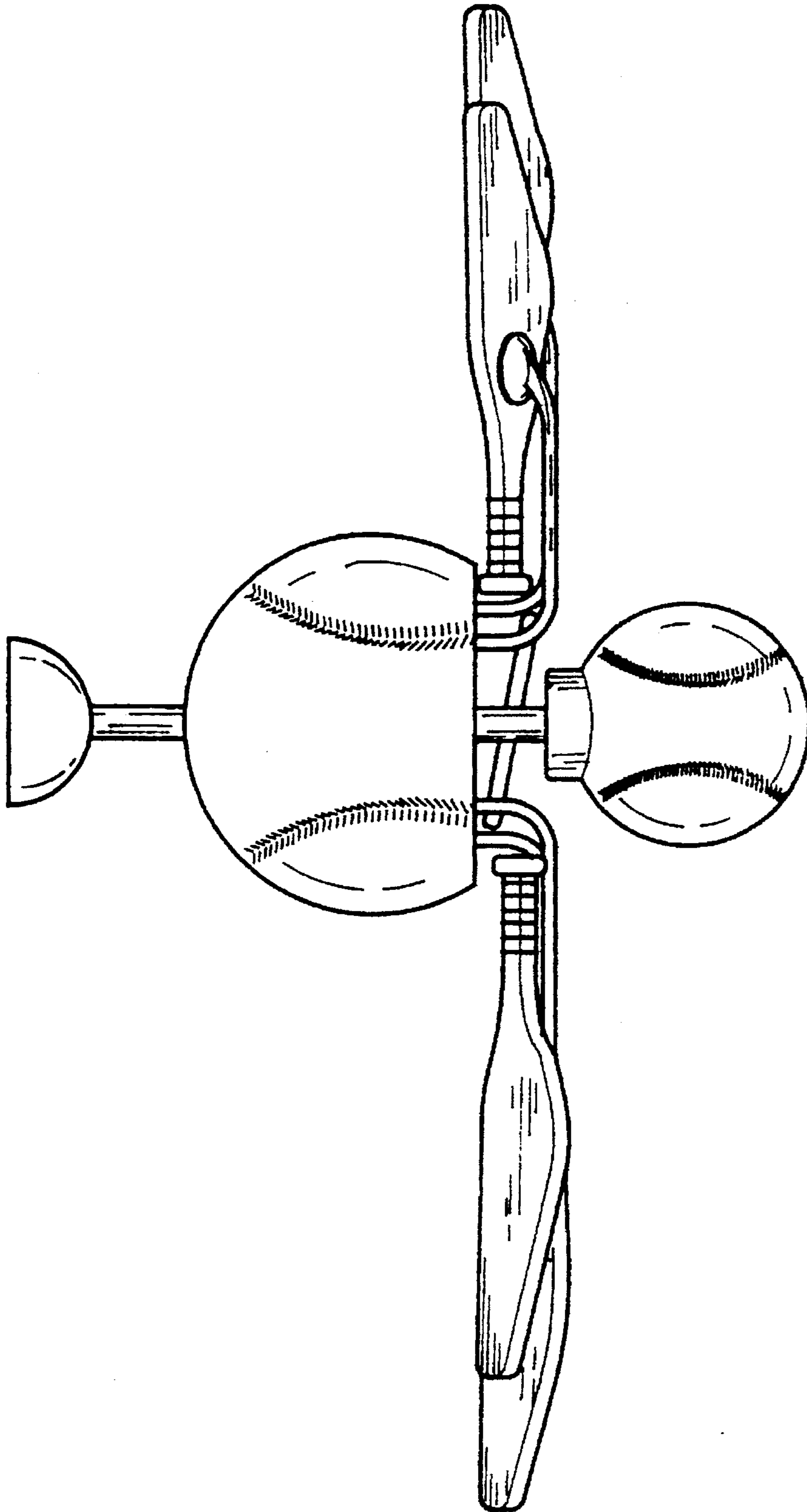


FIG. 2

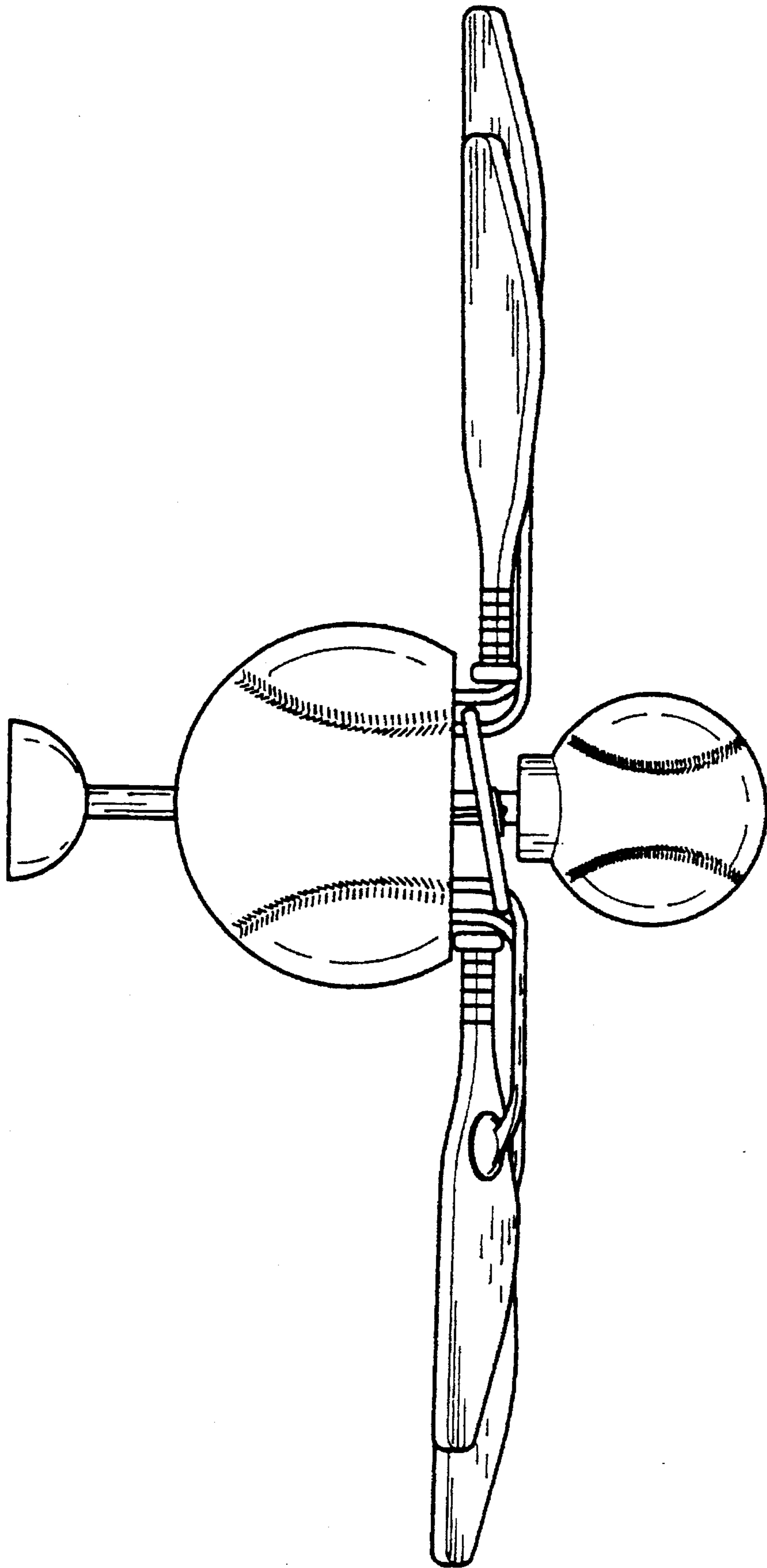


FIG. 3

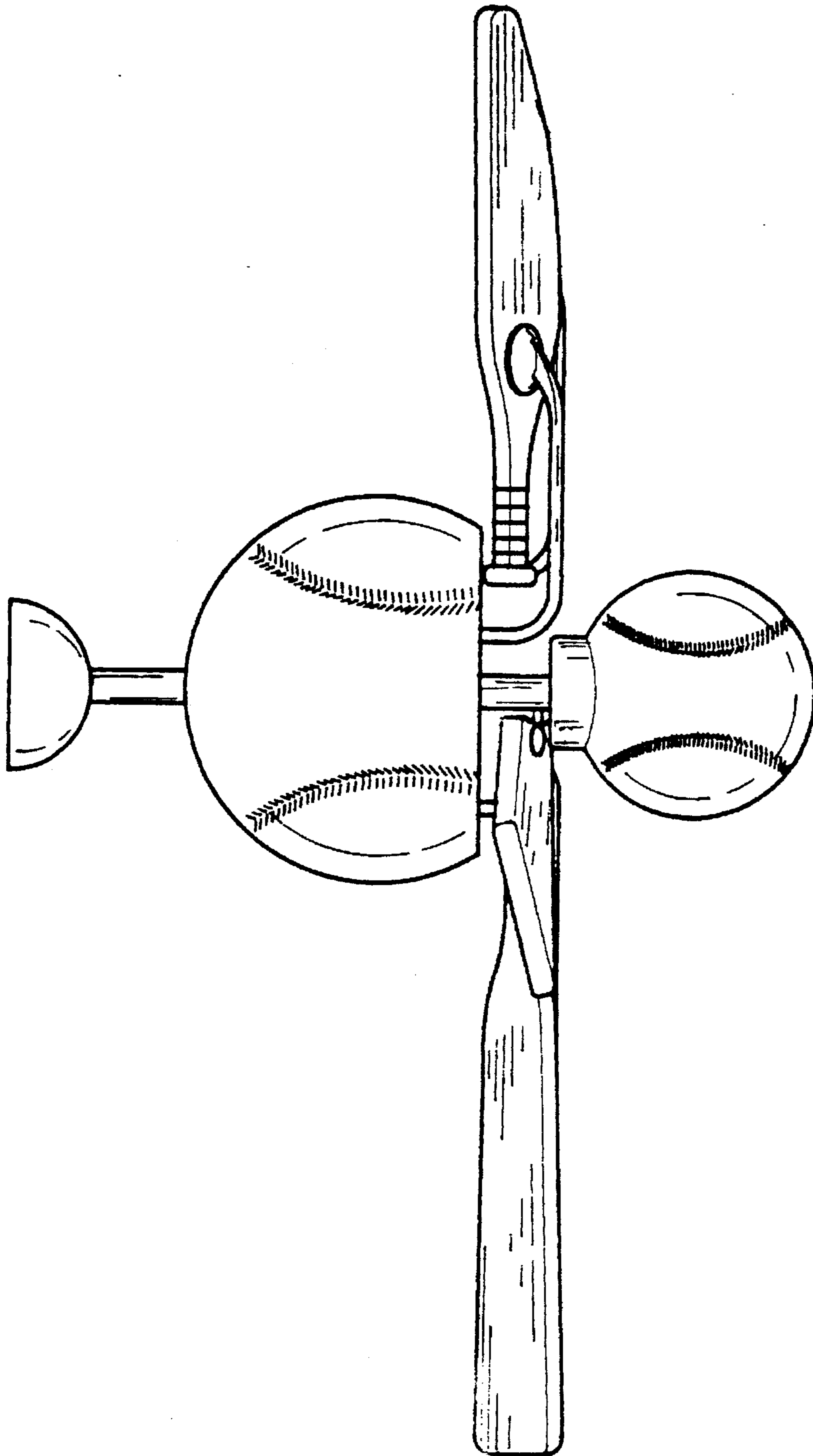


FIG. 4

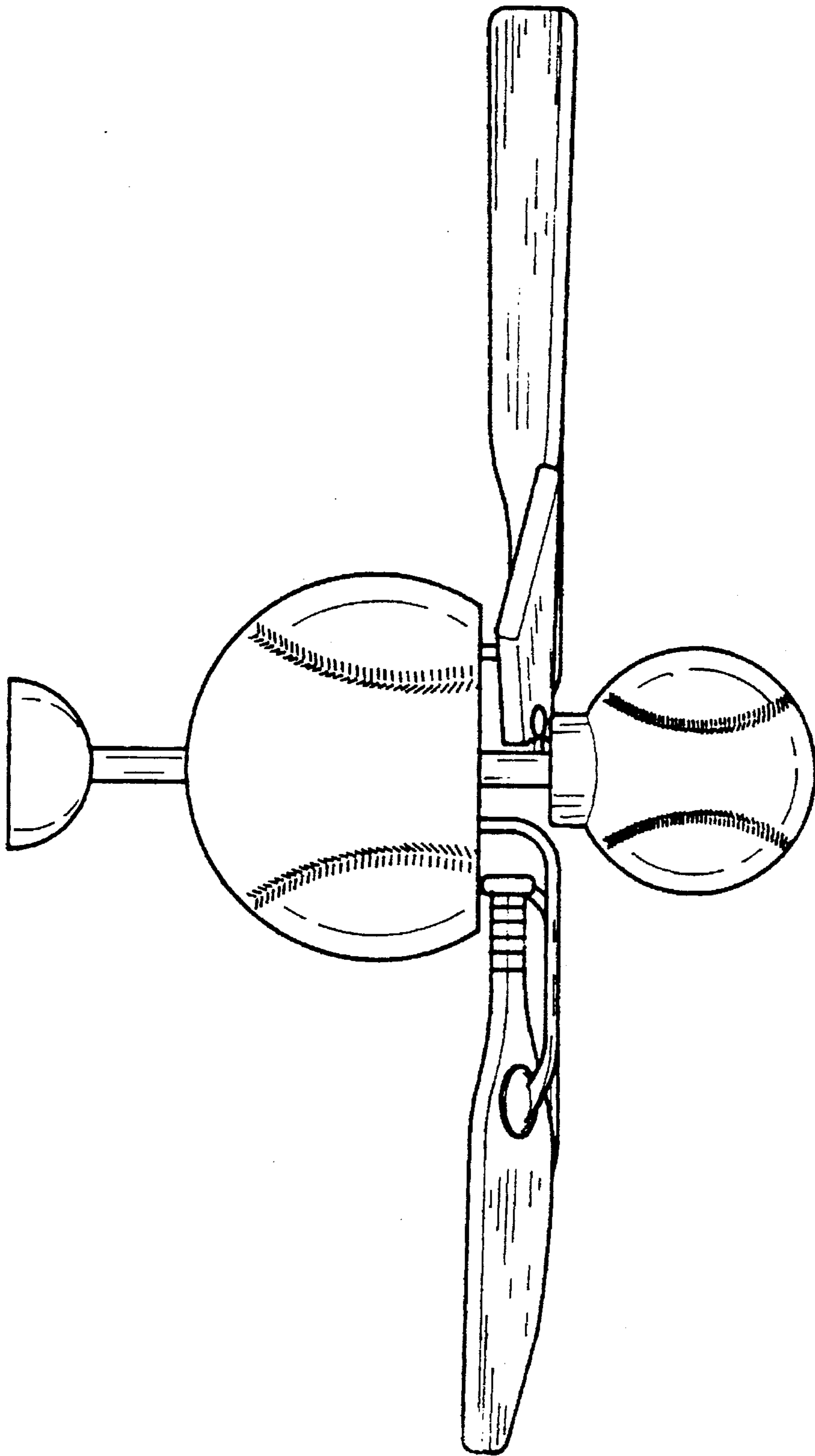


FIG. 5

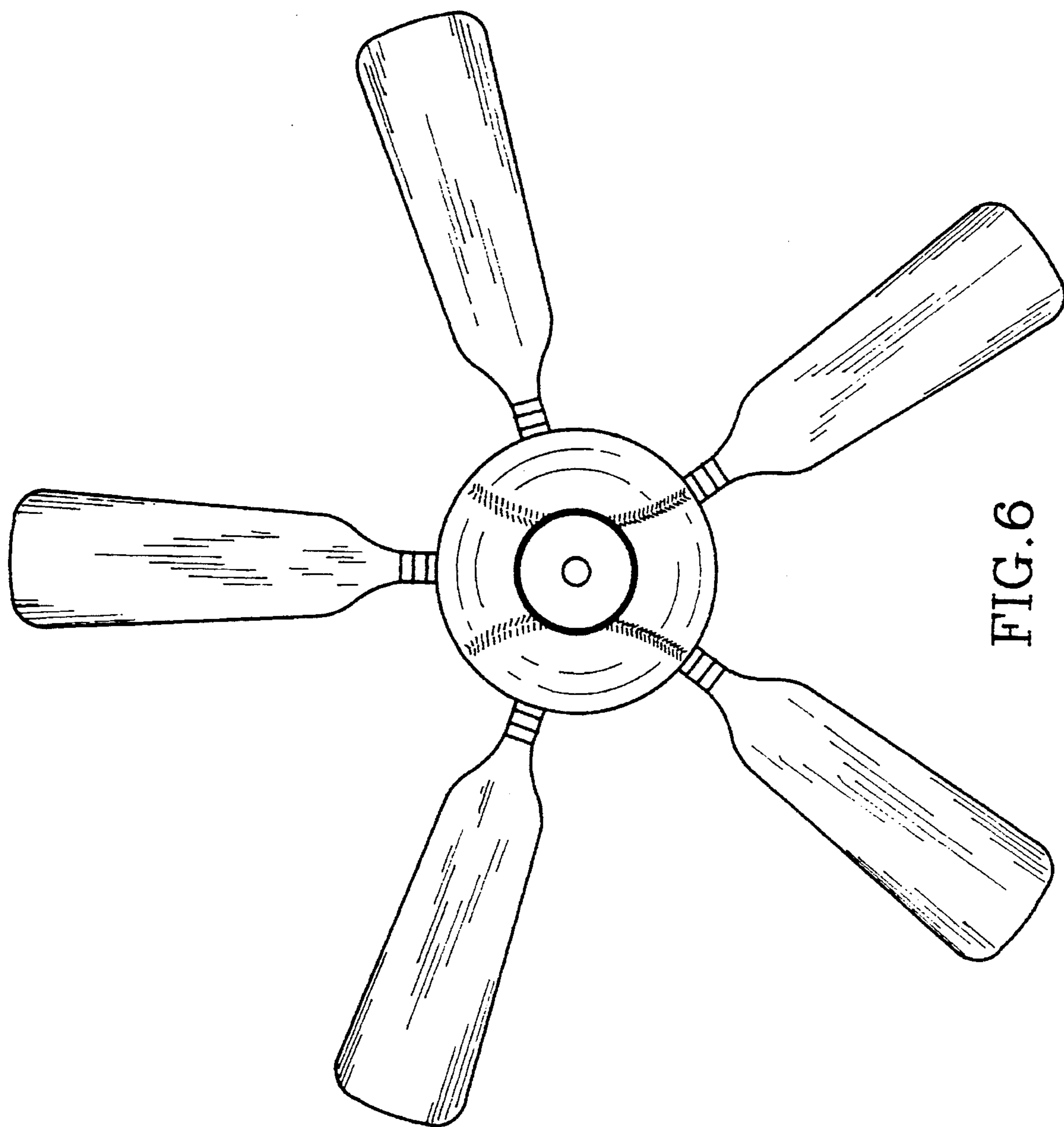


FIG. 6

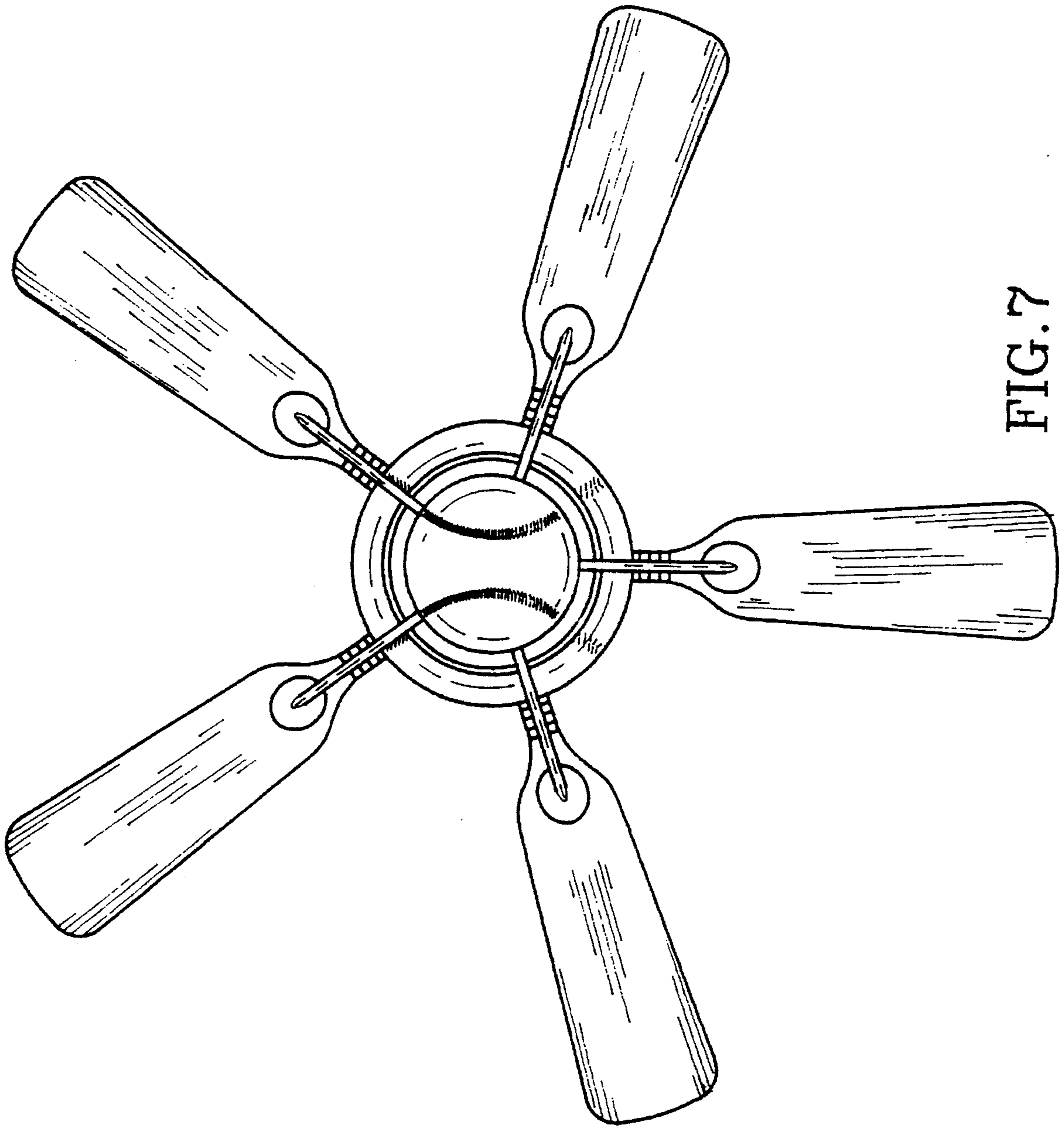


FIG. 7