



US00D373183S

**United States Patent** [19]  
**Beyer**

[11] **Patent Number: Des. 373,183**  
[45] **Date of Patent: \*\*Aug. 27, 1996**

[54] **AIR IONIZING RING**  
[75] **Inventor: Douglas H. Beyer**, Cathedral City, Calif.  
[73] **Assignee: Richmond Technology, Inc.**, Redlands, Calif.  
[\*\*] **Term: 14 Years**  
[21] **Appl. No.: 31,933**  
[22] **Filed: Dec. 8, 1994**  
[52] **U.S. Cl. .... D23/364; D23/355; D23/366**  
[58] **Field of Search .... D23/364, 355, 212; D13/117**

4,829,398 5/1989 Wilson ..... 361/213  
4,974,115 11/1990 Breidegam et al. .... 361/231  
5,065,272 11/1991 Owen et al. .... 361/231  
5,150,273 9/1992 Le Vantine ..... 361/221

*Primary Examiner*—James M. Gandy  
*Assistant Examiner*—Stacia Sinuik  
*Attorney, Agent, or Firm*—Stetina Brunda & Buyan

[57] **CLAIM**

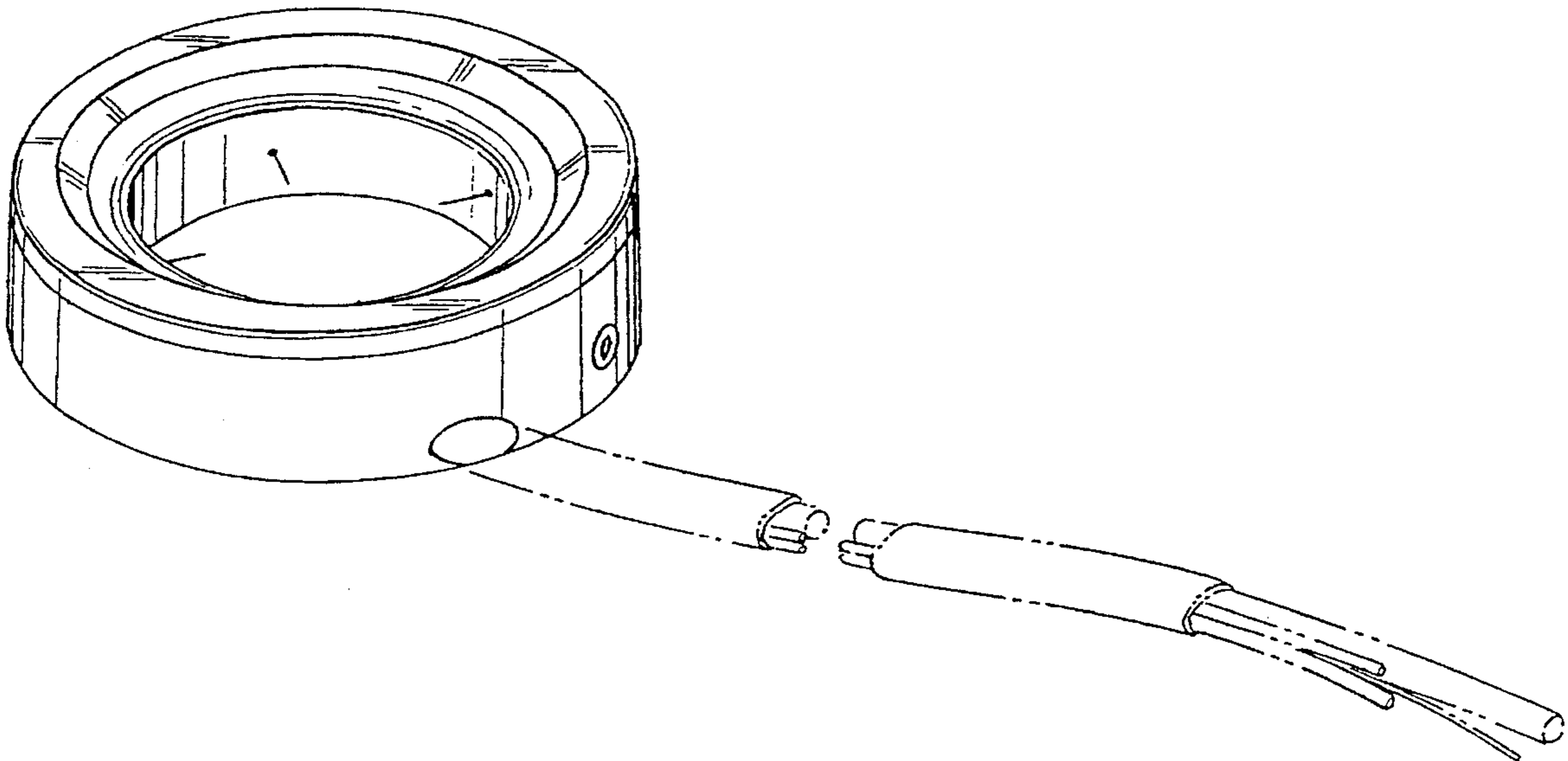
The ornamental design for a air ionizing ring, as shown and described.

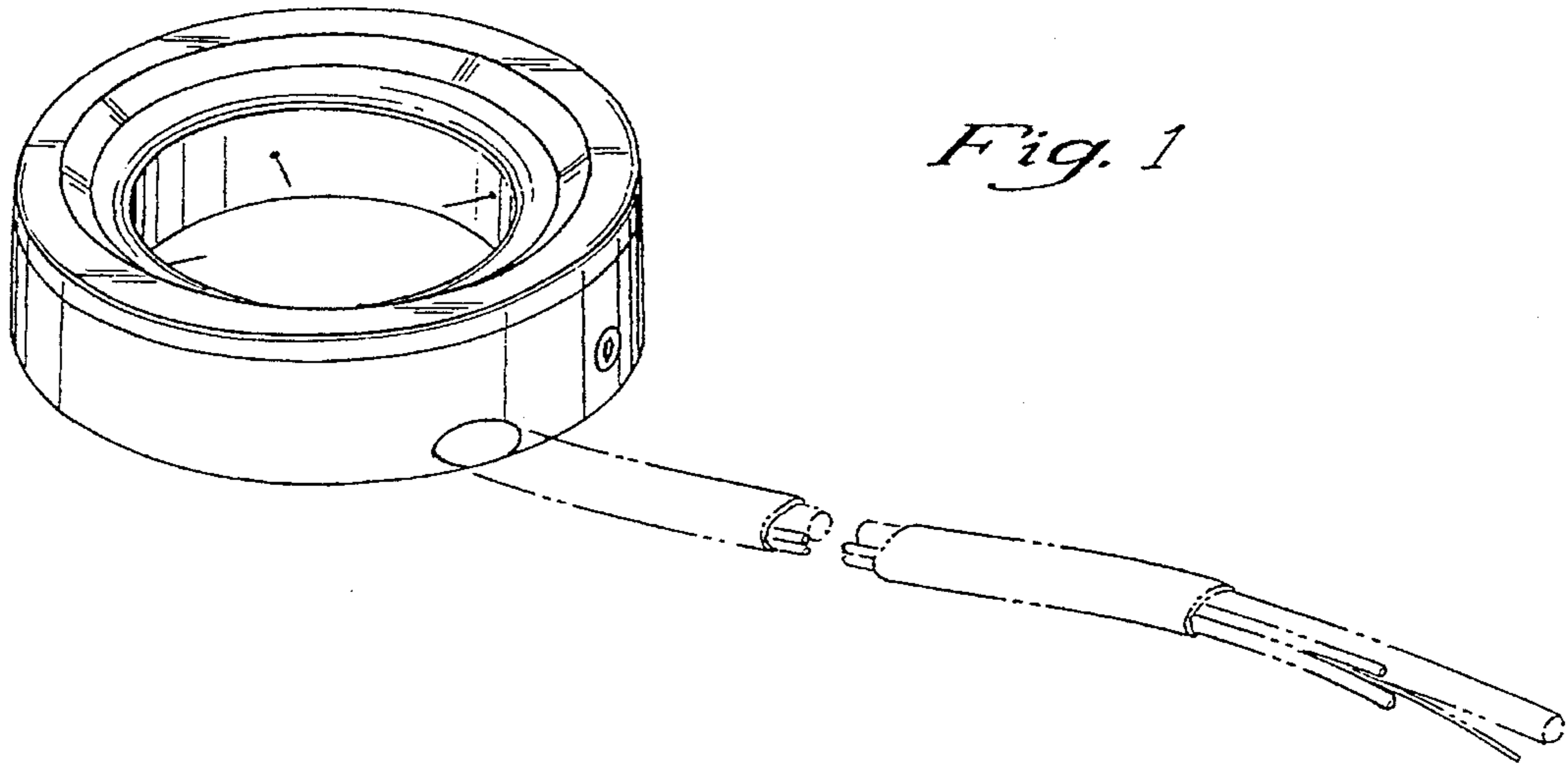
**DESCRIPTION**

FIG. 1 is a front perspective view of the air ionizing ring of the present invention showing my new design; FIG. 2 is a bottom perspective view thereof; FIG. 3 is a top plan view thereof; and, FIG. 4 is a side elevation view thereof. The broken line showing of environment is for illustrative purposes only and forms no part of the claimed design.

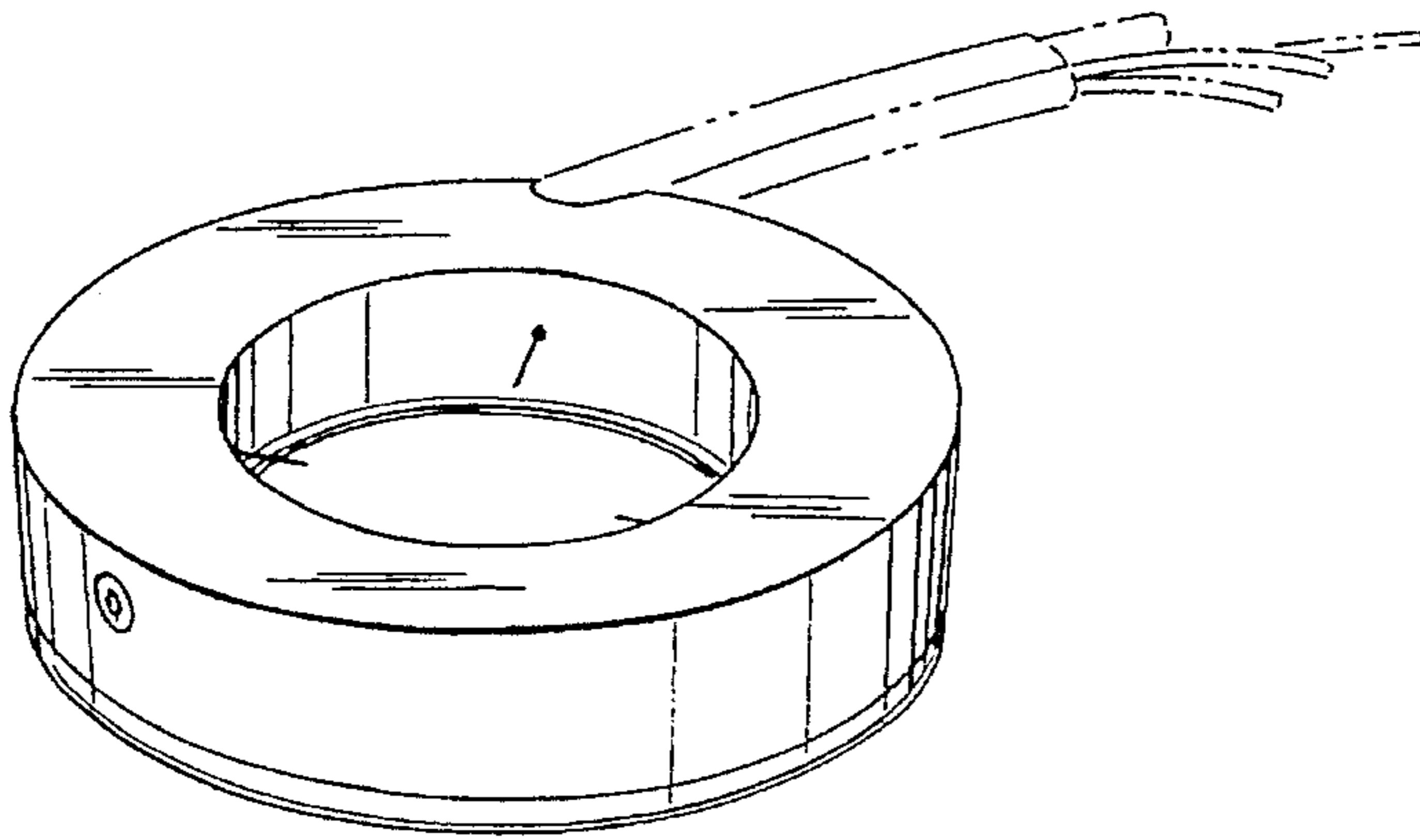
[56] **References Cited**  
**U.S. PATENT DOCUMENTS**  
4,496,375 1/1985 Le Vantine ..... 55/131  
4,768,126 8/1988 Le Vantine ..... 361/213  
4,771,361 9/1988 Varga ..... 361/231

**1 Claim, 1 Drawing Sheet**

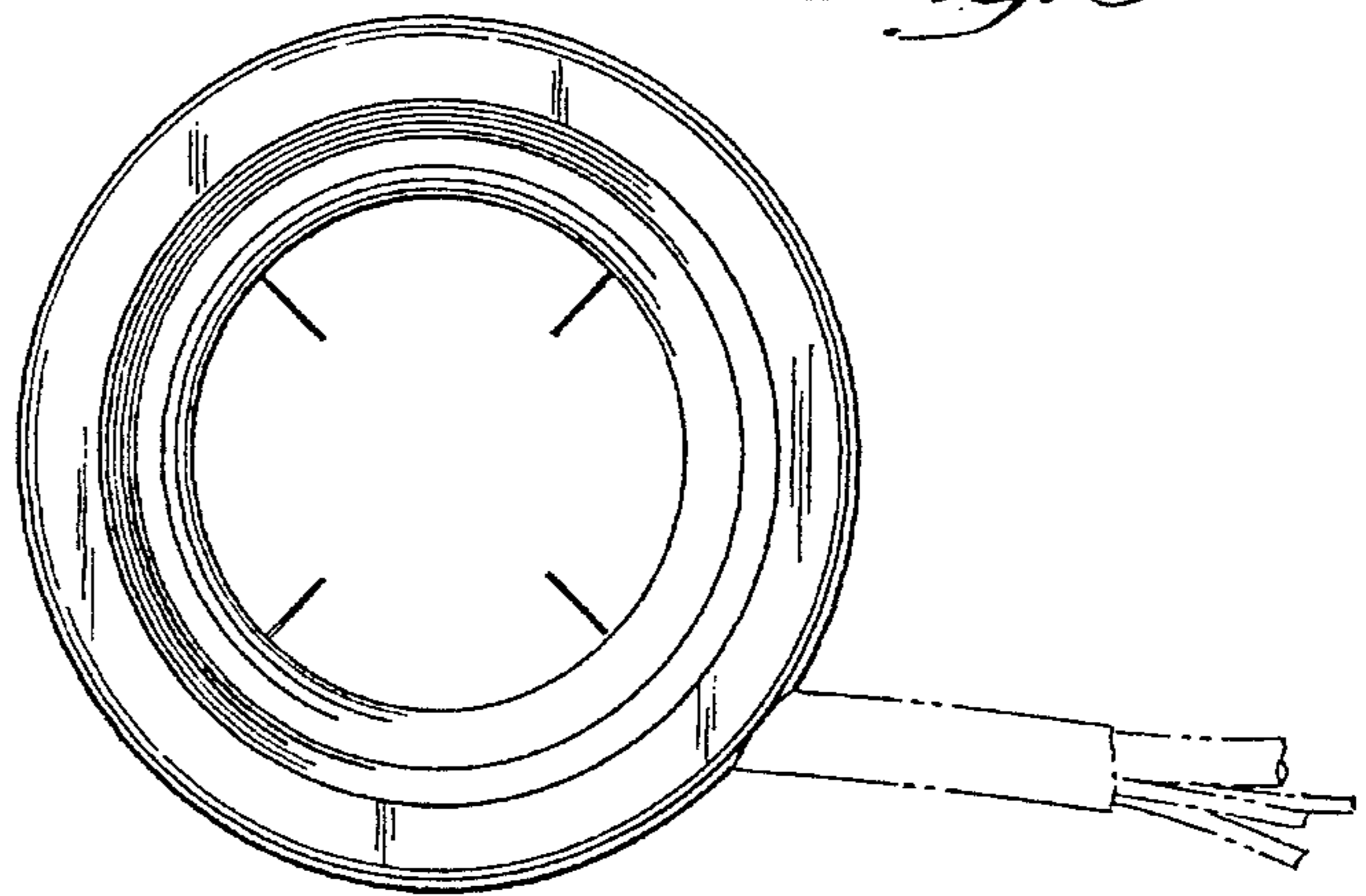




*Fig. 1*



*Fig. 2*



*Fig. 3*

*Fig. 4*

