



US00D373182S

United States Patent [19]

Kawamura et al.

[11] Patent Number: Des. 373,182

[45] Date of Patent: **Aug. 27, 1996

[54] COMBINED TOILET BASIN, TOILET SEAT AND SEAT COVER

D. 343,892 2/1994 Chen D23/301
D. 347,496 5/1994 Wei D23/301

[75] Inventors: Seiji Kawamura; Noriko Y. Hashida, both of Kitakyushu, Japan

Primary Examiner—Stella Reid
Assistant Examiner—Eric Watterson
Attorney, Agent, or Firm—Finnegan, Henderson, Farabow, Garrett & Dunner

[73] Assignee: Toto, Ltd., Fukuoka, Japan

[**] Term: 14 Years

[57] CLAIM

[21] Appl. No.: 25,057

The ornamental design for a combined toilet basin, toilet seat and seat cover, as shown and described.

[22] Filed: Jun. 27, 1994

DESCRIPTION

[30] Foreign Application Priority Data

FIG. 1 is a right side elevational view of a combined toilet basin, toilet seat and seat cover embodying our design; FIG. 2 is a rear elevational view; FIG. 3 is a front elevational view; FIG. 4 is a top plan view; FIG. 5 is a bottom plan view; FIG. 6 is a perspective view of the front and right side thereof; FIG. 7 is a right elevational view of a second embodiment of a toilet basin, toilet seat and seat cover assembly embodying our design; FIG. 8 is a rear elevational view thereof; FIG. 9 is a front elevational view thereof; FIG. 10 is a top plan view thereof; FIG. 11 is a bottom plan view thereof; and, FIG. 12 is a perspective view of the front and right side thereof.

Dec. 28, 1993 [JP] Japan 5-39891
Dec. 28, 1993 [JP] Japan 5-39893

[52] U.S. Cl. D23/285

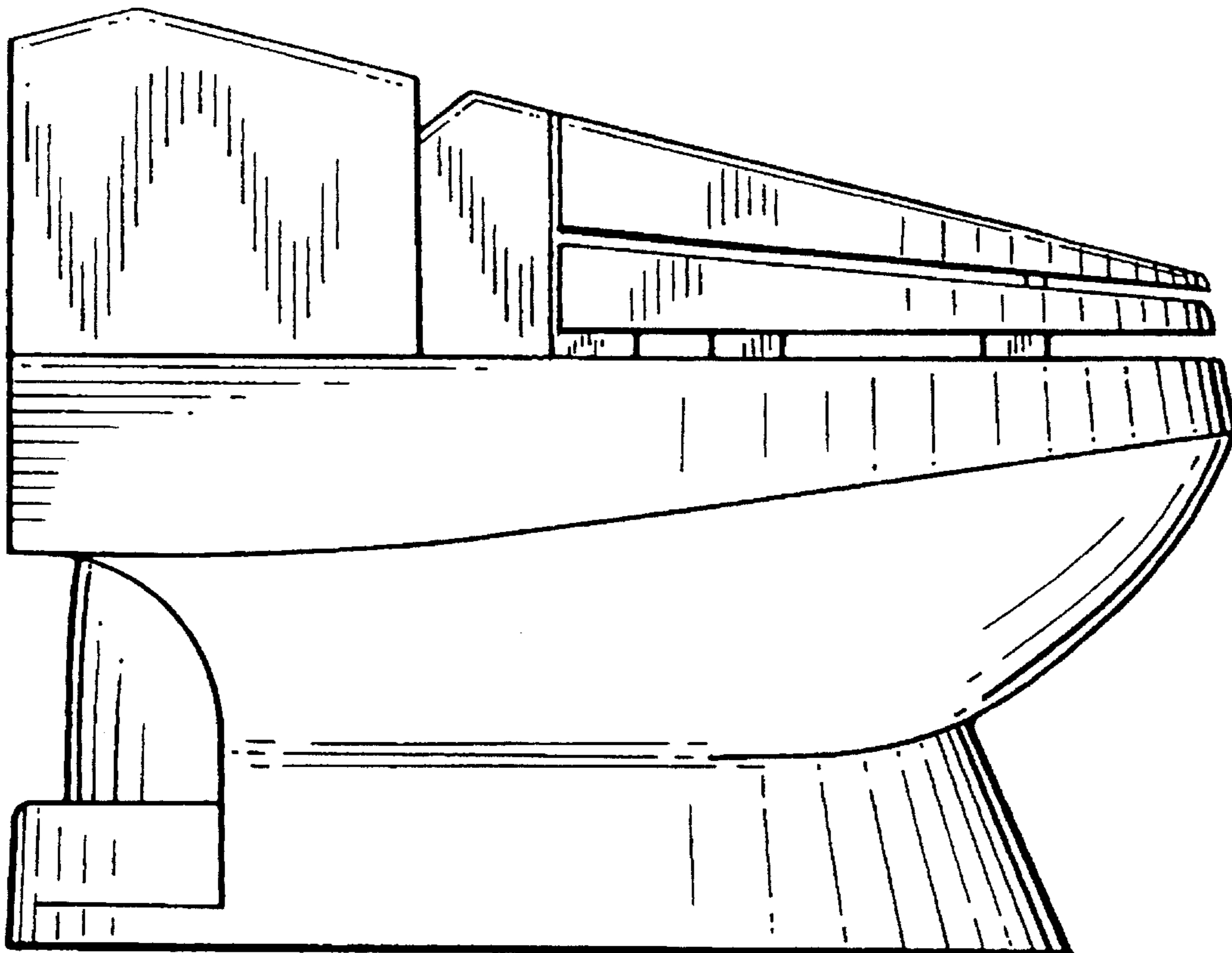
[58] Field of Search D23/295-301;
4/420.1-420.5, 443-448

[56] References Cited

U.S. PATENT DOCUMENTS

D. 250,202 11/1978 Doman et al. D23/301
D. 268,779 4/1983 Doman .
D. 275,515 9/1984 Kaiser .
D. 275,599 9/1984 Enthoven .
D. 288,588 3/1987 Stairs, Jr. .
D. 288,589 3/1987 Stairs, Jr. .
D. 288,590 3/1987 Stairs, Jr. .
D. 311,435 10/1990 Cheng D23/301
D. 342,778 12/1993 Chen D23/301

1 Claim, 4 Drawing Sheets



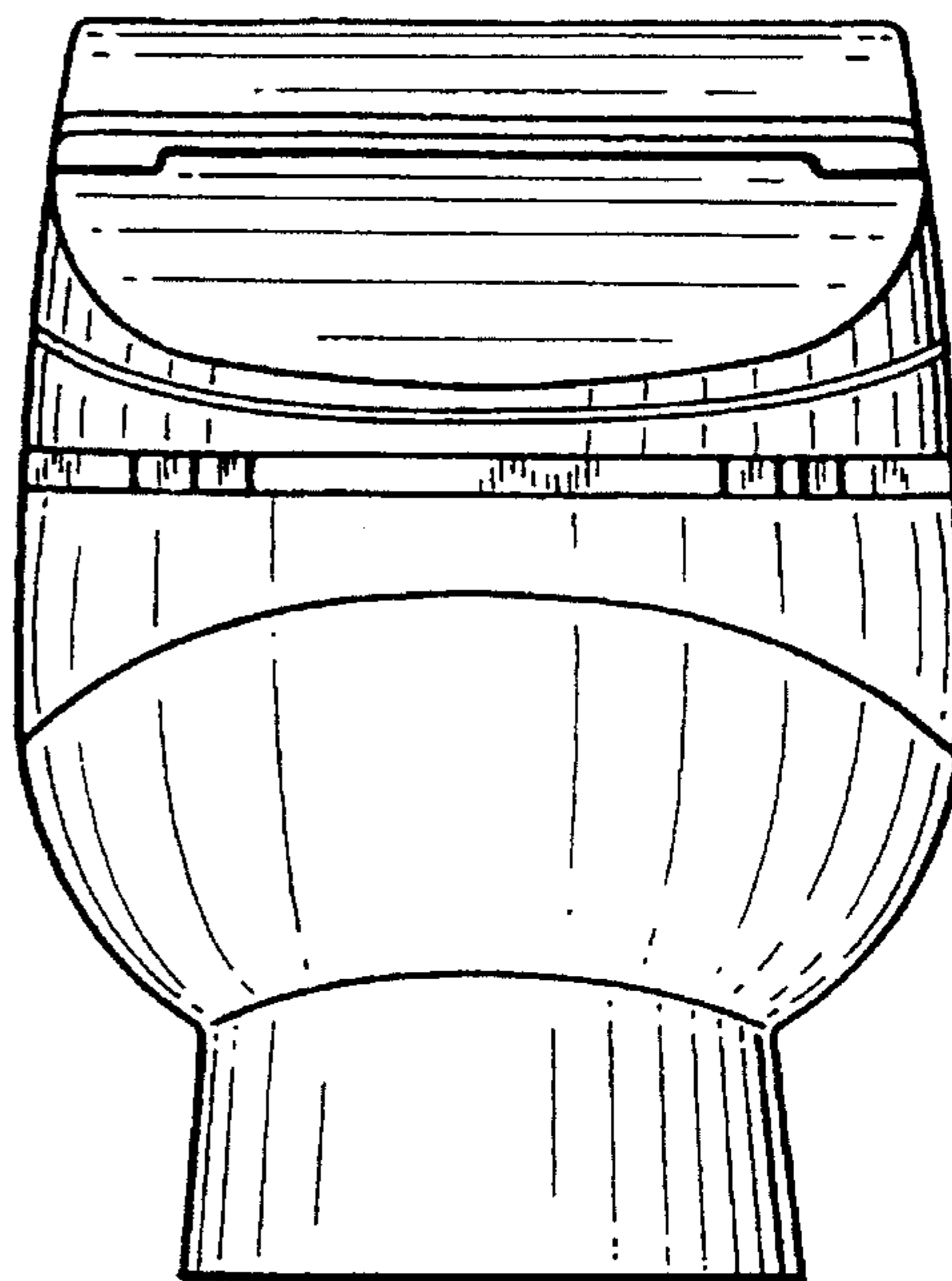
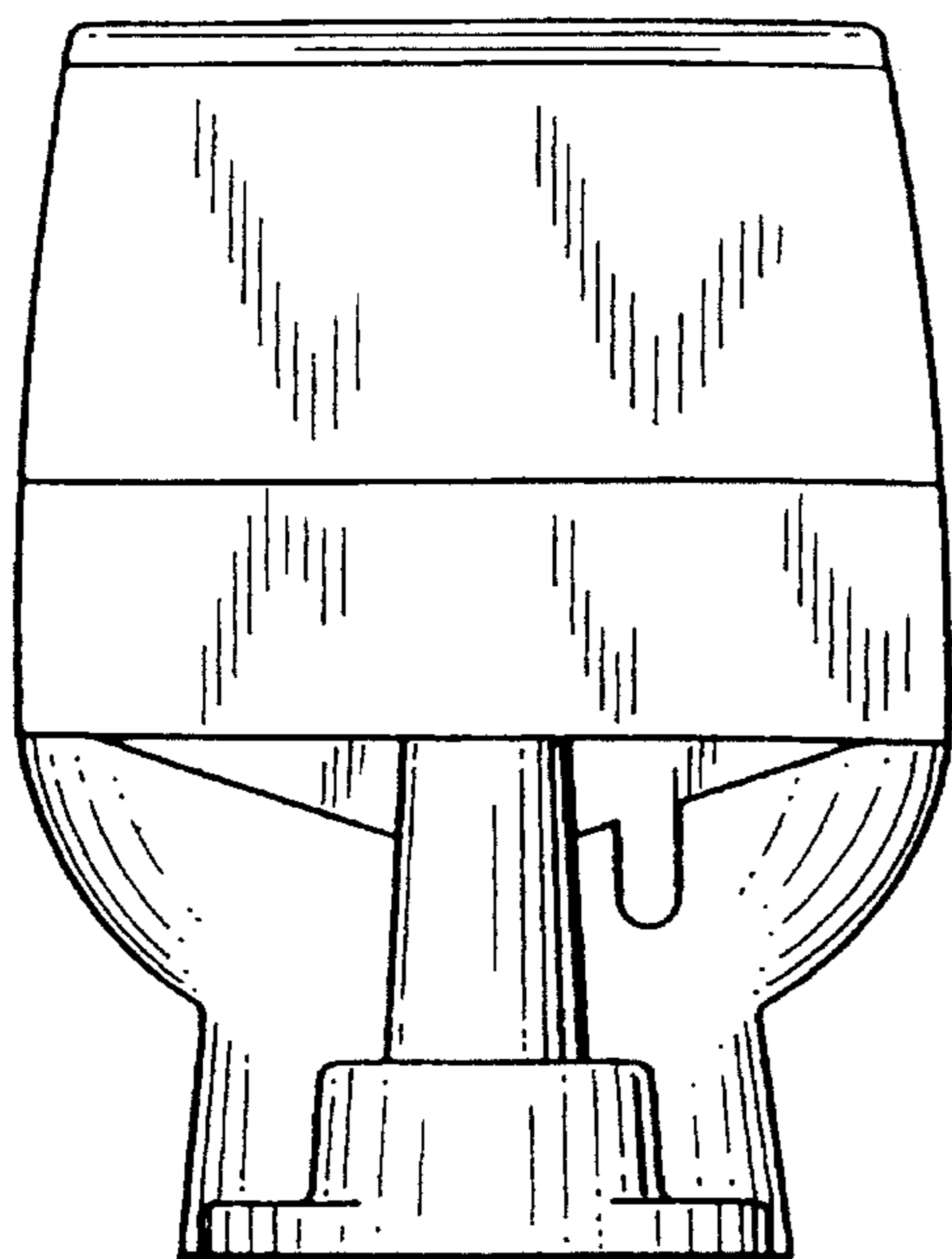
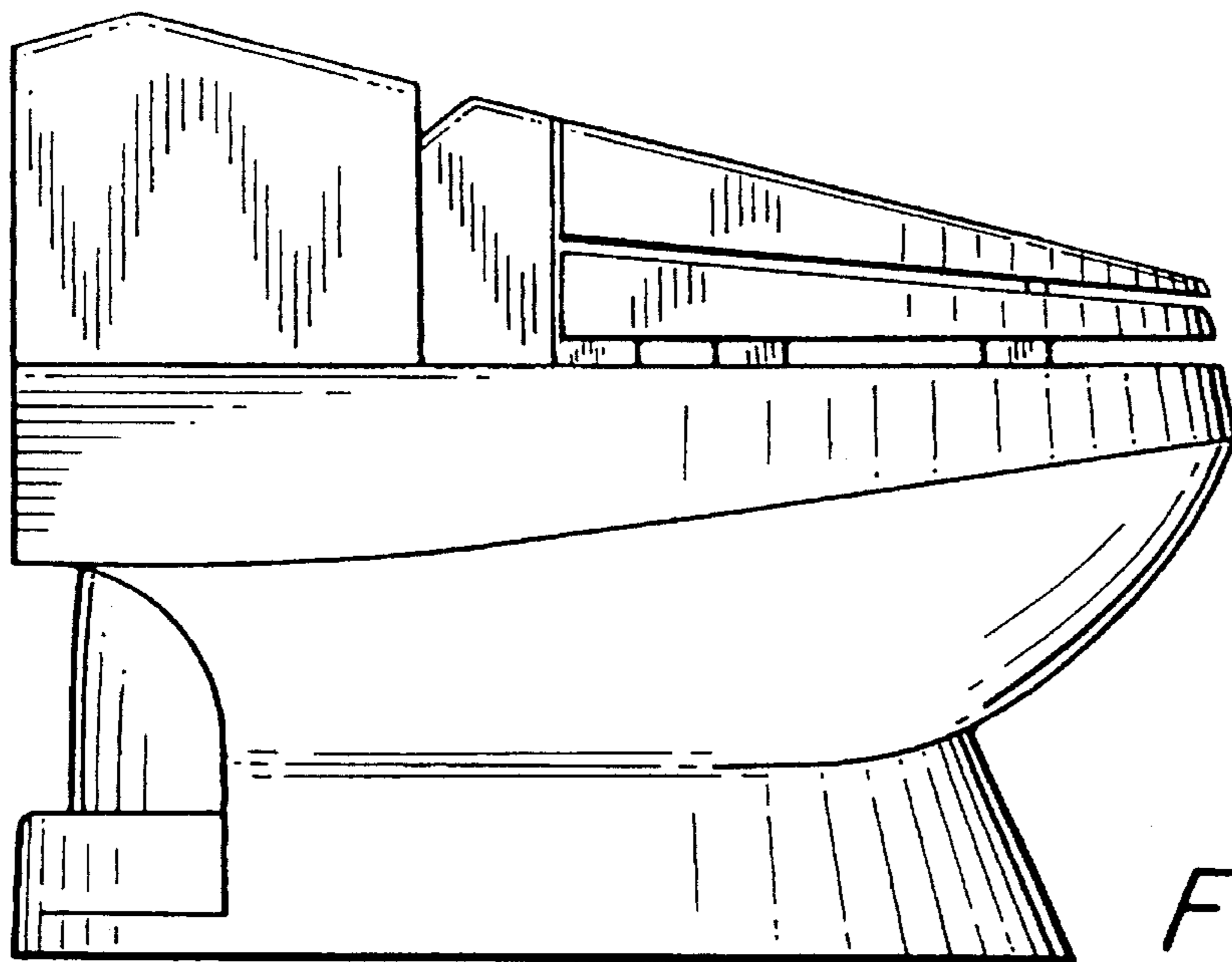


FIG. 2

FIG. 3

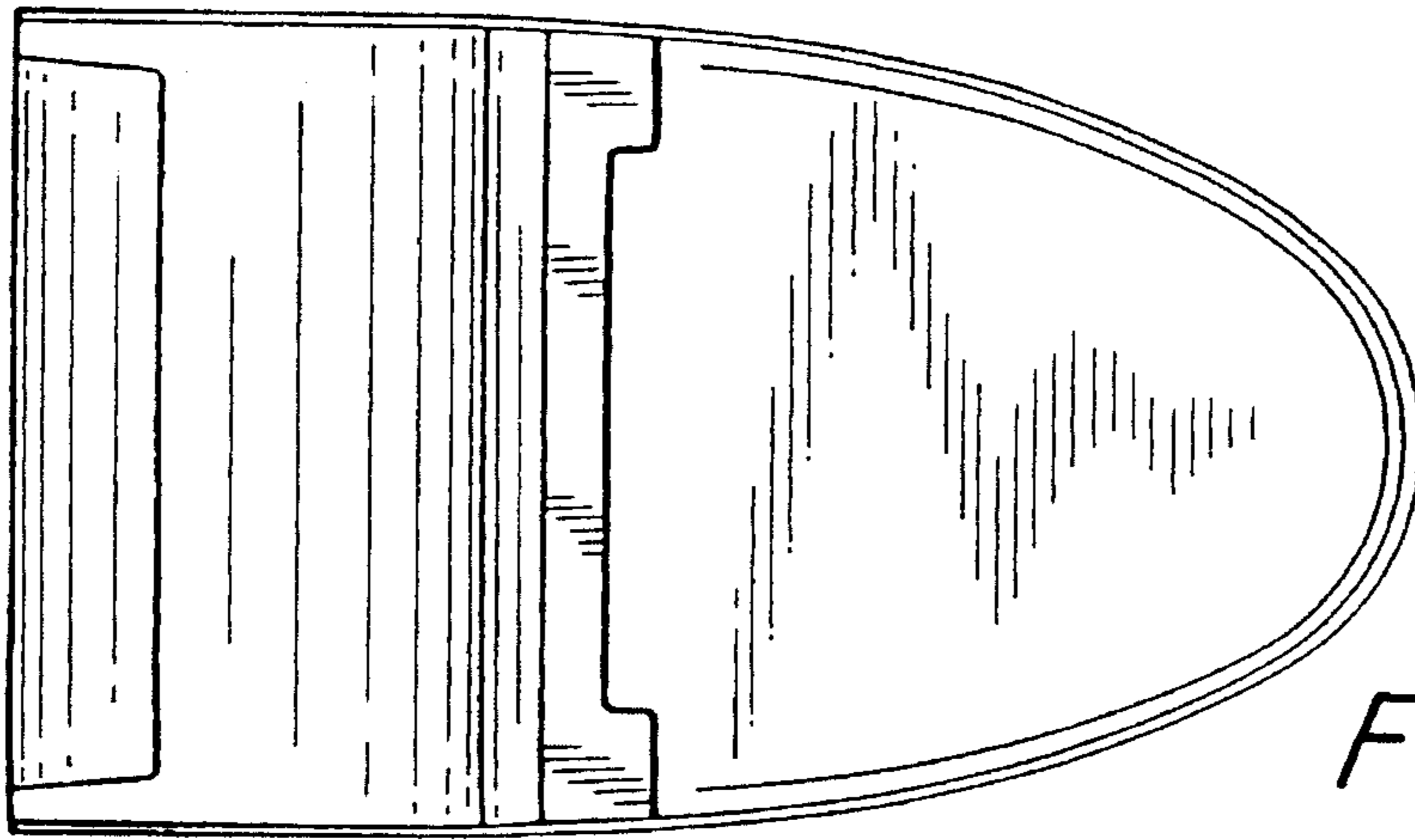


FIG. 4

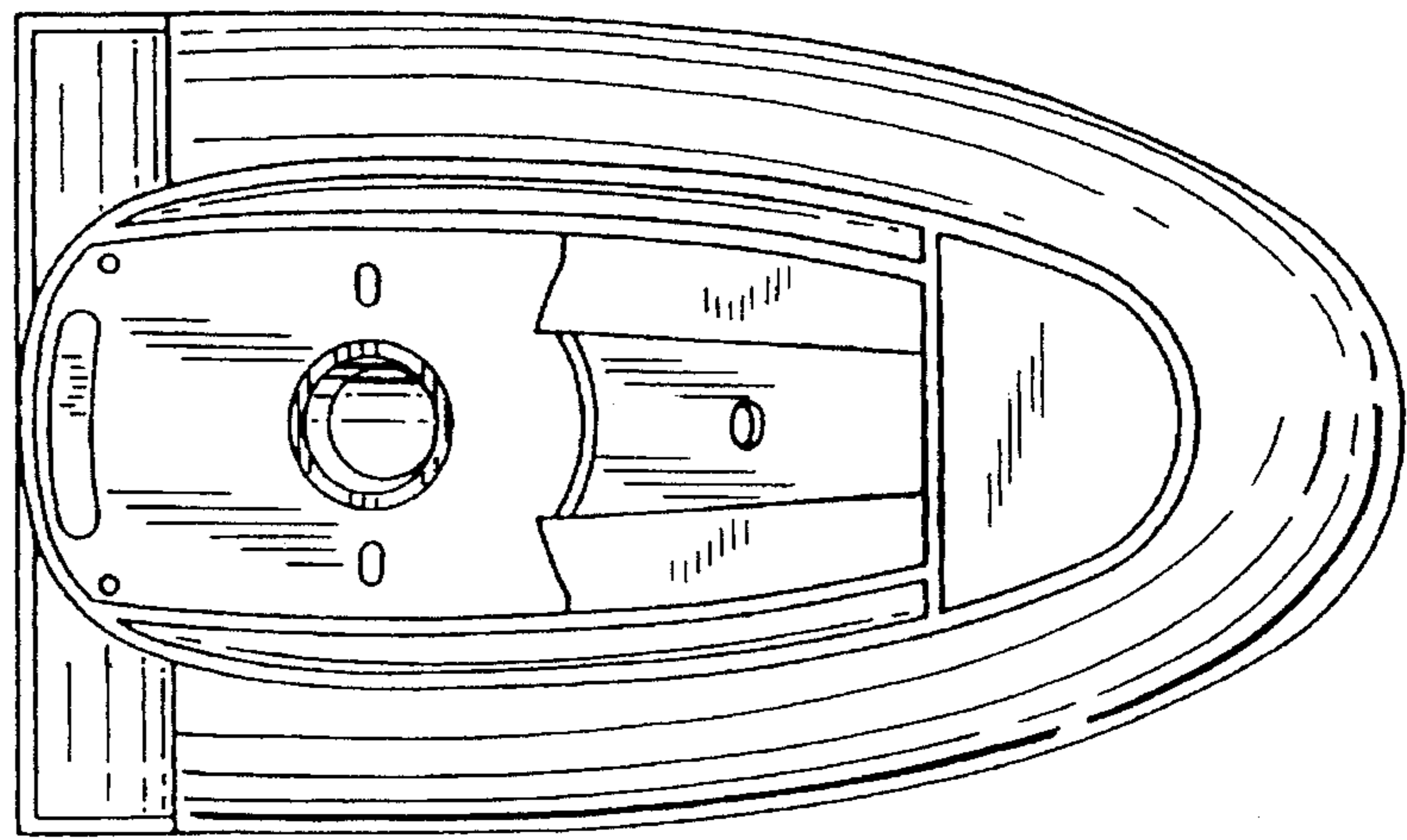


FIG. 5

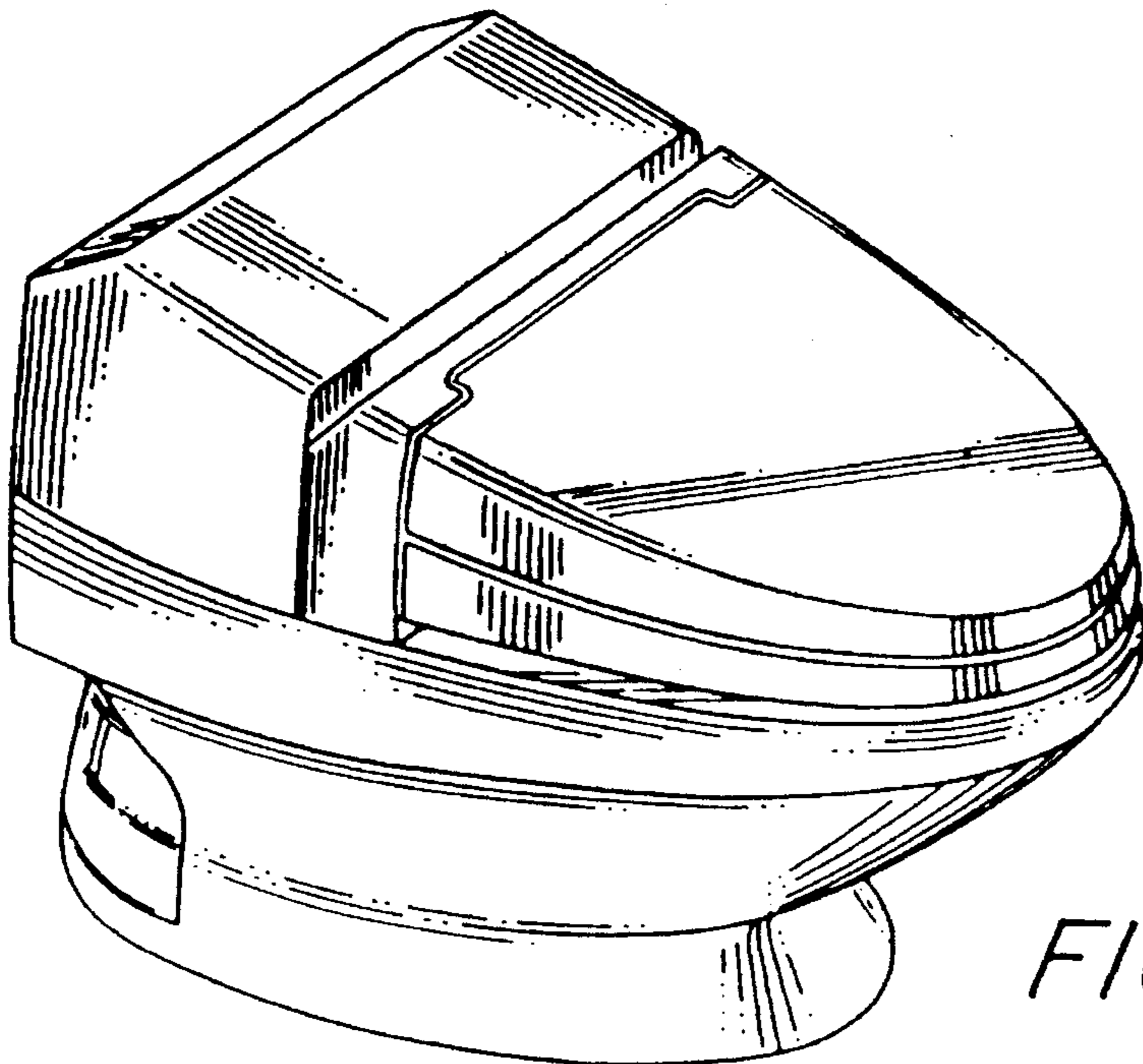


FIG. 6

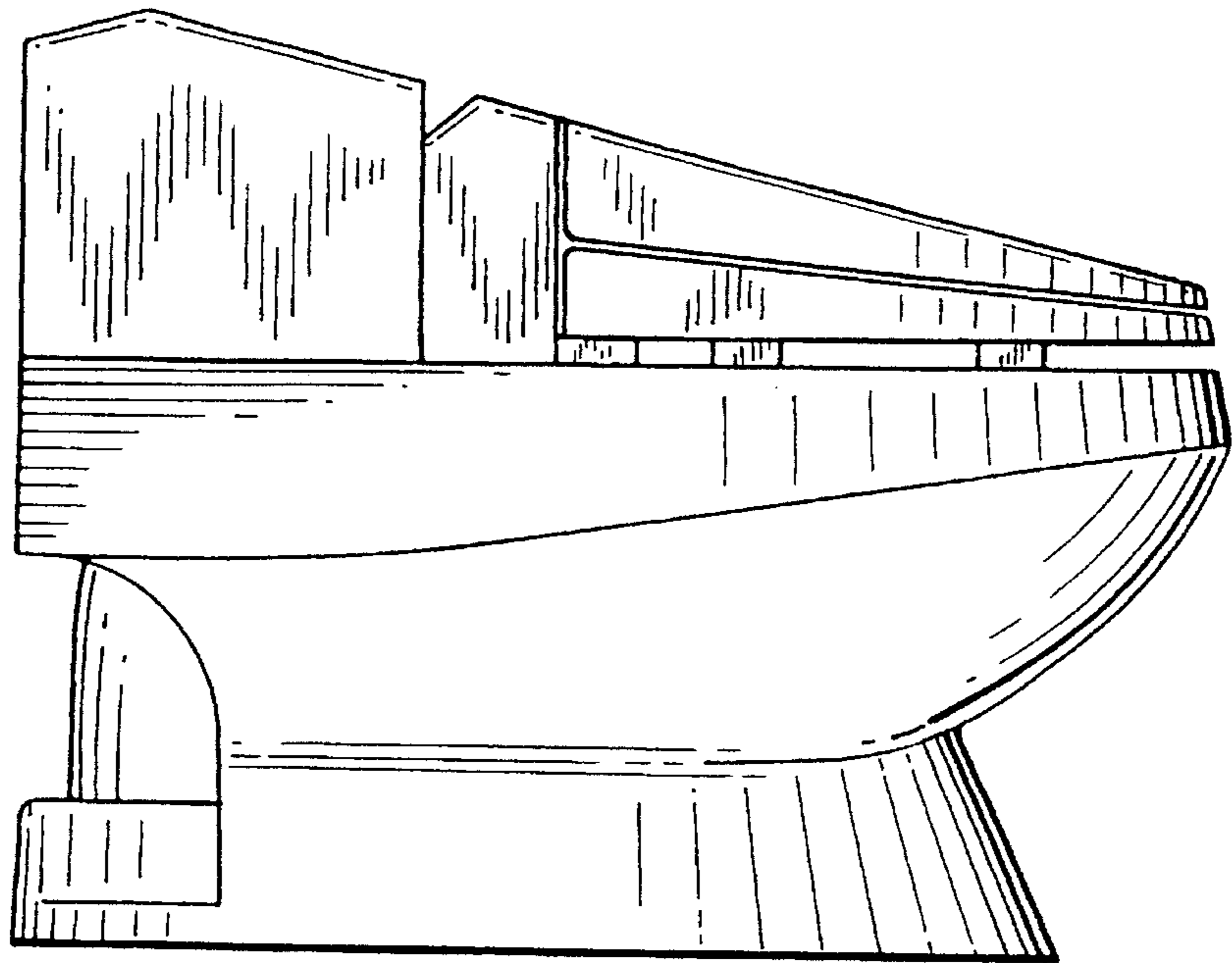


FIG. 7

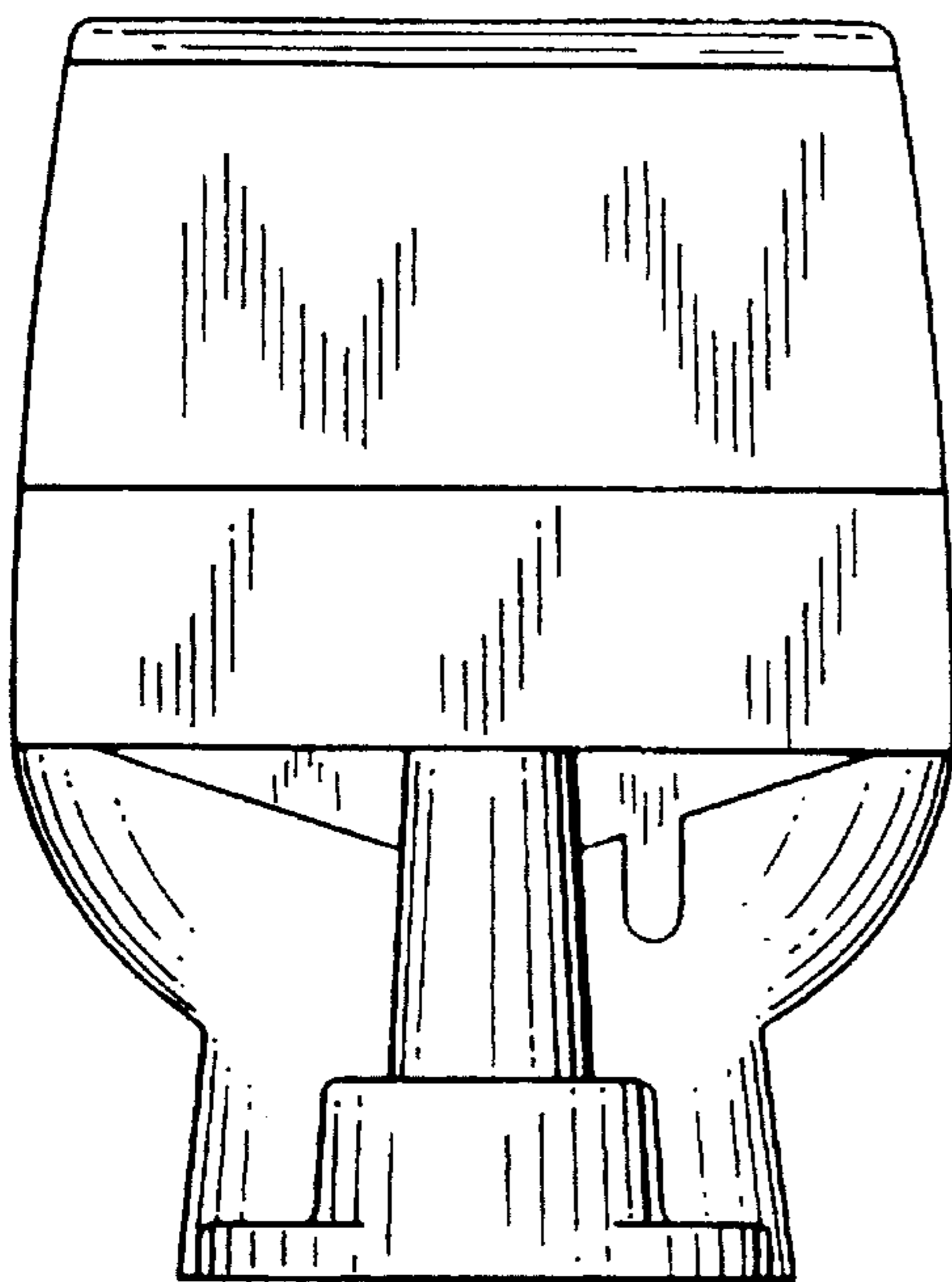


FIG. 8

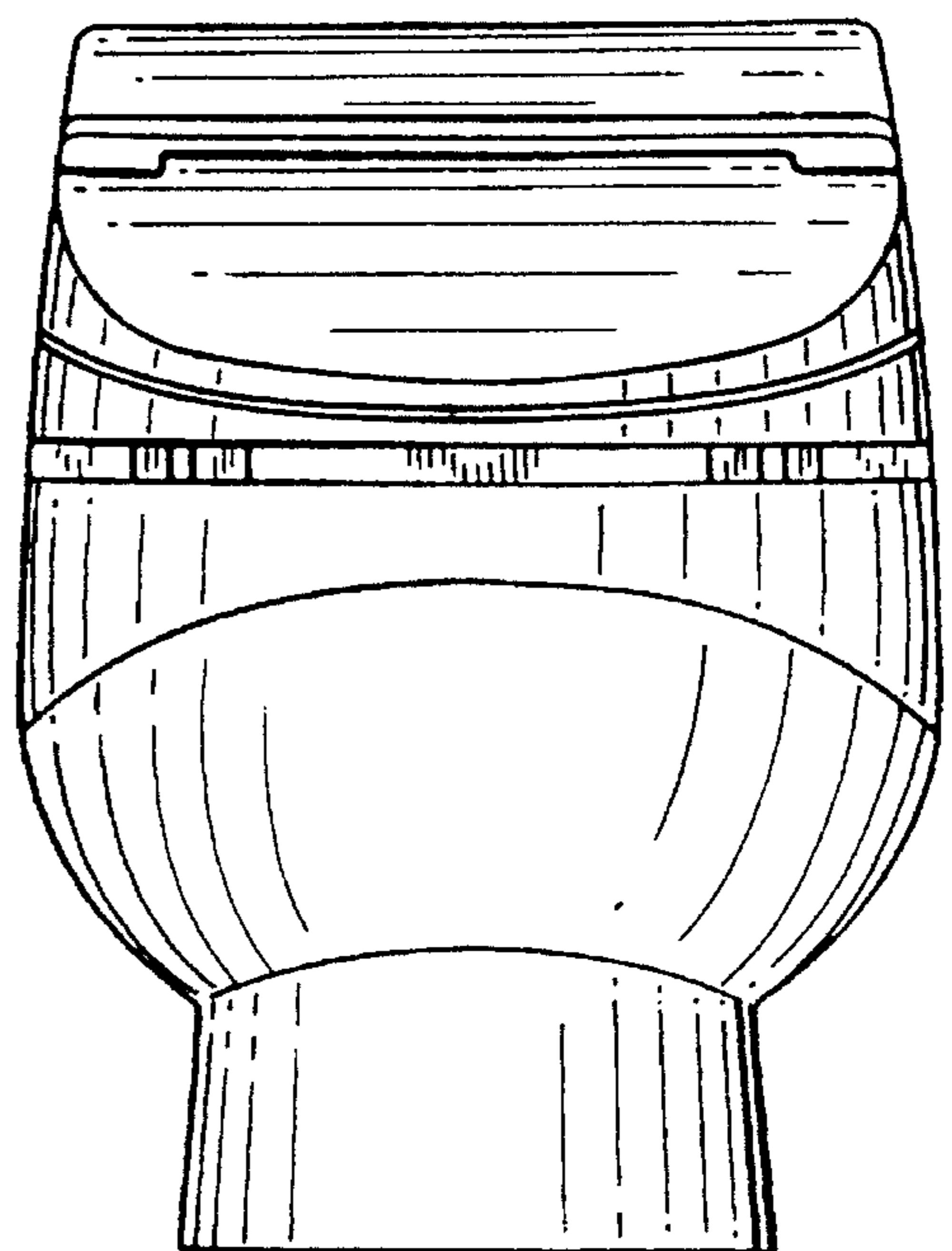


FIG. 9

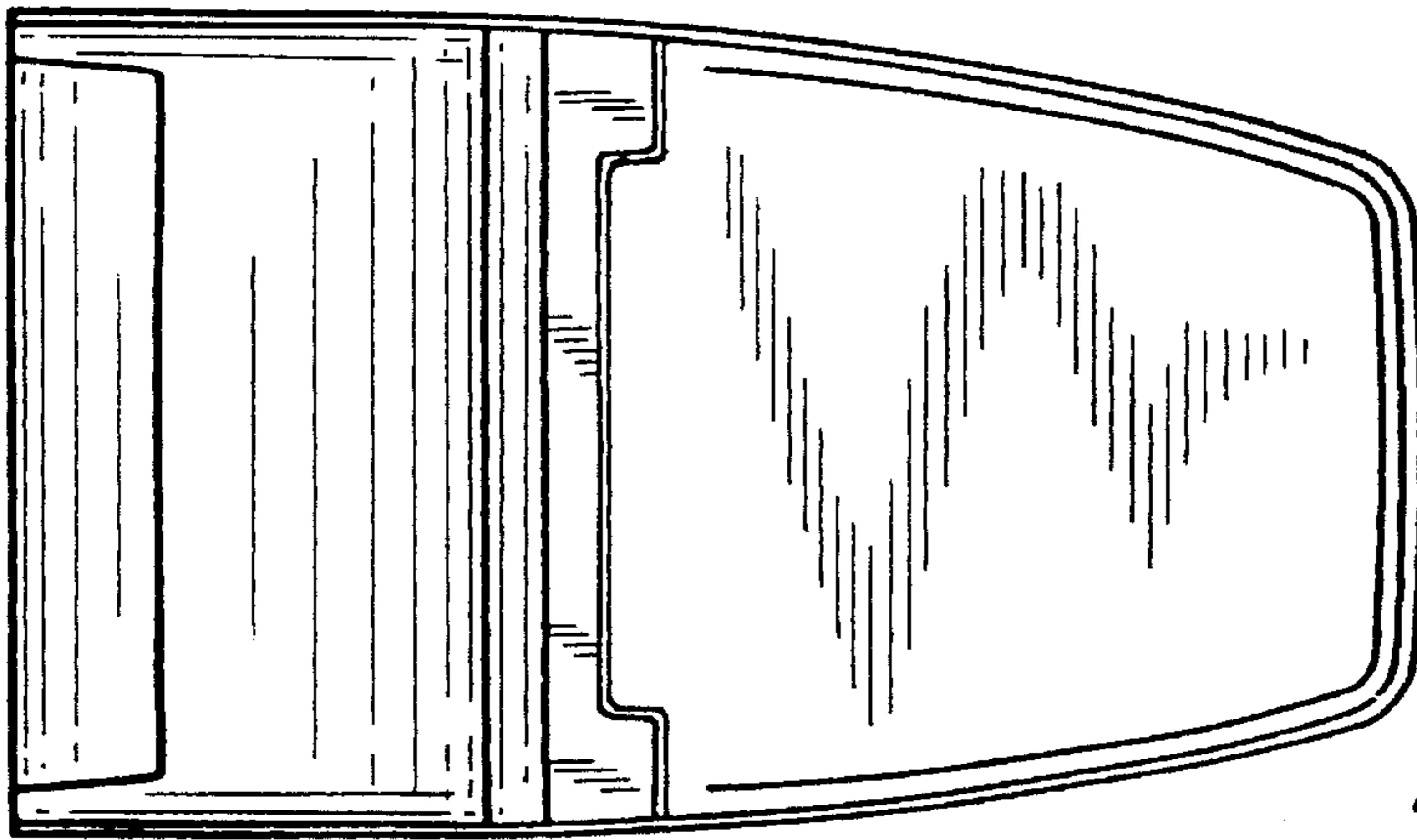


FIG. 10

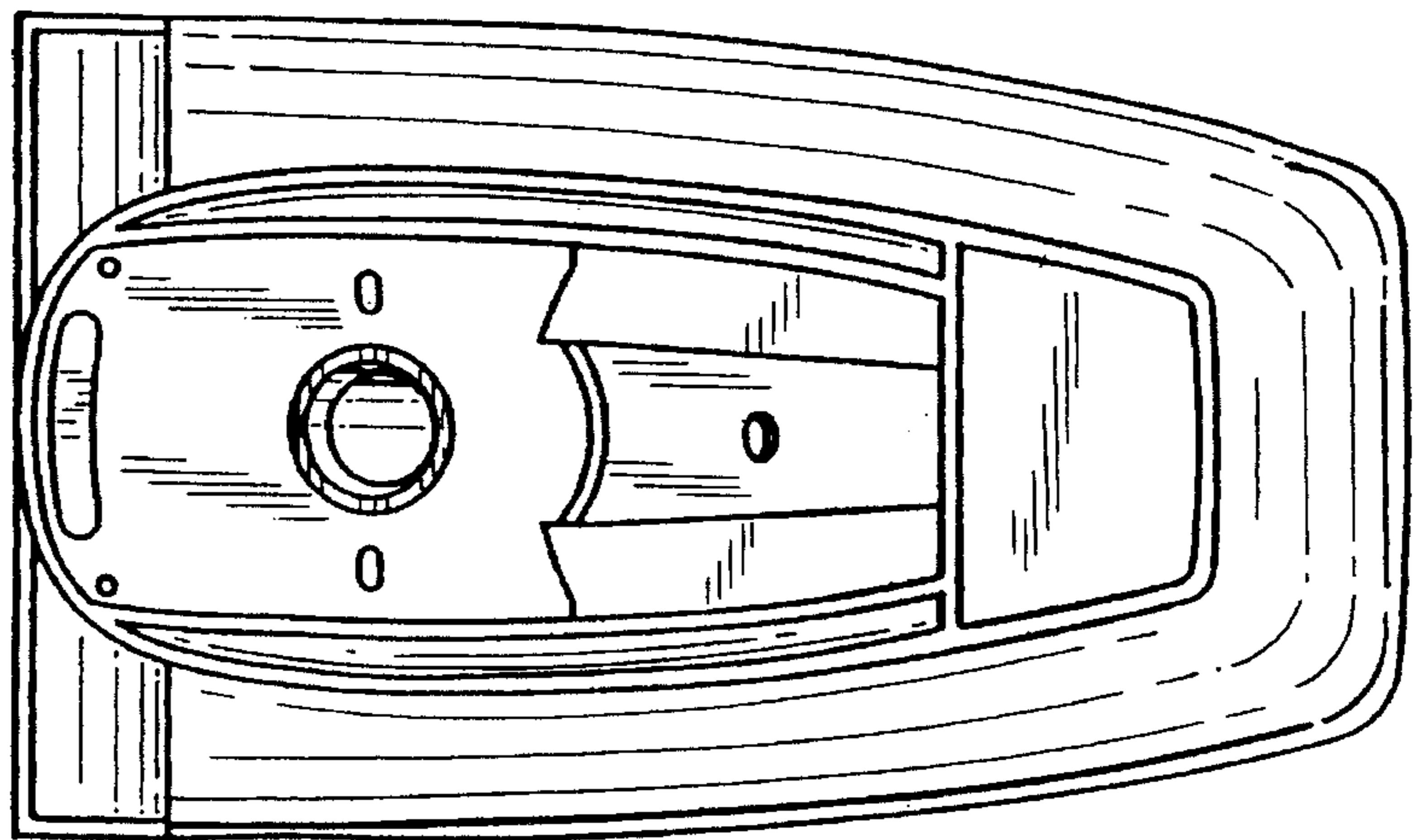


FIG. 11

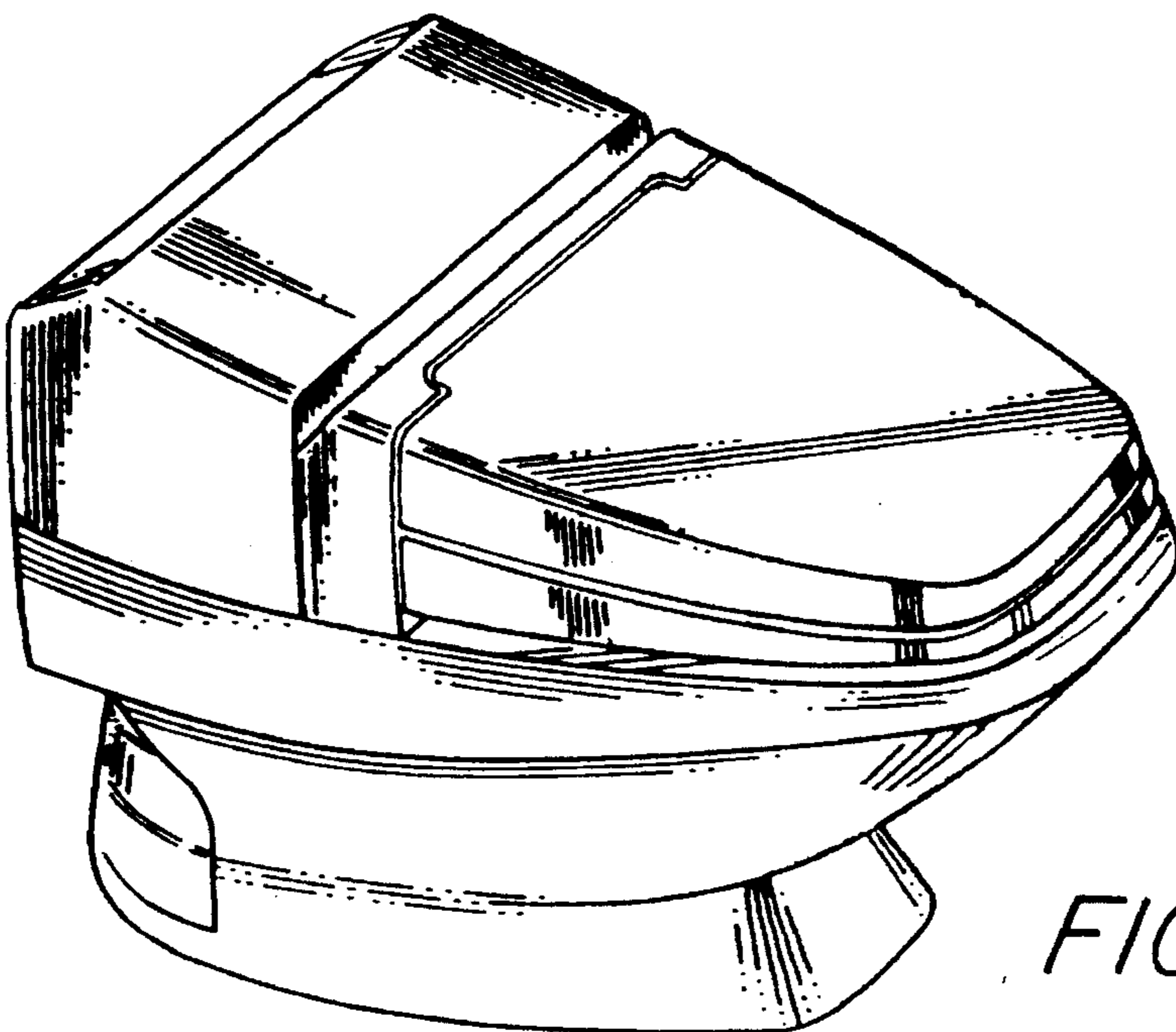


FIG. 12