



US00D373181S

United States Patent [19] Howard

[11] Patent Number: Des. 373,181
[45] Date of Patent: **Aug. 27, 1996

[54] **COMBINED CURB AND DRAINAGE SYSTEM**

[76] Inventor: **David Howard**, 6 Falconwood Chase, Worsley, Manchester, England, M28 4FG

[**] Term: **14 Years**

[21] Appl. No.: **25,441**

[22] Filed: **Jun. 28, 1994**

[52] U.S. Cl. **D23/261**

[58] Field of Search D23/261, 267;
D25/35, 119, 164; 52/11, 12, 13-18; 210/164;
248/48.2

[56] **References Cited**

U.S. PATENT DOCUMENTS

D. 217,247 4/1970 Brown D23/267
D. 235,851 7/1975 Kitson D23/267
D. 312,696 12/1990 Phillips D25/35

D. 314,815 2/1991 Paulsson D23/267
D. 328,500 8/1992 Hardy D23/267 X
D. 338,948 8/1993 Fox D23/267
4,407,097 10/1983 Allen 52/11

Primary Examiner—Stella Reid
Assistant Examiner—Eric Watterson
Attorney, Agent, or Firm—Gardner, Carton & Douglas

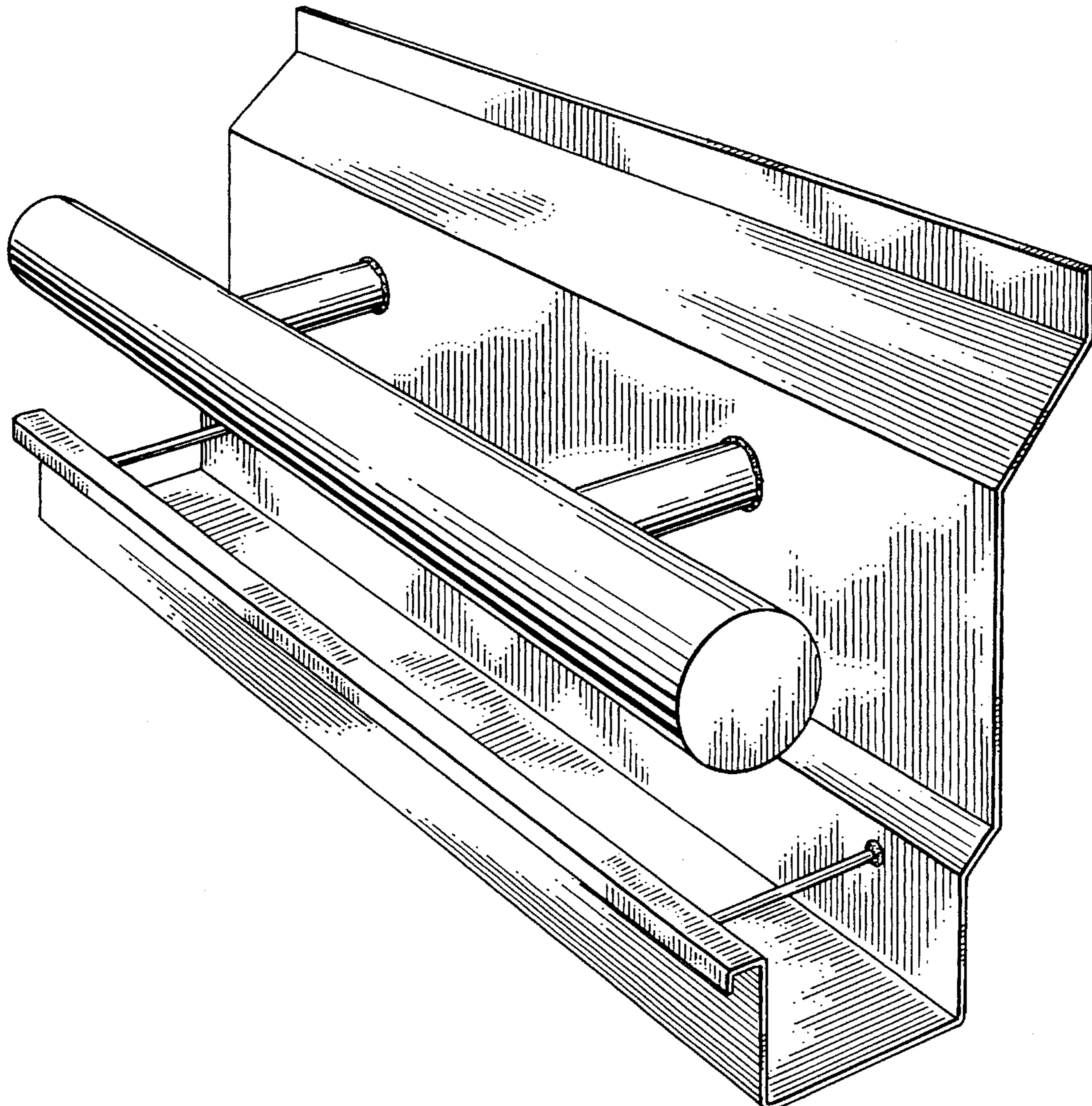
[57] **CLAIM**

The ornamental design for a combined curb and drainage system, as shown and described.

DESCRIPTION

FIG. 1 is a perspective view of a combined curb and drainage system showing my new design;
FIG. 2 is a left side view thereof, the opposite side being a mirror image;
FIG. 3 is a top view thereof;
FIG. 4 is a front view thereof.

1 Claim, 3 Drawing Sheets



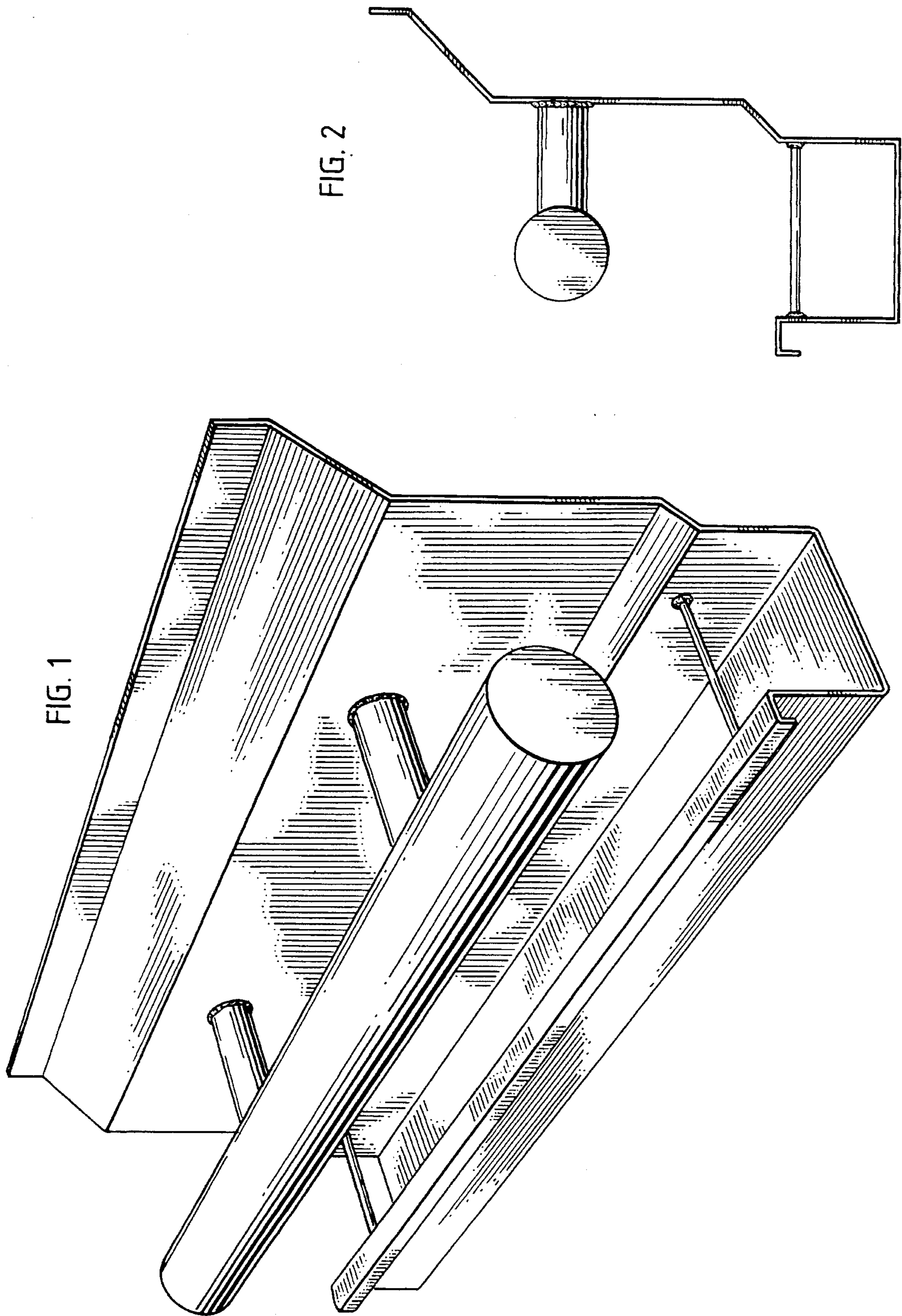


FIG. 1

FIG. 2

FIG. 3

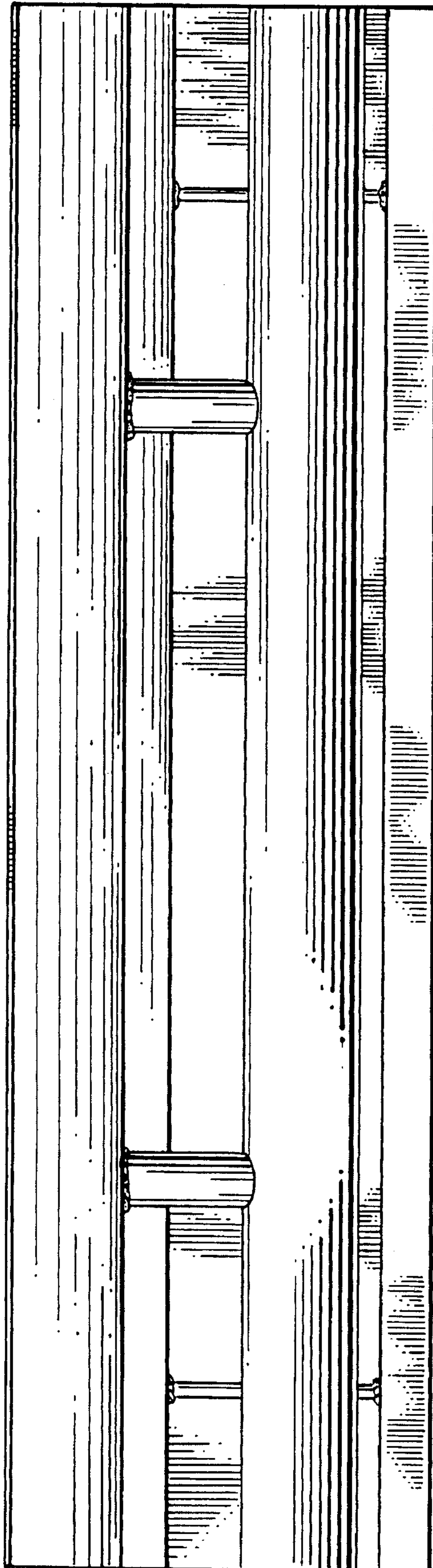


FIG. 4

