



US00D373179S

**United States Patent** [19]  
**Sieger**

[11] **Patent Number:** **Des. 373,179**  
[45] **Date of Patent:** **\*\*Aug. 27, 1996**

[54] **FAUCET**

[75] **Inventor:** **Dieter Sieger**, Sassenberg, Germany

[73] **Assignee:** **Aloys F. Dornbracht GmbH & Co. KG**, Iserlohn, Germany

[\*\*] **Term:** **14 Years**

[21] **Appl. No.:** **37,100**

[22] **Filed:** **Apr. 3, 1995**

[30] **Foreign Application Priority Data**

Jan. 19, 1995 [DE] Germany ..... M9500402.5

[52] **U.S. Cl.** ..... **D23/241**

[58] **Field of Search** ..... D23/238-243,  
D23/255-257; 4/675-678

[56] **References Cited**

**U.S. PATENT DOCUMENTS**

D. 276,259 11/1984 Miller ..... D23/241  
D. 288,835 3/1987 Yost ..... D23/241

D. 312,495 11/1990 Joerger ..... D23/242  
D. 351,218 10/1994 Sieger ..... D23/241  
D. 363,975 11/1995 Doughty et al. .... D23/241  
D. 364,215 11/1995 Starck ..... D23/242

*Primary Examiner*—Stella Reid  
*Assistant Examiner*—Eric Watterson  
*Attorney, Agent, or Firm*—Herbert Dubno

[57] **CLAIM**

The ornamental design for a faucet, as shown and described.

**DESCRIPTION**

FIG. 1 is a top, front, left-side perspective view of a faucet showing my new design;  
FIG. 2 is a front view thereof;  
FIG. 3 is a rear view thereof;  
FIG. 4 is a top view thereof;  
FIG. 5 is a bottom view thereof; and,  
FIG. 6 is a left side elevational view, the right side being a mirror image thereof.

**1 Claim, 6 Drawing Sheets**

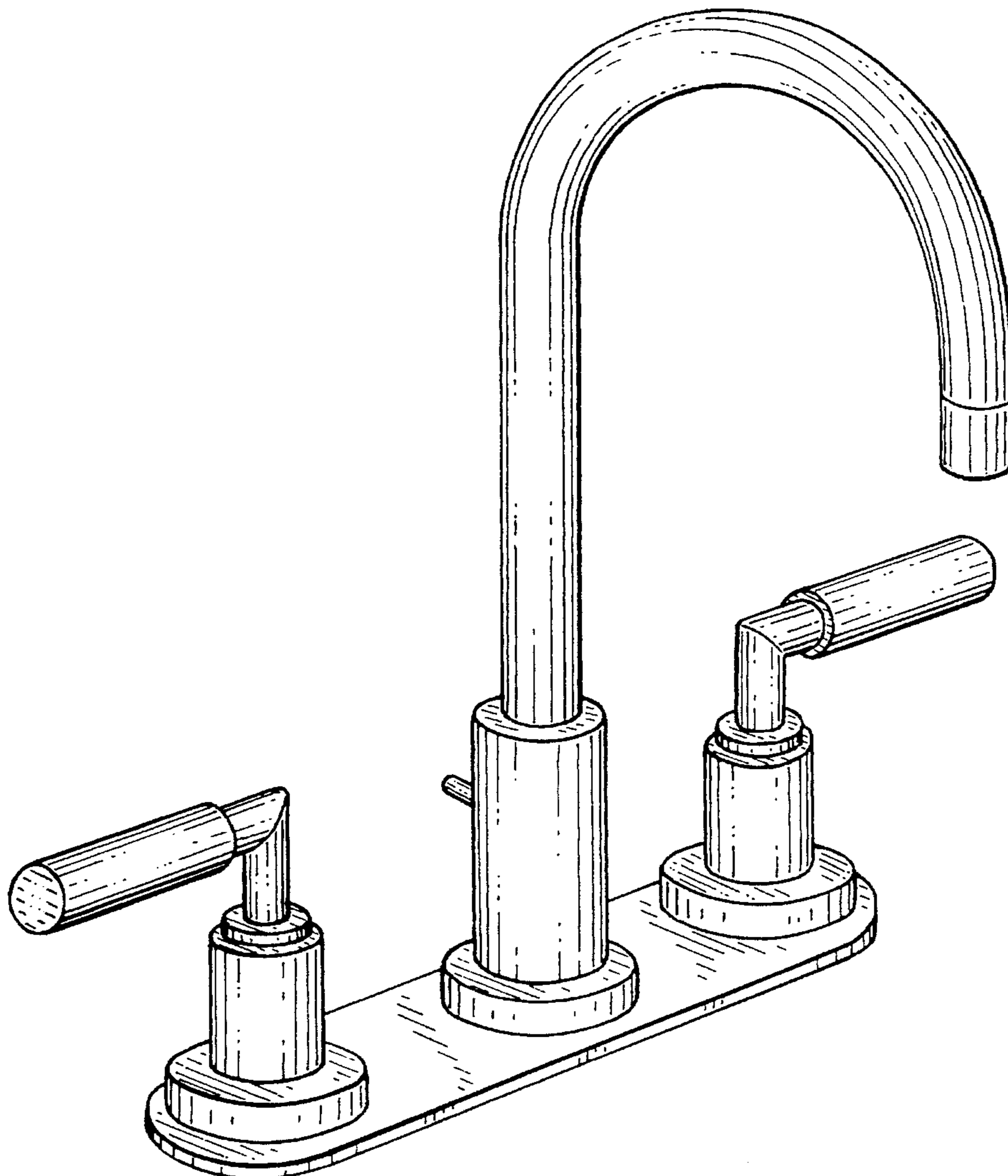


FIG. 1

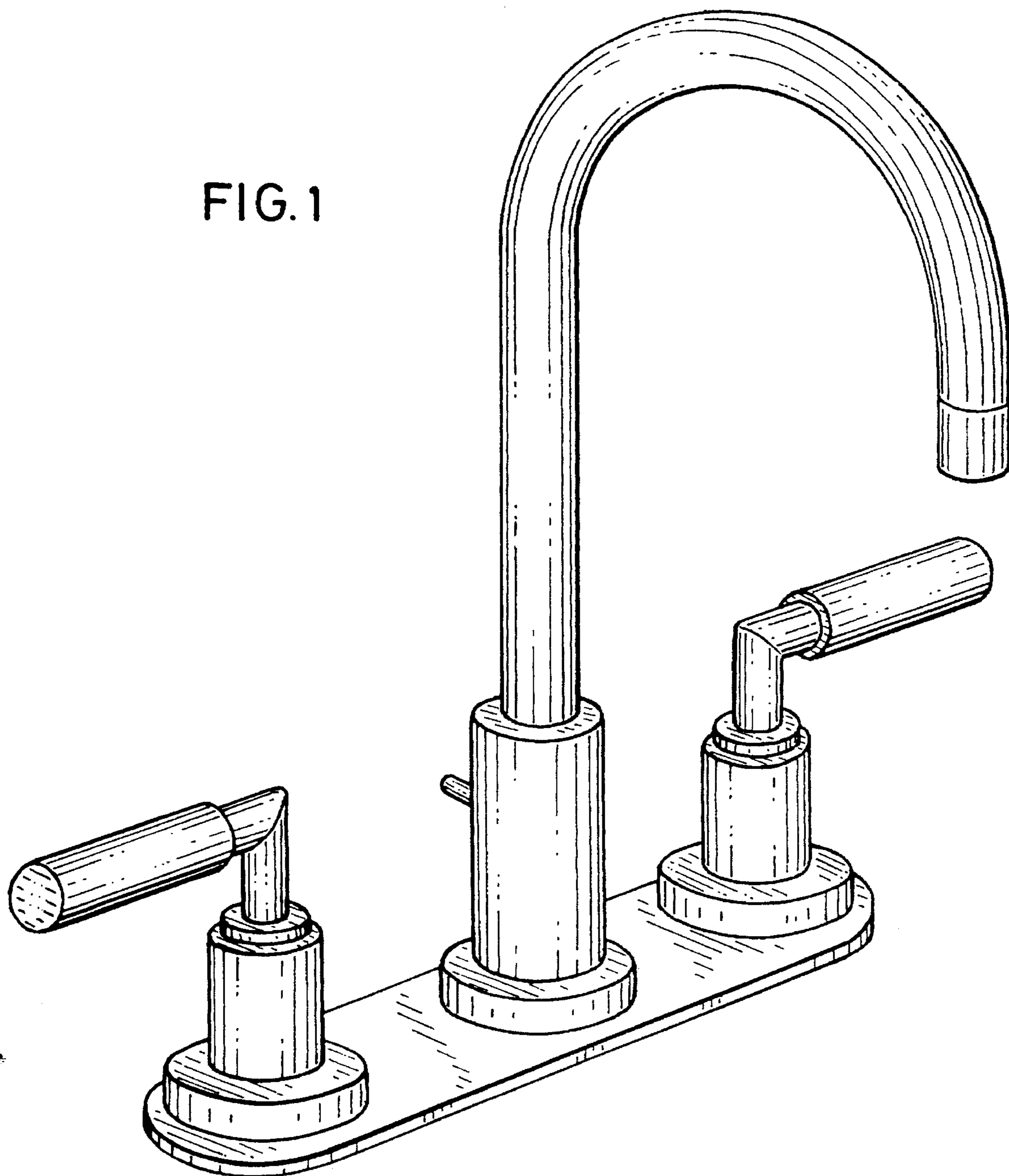


FIG. 2

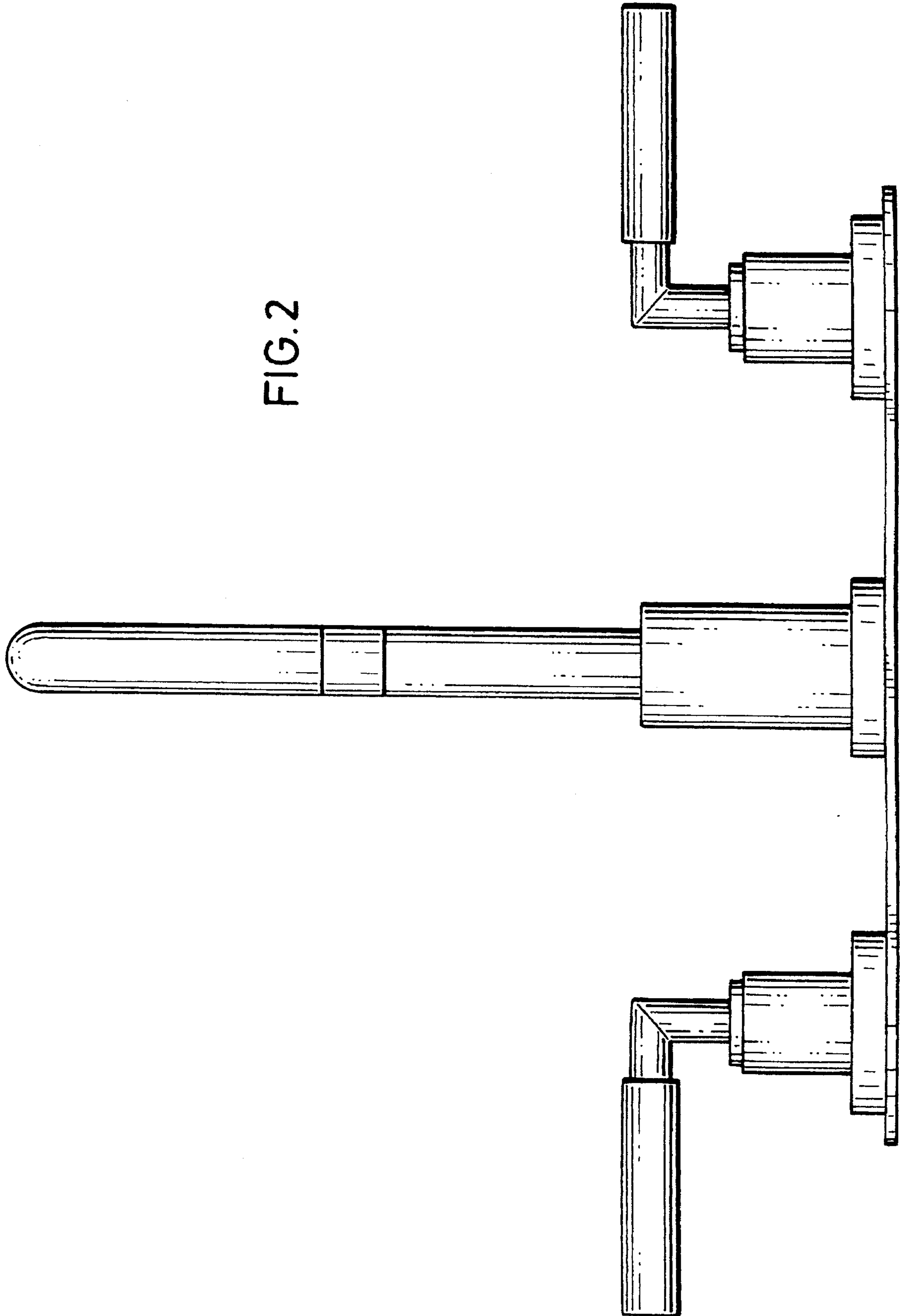
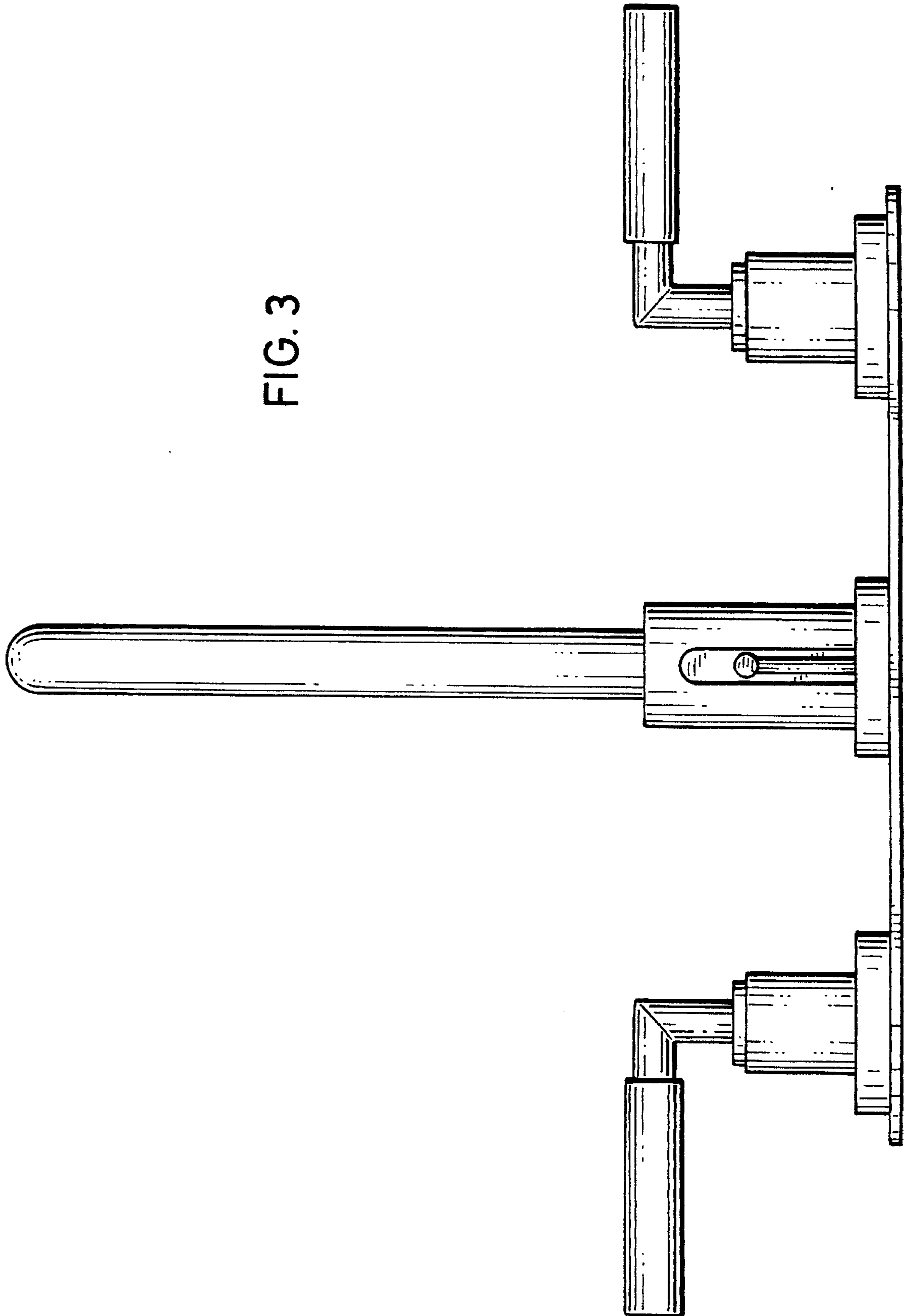


FIG. 3



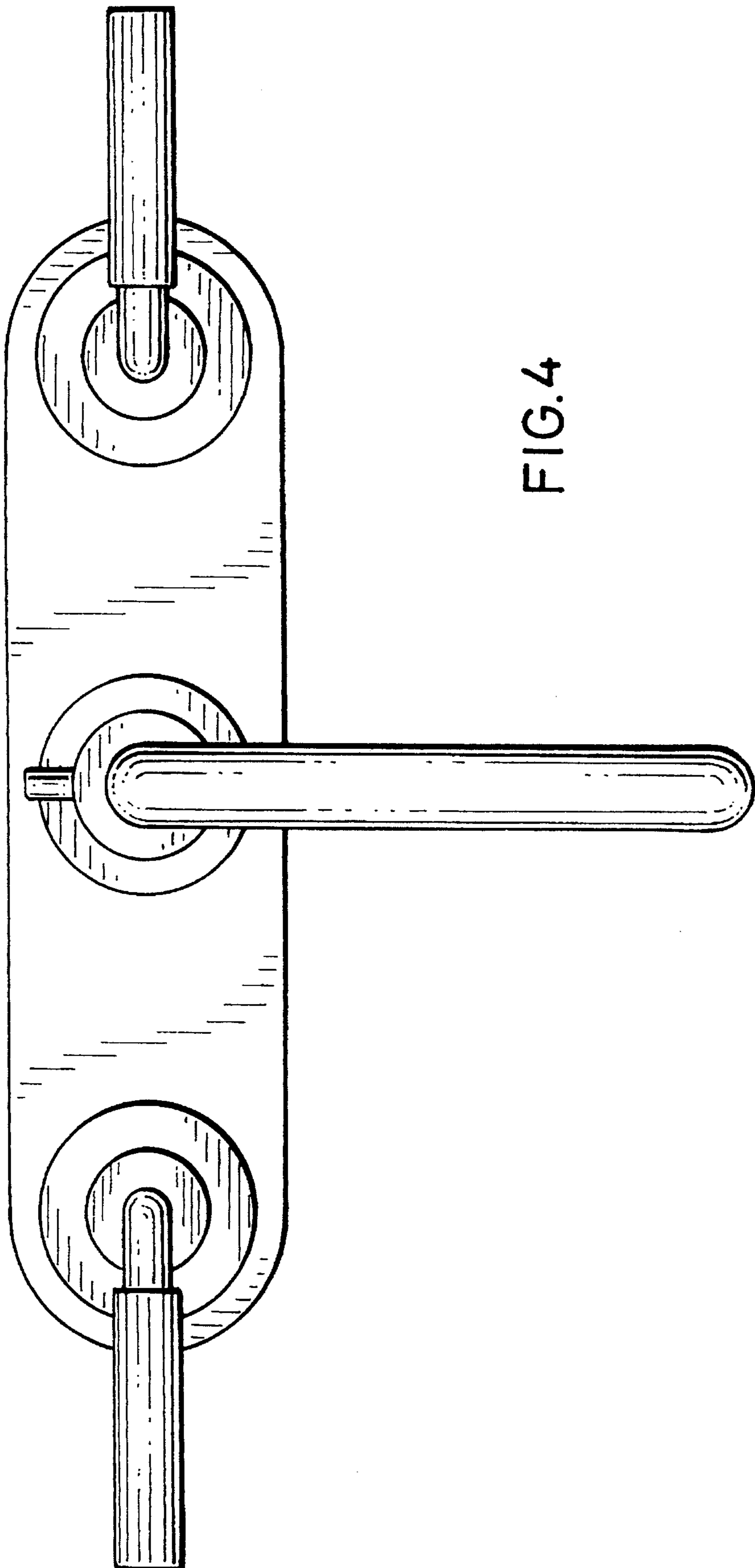


FIG. 4

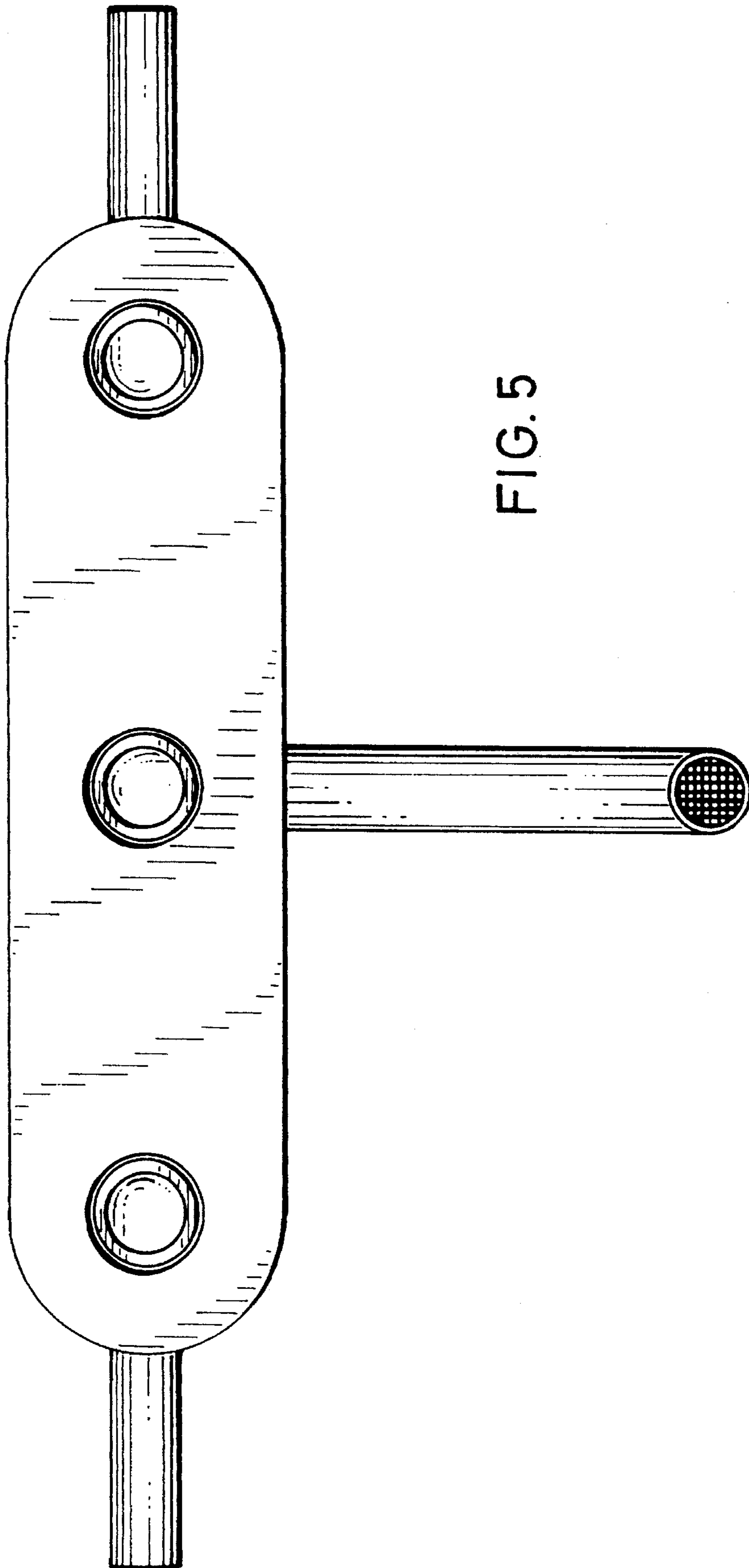


FIG. 5



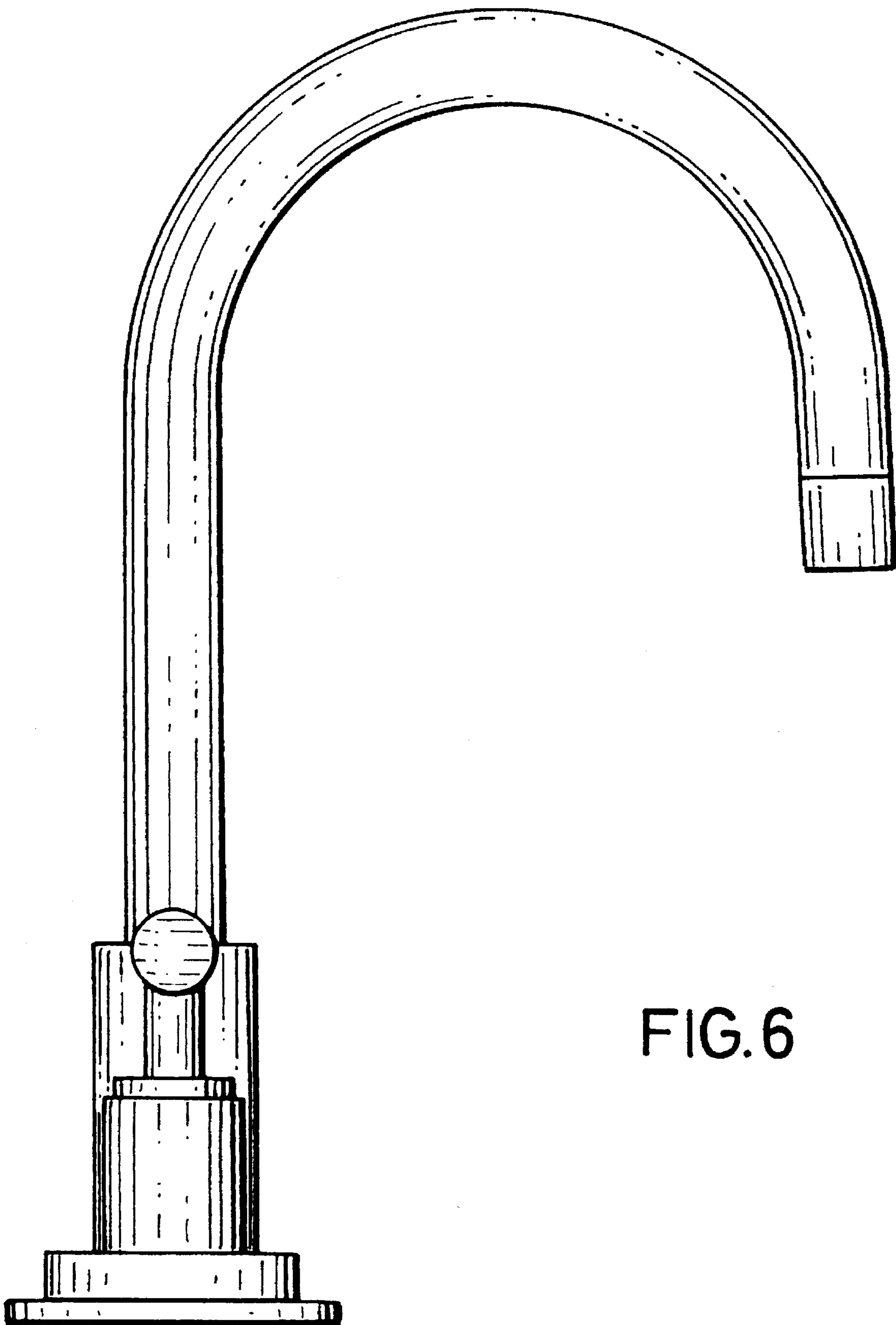


FIG. 6