



US00D373178S

United States Patent [19]
Gottwald

[11] **Patent Number: Des. 373,178**

[45] **Date of Patent: **Aug. 27, 1996**

[54] **BIDET FAUCET**

[75] **Inventor: Adolf Gottwald, Iserlohn, Germany**

[73] **Assignee: Friedrich Grohe Aktiengesellschaft, Hemer, Germany**

[**] **Term: 14 Years**

[21] **Appl. No.: 43,372**

[22] **Filed: Aug. 25, 1995**

[30] **Foreign Application Priority Data**

Feb. 27, 1995 [DE] Germany M9501629.5

[52] **U.S. Cl. D23/238**

[58] **Field of Search D23/238-243, D23/250-257; 4/623, 675-678; 137/801**

[56] **References Cited**

U.S. PATENT DOCUMENTS

D. 253,607 12/1979 Houg D23/238

D. 291,232 8/1987 Houg et al. D23/238

D. 324,904 3/1992 Houg et al. D23/238

D. 350,388 9/1994 Gottwald D23/238

D. 353,650 12/1994 Houg et al. D23/238

Primary Examiner—Stella Reid

Assistant Examiner—Eric Watterson

Attorney, Agent, or Firm—Herbert Dubno

[57] **CLAIM**

The ornamental design for a bidet faucet, as shown and described.

DESCRIPTION

FIG. 1 is a top, front, left-side perspective view of a bidet faucet showing my new design;

FIG. 2 is a top view thereof;

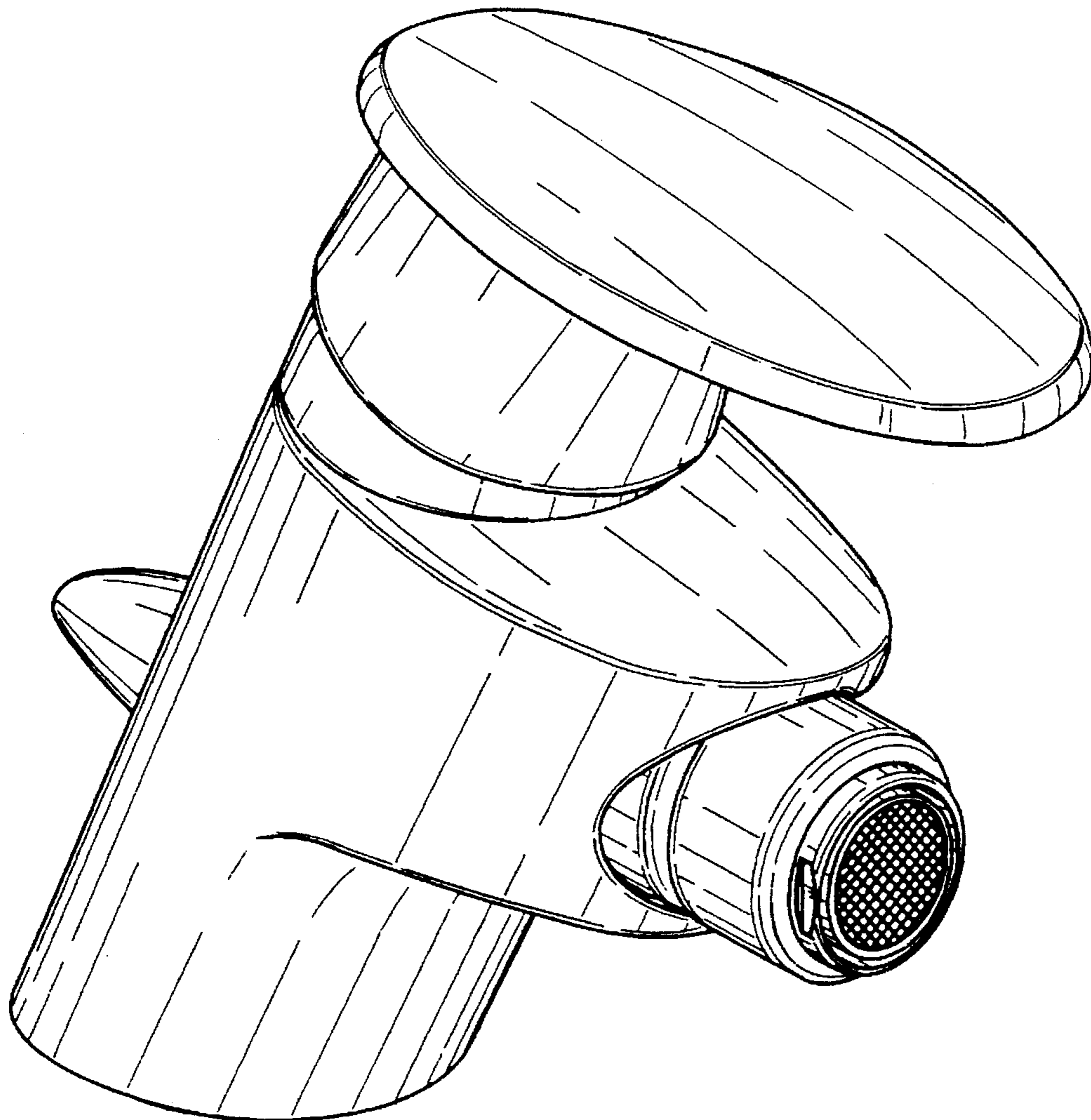
FIG. 3 is a left side elevational view, the right side being a mirror image thereof;

FIG. 4 is a bottom view thereof;

FIG. 5 is a rear view thereof; and,

FIG. 6 is a front view thereof.

1 Claim, 3 Drawing Sheets



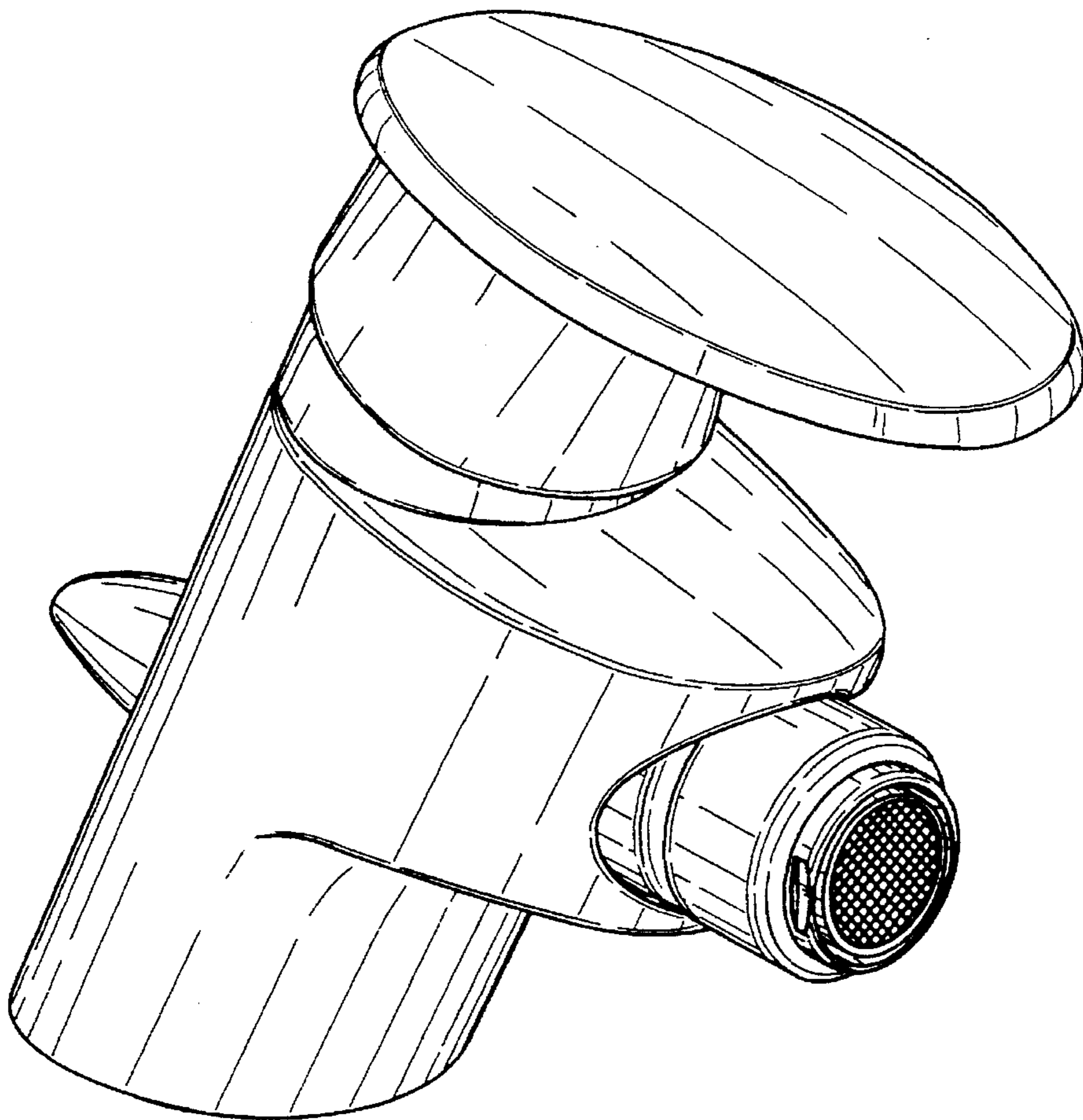


FIG. 1

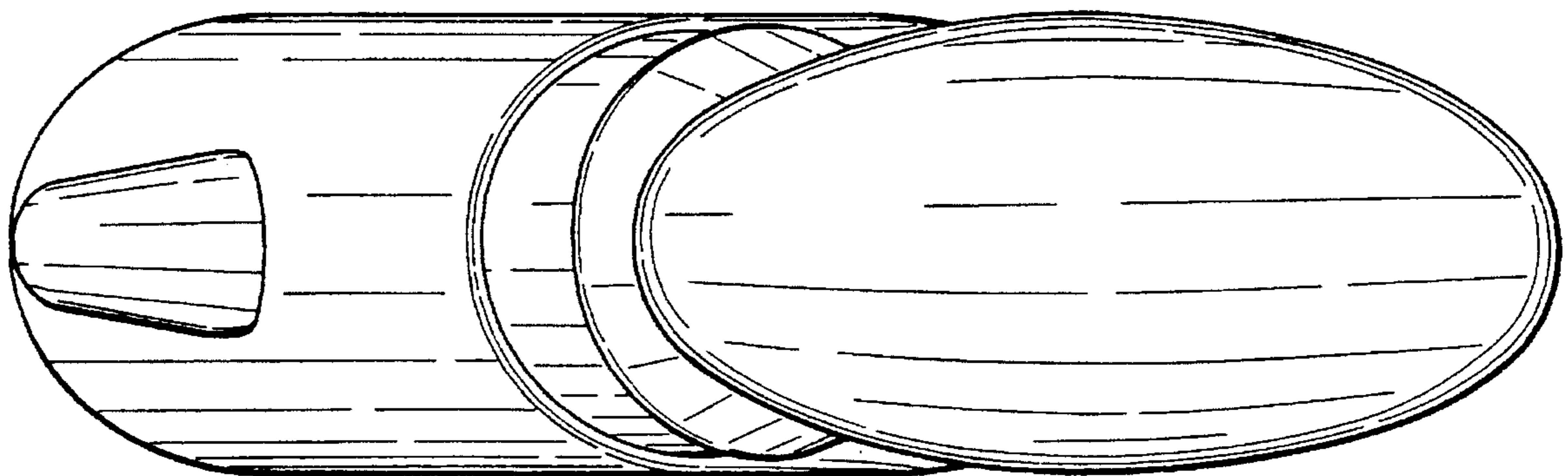


FIG. 2

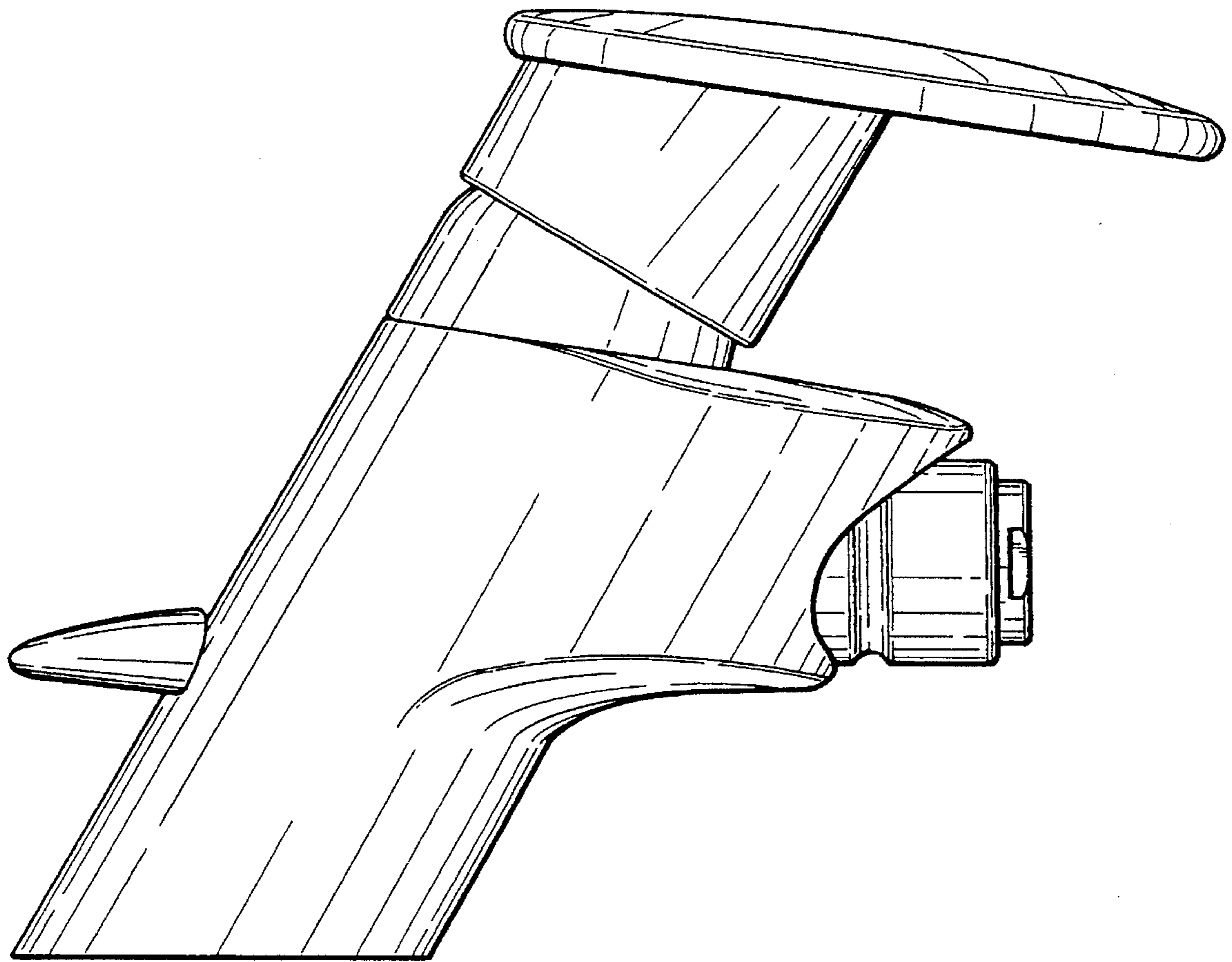


FIG. 3

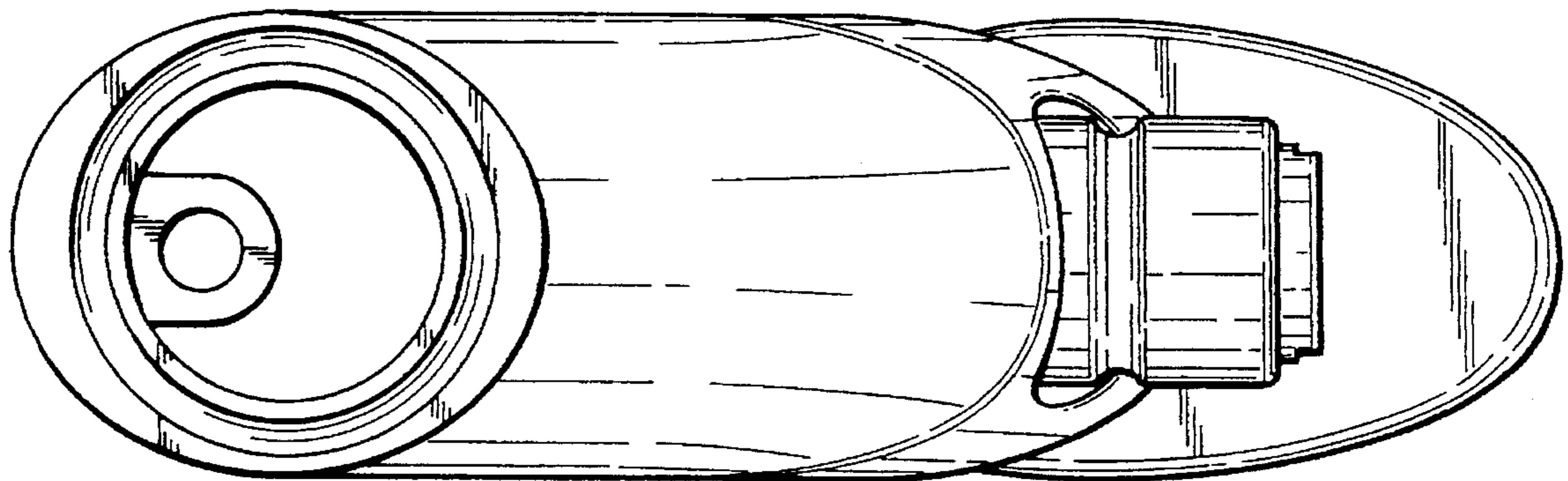


FIG. 4

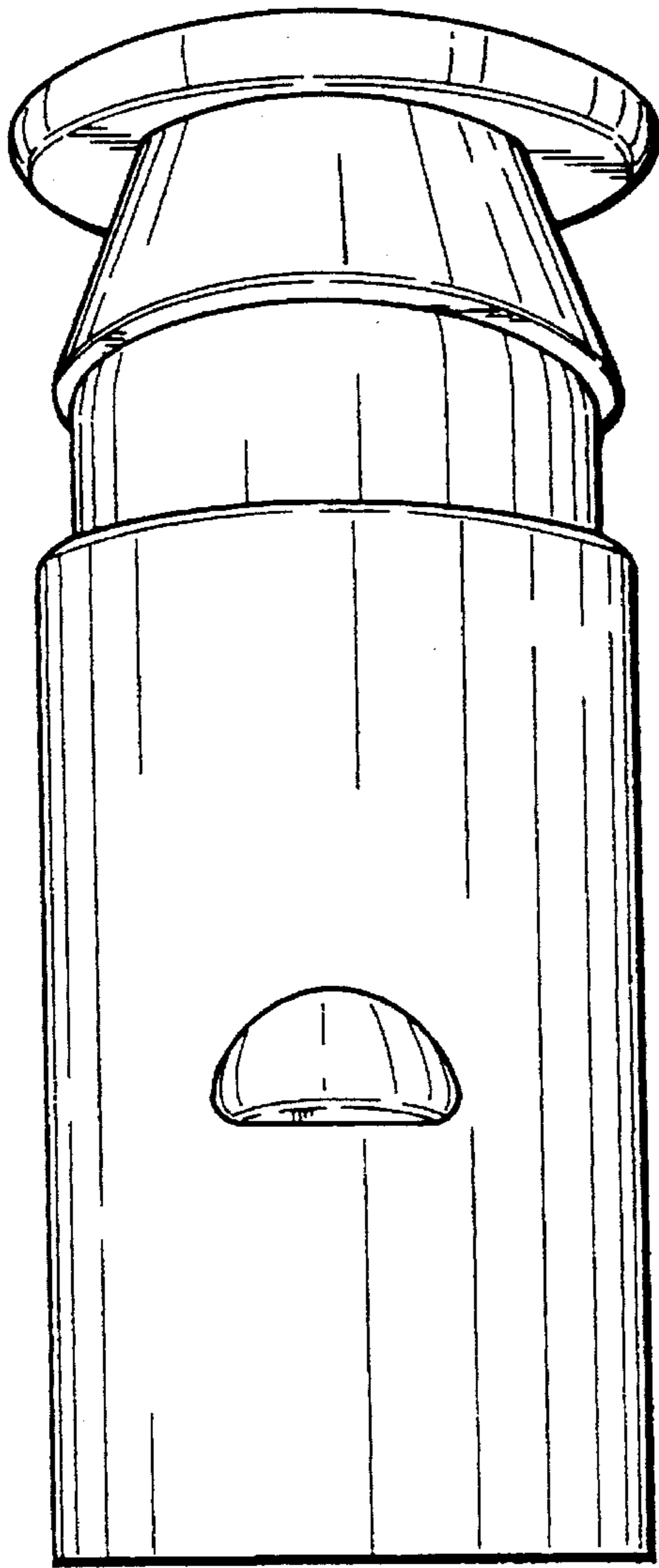


FIG. 5

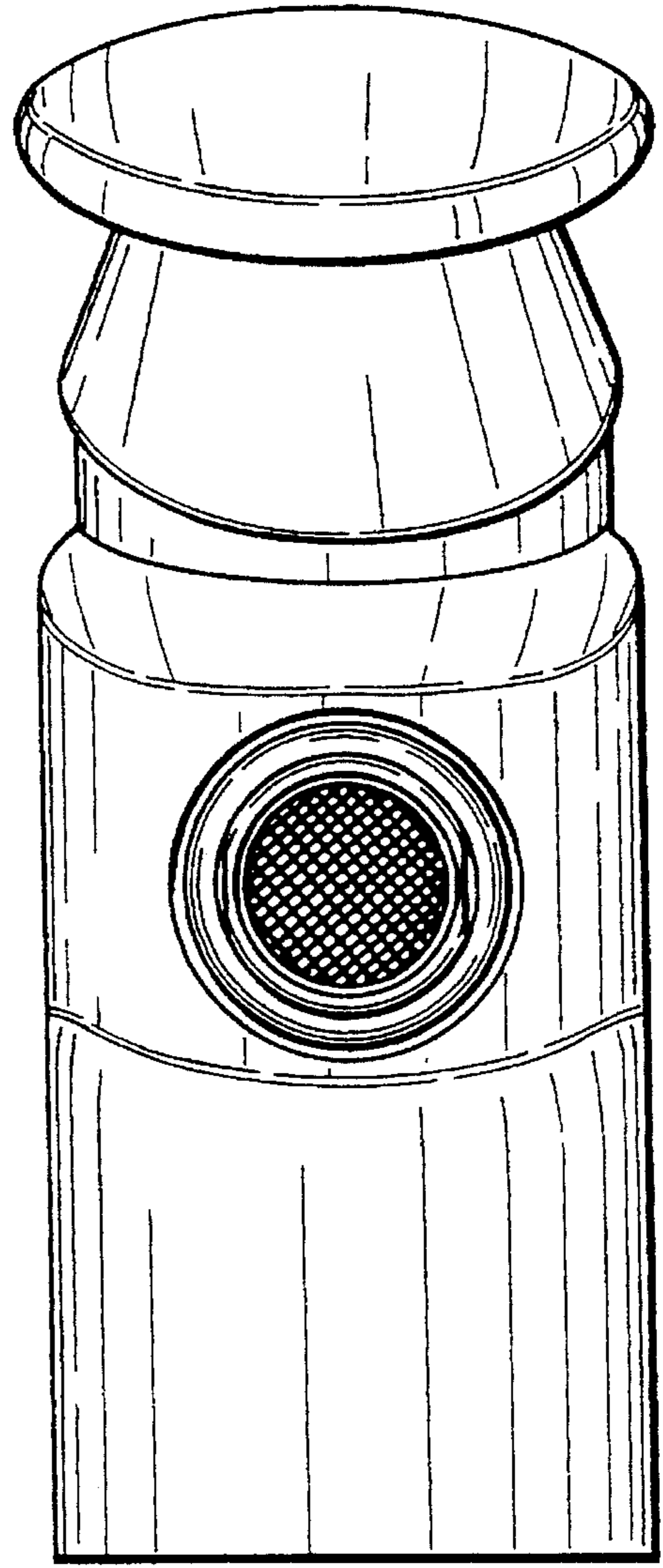


FIG. 6