



US00D373177S

United States Patent [19]

[11] Patent Number: **Des. 373,177**

Jans

[45] Date of Patent: ****Aug. 27, 1996**

[54] FAUCET

D. 355,955 2/1995 Chretien D23/238

[75] Inventor: **Franz W. Jans**, Roedermark, Germany

D. 359,112 6/1995 Mark et al. D23/238

D. 364,214 11/1995 Lobermeier D23/238

[73] Assignee: **Jado Bathroom and Hardware Manufacturing Corp.**, Camarillo, Calif.

Primary Examiner—Stella Reid
Assistant Examiner—Eric Watterson
Attorney, Agent, or Firm—H. Michael Brucker

[**] Term: **14 Years**

[57] **CLAIM**

The ornamental design for a faucet, as shown and described.

[21] Appl. No.: **41,644**

[22] Filed: **Jul. 20, 1995**

[52] U.S. Cl. **D23/238**

[58] Field of Search D23/238-243,
D23/250-257; 4/675-678; 137/807

DESCRIPTION

FIG. 1 is a front elevational view of a faucet showing my new design;

FIG. 2 is a left side elevational view thereof, the right side being a mirror image of the right side shown;

FIG. 3 is a rear elevational view thereof;

FIG. 4 is a top plan view thereof; and,

FIG. 5 is a bottom plan view thereof.

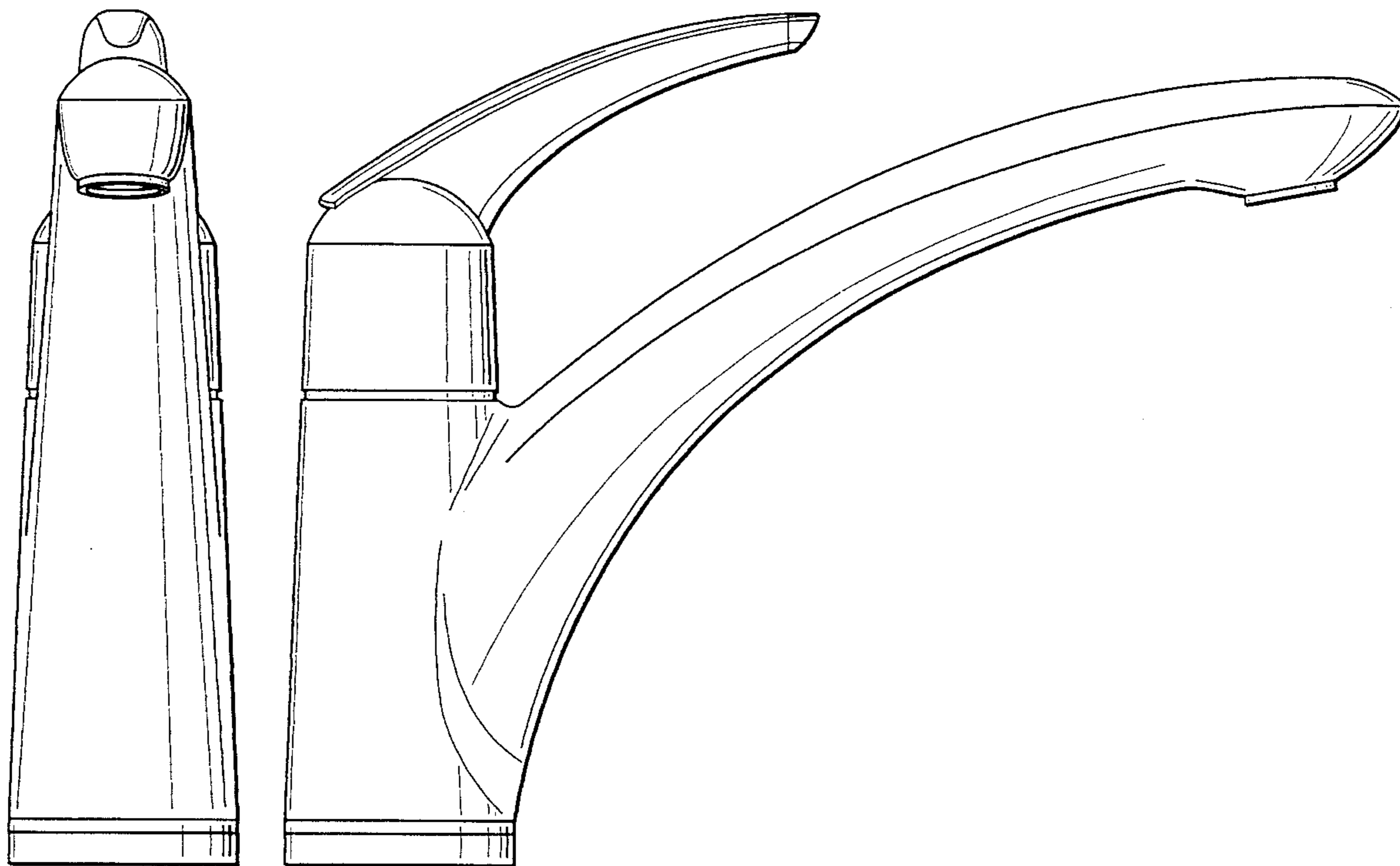
[56] References Cited

U.S. PATENT DOCUMENTS

D. 344,324 2/1994 Mottis D23/238

D. 355,706 2/1995 Chretien D23/238

1 Claim, 2 Drawing Sheets



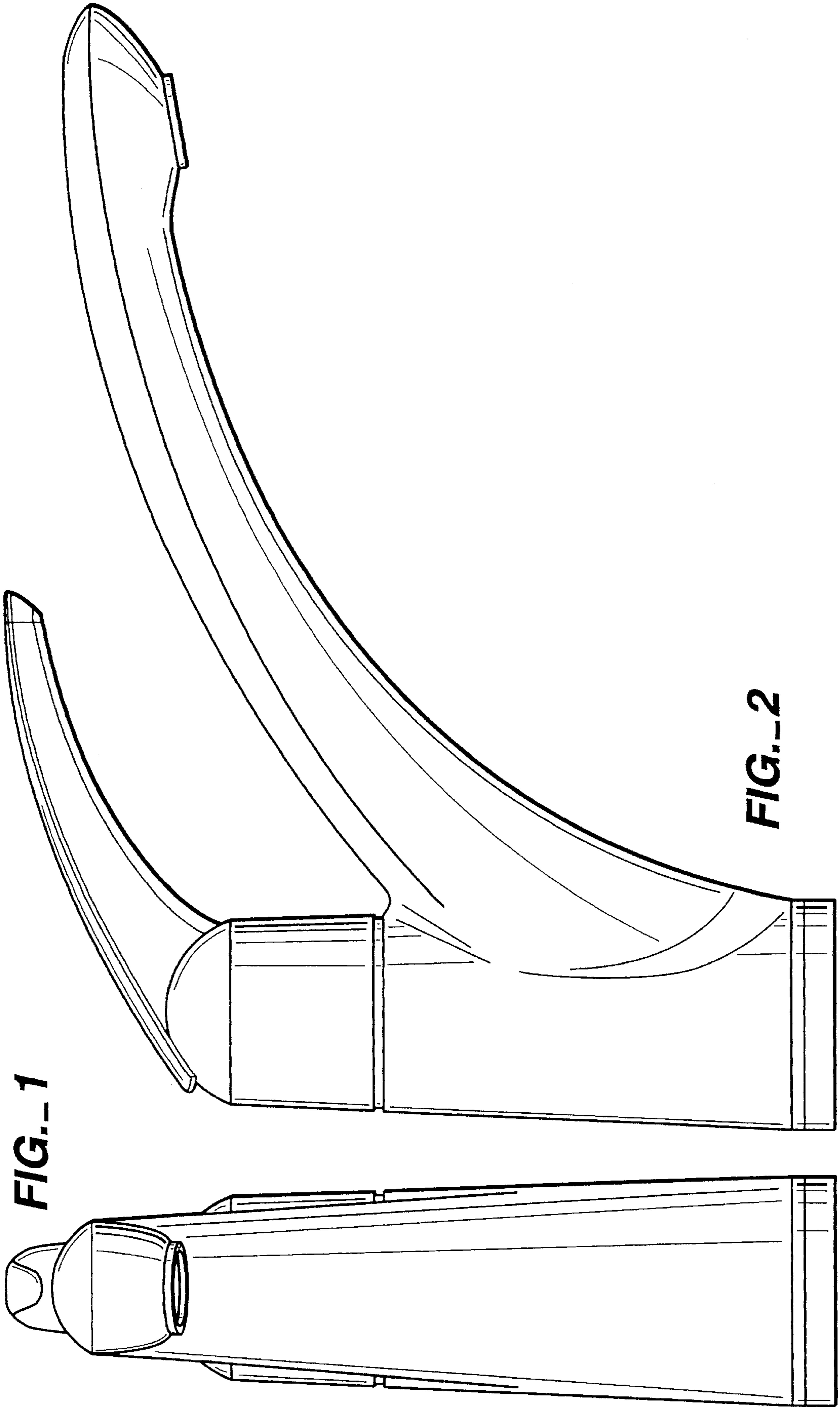


FIG.--1

FIG.--2

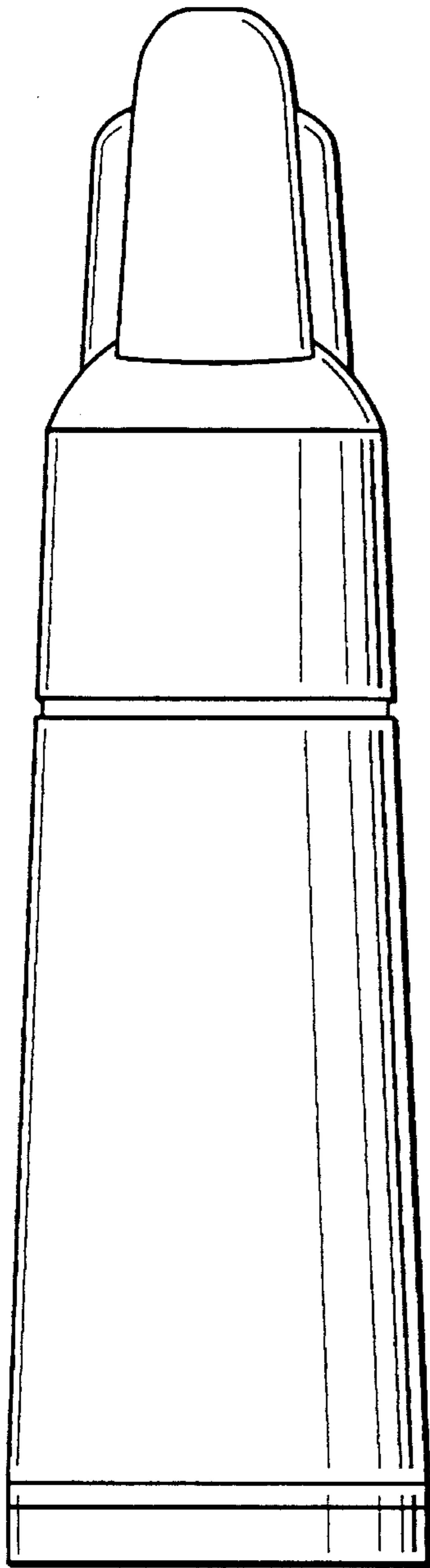


FIG._3

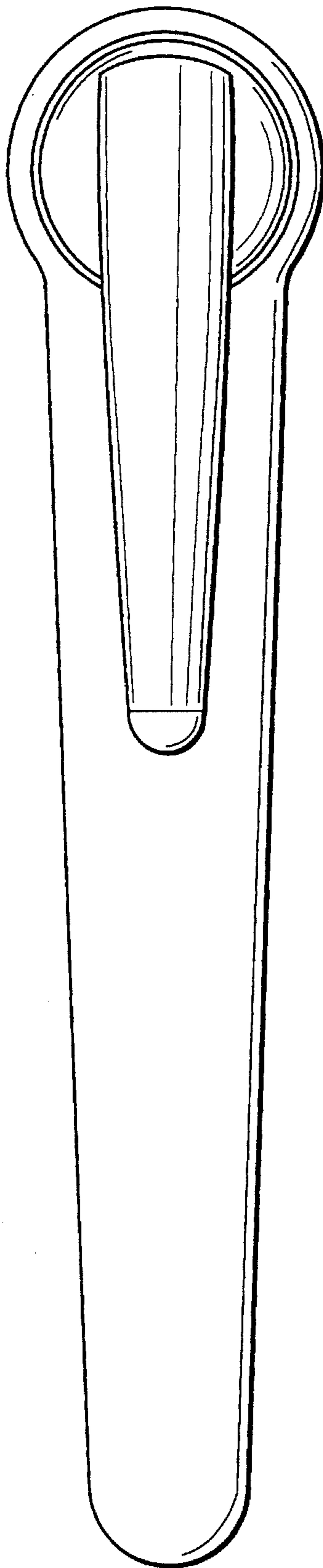


FIG._4

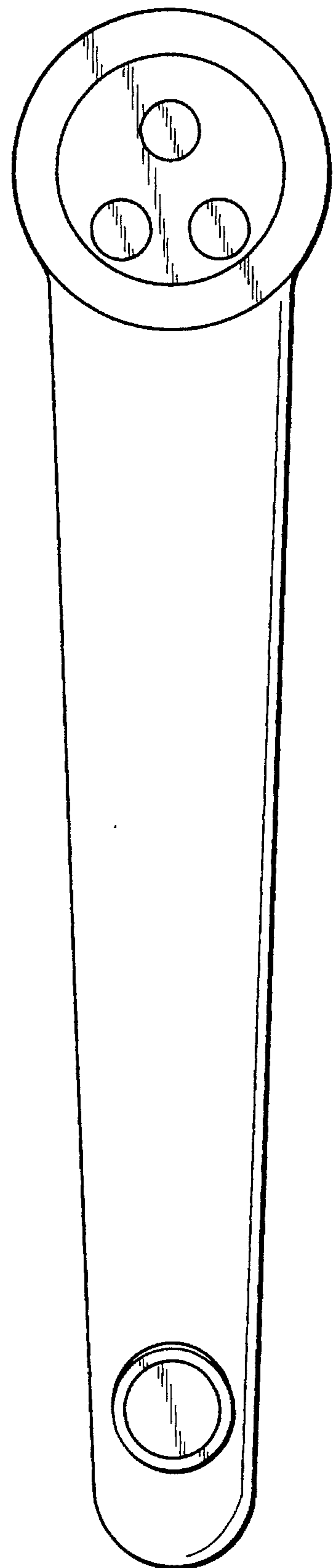


FIG._5