



US00D373172S

United States Patent [19]
Anderson et al.

[11] **Patent Number: Des. 373,172**
[45] **Date of Patent: **Aug. 27, 1996**

[54] **STAIN SPRAYER**

D. 284,885 7/1986 Nakamura D23/225

[75] Inventors: **Steven A. Anderson**, Eden Prairie;
Paul A. Piloni, Minneapolis; **Richard C. Schoenert**, Hopkins, all of Minn.

OTHER PUBLICATIONS

Power Sprayer p. 87, Hardware Age 1987.

[73] Assignee: **Wagner Spray Tech Corporation**,
Minneapolis, Minn.

Primary Examiner—A. Hugo Word
Assistant Examiner—Robin J. Taylor
Attorney, Agent, or Firm—Faegre & Benson LLP

[**] Term: **14 Years**

[57] **CLAIM**

[21] Appl. No.: **41,526**

The ornamental design for a stain sprayer, as shown and described.

[22] Filed: **Aug. 2, 1995**

DESCRIPTION

[52] **U.S. Cl.** **D23/225**

[58] **Field of Search** D23/213, 223-230;
239/302, 310, 315-317, 373, 332-3

FIG. 1 is a perspective view of the stain sprayer of the present invention;
FIG. 2 is a top plan view of the stain sprayer;
FIG. 3 is a side elevation view of the stain sprayer, the other side being a mirror image;
FIG. 4 is a bottom plan view of the stain sprayer;
FIG. 5 is a first end elevation view of the stain sprayer; and,
FIG. 6 is a second end elevation view of the stain sprayer.

[56] **References Cited**

U.S. PATENT DOCUMENTS

D. 212,350	10/1968	Kelly	D23/224
D. 236,830	9/1975	Bochmann	D23/225
D. 271,613	11/1983	Watkins	D23/225
D. 272,380	1/1984	Poon	D23/225

1 Claim, 3 Drawing Sheets

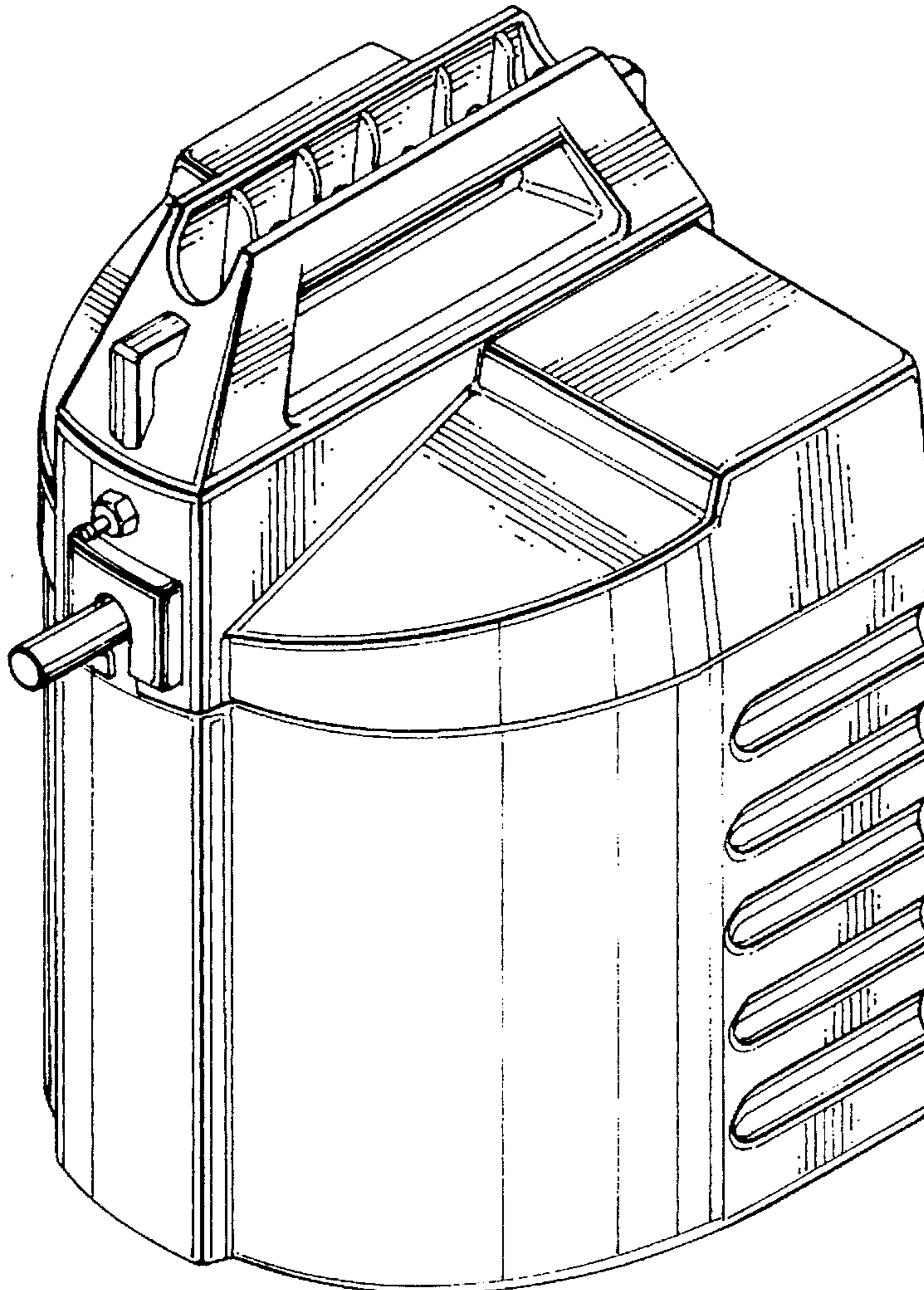


Fig. 1

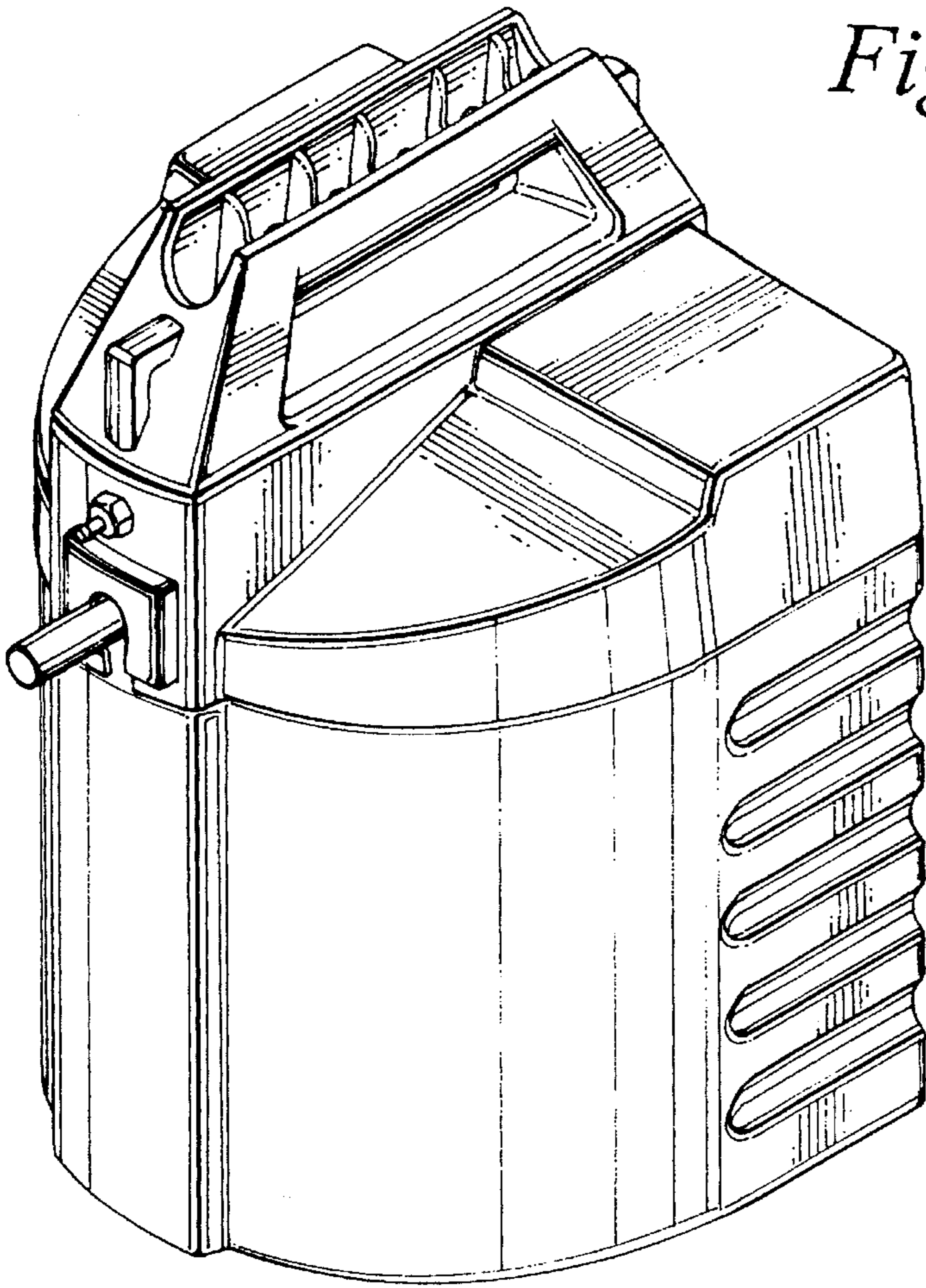


Fig. 2

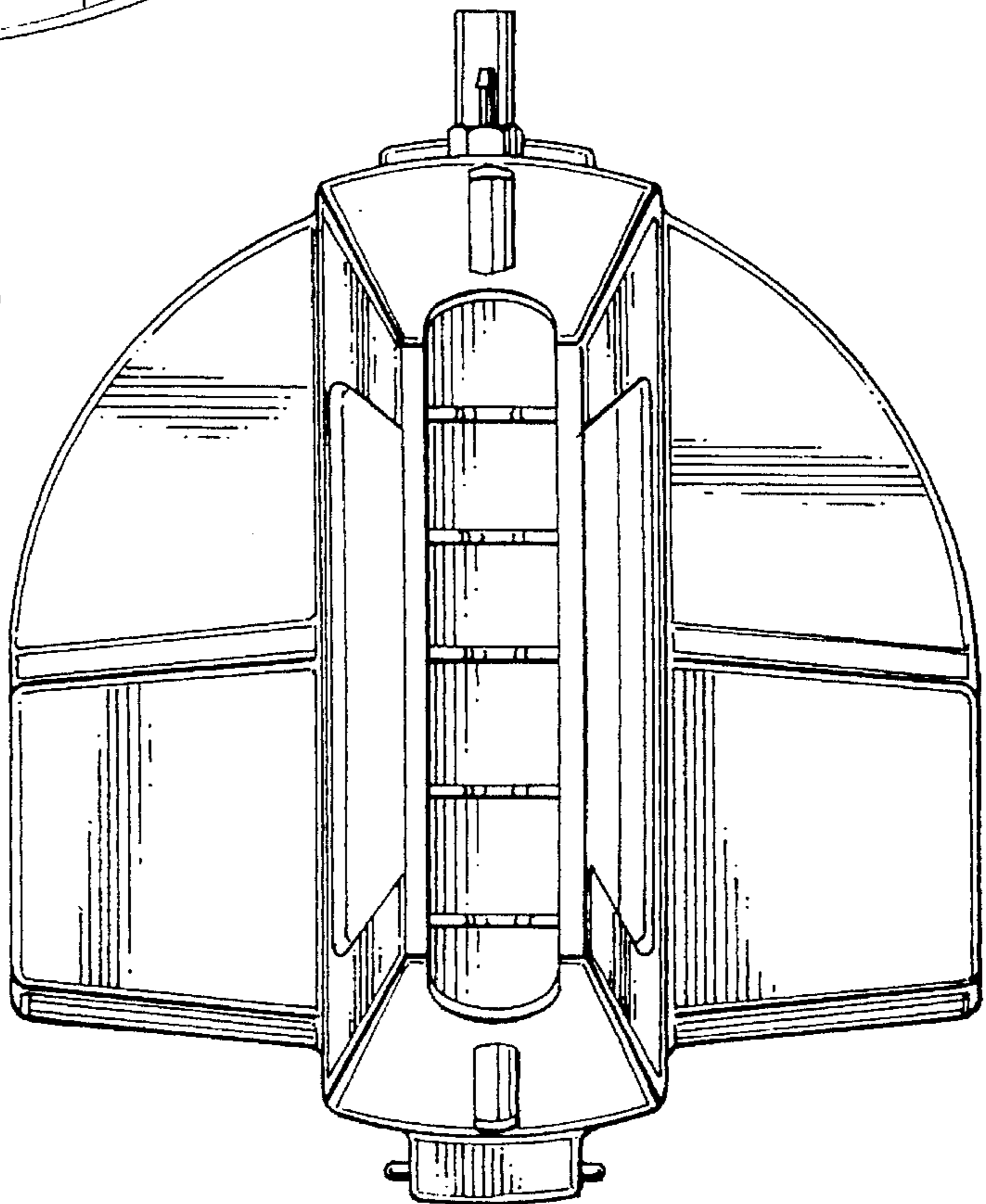


Fig. 3

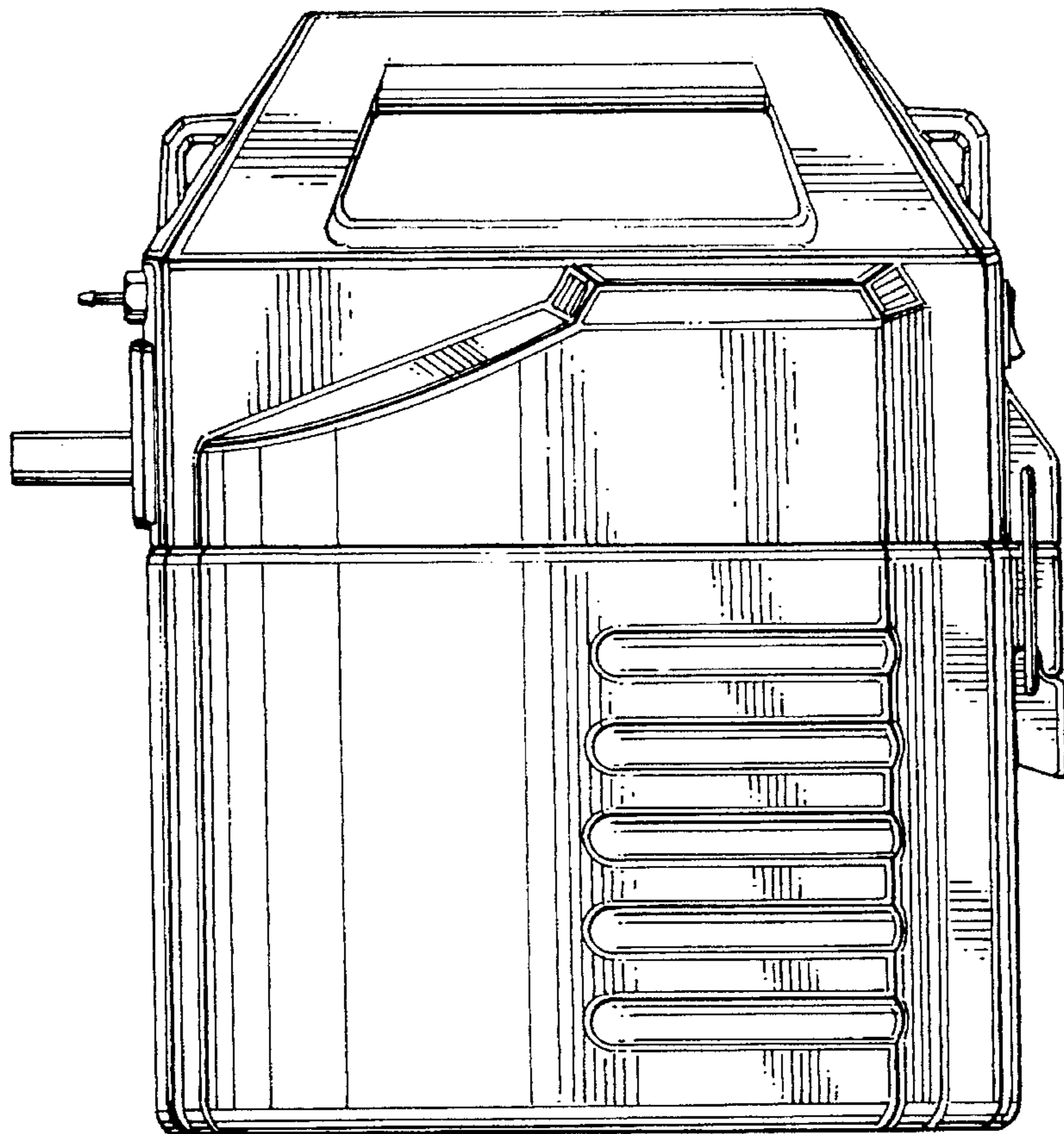
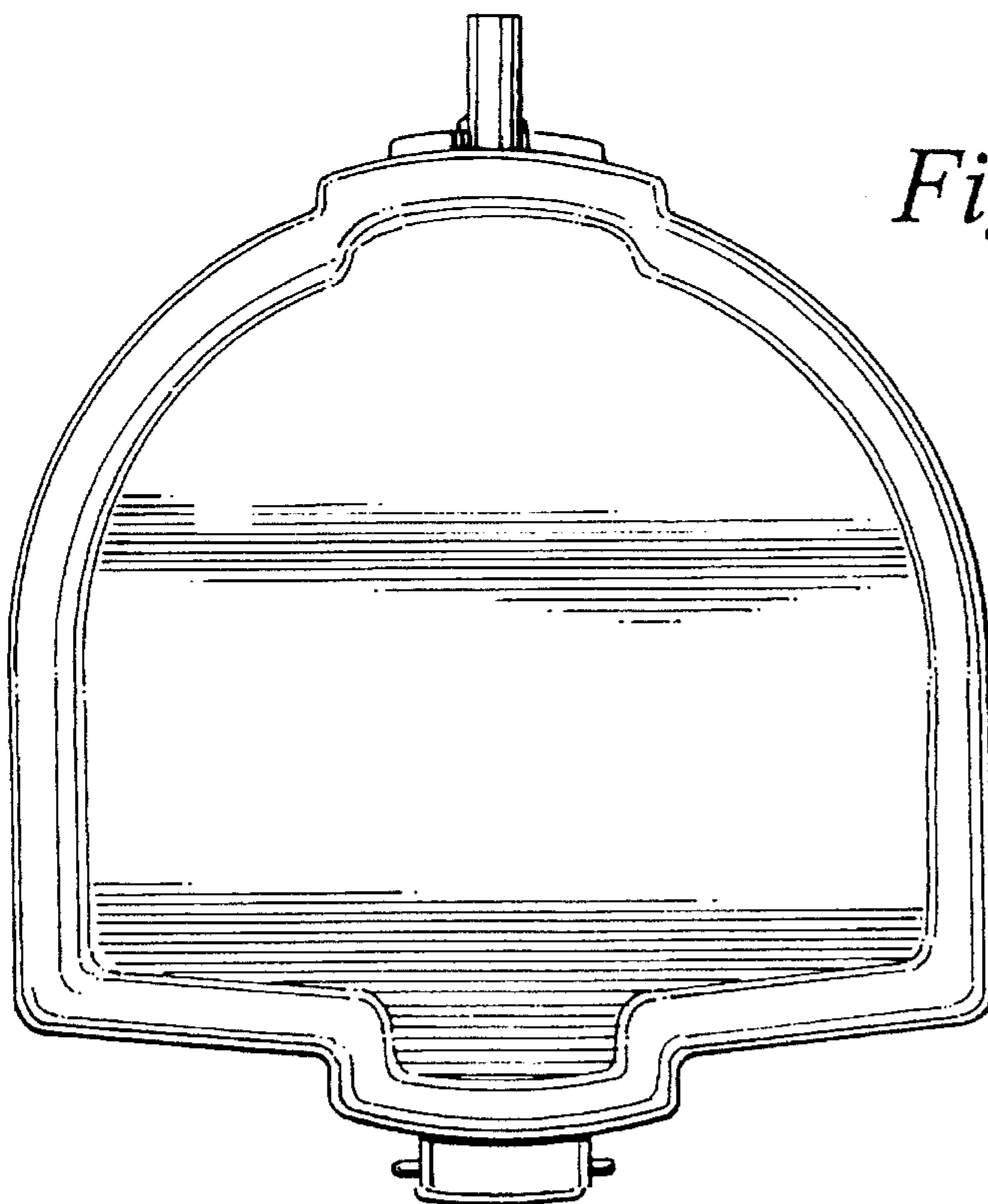


Fig. 4



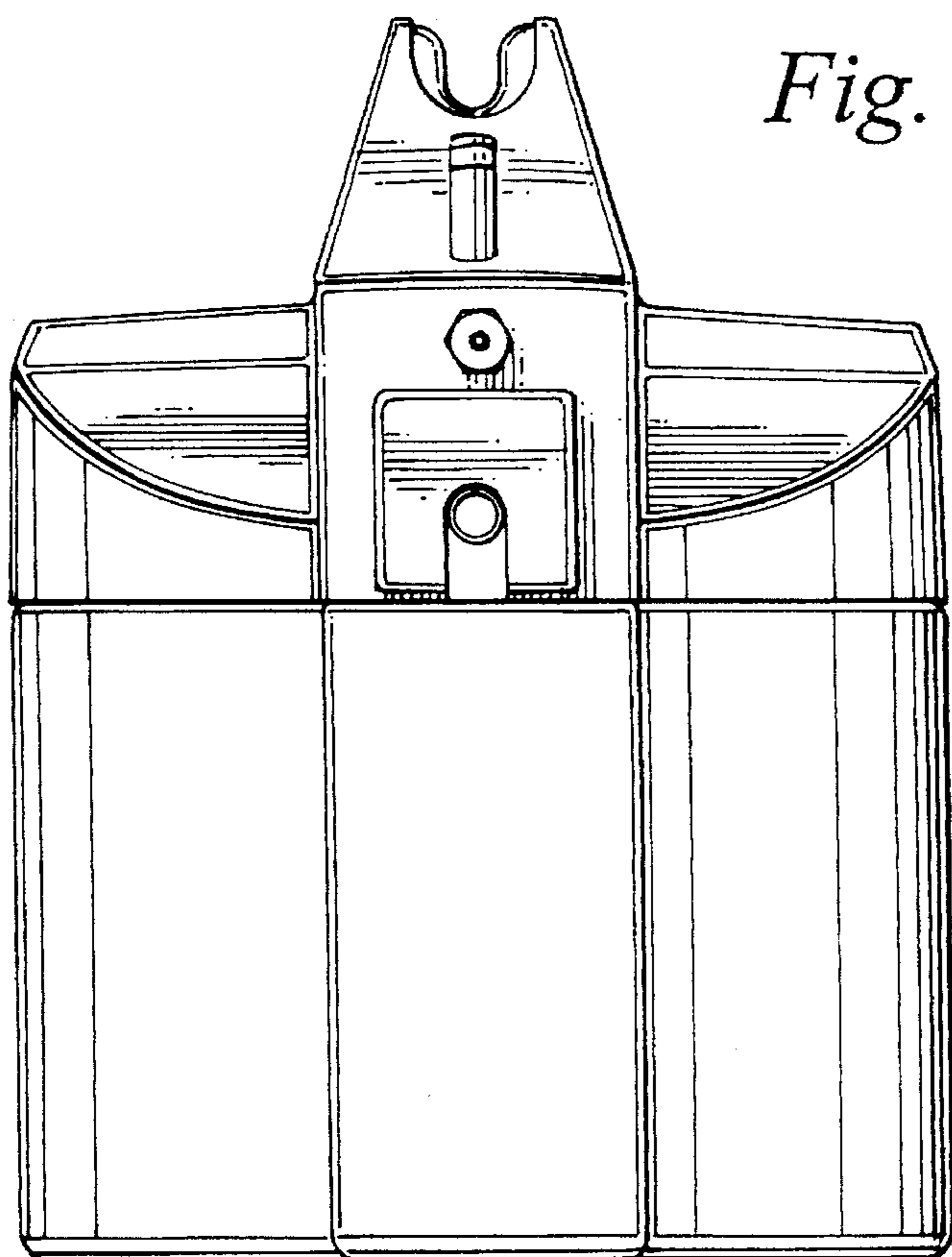


Fig. 5

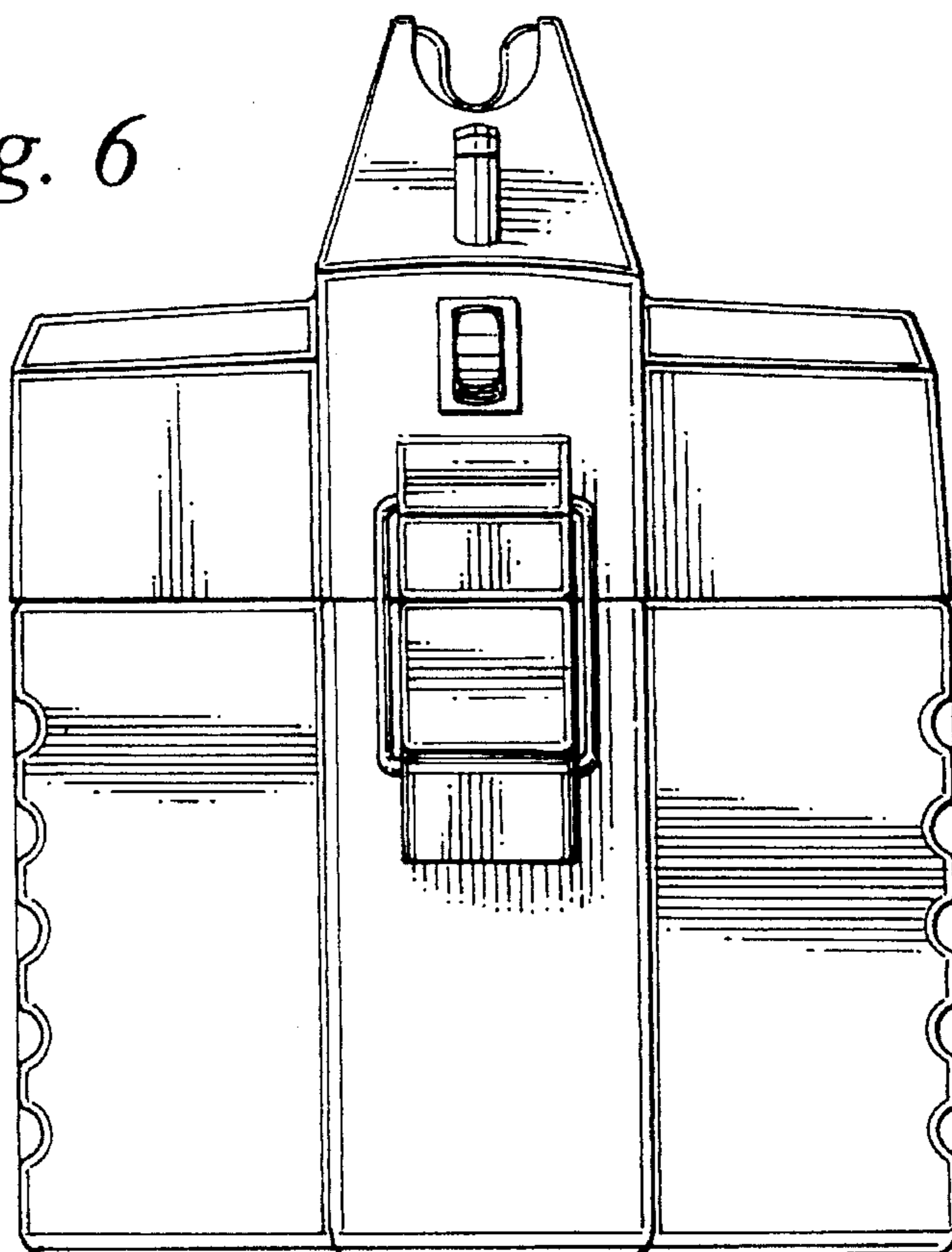


Fig. 6