



US00D373169S

United States Patent [19]

[11] Patent Number: **Des. 373,169**

Kokko

[45] Date of Patent: ****Aug. 27, 1996**

[54] **GIMBAL ASSEMBLY FOR ARCHERY SIGHT YAW CALIBRATION**

[76] Inventor: **Kenneth E. Kokko**, 5347 Misty Meadow Way, Elk Grove, Calif. 95758

[**] Term: **14 Years**

[21] Appl. No.: **37,444**

[22] Filed: **Apr. 12, 1995**

[52] U.S. Cl. **D22/107**; D22/100; D22/199

[58] Field of Search D22/107, 109, D22/110, 199; 33/233, 245, 250, 257, 265, 248; 42/7, 100, 101, 102; 89/1.703, 1.816, 34; 124/1, 23.1, 87

[56] **References Cited**

U.S. PATENT DOCUMENTS

D. 346,198	4/1994	Herringshaw	D22/110
2,401,825	6/1946	Gruver	33/250
2,438,601	3/1948	Davis	33/257
2,629,176	2/1953	Ivy	33/248
2,645,855	7/1953	Ivy	33/248
2,782,509	2/1957	Ivy	33/248
3,579,839	5/1971	Kowalski	33/265
3,822,479	7/1974	Kowalski	33/265
3,911,607	10/1975	Luebke	42/100
4,020,560	5/1977	Heck	33/265

Primary Examiner—Louis S. Zarfes
Assistant Examiner—M. Hannon
Attorney, Agent, or Firm—Bradley P. Heisler

[57] **CLAIM**

The ornamental design for a gimbal assembly for archery sight yaw calibration, as shown and described.

DESCRIPTION

FIG. 1 is a perspective view of a gimbal assembly for

archery sight yaw calibration showing my new design;

FIG. 2 is a front elevation view thereof, it being understood that the invention exhibits a similar appearance from the rear;

FIG. 3 is a top plan view thereof;

FIG. 4 is a bottom plan view thereof;

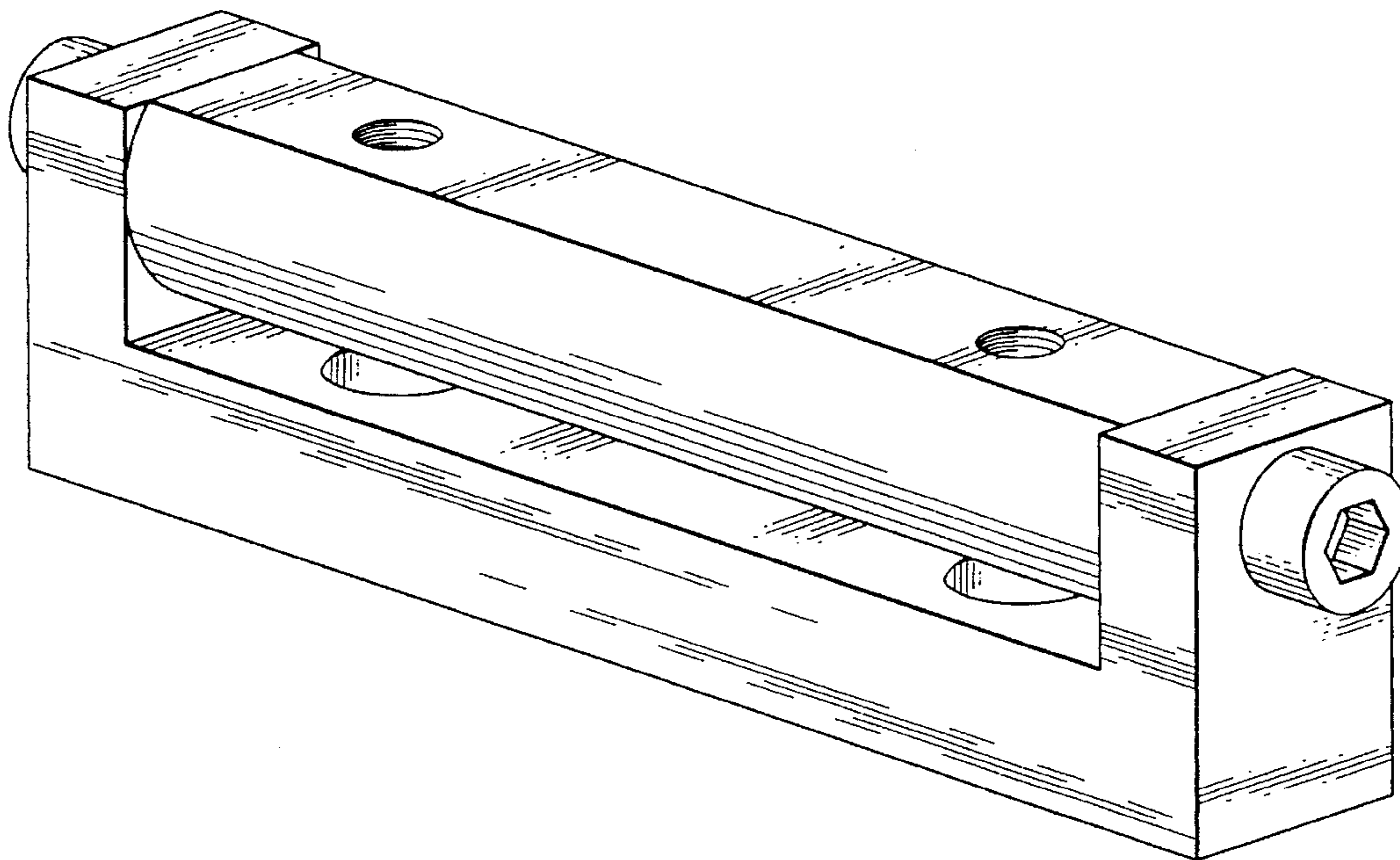
FIG. 5 is a left side view thereof, it being understood that the invention exhibits a similar appearance from the right side;

FIG. 6 is a full sectional view thereof taken along line 6—6 of FIG. 2, and clearly revealing details of the curved surfaces of the invention; and,

FIG. 7 is a perspective view of the invention oriented in position with other elements of an archery sight, it being understood that elements shown with broken lines are for illustrative purposes only and form no part of the claimed design.

A characteristic feature of the design resides in the truncated cylindrical portion of the design which has a flat face of a width identical to a width of an adjacent horizontal archery sight bar. Another characteristic feature of the design resides in the width of remaining portions of the invention being identical to a width of an adjacent vertical archery sight bar. The design of this invention transitions smoothly between the differing widths of adjacent portions of the archery sight in a unique ornamental fashion. These characteristic features of the design allow the invention to blend with adjacent portions of the archery sight without detracting from the overall appearance of the archery sight. In addition, the invention is anodized in a manner such that it exhibits a color similar to the colors of adjacent portions of the archery sight.

1 Claim, 2 Drawing Sheets



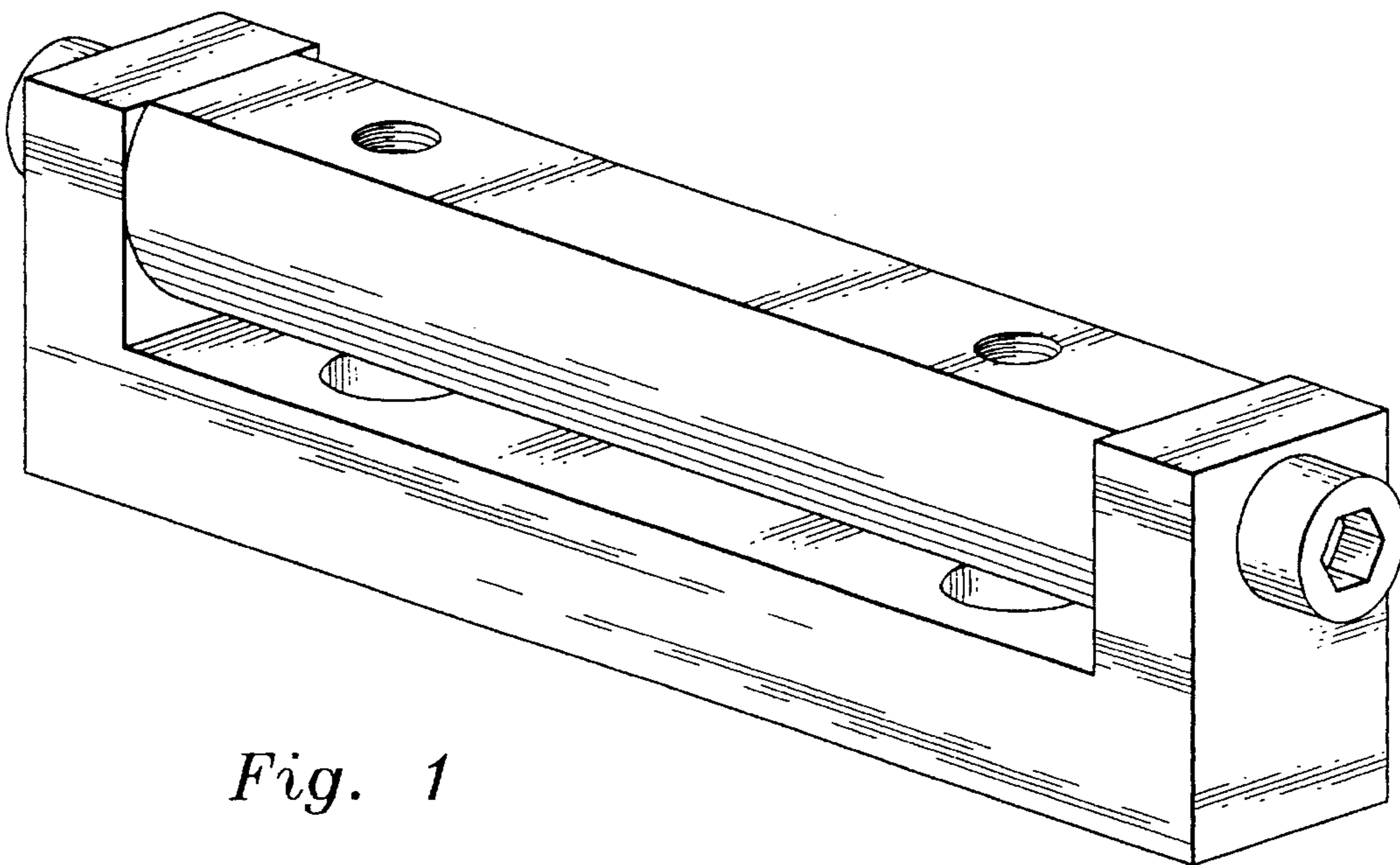


Fig. 1

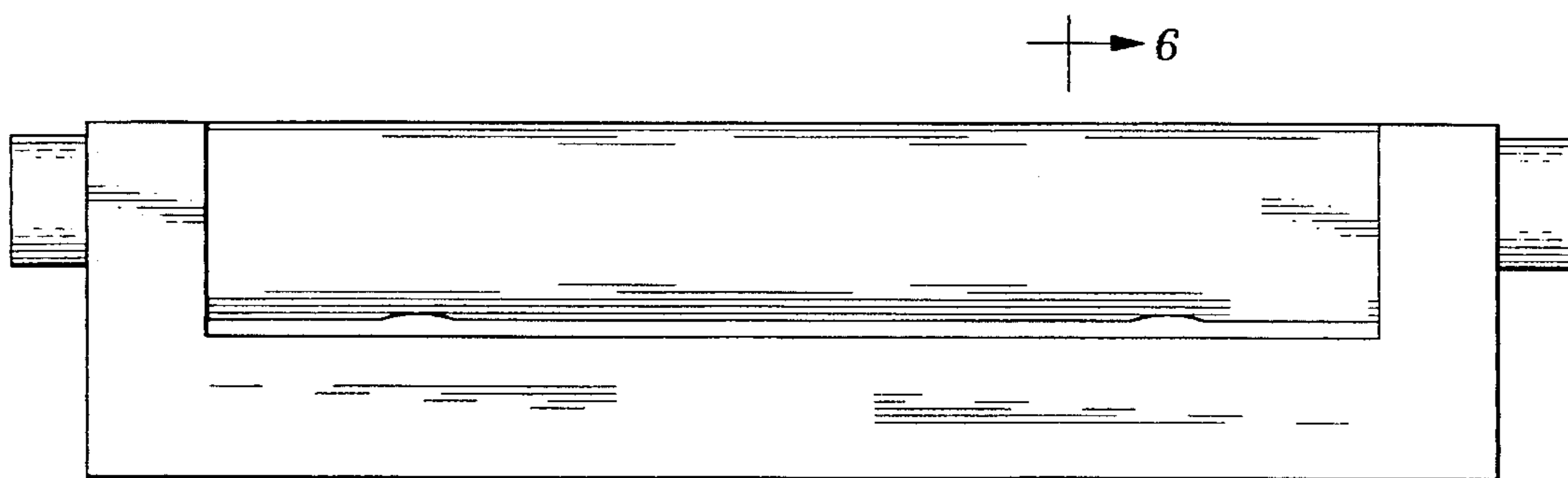


Fig. 2

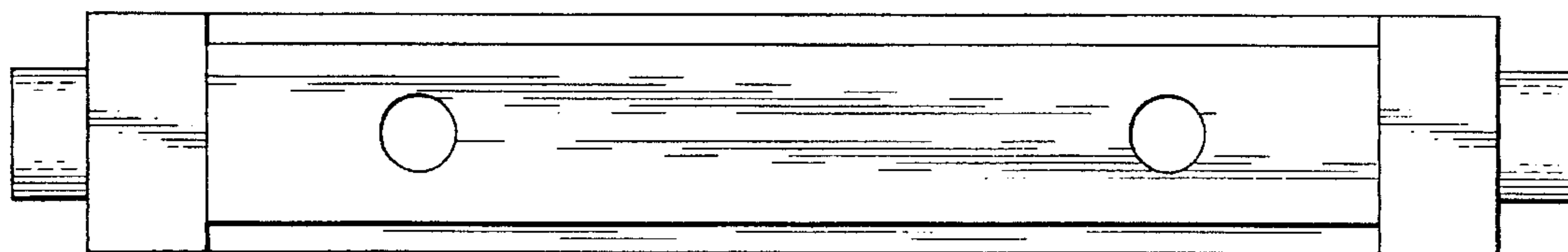


Fig. 3

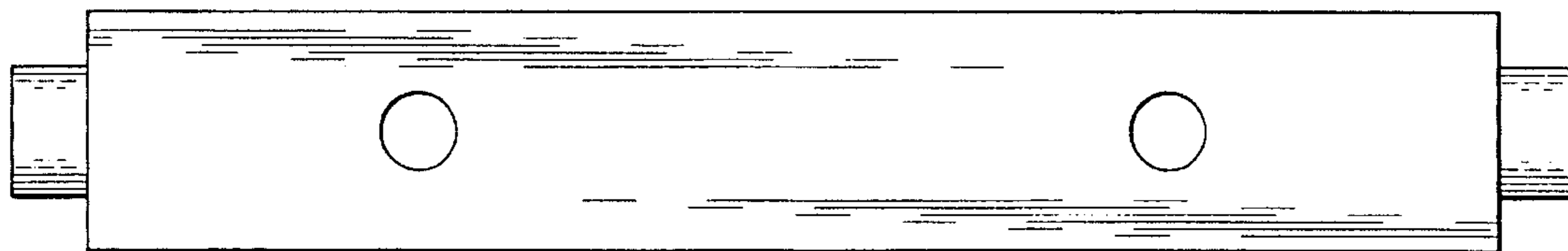


Fig. 4

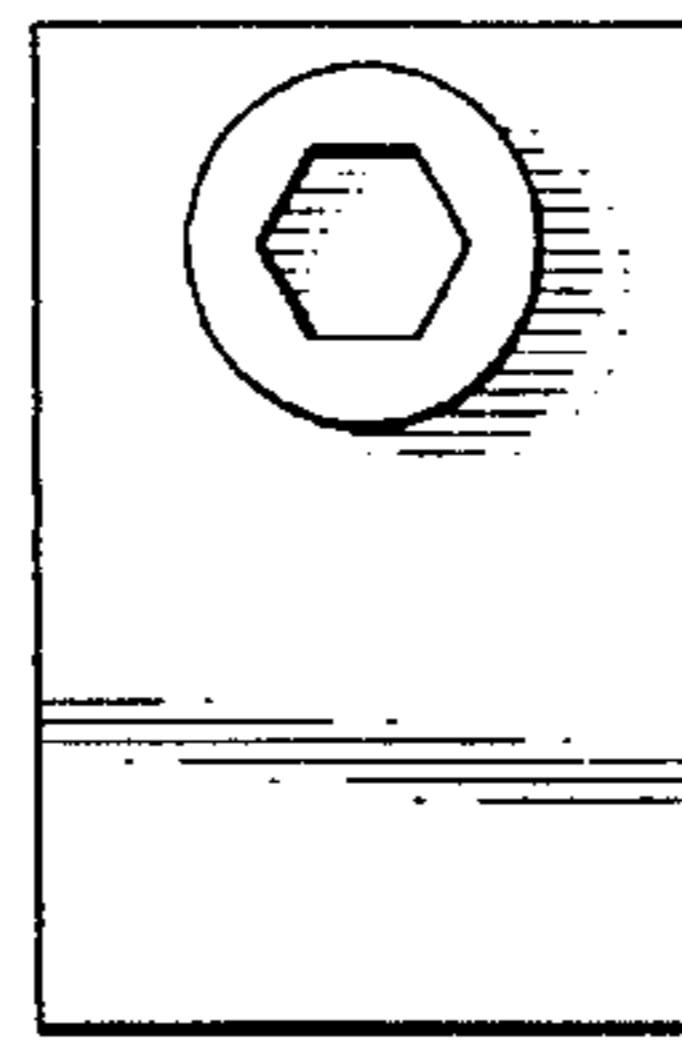


Fig. 5

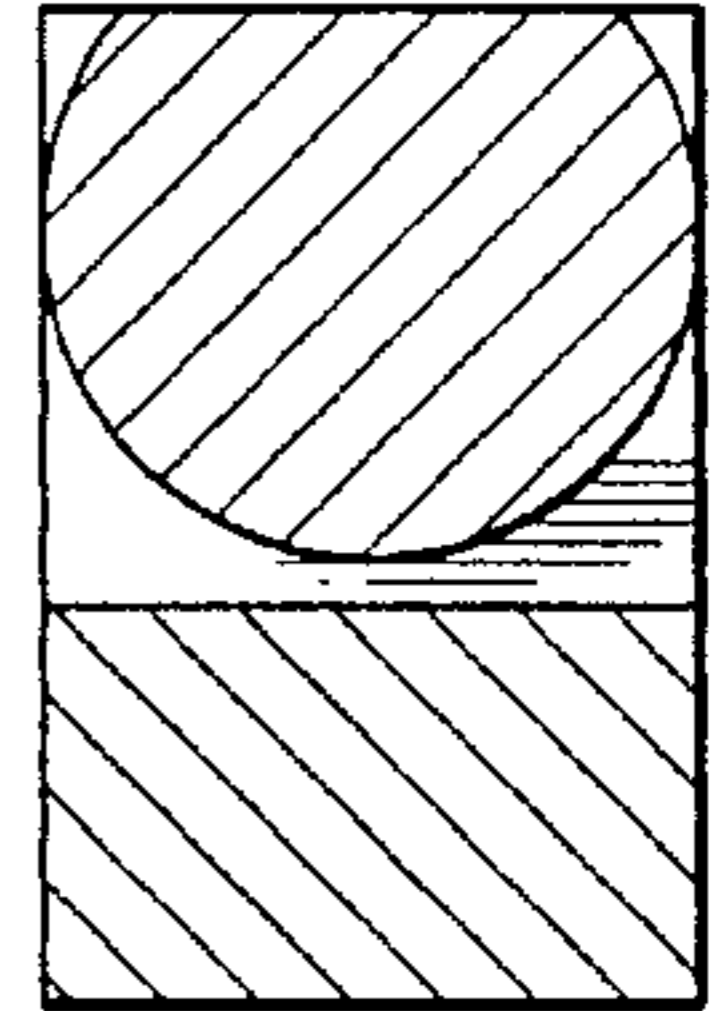


Fig. 6

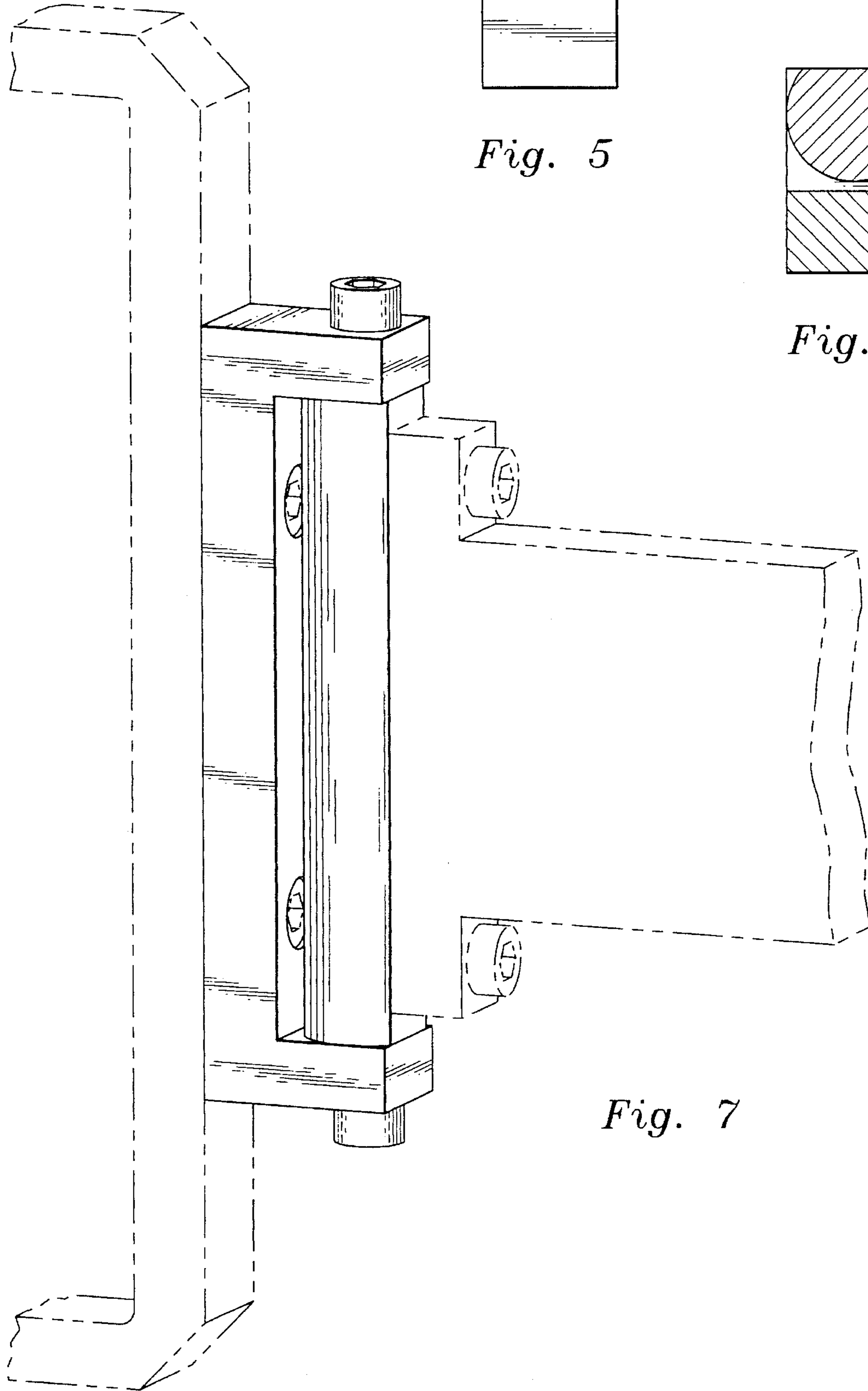


Fig. 7