



US00D373162S

United States Patent [19]

Meyer et al.

[11] Patent Number: **Des. 373,162**

[45] Date of Patent: ****Aug. 27, 1996**

[54] GOLF PUTTER HEAD

[76] Inventors: **Dean E. Meyer**, 1433 Forest Rd., LaGrange Park, Ill. 60525; **Jeffrey L. Vinyard**, 273 Wildwood Rd., Elk Grove, Ill. 60007

[**] Term: **14 Years**

[21] Appl. No.: **39,408**

[22] Filed: **May 30, 1995**

[52] U.S. Cl. **D21/219**

[58] Field of Search D21/217-219;
273/167A-K-175

[56] References Cited

U.S. PATENT DOCUMENTS

D. 349,543 9/1994 MacDougall D21/214
D. 360,922 9/1994 Grace D21/217

Primary Examiner—Ted Shooman
Assistant Examiner—Mitchell I. Siegel
Attorney, Agent, or Firm—Olson & Hierl, Ltd.

[57] CLAIM

The ornamental design for a golf putter head, as shown and described.

DESCRIPTION

FIG. 1 is a perspective view of the new design for a golf putter head;

FIG. 2 is a front elevational view of the golf putter head shown in FIG. 1;

FIG. 3 is a rear elevational view of the golf putter head shown in FIG. 1;

FIG. 4 is a top plan view of the golf putter head shown in FIG. 1;

FIG. 5 is a right end elevational view of the golf putter head shown in FIG. 1;

FIG. 6 is a left end elevational view of the golf putter head shown in FIG. 1; and,

FIG. 7 is a bottom plan view of the golf putter head shown in FIG. 1.

The broken-line showing of a portion of the golf putter shaft in FIGS. 1-6 is for illustrative purposes only and forms no part of the claimed design.

1 Claim, 1 Drawing Sheet

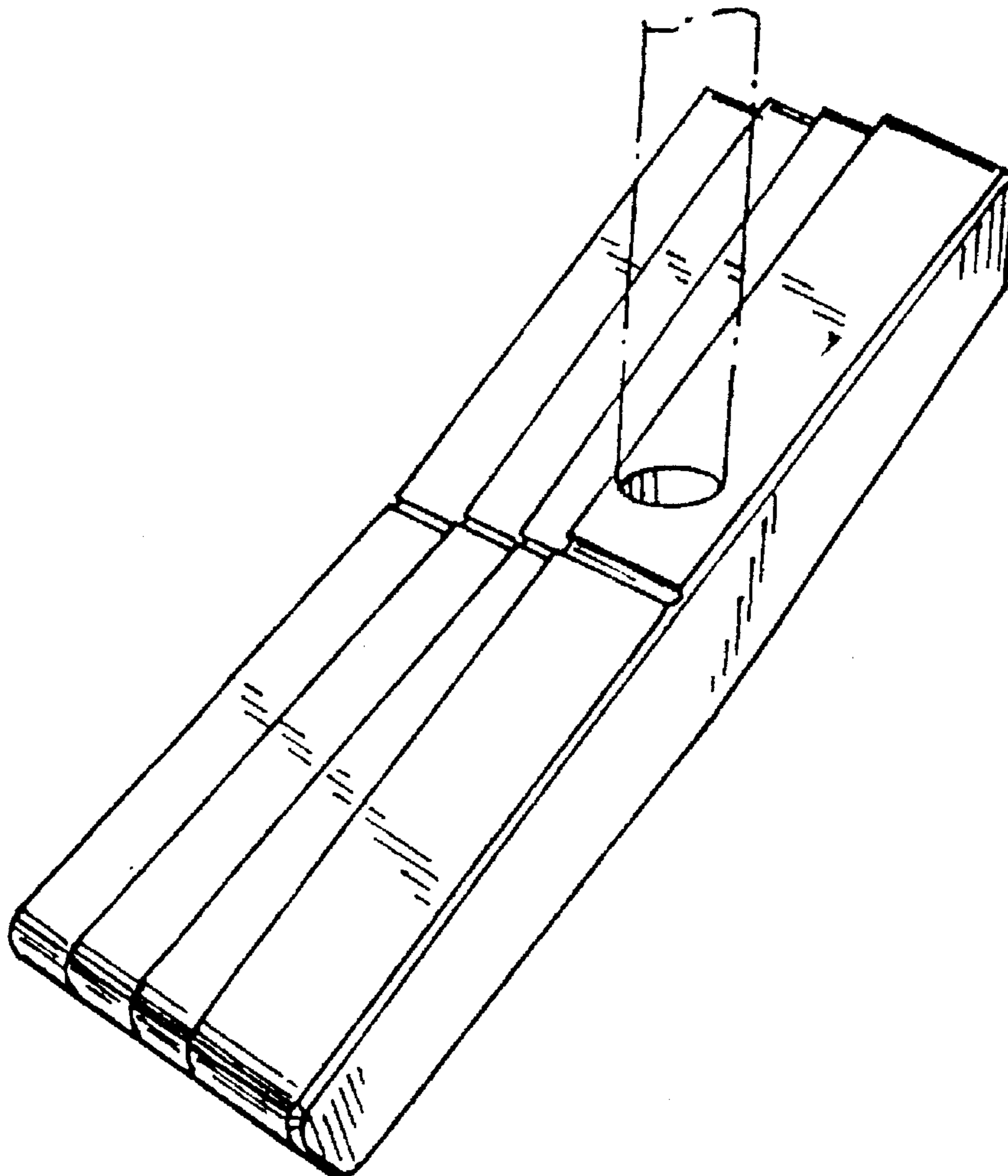


FIG. 1

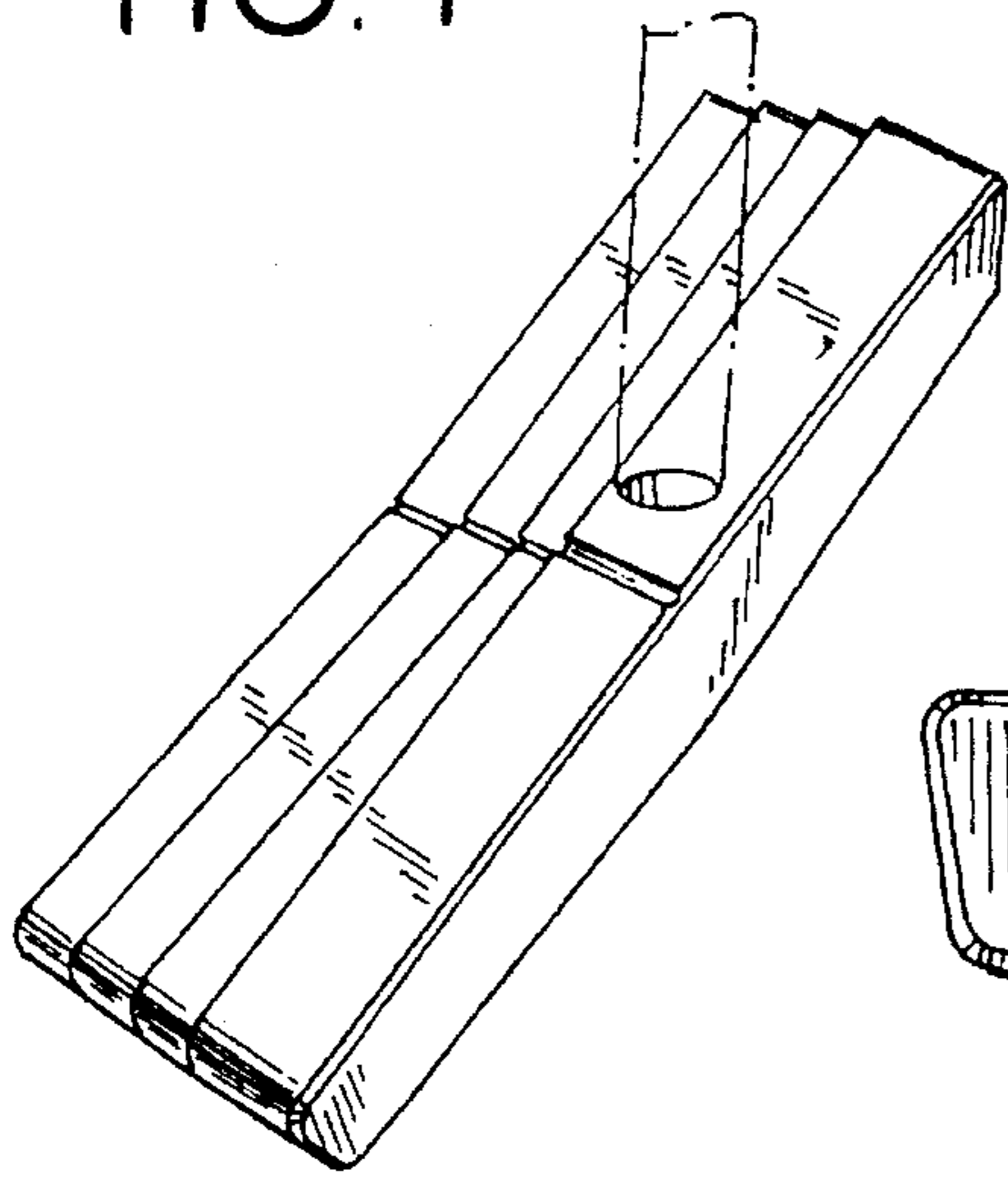


FIG. 2

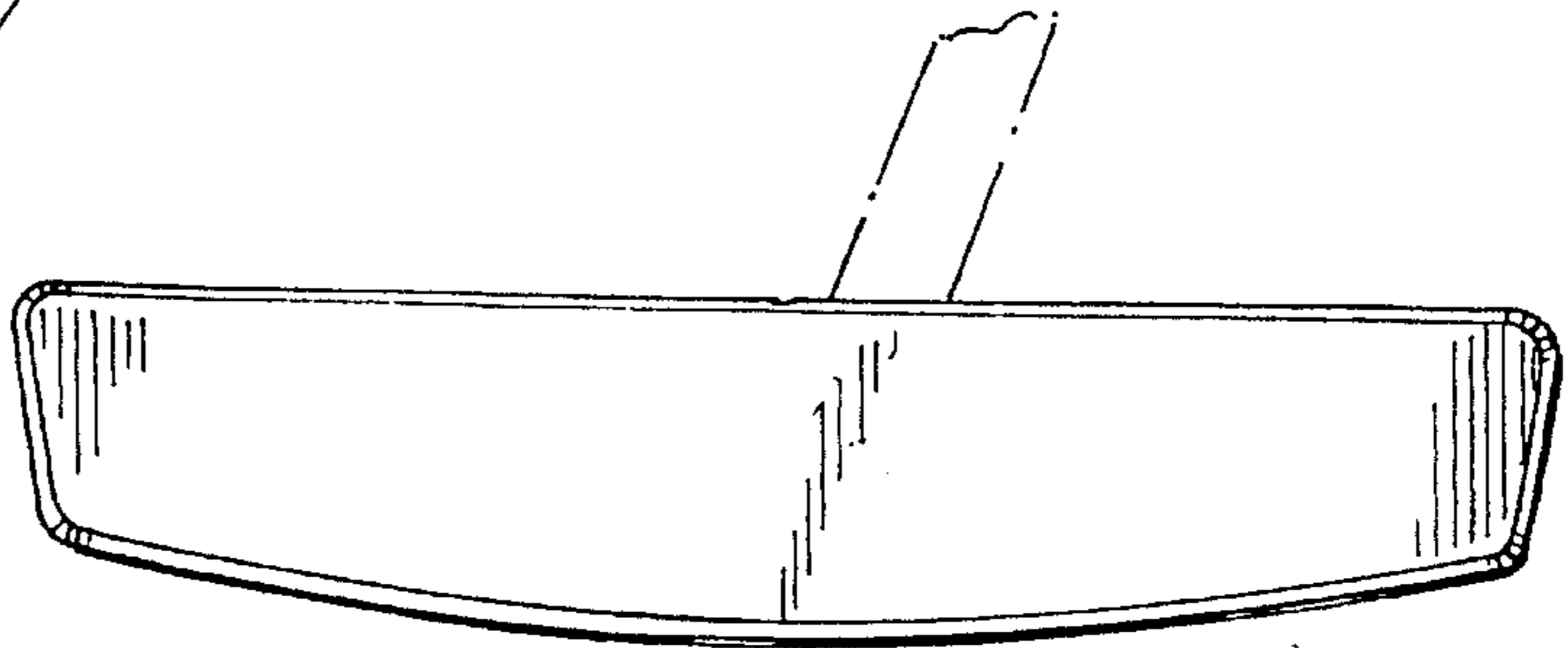


FIG. 4

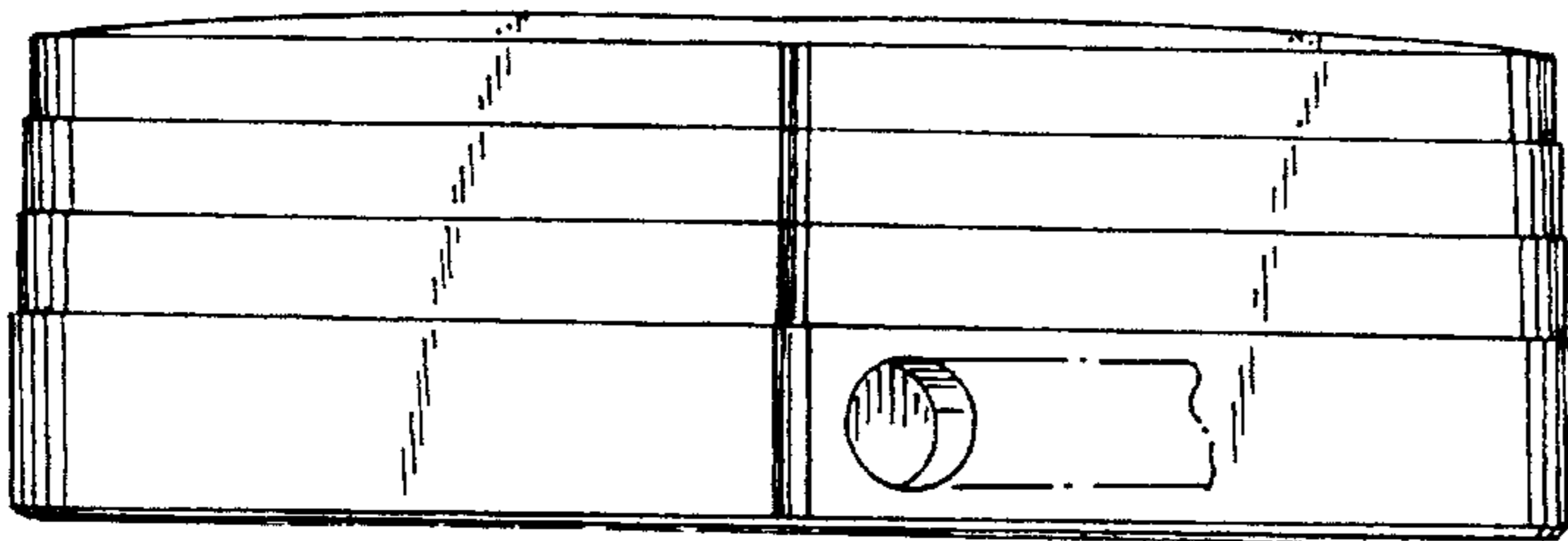


FIG. 3



FIG. 5

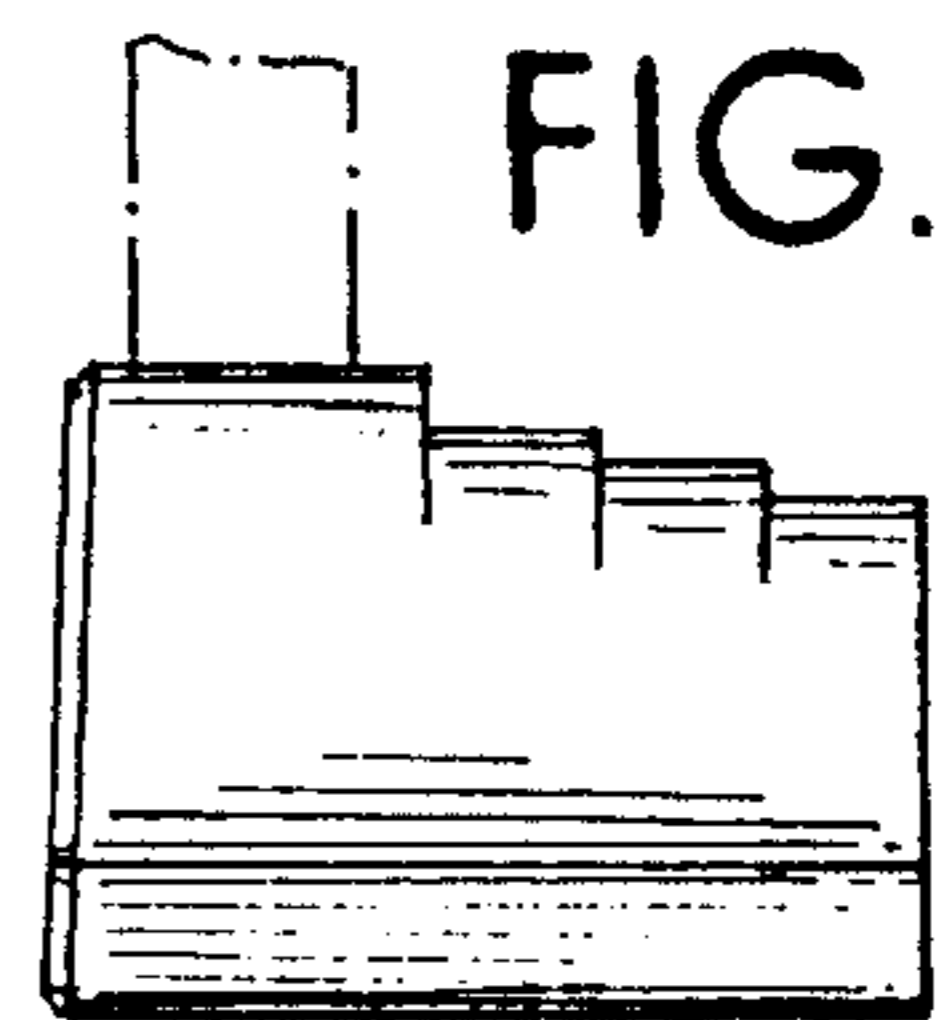


FIG. 7

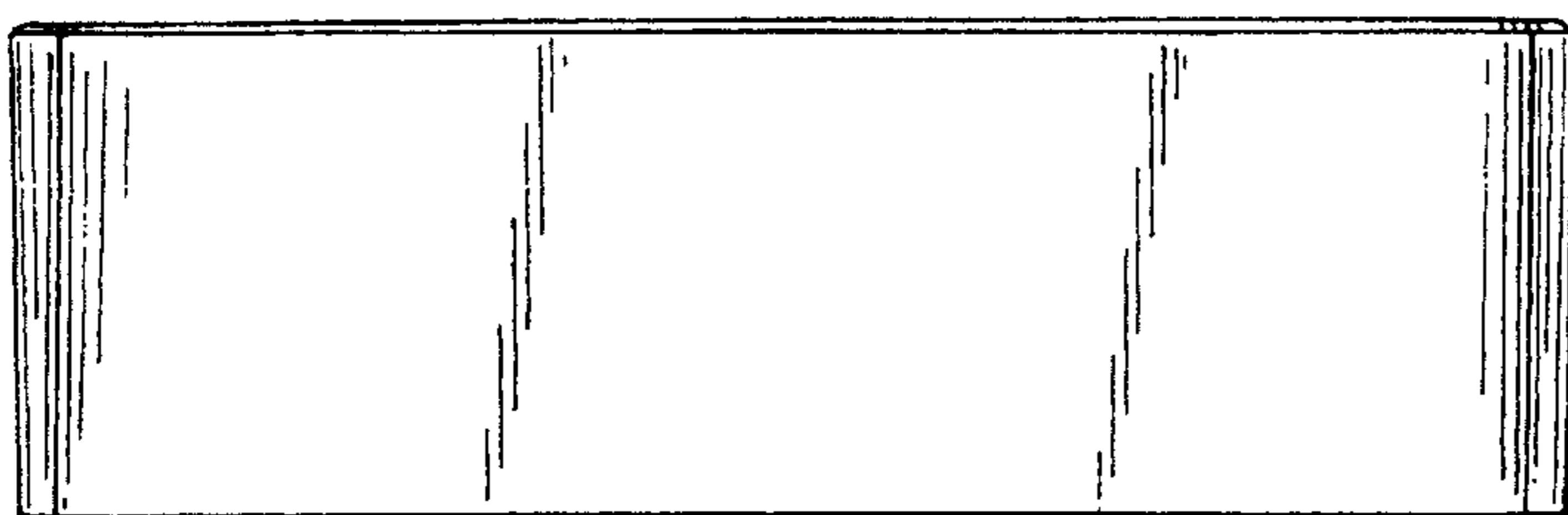


FIG. 6

