



US00D373160S

United States Patent [19]

[11] Patent Number: **Des. 373,160**

Grace

[45] Date of Patent: ****Aug. 27, 1996**

[54] **GOLF PUTTER HEAD**

[75] Inventor: **Bobby Grace**, Madeira Beach, Fla.

[73] Assignee: **Bobby Grace Golf Design, Inc.**, St. Petersburg, Fla.

[**] Term: **14 Years**

[21] Appl. No.: **38,826**

[22] Filed: **May 23, 1995**

[52] U.S. Cl. **D21/217**

[58] Field of Search **D21/217-219;**
273/167 A-K, 175

[56] **References Cited**

U.S. PATENT DOCUMENTS

D. 349,543	9/1994	MacDougall	D21/214
D. 360,009	7/1995	Grace	D21/217
D. 360,922	8/1995	Grace	D21/217

OTHER PUBLICATIONS

Edwin Watt Golf Shops; 1993; p. 4; Big Bertha Woods, upper left corner.
Pro Line Putters; 1994 Brochure; 4 putters center of page.

Primary Examiner—Ted Shooman
Assistant Examiner—Mitchell I. Siegel
Attorney, Agent, or Firm—Hill, Steadman & Simpson

[57] **CLAIM**

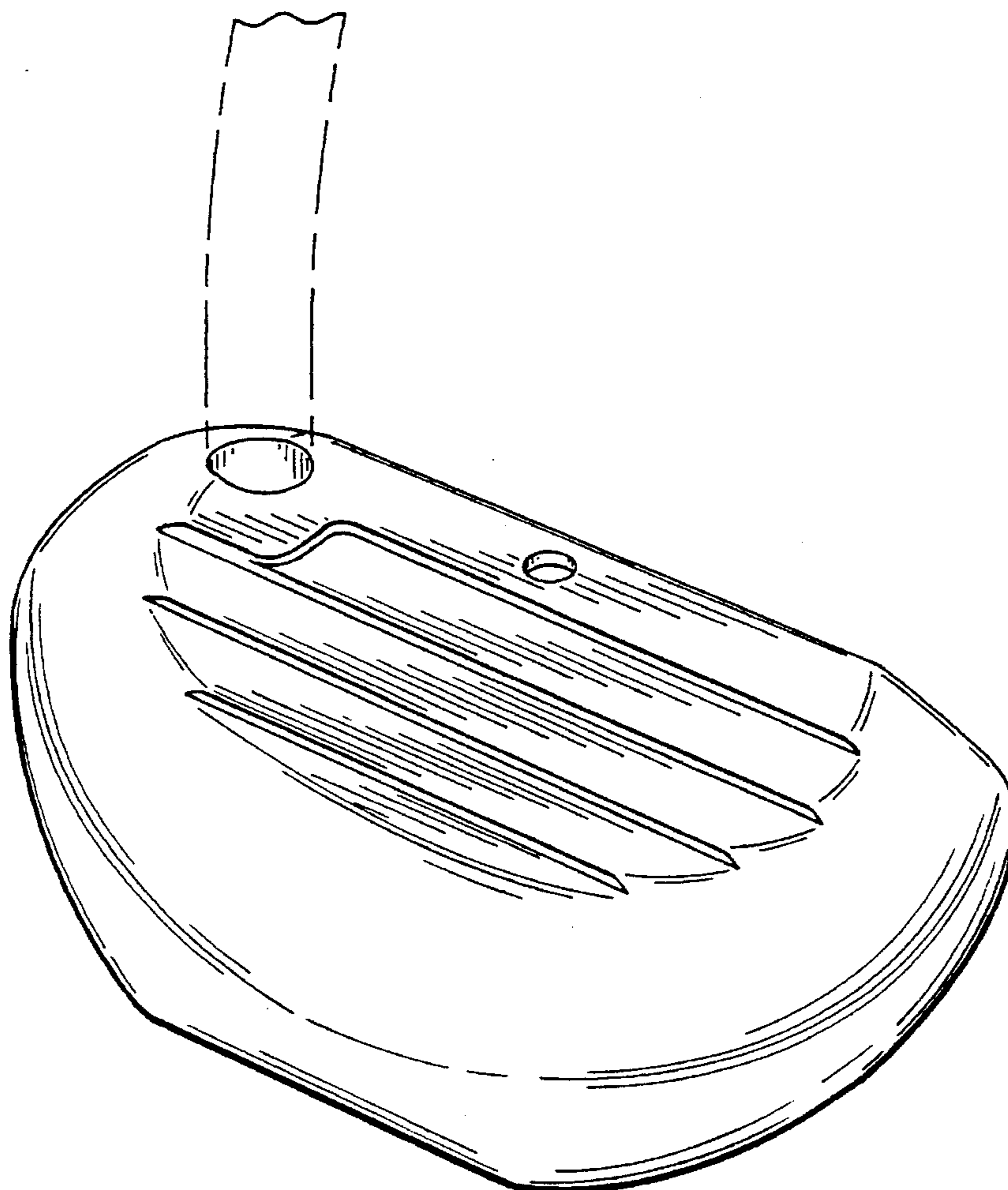
The ornamental design for a golf putter head, as shown and described.

DESCRIPTION

FIG. 1 is a perspective top view of a golf putter head showing my new design;
FIG. 2 is a top plan view;
FIG. 3 is a bottom plan view;
FIG. 4 is a left side elevation view;
FIG. 5 is a right side elevation view;
FIG. 6 is a front striking face elevation view; and,
FIG. 7 is a rear elevation view.

The broken line showing of a fragmented shaft is for illustrative purposes only and forms no part of the claimed design.

1 Claim, 2 Drawing Sheets



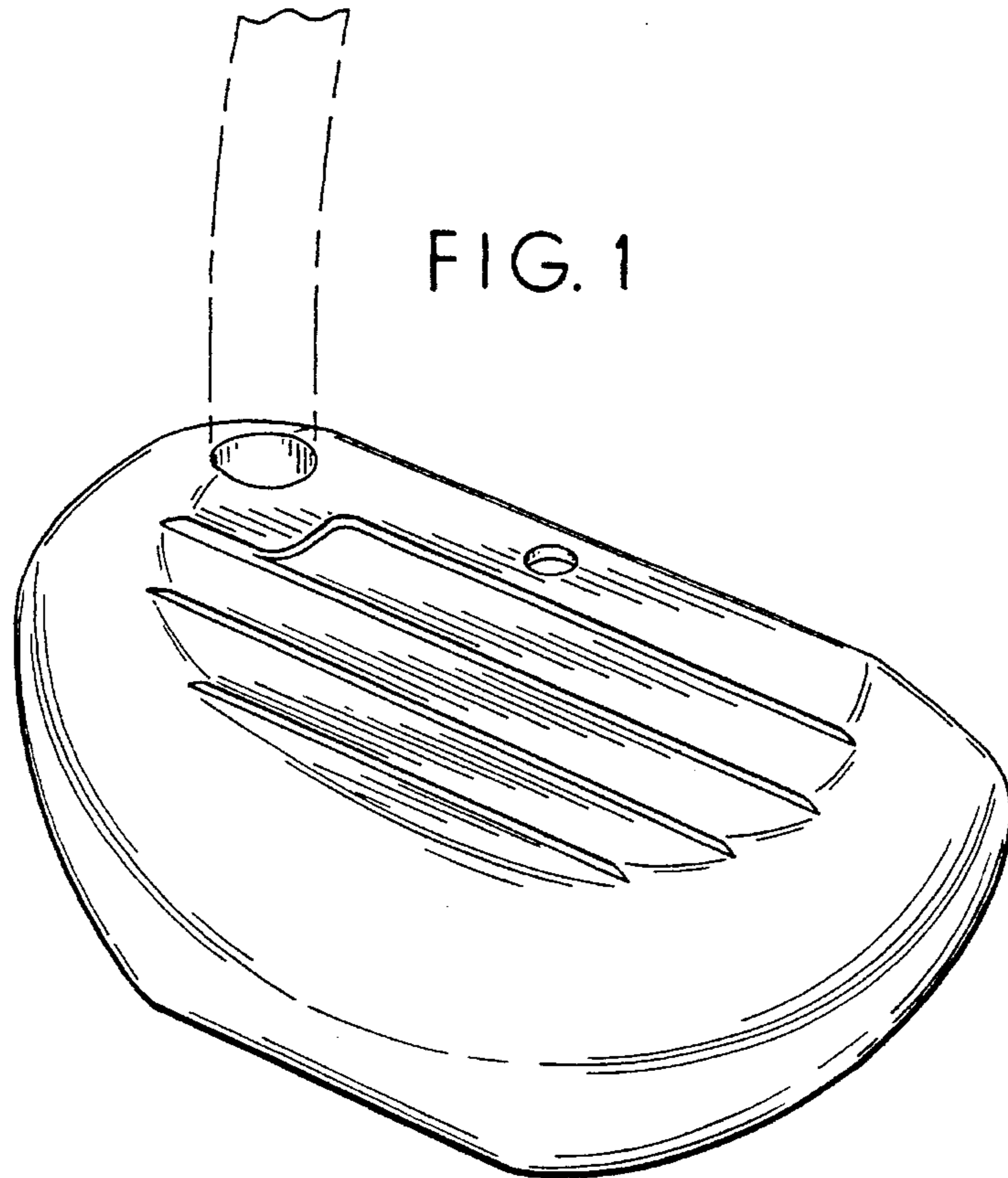


FIG. 1

FIG. 2

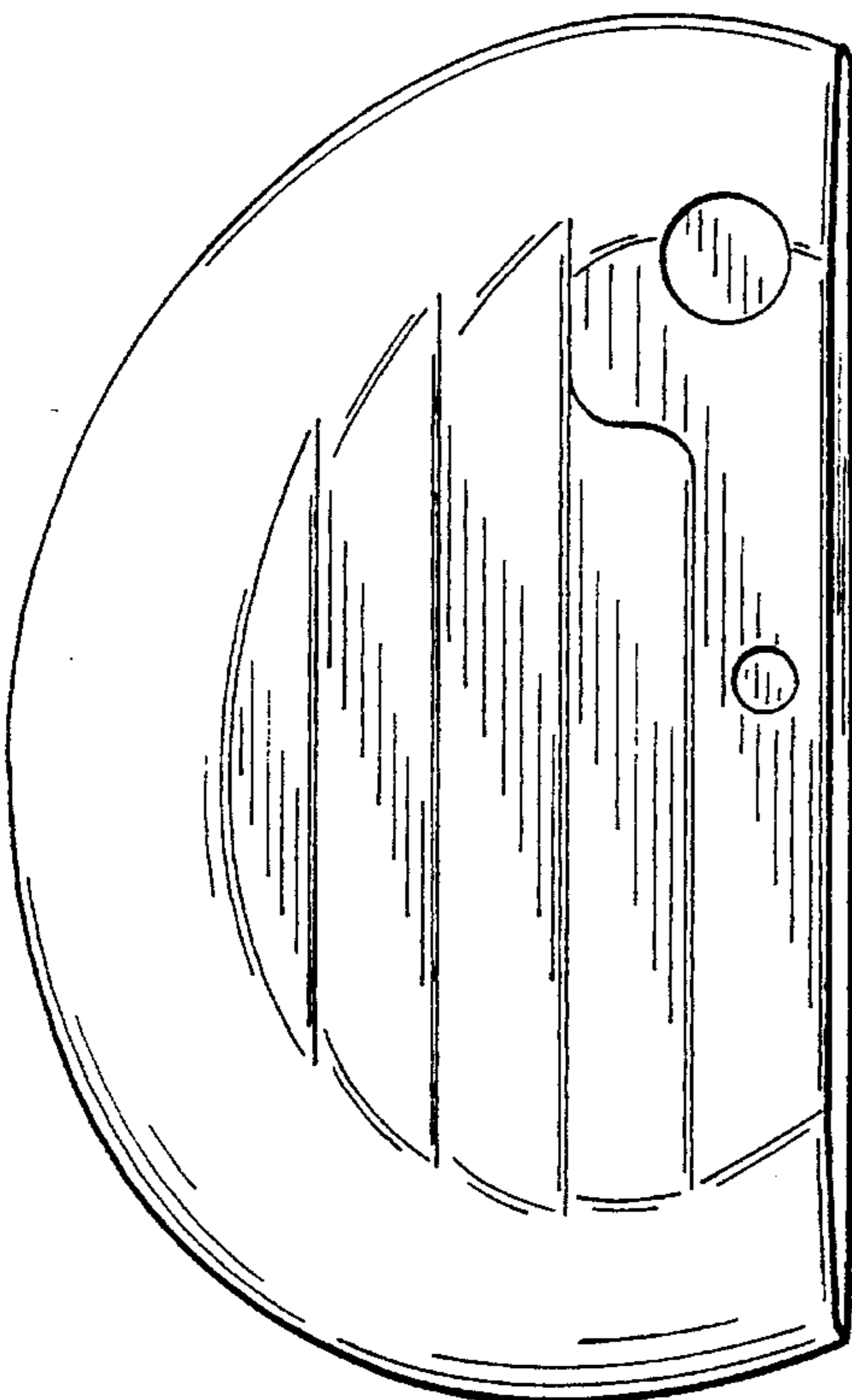


FIG. 3

