



US00D373155S

# United States Patent [19]

Cimock

[11] Patent Number: **Des. 373,155**

[45] Date of Patent: **\*\*Aug. 27, 1996**

[54] **TOY FLASHLIGHT**

[75] Inventor: **Benjamin J. Cimock**, Altamonte Springs, Fla.

[73] Assignee: **I & K Trading**, Vienna, Va.

[\*\*] Term: **14 Years**

[21] Appl. No.: **20,992**

[22] Filed: **Apr. 6, 1994**

[52] U.S. Cl. .... **D21/120; D21/109**

[58] Field of Search ..... **D21/59, 109, 120, D21/122, 173; D26/37-50; 362/186, 208; 446/479, 481, 482, 485**

[56] **References Cited**

**U.S. PATENT DOCUMENTS**

D. 168,751	2/1953	Miller .....	D26/47
D. 194,477	1/1963	Gottsegen .....	D21/173
D. 228,016	7/1973	Feuer .....	D26/47
D. 262,466	12/1981	Liberman et al. ....	D21/59
D. 282,860	3/1986	Adams .....	D21/173
D. 317,056	5/1991	Cimock .	
D. 329,263	9/1992	Cimock .	
2,959,892	11/1960	Johnson .	
3,791,068	2/1974	Pietrowiak .	
3,877,171	4/1975	Sloop et al. .	

4,782,433	11/1988	Rombough .....	362/186
4,858,083	8/1989	Wakimoyo .	
5,037,346	8/1991	Cimock .	
5,165,781	11/1992	Orak .....	362/186
5,321,591	6/1994	Cimock et al. ....	446/485

*Primary Examiner*—Ted Shooman  
*Assistant Examiner*—R. Barkai  
*Attorney, Agent, or Firm*—Stroock & Stroock & Lavan

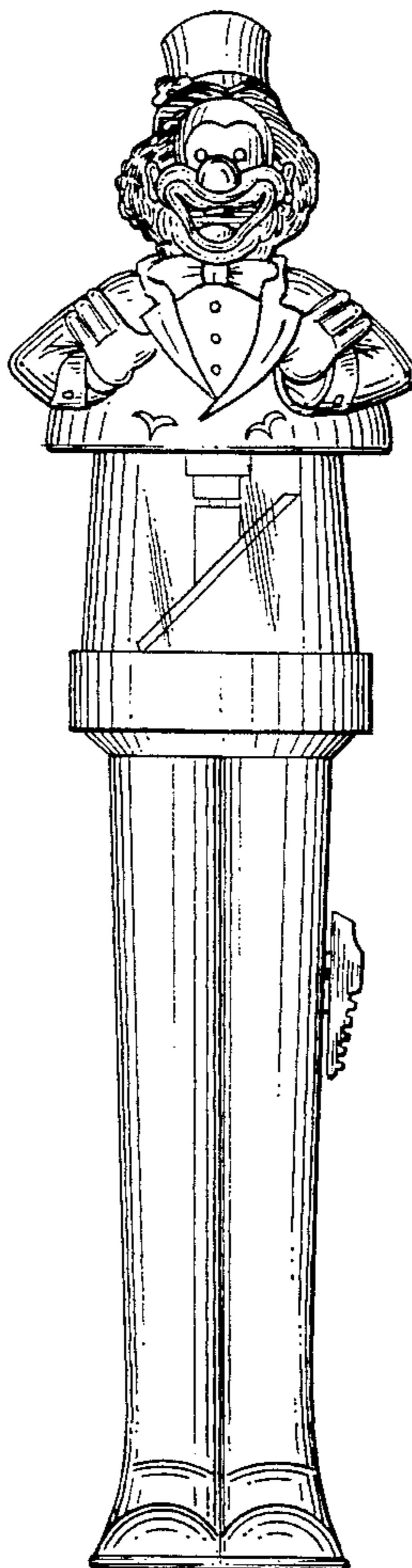
[57] **CLAIM**

The ornamental design for a toy flashlight, as shown.

**DESCRIPTION**

FIG. 1 is a front elevational view of a design for a toy flashlight in accordance with the instant invention; FIG. 2 is a top plan view of the toy flashlight design depicted in FIG. 1; FIG. 3 is a right side elevational view of a toy flashlight design depicted in FIG. 1; FIG. 4 is a left side elevational view of the toy flashlight design depicted in FIG. 1; FIG. 5 is a rear elevational view of the toy flashlight design depicted in FIG. 1; and, FIG. 6 is a bottom plan view of the toy flashlight design depicted in FIG. 1.

**1 Claim, 3 Drawing Sheets**



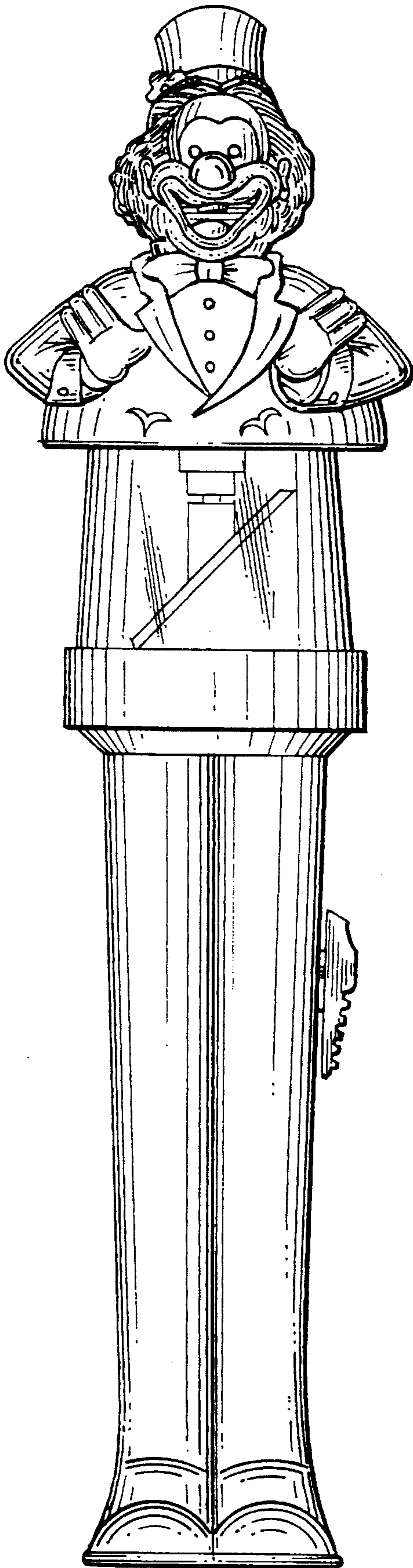


FIG. 1

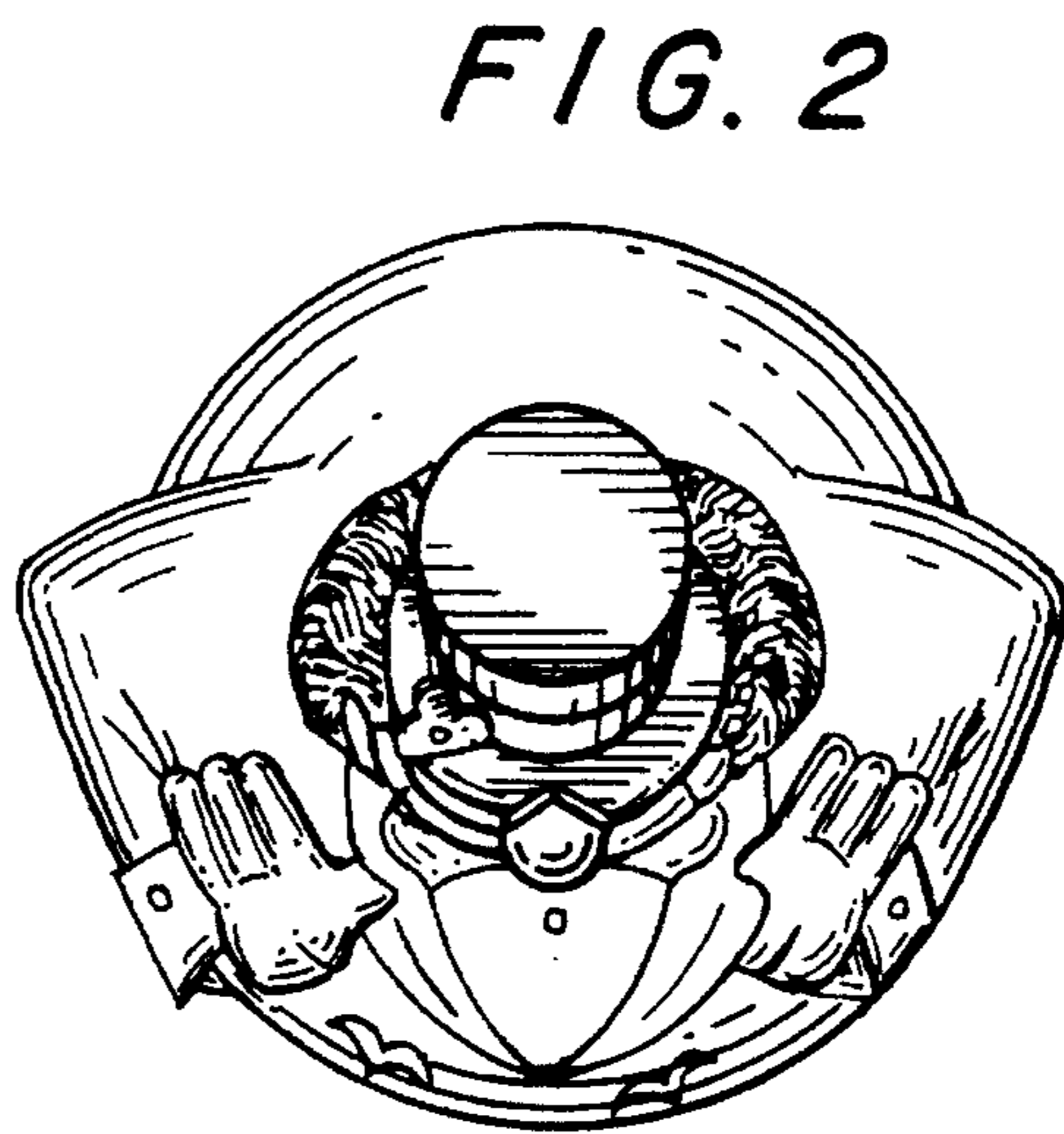


FIG. 2

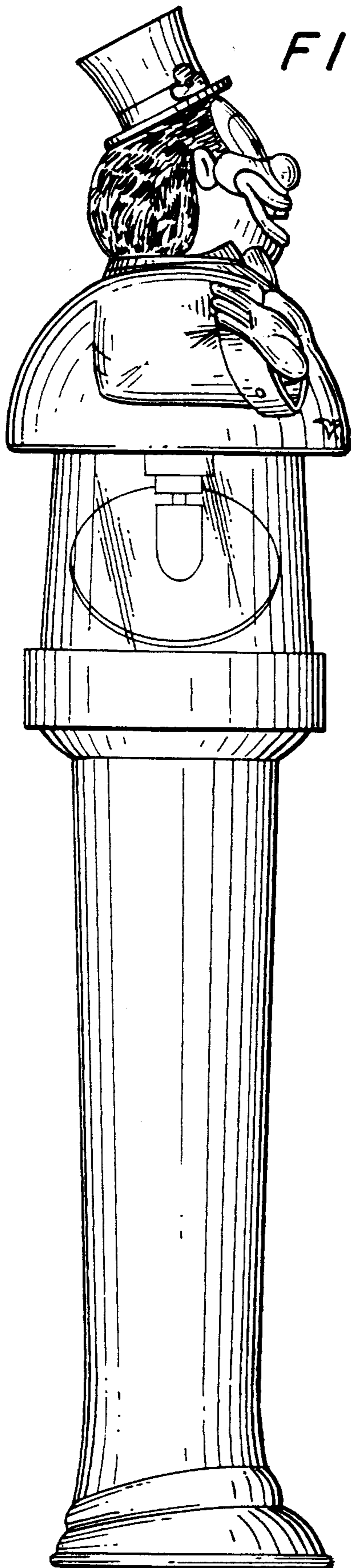


FIG. 3

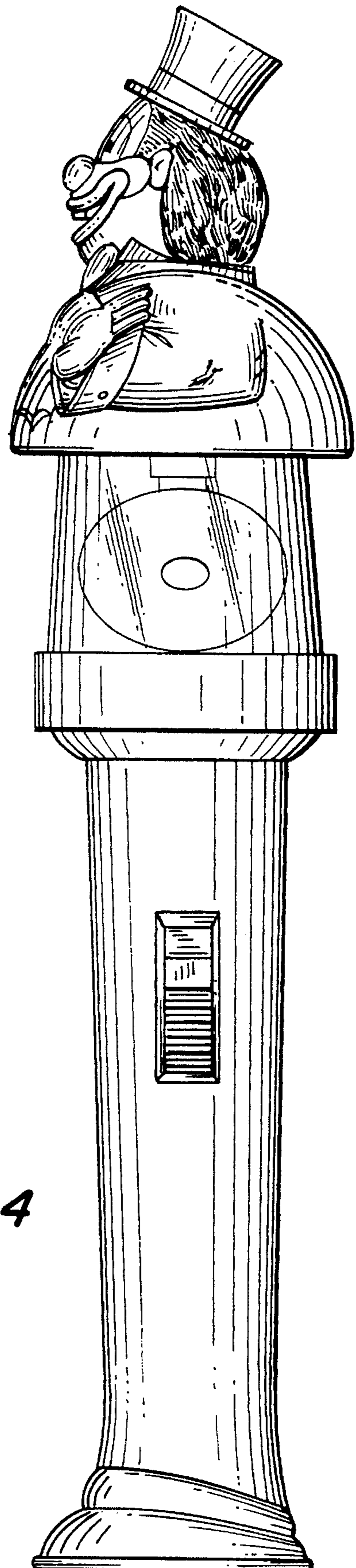


FIG. 4

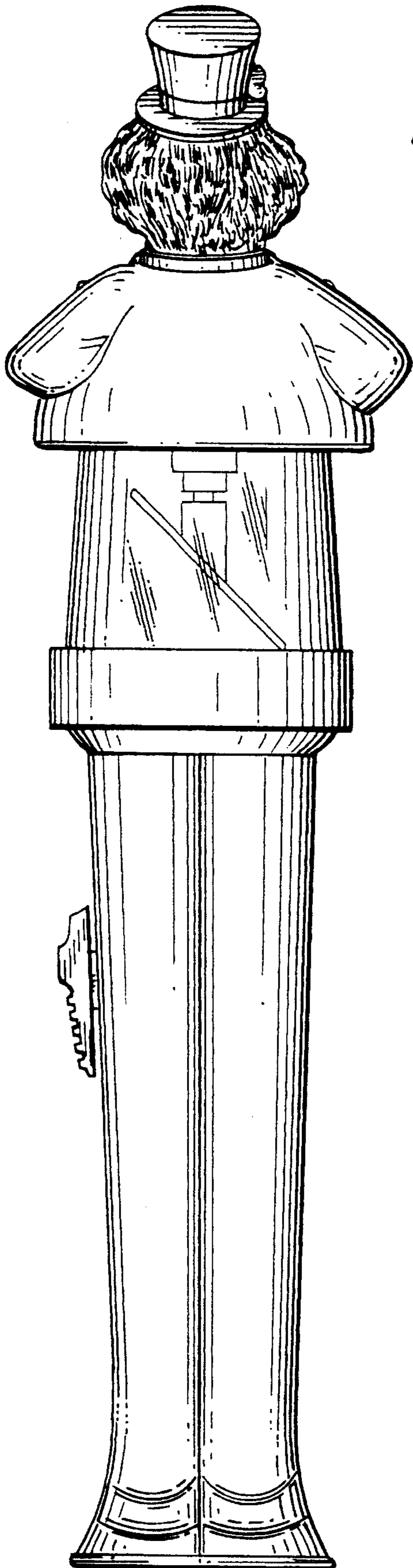


FIG. 5

FIG. 6

