



US00D373153S

United States Patent [19]
Madsen

[11] **Patent Number: Des. 373,153**
[45] **Date of Patent: **Aug. 27, 1996**

[54] **TOY BUILDING ELEMENT**

4,690,656 9/1987 Friedman et al. 446/95

[75] Inventor: **Hans Madsen**, Billund, Denmark

Primary Examiner—Ted Shooman

Assistant Examiner—R. Barkai

[73] Assignee: **INTERLEGO AG**, Baar, Switzerland

Attorney, Agent, or Firm—Kane, Dalsimer, Sullivan,
Kurucz, Levy, Eisele and Richard, LLP

[**] Term: **14 Years**

[57] **CLAIM**

[21] Appl. No.: **43,986**

The ornamental design for a toy building element, shown and described.

[22] Filed: **Sep. 14, 1995**

[52] U.S. Cl. **D21/108**

DESCRIPTION

[58] **Field of Search** D21/108; 446/75,
446/76, 110, 115, 116, 120, 124, 125, 128,
479, 487

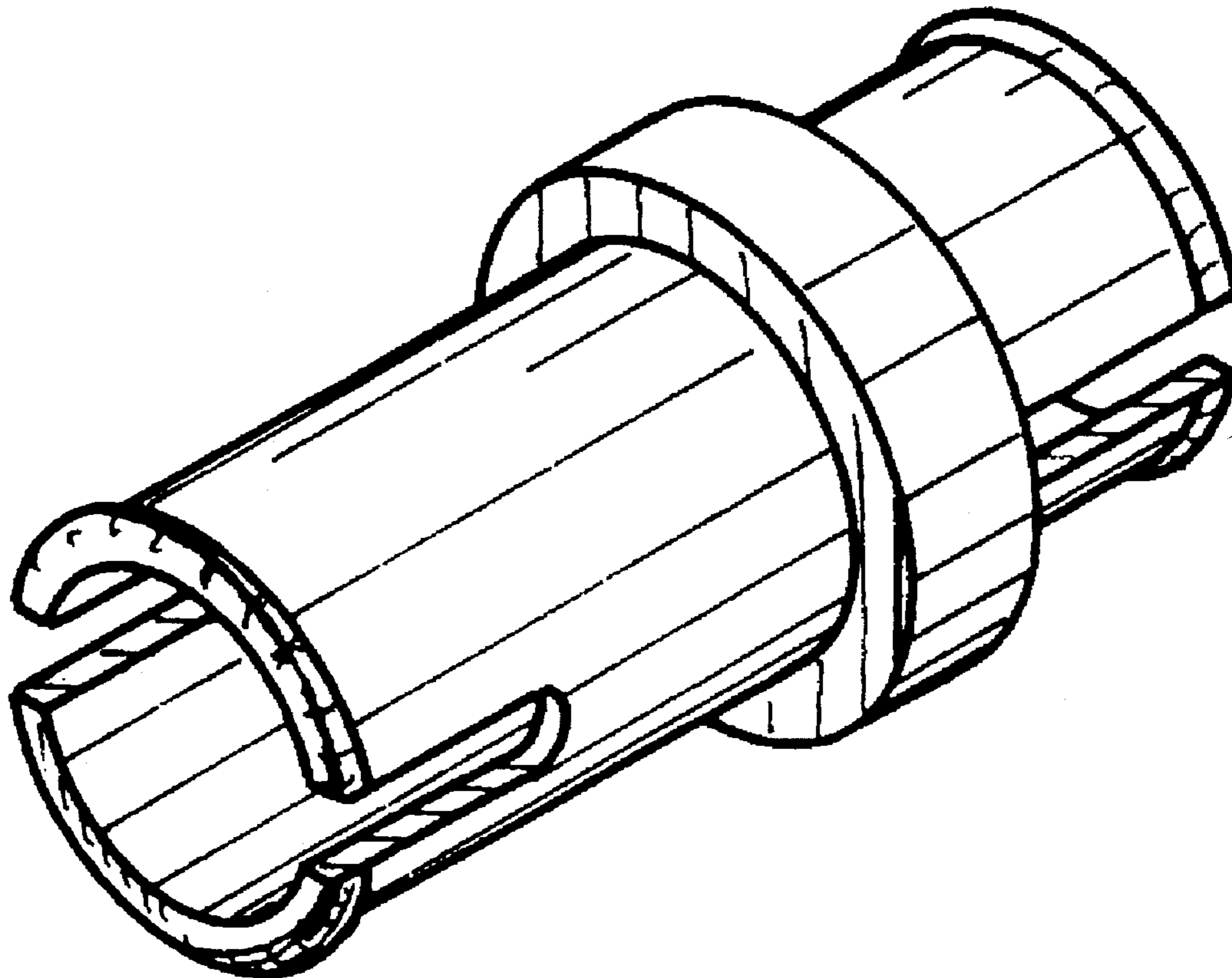
FIG. 1 is a top perspective view of the toy building element showing my new design;
FIG. 2 is a bottom perspective view thereof;
FIG. 3 is a left side elevational view thereof, the right side being a mirror image thereof;
FIG. 4 is a front elevational view thereof, the rear view being a mirror image thereof; and,
FIG. 5 is a bottom plan view thereof, the top plan view being identical.

[56] **References Cited**

U.S. PATENT DOCUMENTS

D. 276,830	12/1984	Petersson	D21/108
D. 281,440	11/1985	Petersson	D21/18
D. 309,927	8/1990	Ryaa et al.	D21/108
2,658,776	11/1953	Wilcox	446/115
4,182,072	1/1980	Much	446/115

1 Claim, 1 Drawing Sheet



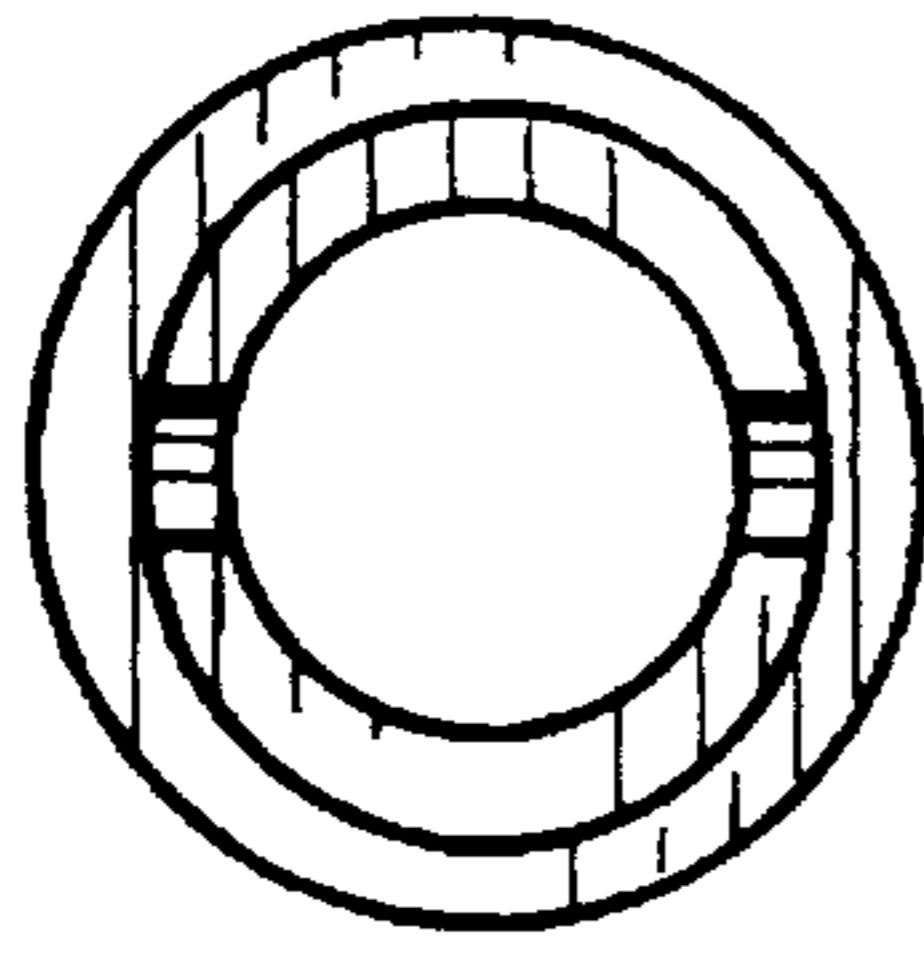


FIG. 4

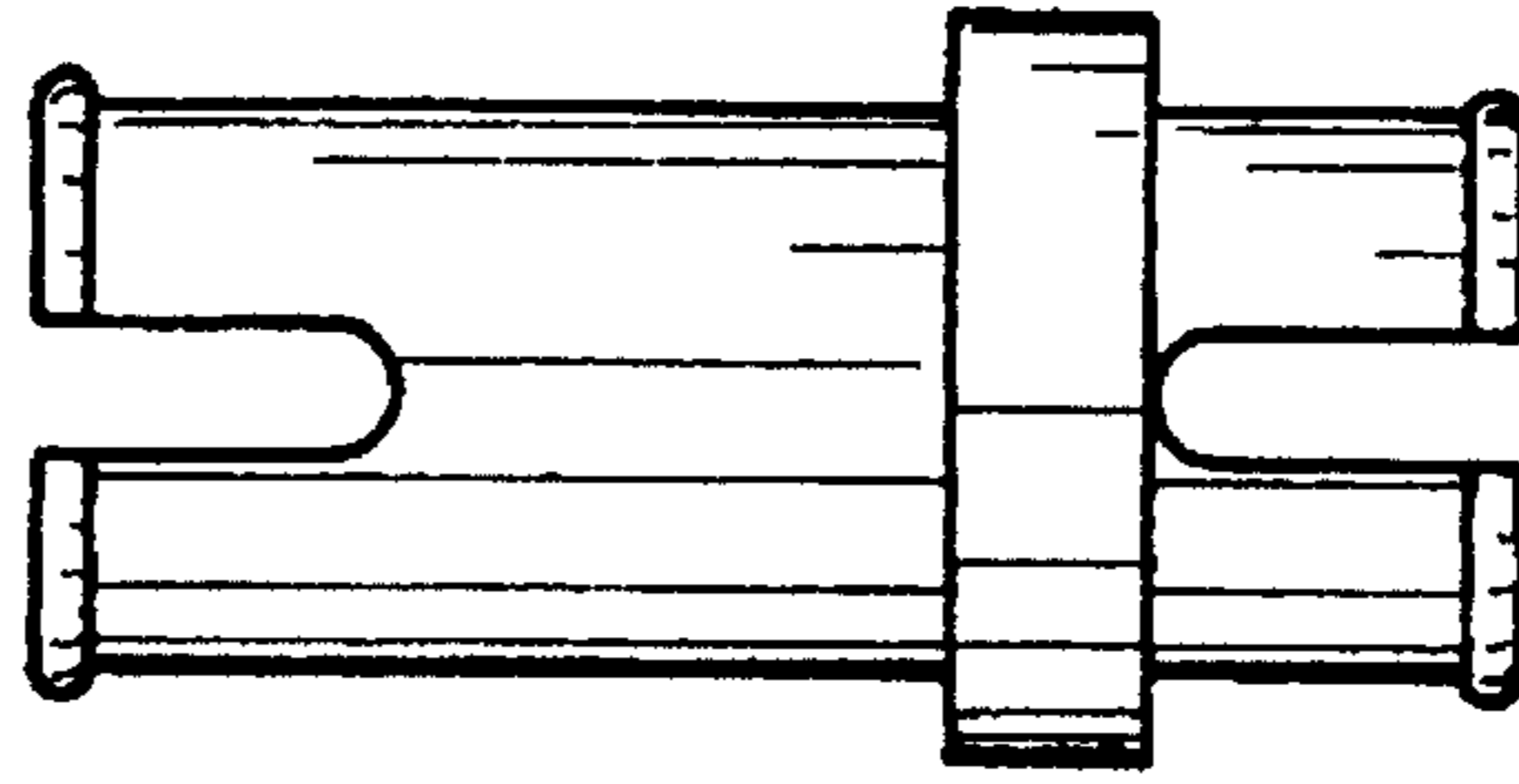


FIG. 3

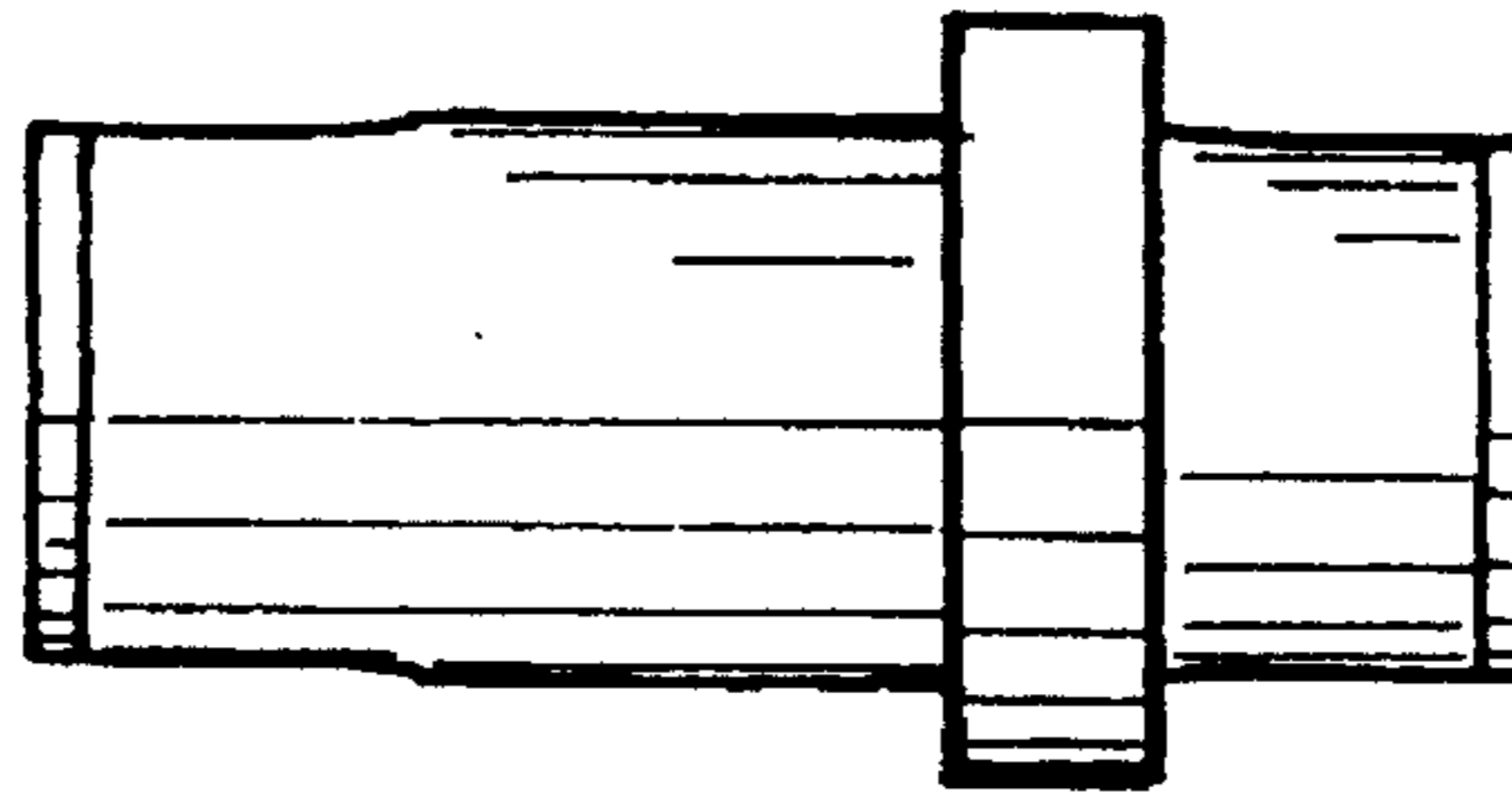


FIG. 5

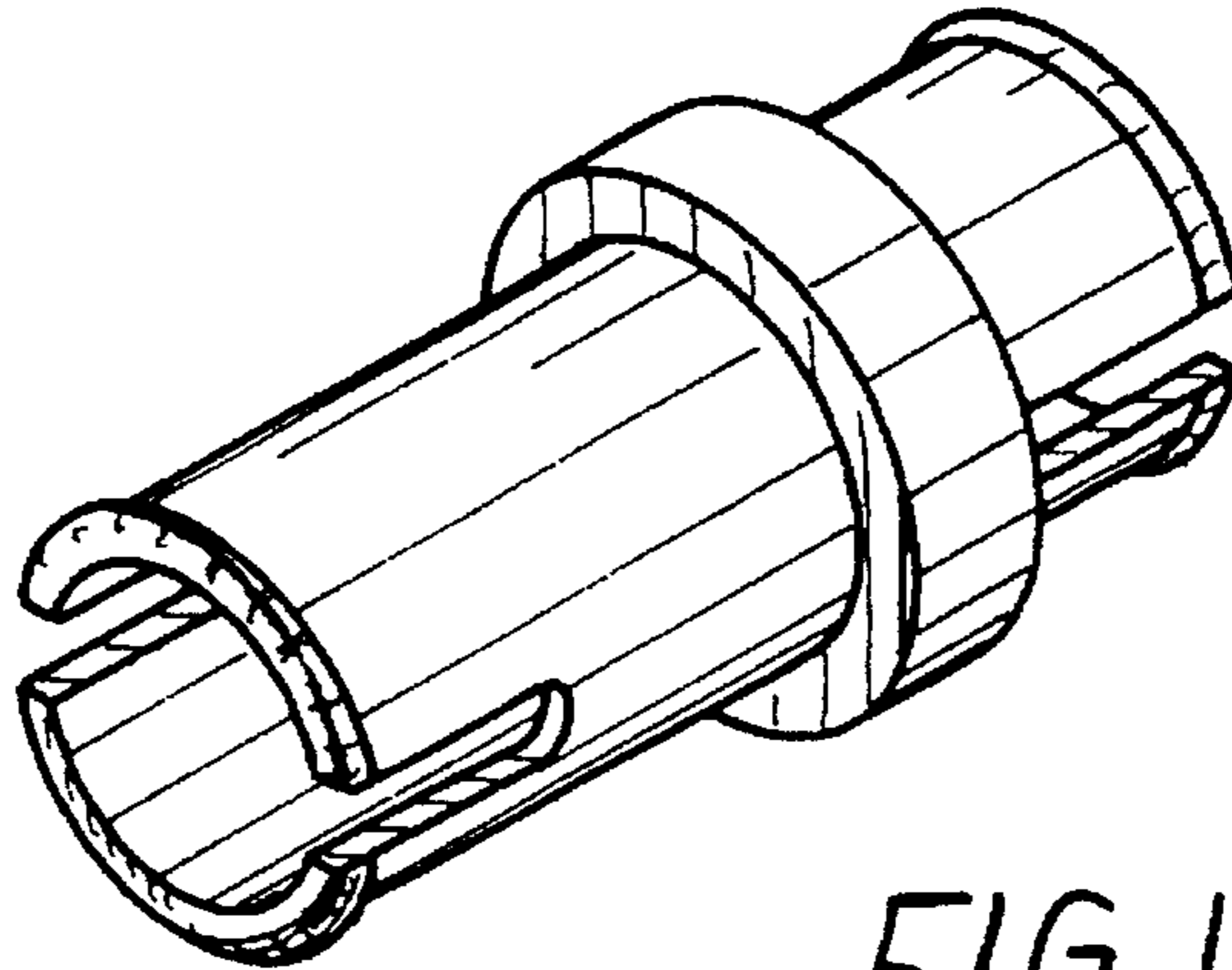


FIG. 1

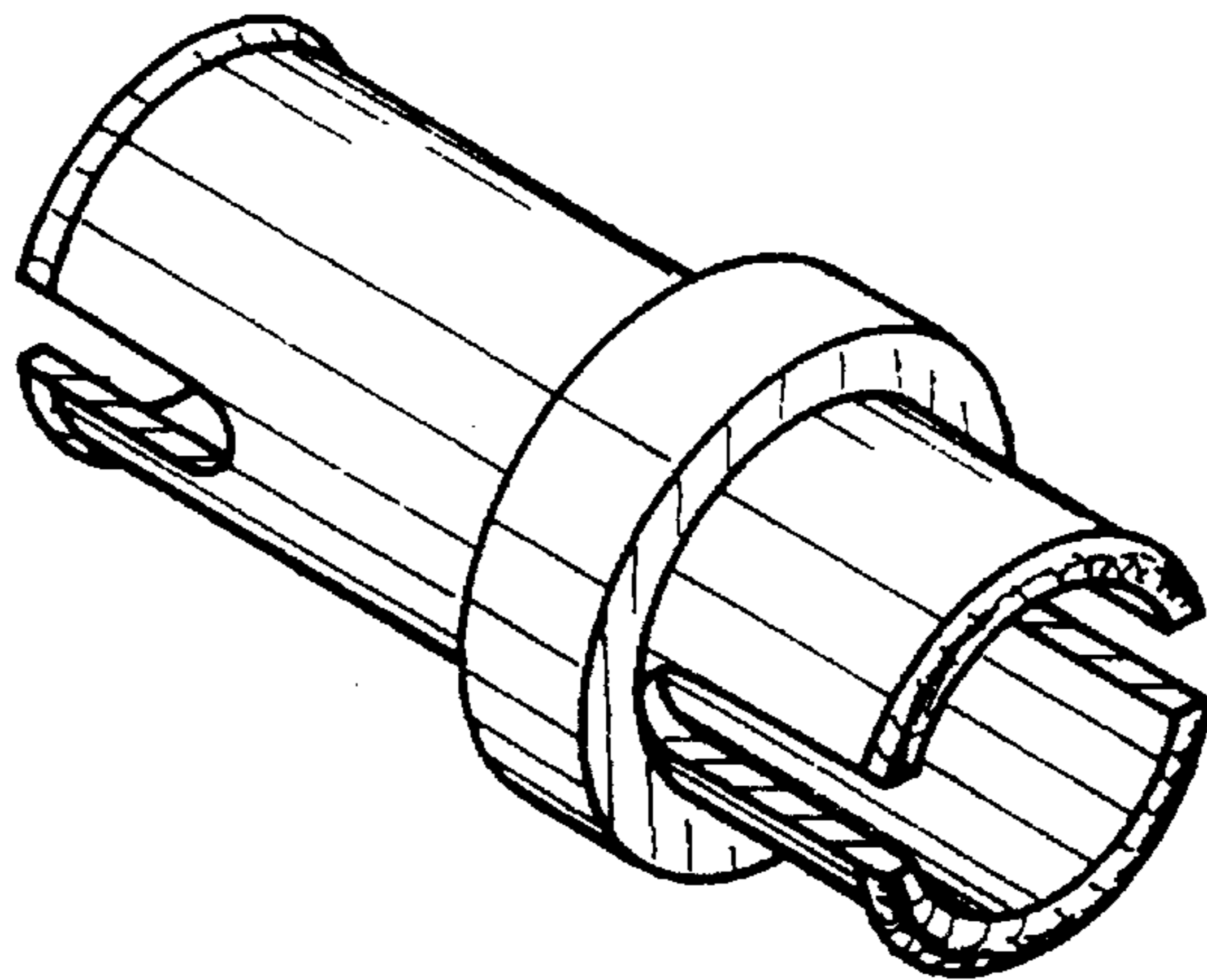


FIG. 2