



US00D373152S

United States Patent [19]
Thomassen

[11] **Patent Number: Des. 373,152**

[45] **Date of Patent: **Aug. 27, 1996**

[54] **TOY BUILDING ELEMENT**

5,318,470 6/1994 Denny 446/126

[75] **Inventor: Anna M. Thomassen, Århus, Denmark**

Primary Examiner—Terry A. Wallace

[73] **Assignee: INTERLEGO AG, Baar, Switzerland**

Assistant Examiner—R. Barkai

[**] **Term: 14 Years**

Attorney, Agent, or Firm—Kane, Dalsimer, Sullivan, Kurucz, Levy, Eisele and Richard, LLP

[21] **Appl. No.: 43,979**

[57] **CLAIM**

[22] **Filed: Sep. 14, 1995**

The ornamental design for a toy building element, shown and described.

[52] **U.S. Cl. D21/108**

DESCRIPTION

[58] **Field of Search** D21/108, 109, D21/114, 124, 125, 141; 446/103, 110, 115, 120, 124, 125, 126, 128, 479, 487

FIG. 1 is a top perspective view of the toy building element showing my new design;

FIG. 2 is a bottom perspective view thereof;

FIG. 3 is a side elevational view thereof, all sides being identical;

FIG. 4 is a bottom plan view thereof; and,

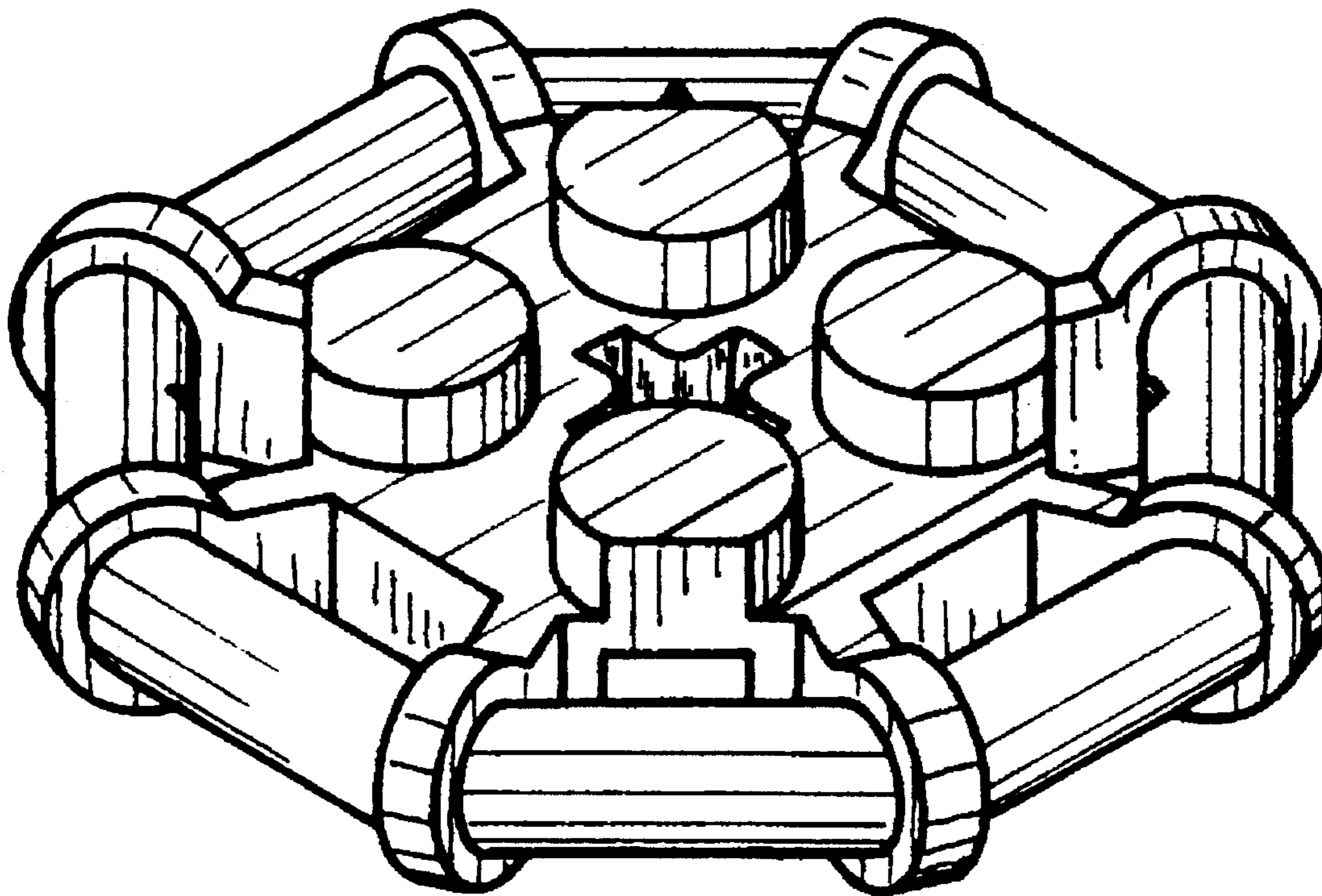
FIG. 5 is a top plan view thereof.

[56] **References Cited**

U.S. PATENT DOCUMENTS

D. 347,453	5/1994	Pronsato et al.	D21/108
D. 360,659	7/1995	Knudsen	D21/108
4,758,196	7/1988	Wang	446/126
4,787,191	11/1988	Shima	446/126

1 Claim, 2 Drawing Sheets



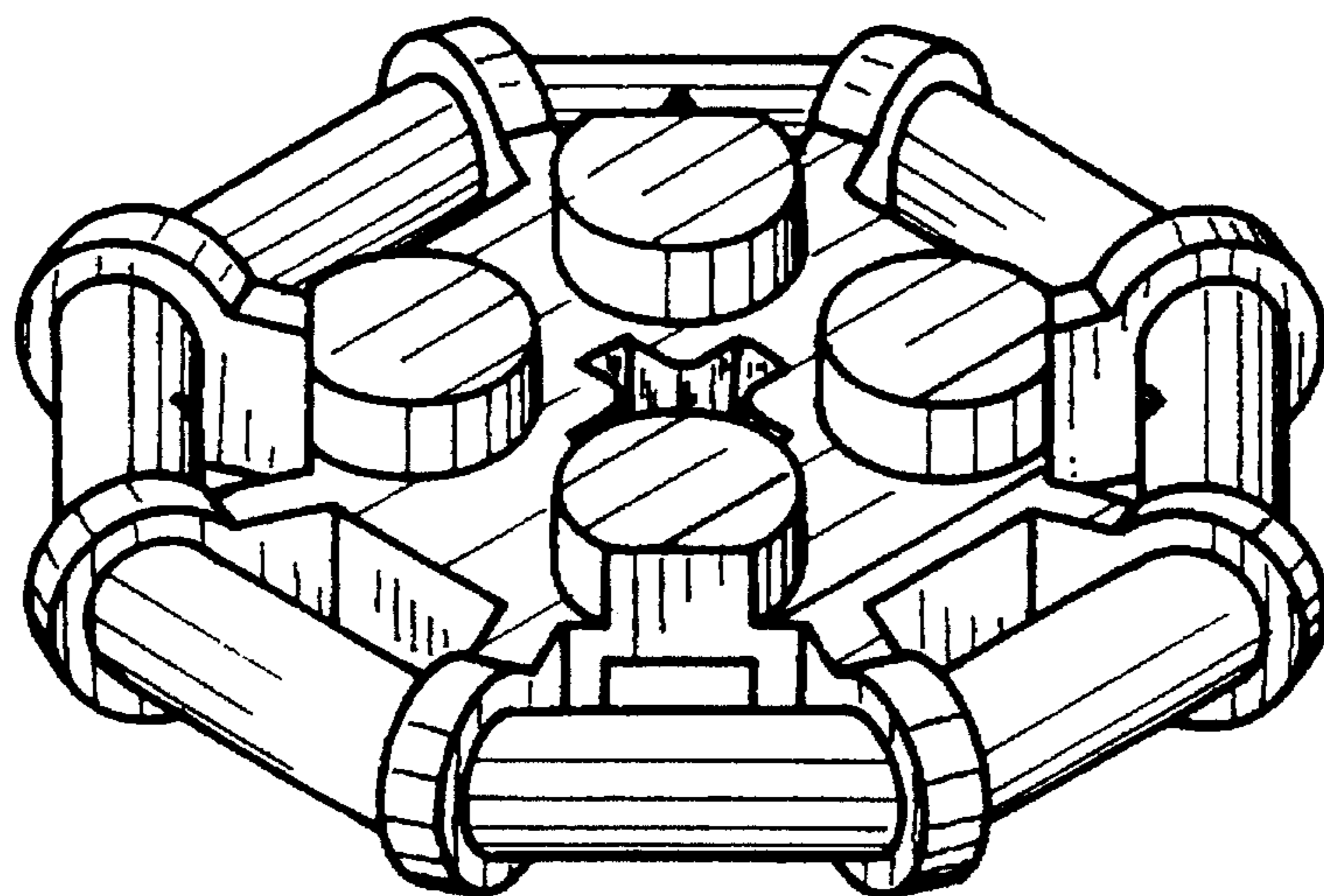


FIG. 1

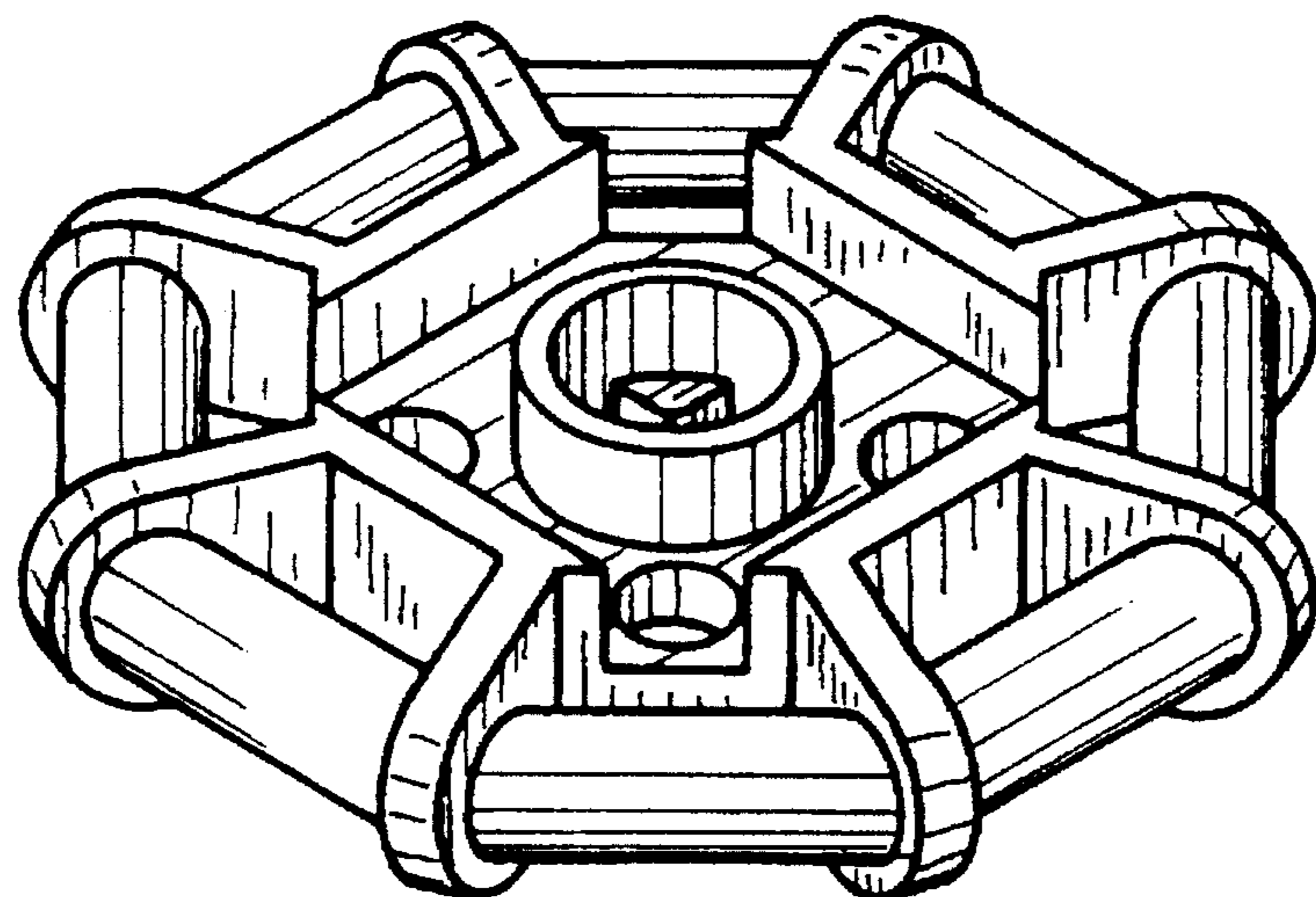


FIG. 2

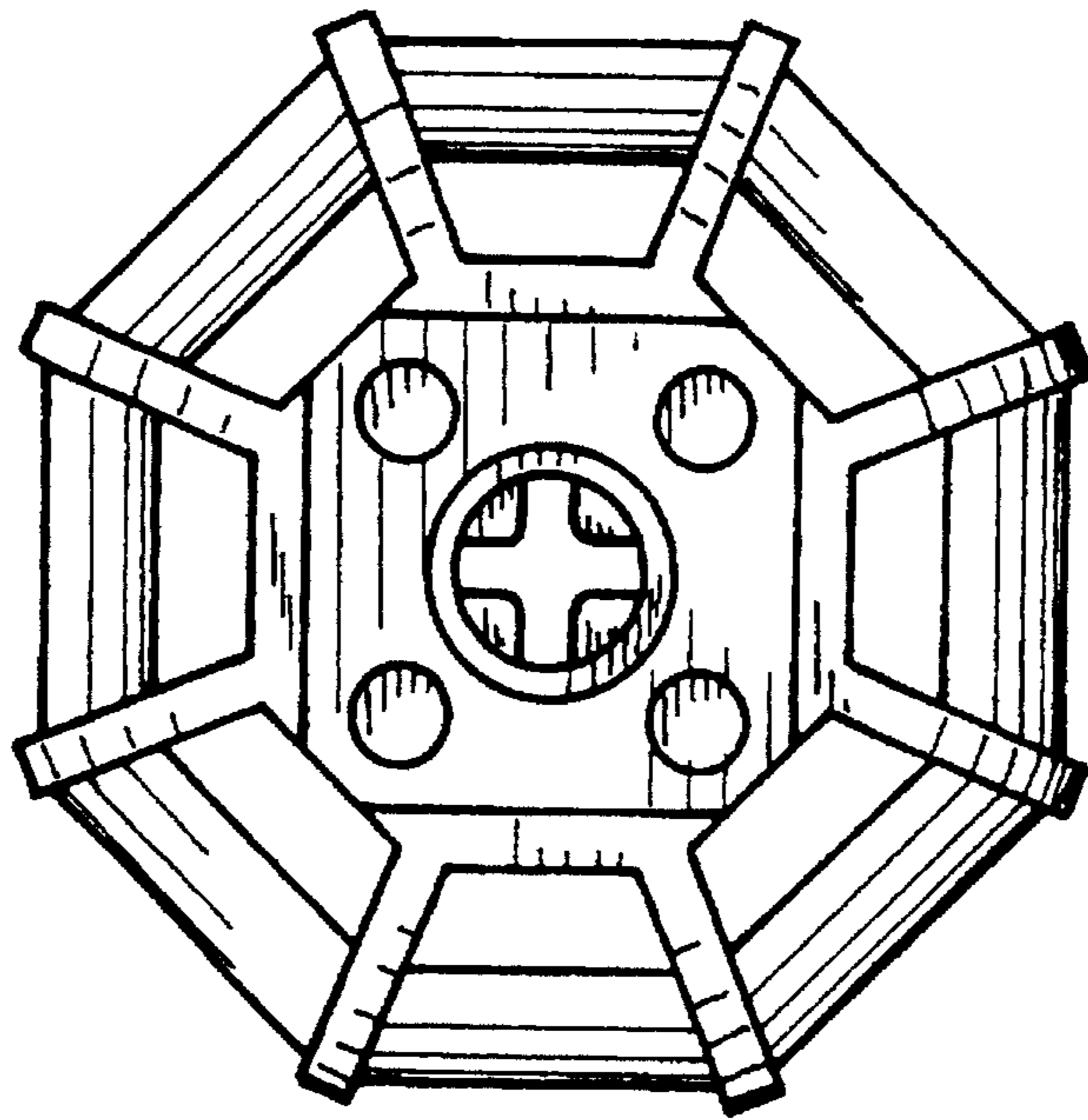


FIG. 4

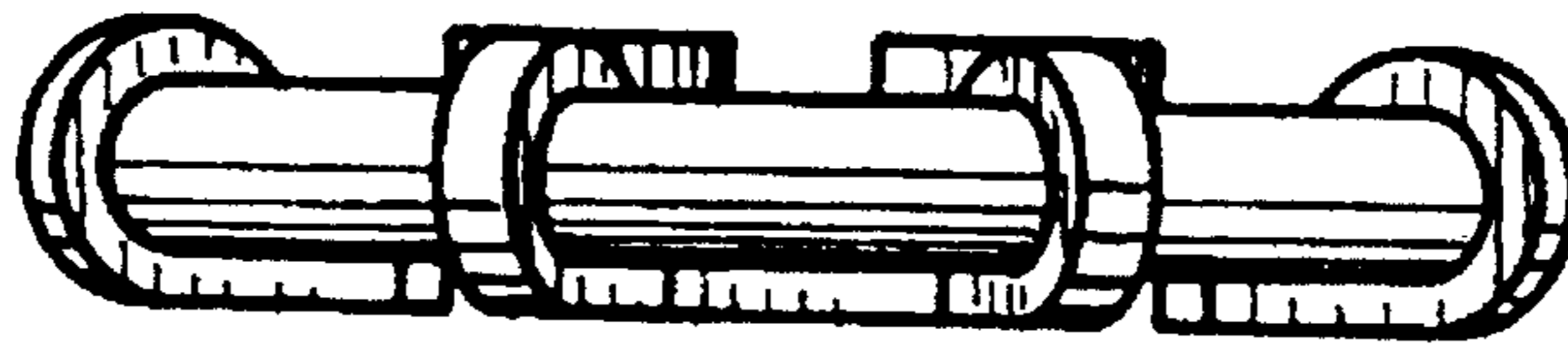


FIG. 3

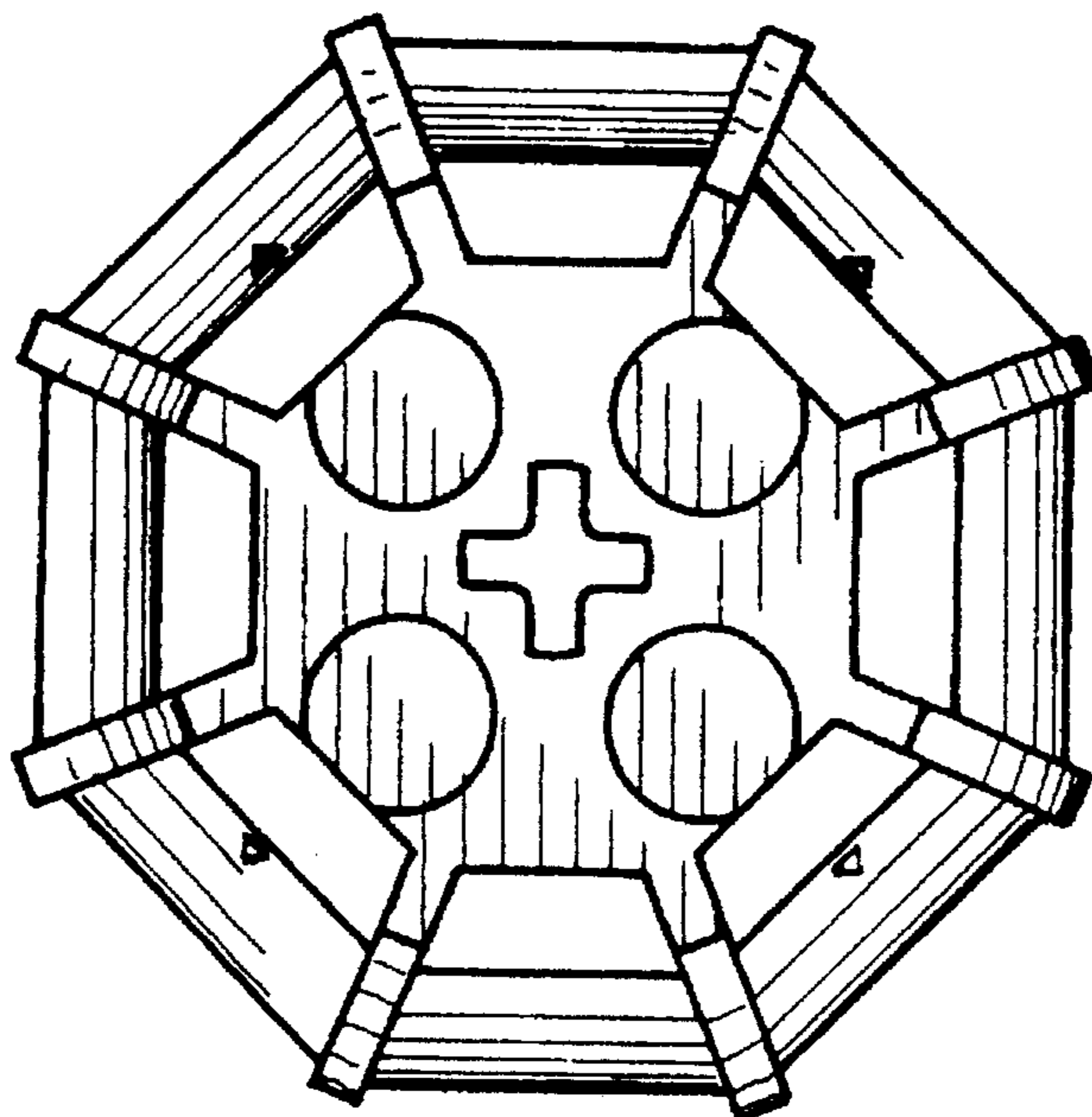


FIG. 5