



US00D373142S

United States Patent [19]
Zilinsky

[11] **Patent Number: Des. 373,142**
[45] **Date of Patent: **Aug. 27, 1996**

[54] **DECORATIVE BOOK HOLDER**

FOREIGN PATENT DOCUMENTS

[76] Inventor: **Patricia R. Zilinsky**, 6508 Barclay Ct.,
Downers Grove, Ill. 60516

69600 1/1944 Norway 281/42

[**] Term: **14 Years**

Primary Examiner—James M. Gandy
Assistant Examiner—Pamela Burgess

[21] Appl. No.: **33,180**

[57] **CLAIM**

[22] Filed: **Jan. 6, 1995**

The ornamental design for a decorative book holder, as shown and described.

[52] U.S. Cl. **D19/34.1**

DESCRIPTION

[58] **Field of Search** D19/34.1, 34.2,
D19/34.3, 59; D11/160, 20, 21, 22; 211/42,
43, 183; 248/441.1, 442; D14/234; 281/42,
45

FIG. 1 is a front elevational view of the decorative book holder showing my new design;
FIG. 2 is a rear elevational view thereof;
FIG. 3 is a left side elevational view thereof;
FIG. 4 is a right side elevational view thereof;
FIG. 5 is a top plan view thereof; and,
FIG. 6 is a bottom plan view thereof.

[56] **References Cited**

The broken lines shown in FIG. 1 are for illustrative purposes only and forms no part of the claimed design.

U.S. PATENT DOCUMENTS

D. 297,841	9/1988	Shimazaki	D14/234
D. 300,040	2/1989	Dermody	D19/594
4,569,447	2/1986	Cifranic	D19/34.1

1 Claim, 3 Drawing Sheets

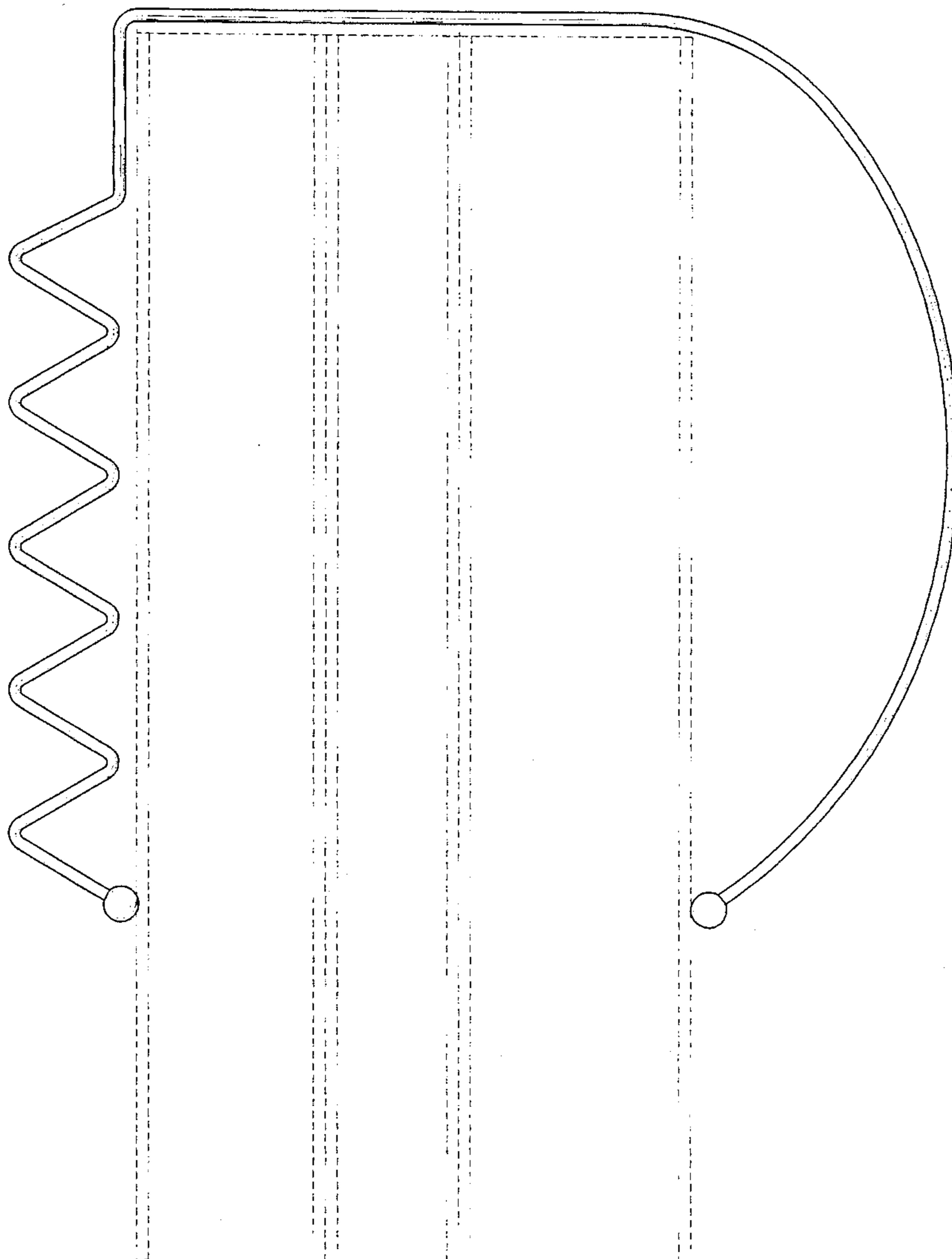


FIG. 1

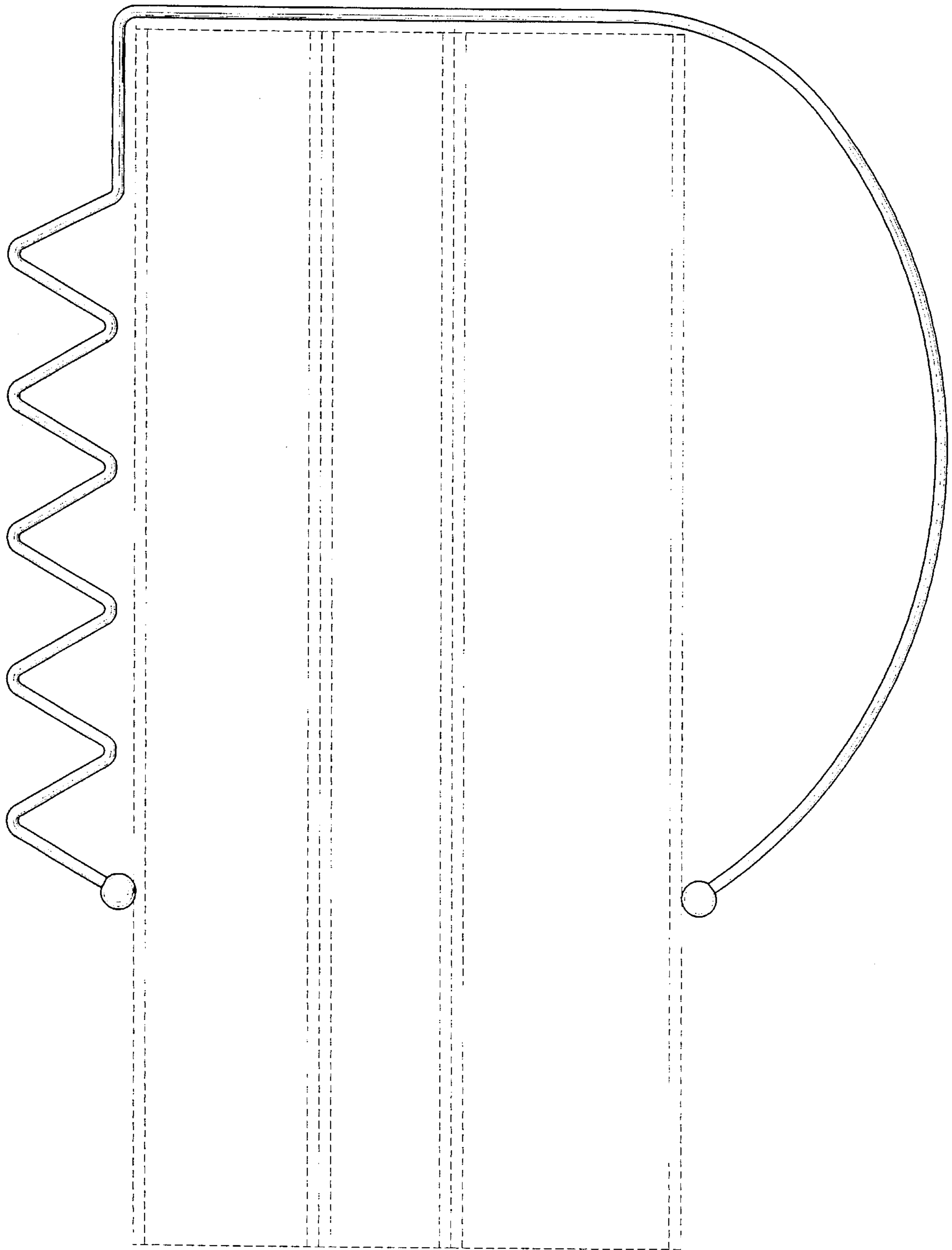


FIG. 2

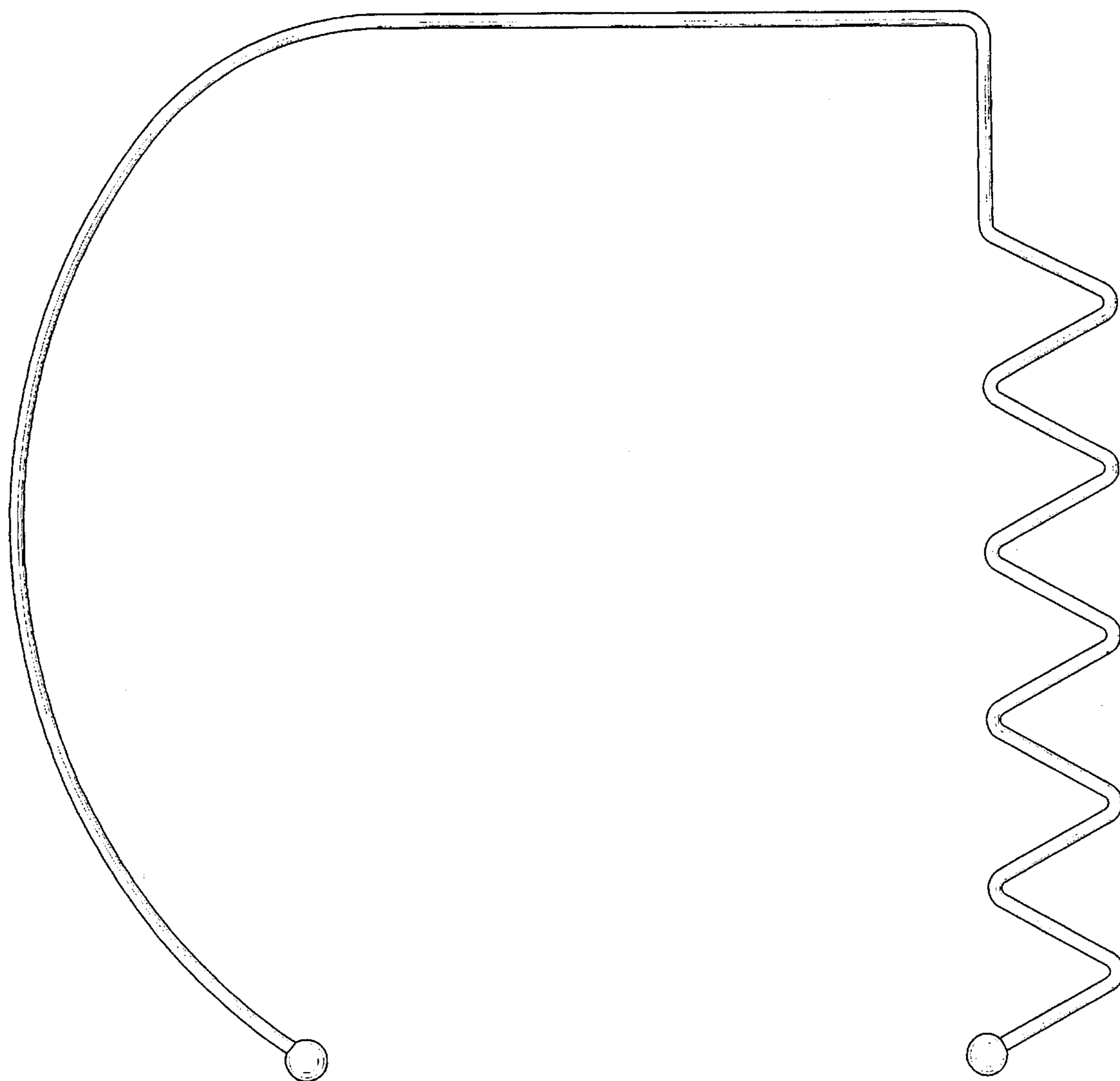


FIG. 3

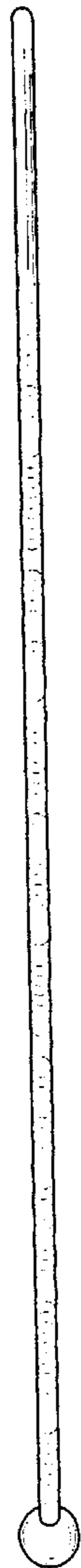


FIG. 4

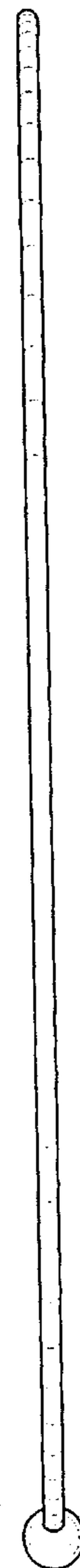


FIG. 5

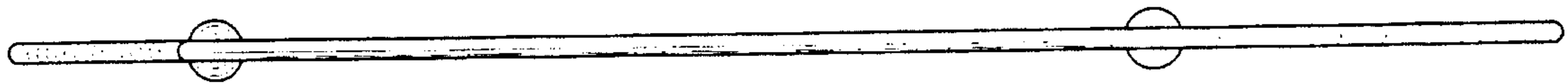


FIG. 6

