



US00D373141S

**United States Patent** [19]  
**Dolbow**

[11] **Patent Number: Des. 373,141**  
[45] **Date of Patent: \*\*Aug. 27, 1996**

[54] **LINE GUIDE INDICATOR**

4,898,115 2/1990 Bowlay-Williams ..... 116/236

[76] Inventor: **Maureen V. Dolbow**, 313 Peach St.,  
Trion, Ga. 30953

**FOREIGN PATENT DOCUMENTS**

4125234 2/1993 Germany ..... 116/239

[\*\*] Term: **14 Years**

*Primary Examiner*—Martie Thompson

[21] Appl. No.: **37,072**

[57] **CLAIM**

[22] Filed: **Apr. 3, 1995**

The ornamental design for a line guide indicator, as shown and described.

[52] **U.S. Cl.** ..... **D19/34; D19/37**

[58] **Field of Search** ..... **D19/34, 35, 37,**  
**D19/39, 40, 65, 99, 100; 281/42; 116/234-240**

**DESCRIPTION**

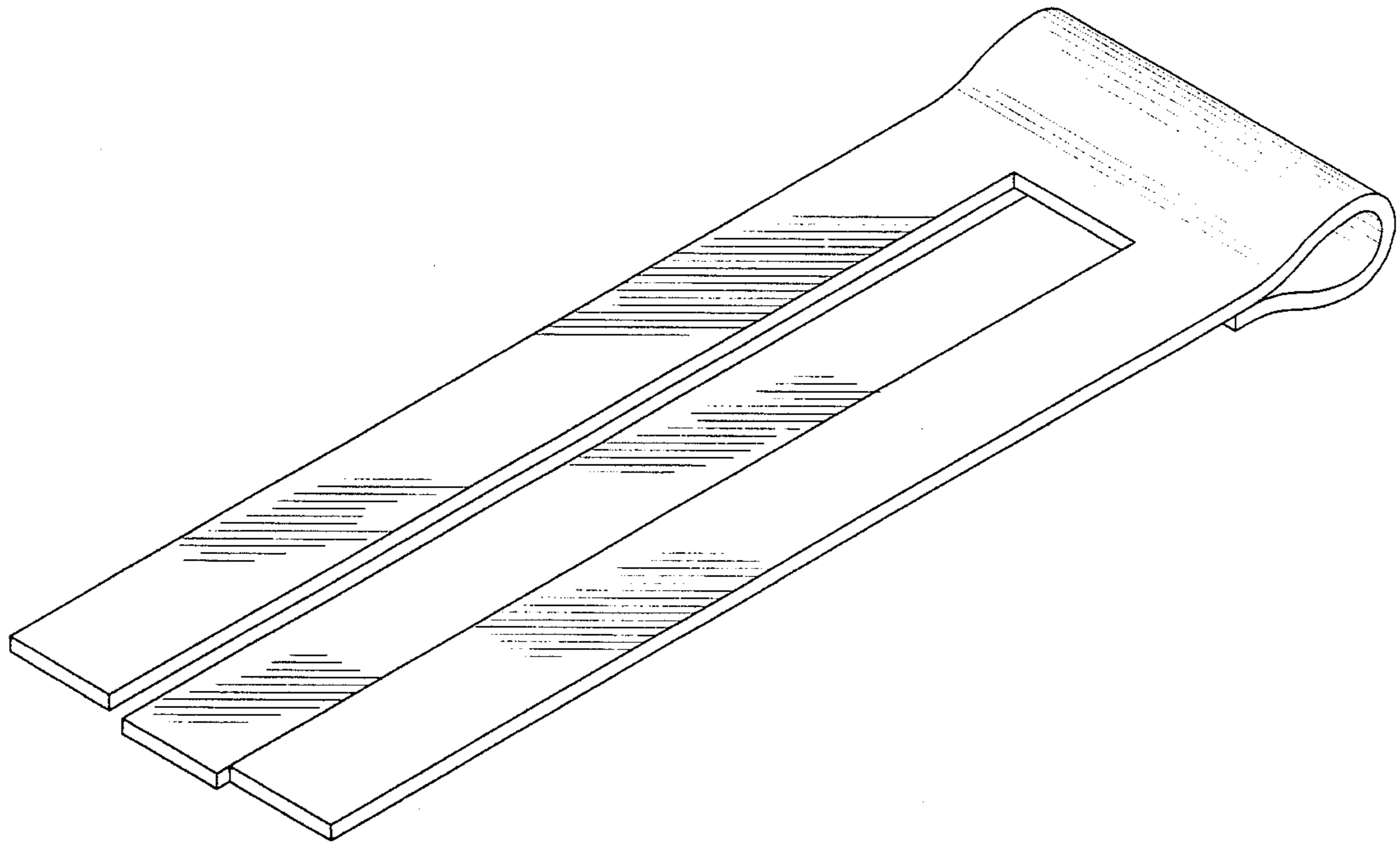
[56] **References Cited**

FIG. 1 is a front elevational view of the line guide indicator showing my new design;  
FIG. 2 is a rear elevational view thereof;  
FIG. 3 is a left side elevational view thereof;  
FIG. 4 is a right side elevational view thereof;  
FIG. 5 is a top plan view thereof;  
FIG. 6 is a bottom plan view thereof;  
FIG. 7 is a top isometric view thereof; and,  
FIG. 8 is a bottom isometric view thereof.

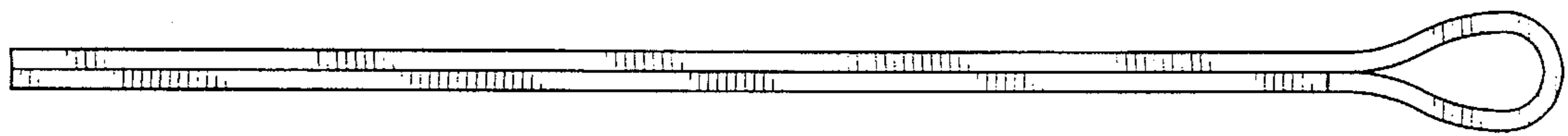
**U.S. PATENT DOCUMENTS**

D. 170,467	9/1953	Kremin	.....	D19/37 X
D. 235,174	5/1975	Gardner	.....	D19/34
D. 362,016	9/1995	Faulkingham	.....	D19/34
399,768	3/1889	Mehrer	.....	116/235
1,353,279	9/1920	Schulthess	.....	116/240
2,585,421	2/1952	Armand	.....	116/235
2,630,777	3/1953	Johnson	.....	116/235
2,861,309	11/1958	Saviolides	.....	116/238 X

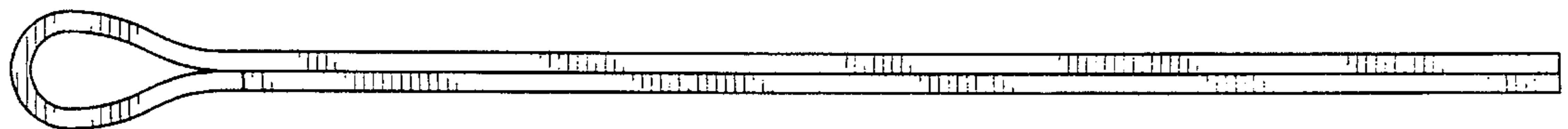
**1 Claim, 4 Drawing Sheets**



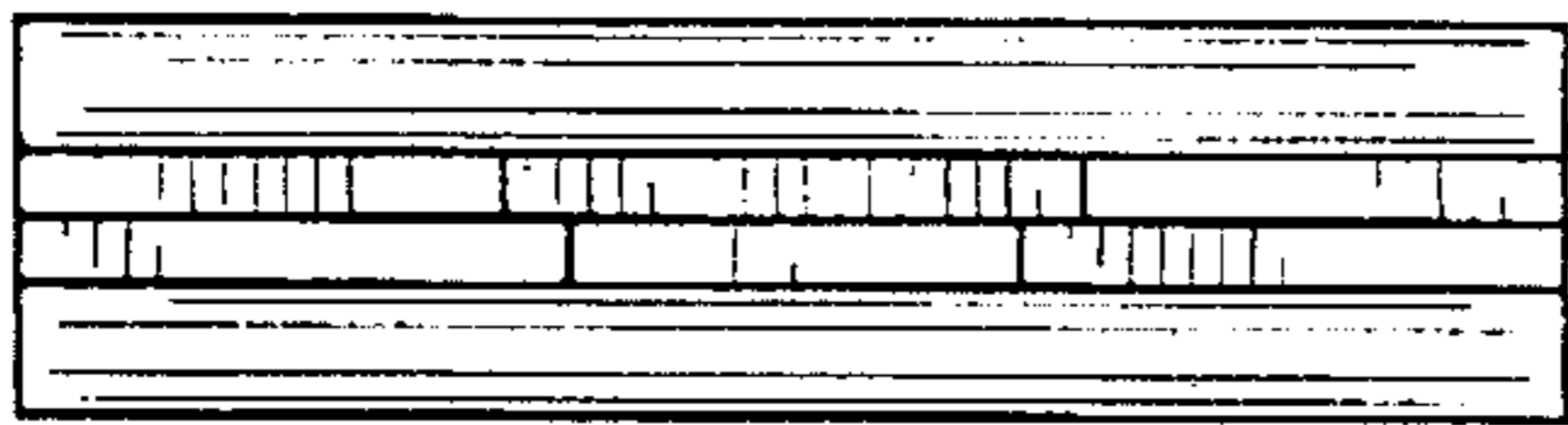
*FIG. 1*



*FIG. 2*



*FIG. 3*



*FIG. 4*

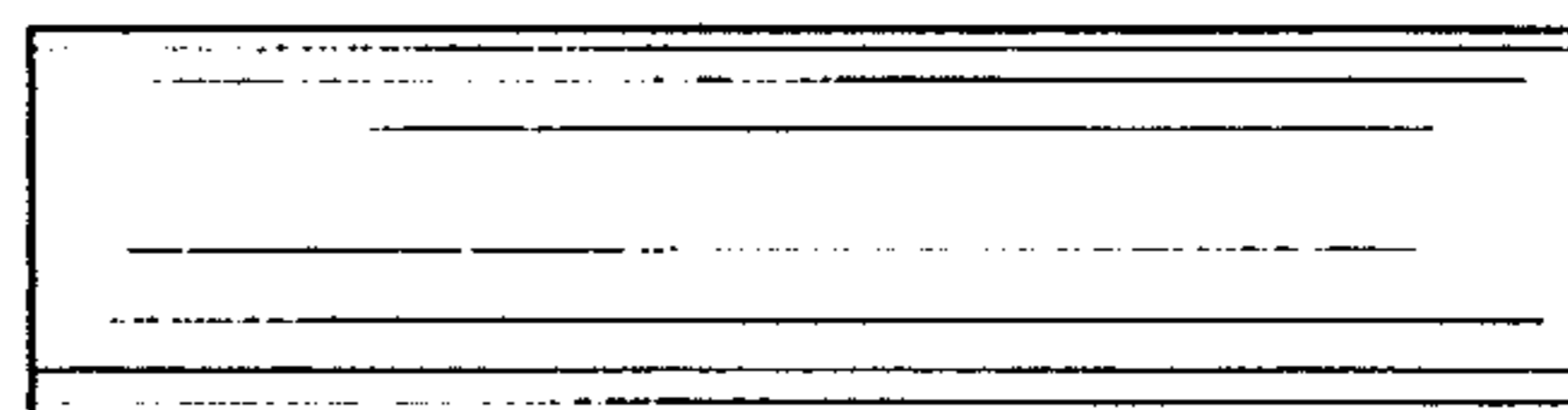


FIG. 5

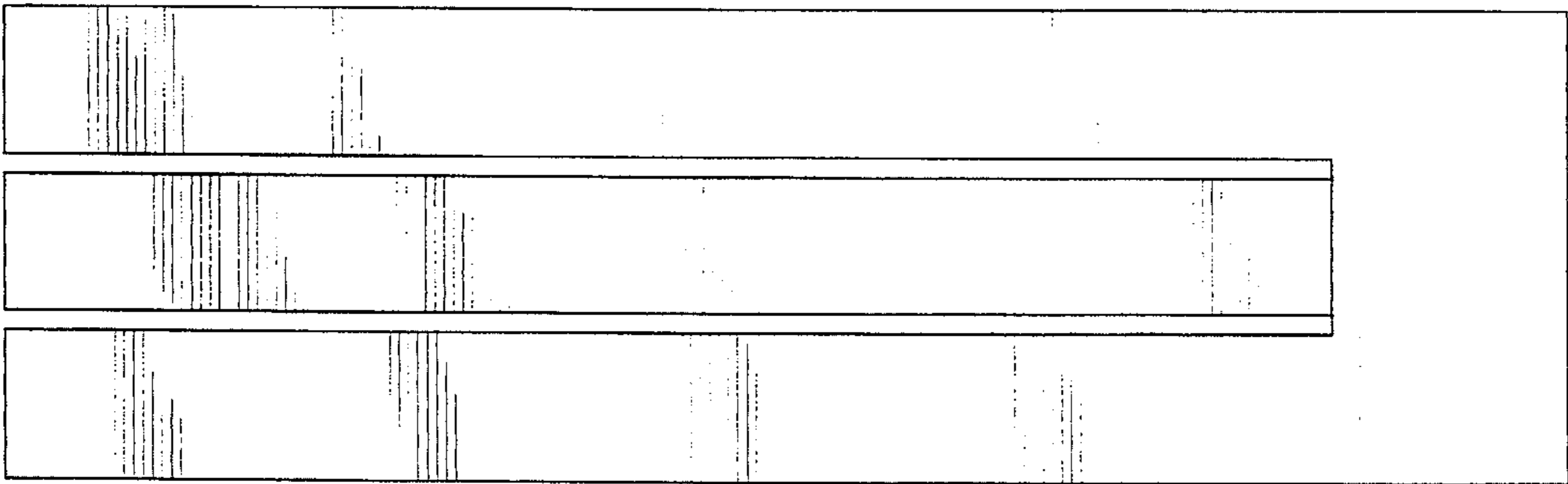


FIG. 6

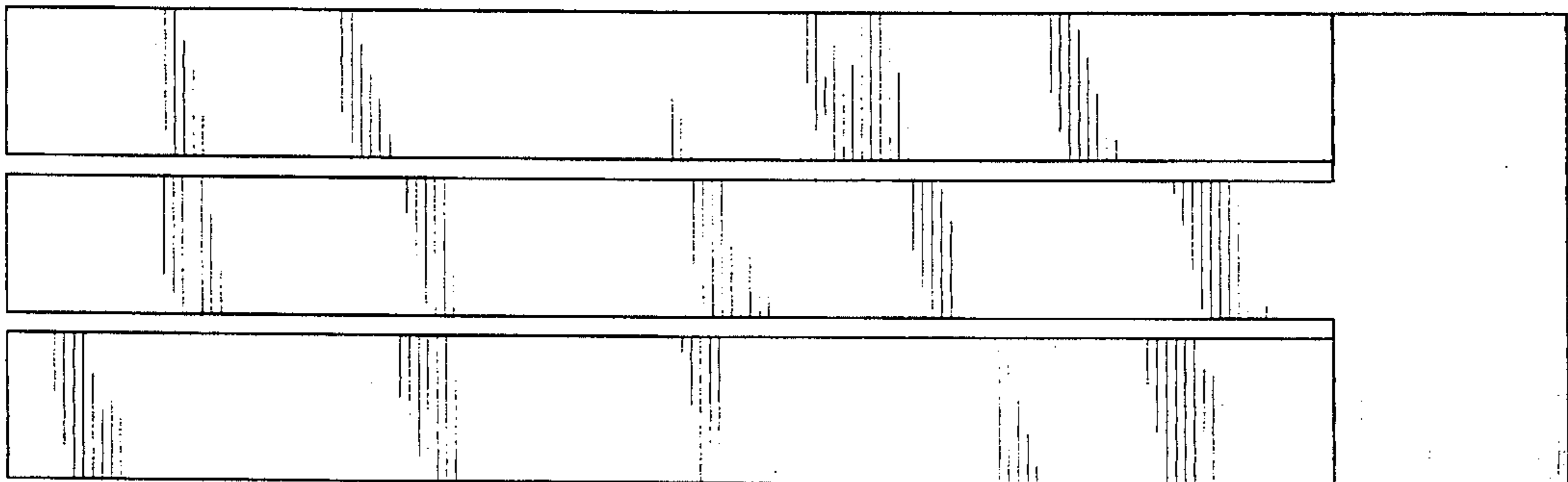


FIG. 7

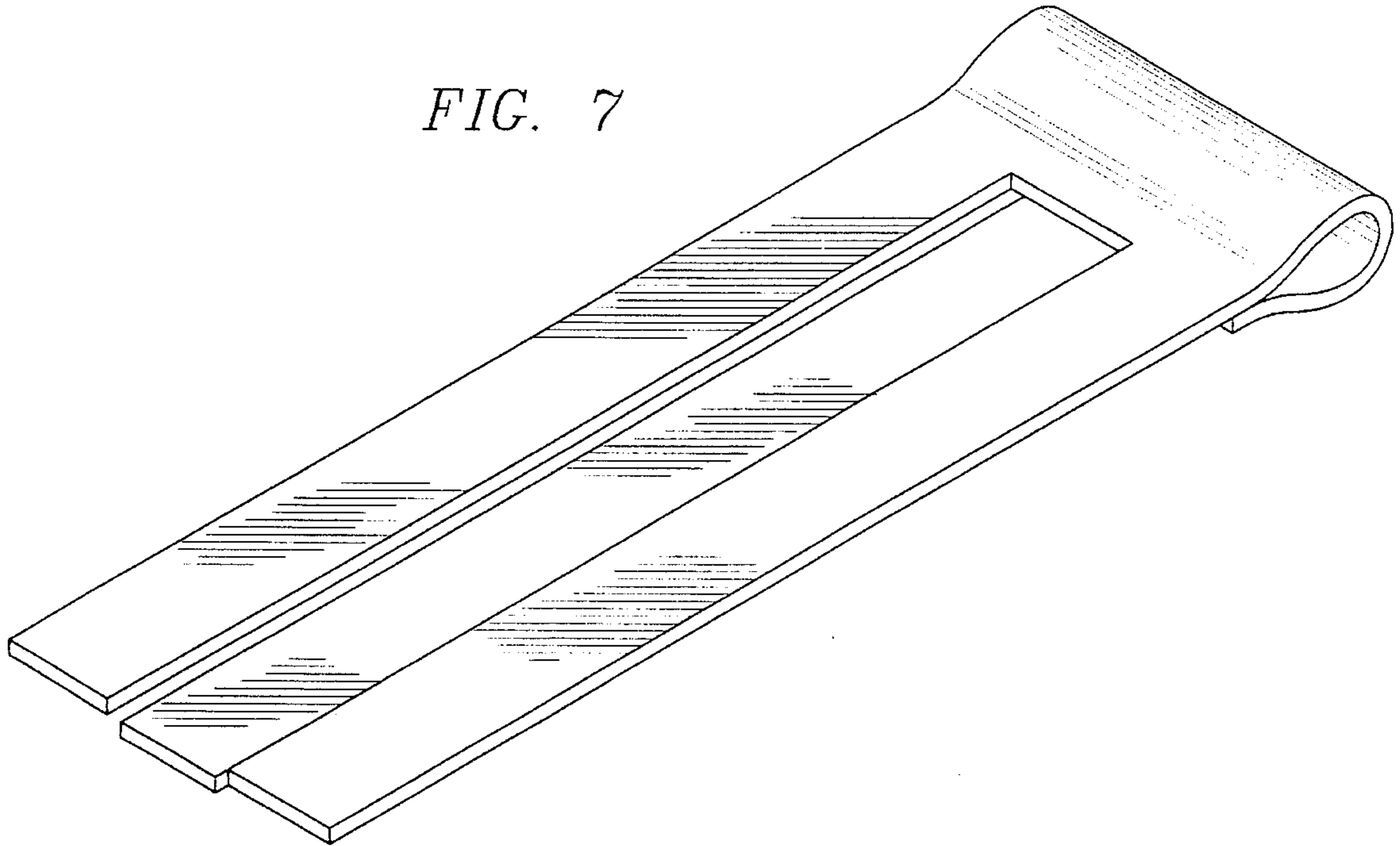


FIG. 8

