



US00D373136S

United States Patent [19]
Goto

[11] **Patent Number: Des. 373,136**
[45] **Date of Patent: **Aug. 27, 1996**

[54] **BRIDGE DEVICE FOR A STRINGED INSTRUMENT**

D. 269,440 6/1983 Fender D17/21
D. 280,525 9/1985 Gressett, Jr. D17/21
4,281,576 8/1981 Fender 84/298

[75] Inventor: **Takao Goto**, Gunmaken, Japan

FOREIGN PATENT DOCUMENTS

[73] Assignee: **Gotoh Gut Yugen Kaisha**, Gunmaken, Japan

2-113790 9/1990 Japan .

[**] Term: **14 Years**

Primary Examiner—Ted Shooman
Assistant Examiner—Adir Aronovich
Attorney, Agent, or Firm—Wenderoth, Lind & Ponack

[21] Appl. No.: **20,308**

[57] **CLAIM**

[22] Filed: **Mar. 24, 1994**

The ornamental design for a bridge device for a stringed instrument, as shown and described.

[30] **Foreign Application Priority Data**

DESCRIPTION

Oct. 6, 1993 [JP] Japan 5-30064

[52] **U.S. Cl.** **D17/21**

[58] **Field of Search** D17/21, 99; 84/267, 84/298, 299, 307

FIG. 1 is a front elevational view of a bridge device for a stringed instrument according to my new design; FIG. 2 is a rear elevational view thereof; FIG. 3 is a top plan view thereof; FIG. 4 is a bottom plan view thereof; FIG. 5 is a left side elevational view thereof; FIG. 6 is a right side elevational view thereof; and, FIG. 7 is a top left perspective view thereof.

[56] **References Cited**

U.S. PATENT DOCUMENTS

D. 256,804 9/1980 Fender D17/21
D. 262,376 12/1981 Carson D17/21
D. 265,835 8/1982 Rickard D17/21

1 Claim, 3 Drawing Sheets

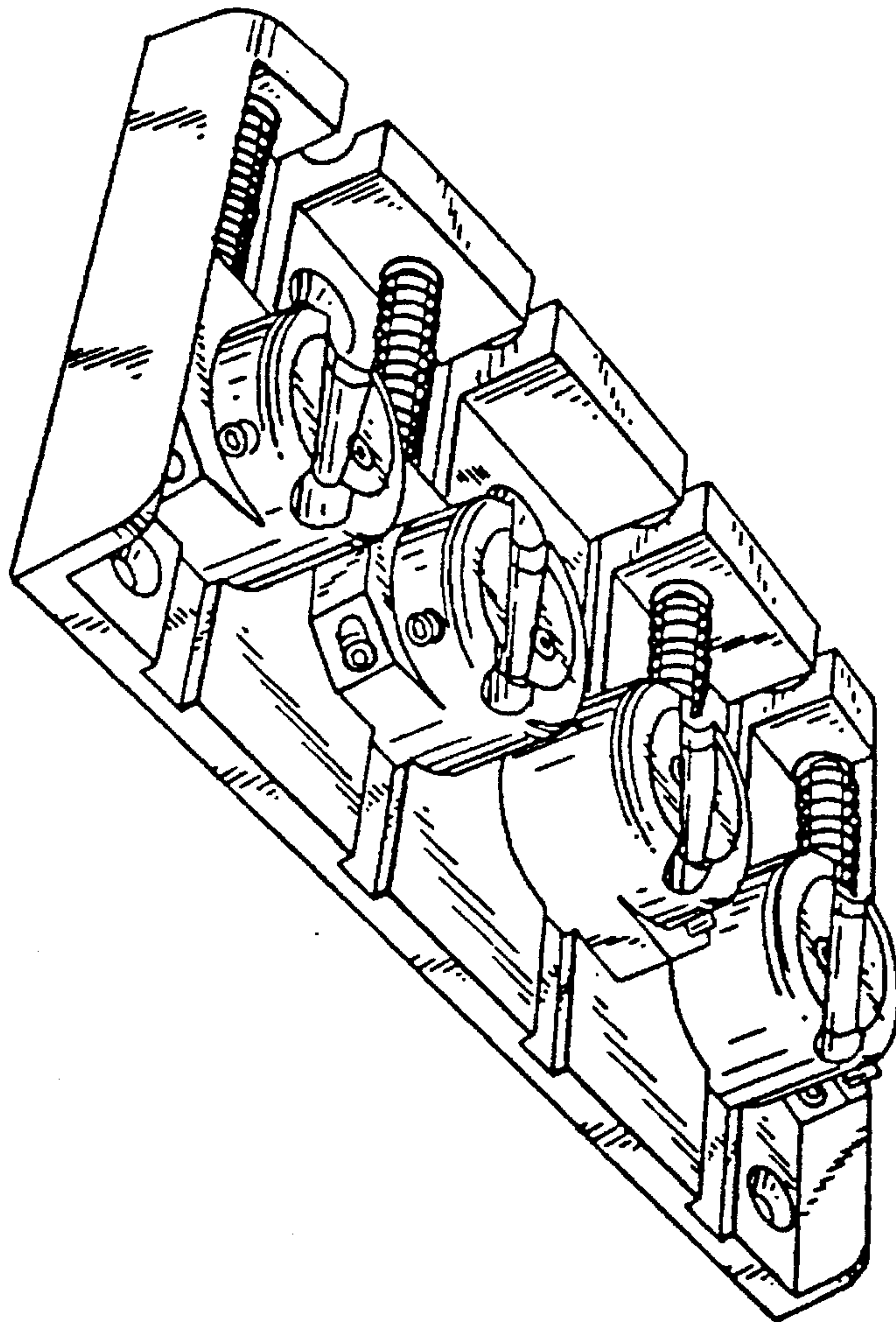


FIG. 1

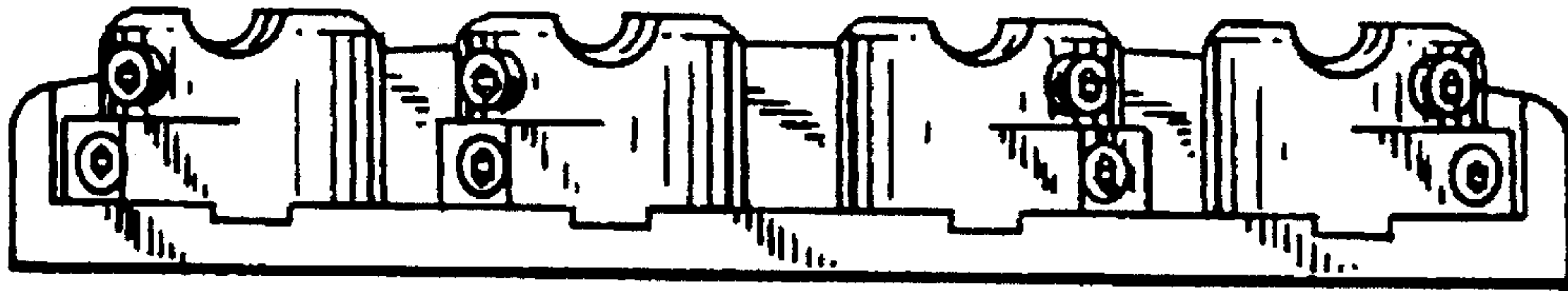


FIG. 2

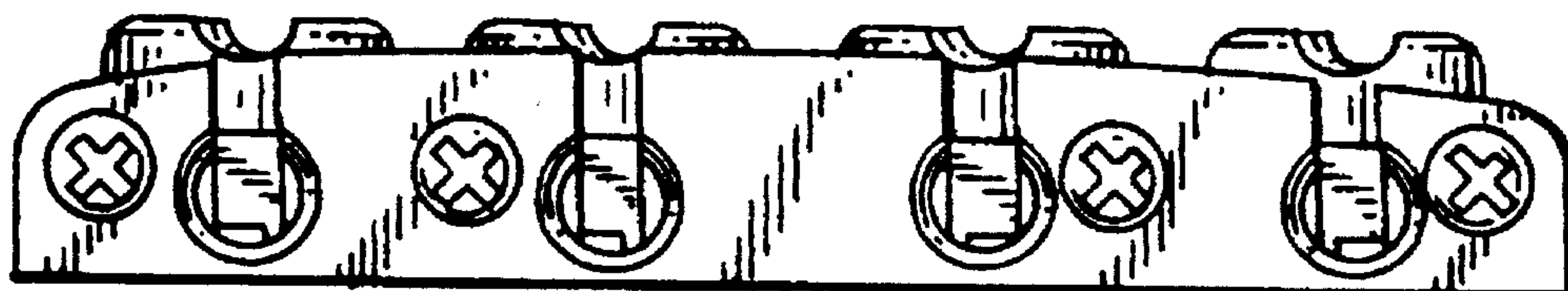


FIG. 3

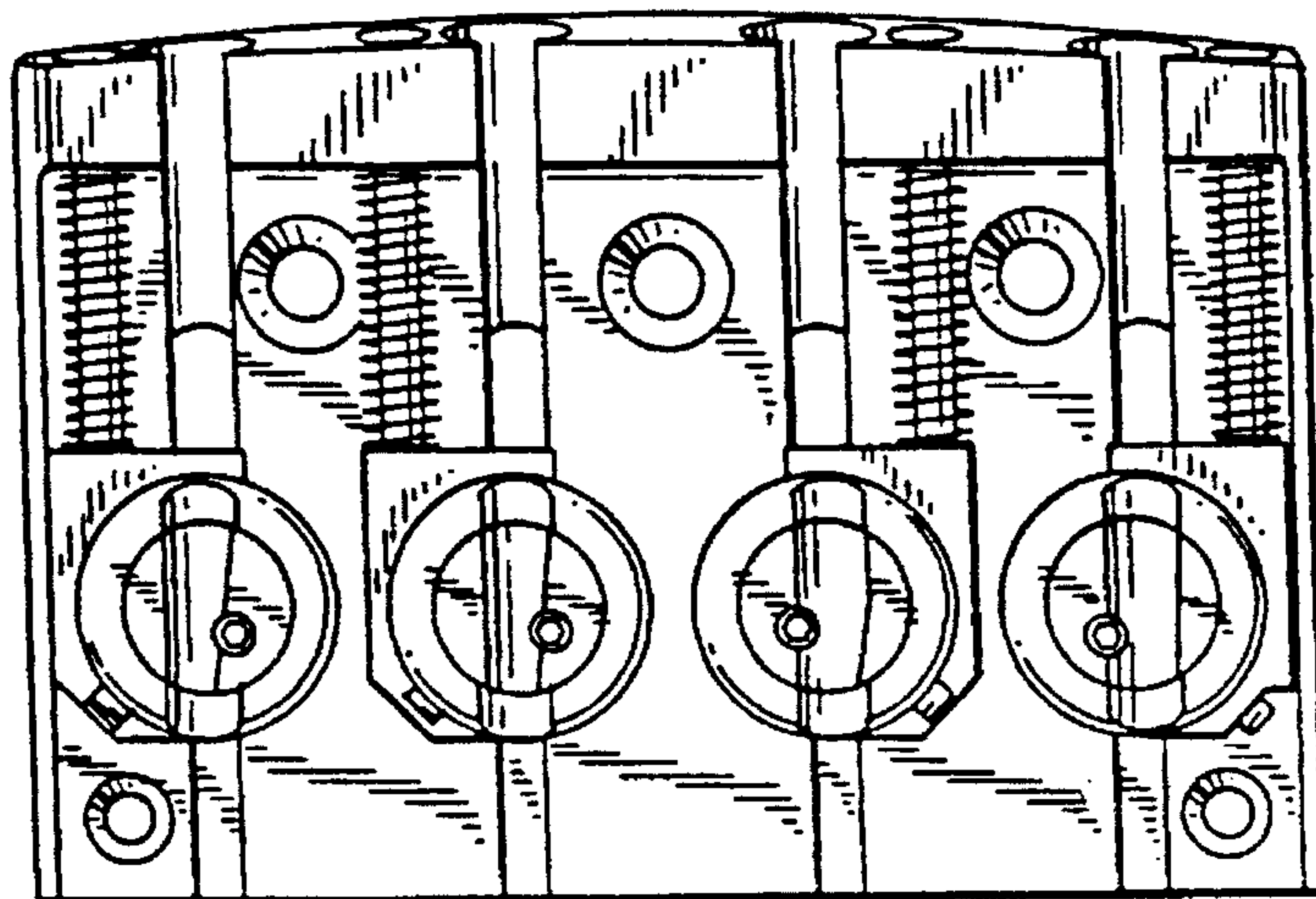


FIG. 4

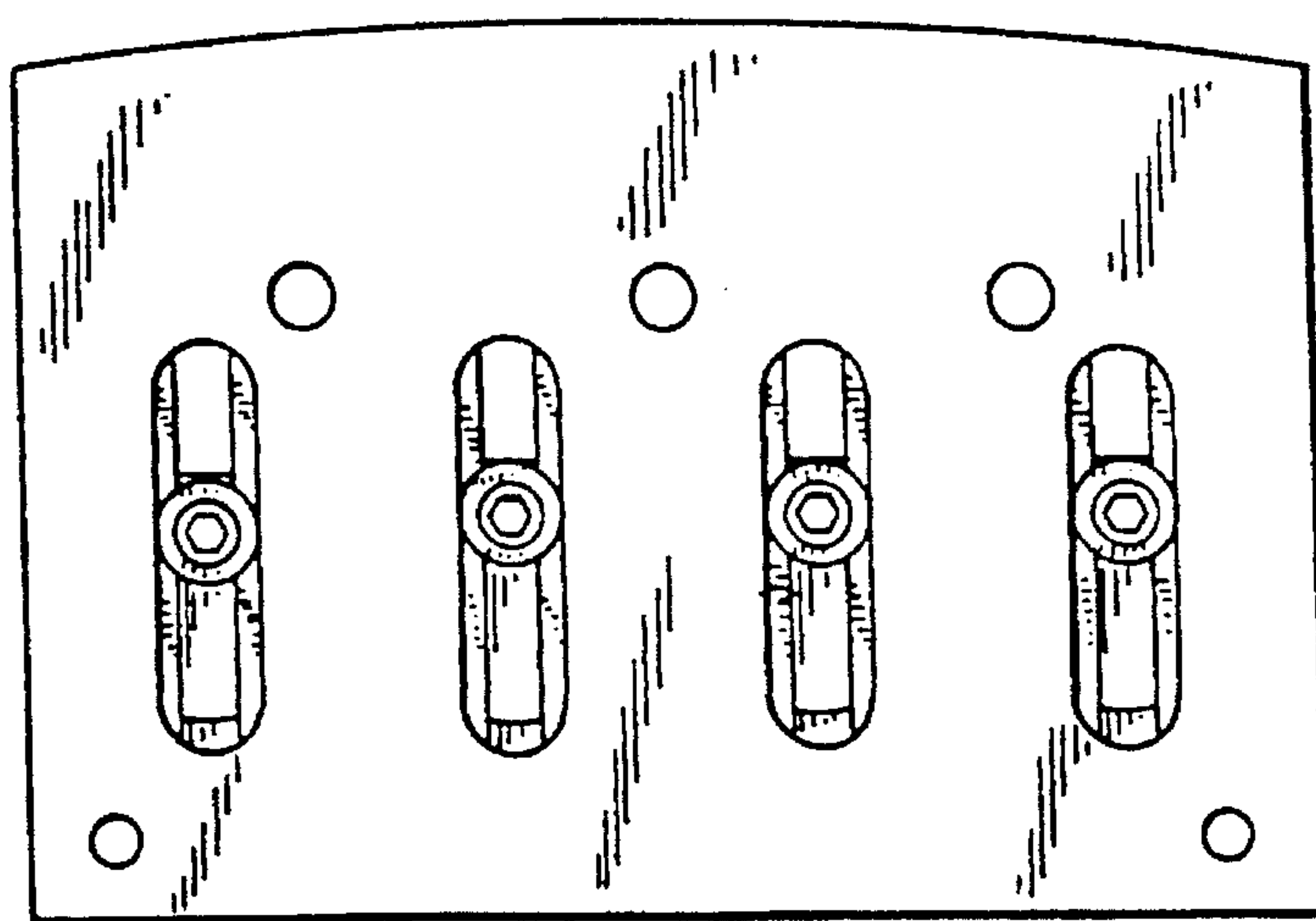


FIG. 5



FIG. 6

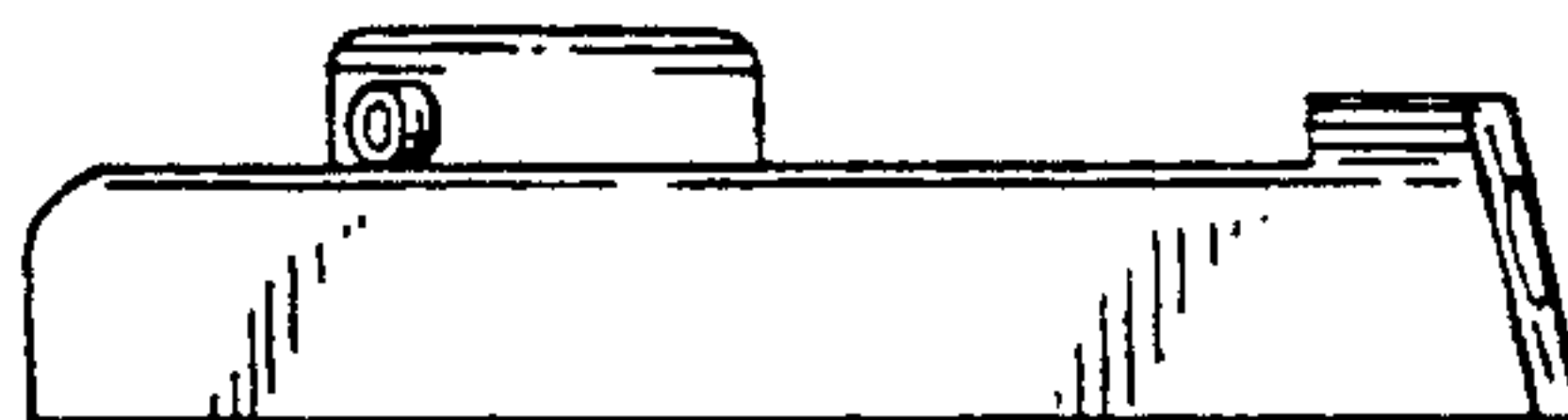


FIG. 7

