



US00D373132S

# United States Patent [19]

Baillie-Hamilton et al.

[11] Patent Number: Des. 373,132

[45] Date of Patent: \*\*Aug. 27, 1996

[54] **DIFFUSER FOR PHOTOGRAPHIC FLASHLAMP**

[76] Inventors: **John W. Baillie-Hamilton**, 9 St Christopher Road, Ellistown, Leicestershire; **Alastair J. Weakley**, 3 South Street, Barrow on Soar, Leicestershire, LE12 8LY, both of United Kingdom

3,724,346 4/1973 Armstrong ..... 362/18  
 4,446,506 5/1984 Larson ..... 362/346 X  
 4,807,089 2/1989 Nüssli ..... 362/17  
 5,023,756 6/1991 Register ..... 362/16  
 5,311,409 5/1994 King ..... 362/343 X

Primary Examiner—Susan J. Lucas

[\*\*] Term: 14 Years

### [57] CLAIM

The ornamental design for a diffuser for photographic flash lamp, as shown and described.

[21] Appl. No.: 27,556

### DESCRIPTION

[22] Filed: Aug. 24, 1994

[52] U.S. Cl. .... D16/237; D26/118

[58] Field of Search ..... D26/113, 118, D26/128-137; 362/16, 17, 18, 341, 343, 346, 351, 352; D16/237, 239

FIG. 1 is a perspective view from behind and to the side of the article fitted to a flashlamp;  
 FIG. 2 is a perspective view from behind and to the side;  
 FIG. 3 is a side elevation of the article fitted to a flashlamp;  
 FIG. 4 is a perspective view from above and to the side of the article fitted to a flashlamp;  
 FIG. 5 is a perspective view from above and to the side; and,  
 FIG. 6 is an exploded view from behind.

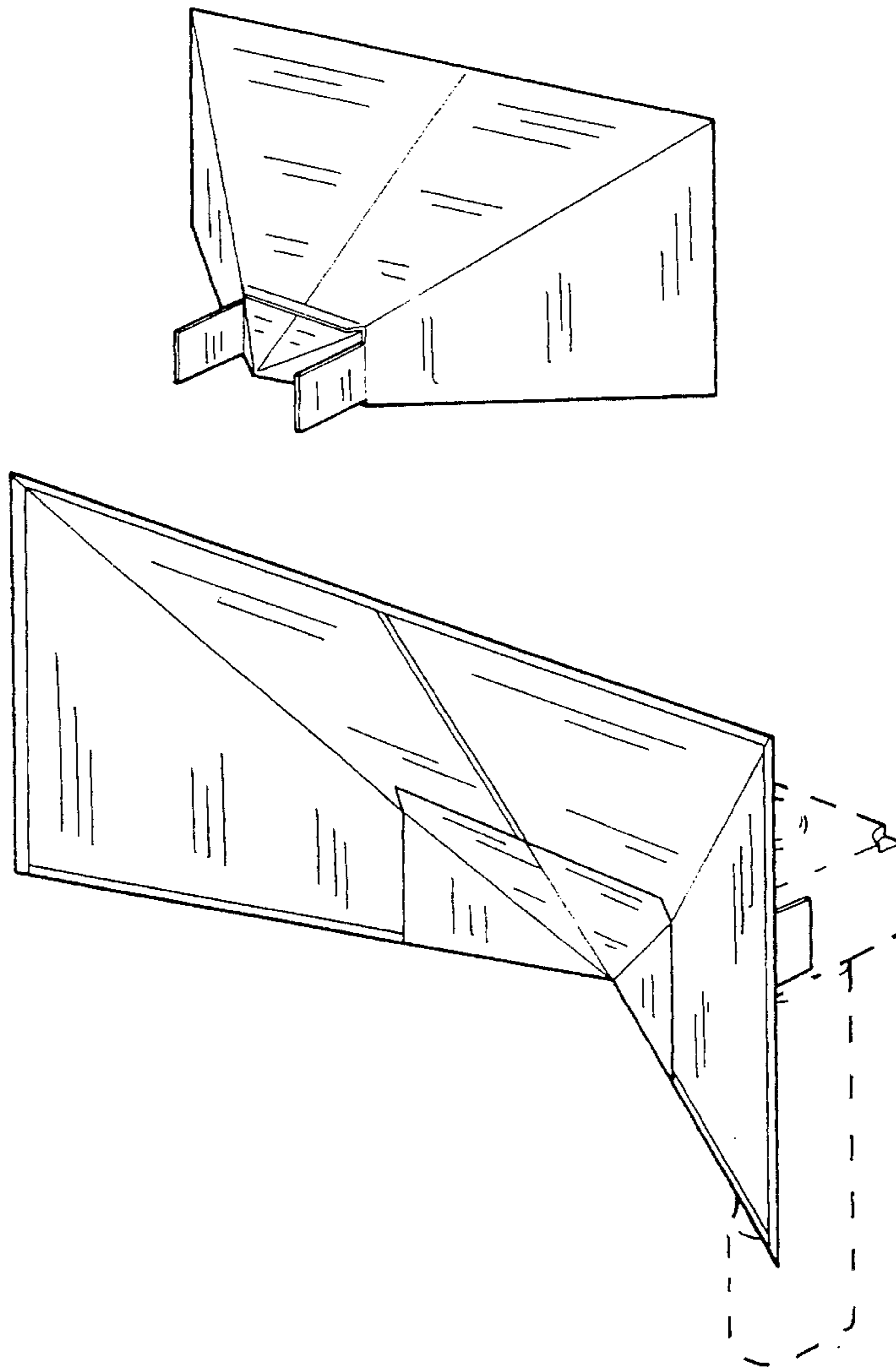
The flashlamp is shown in broken lines for illustrative purposes only and forms no part of the claimed design.

### [56] References Cited

#### U.S. PATENT DOCUMENTS

D. 312,471 11/1990 Couch ..... D16/237 X  
 D. 342,273 12/1993 Couch ..... D16/237

1 Claim, 4 Drawing Sheets



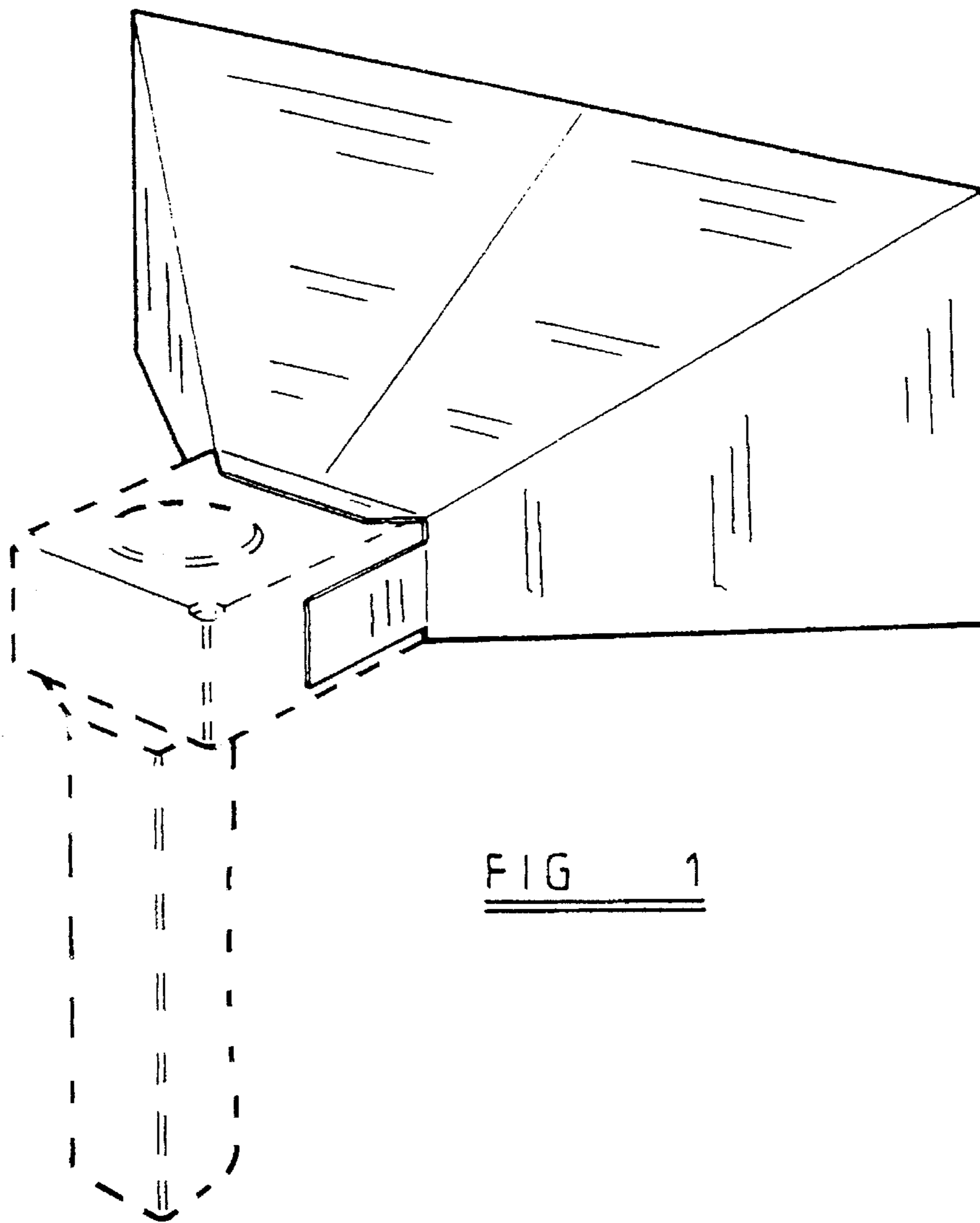


FIG 1

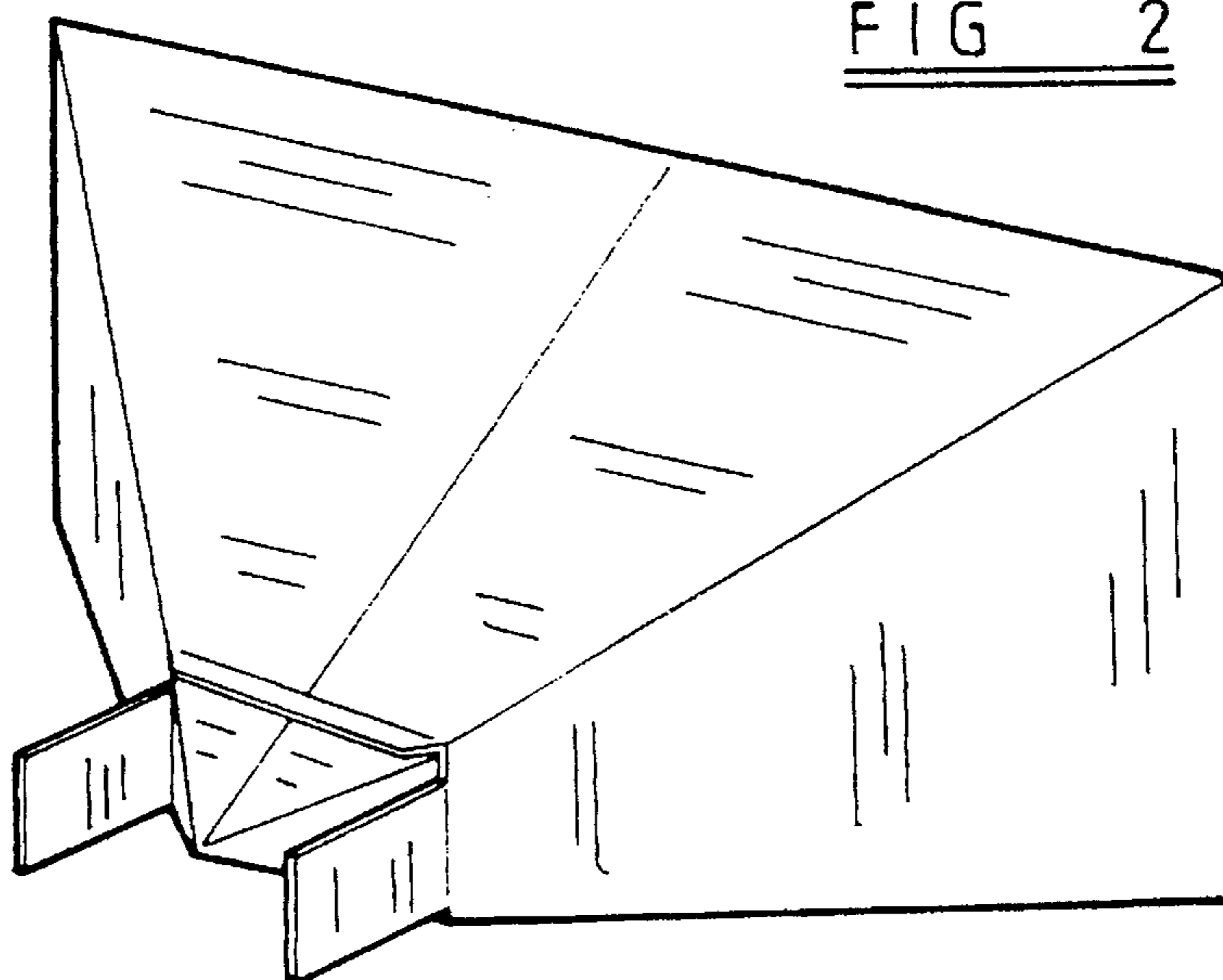
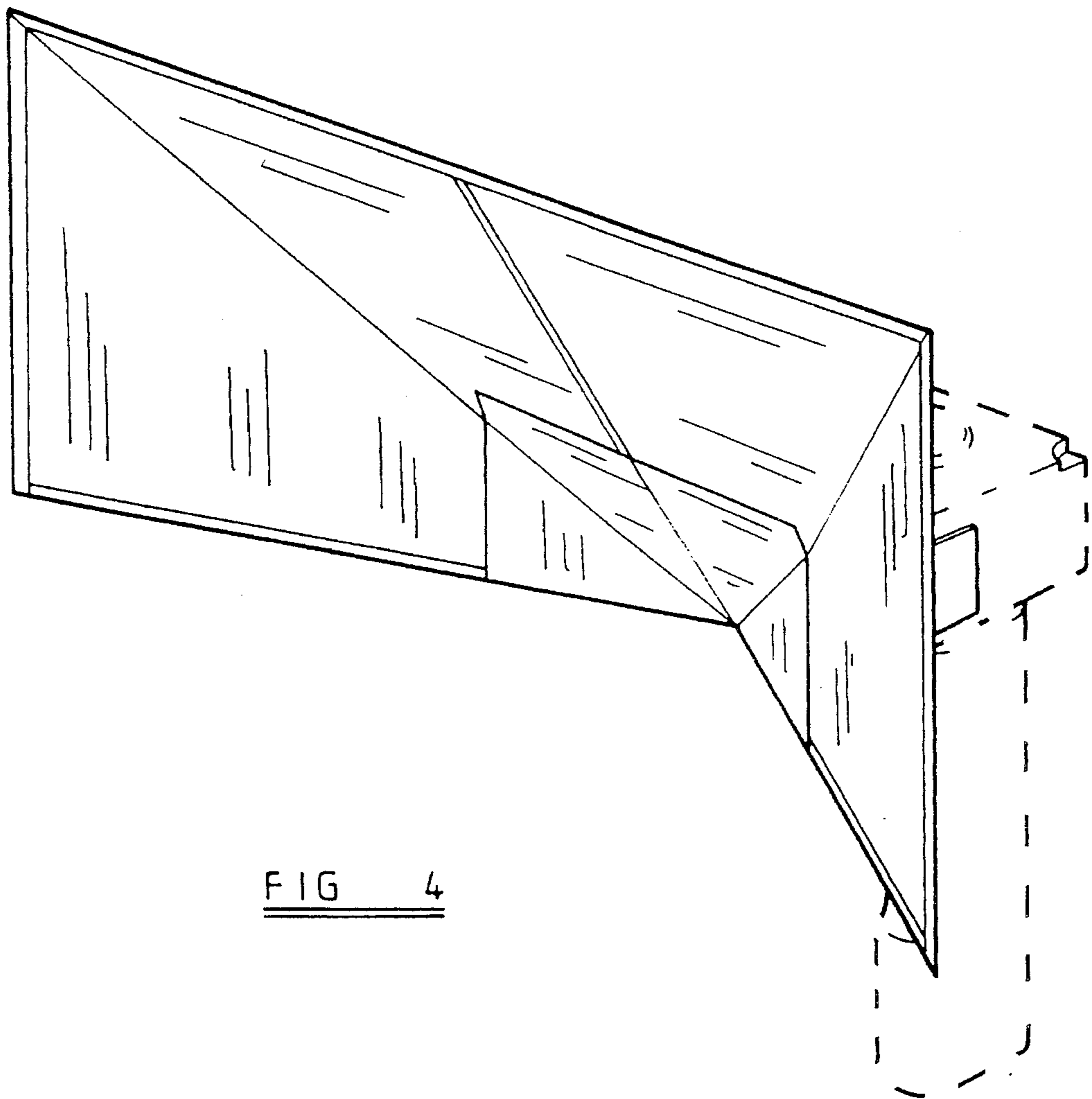
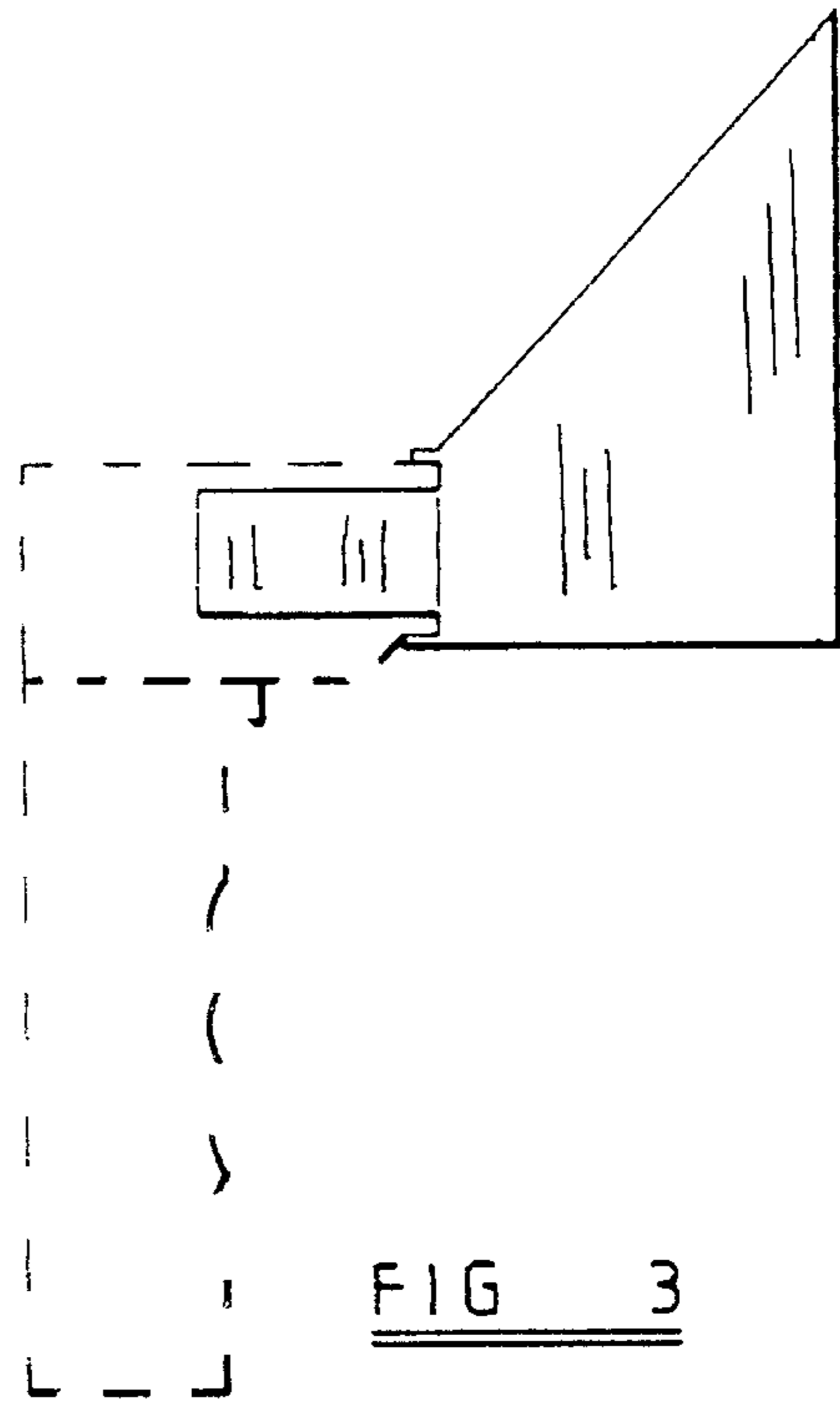


FIG 2



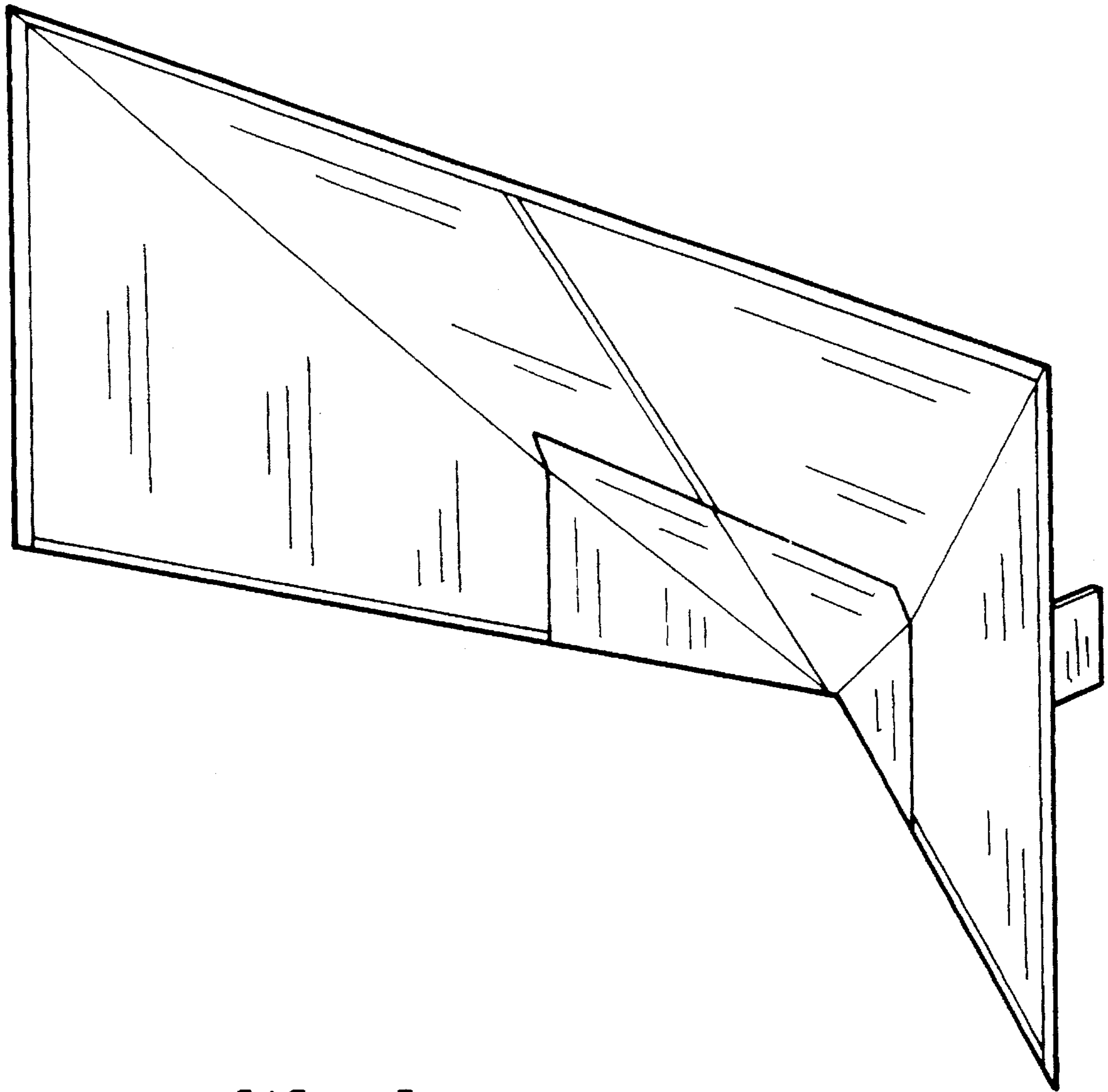


FIG 5

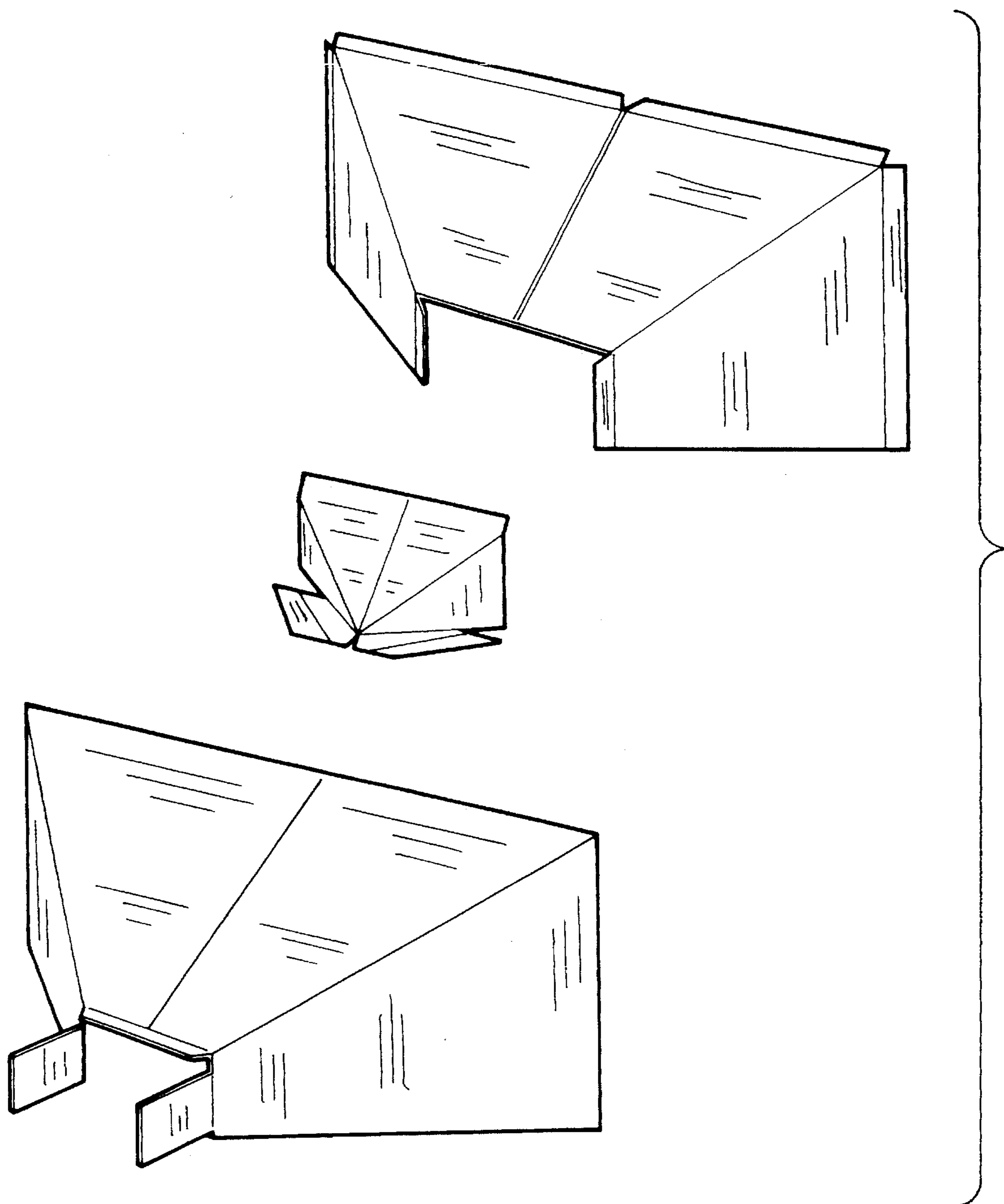


FIG 6