



US00D373131S

United States Patent [19]

[11] Patent Number: Des. 373,131

Akaiwa et al.

[45] Date of Patent: *** Aug. 27, 1996

[54] DATA IMPRINTING DEVICE FOR A CAMERA

5-150321 6/1993 Japan 354/288

[75] Inventors: Masao Akaiwa; Shinobu Nakazawa, both of Suwa, Japan

[73] Assignee: Seiko Epson Corporation, Tokyo, Japan

[*] Notice: The portion of the term of this patent subsequent to Apr. 23, 2010, has been disclaimed.

[**] Term: 14 Years

[21] Appl. No.: 37,523

[22] Filed: Apr. 17, 1995

[30] Foreign Application Priority Data

Oct. 25, 1994	[JP]	Japan	6-32418
Oct. 25, 1994	[JP]	Japan	6-32419

[52] U.S. Cl. D16/219

[58] Field of Search D16/219, 237; 354/105, 106, 295, 288

[56] References Cited

U.S. PATENT DOCUMENTS

D. 297,644	9/1988	Sugiyama et al.	D16/219
4,182,559	1/1980	Driscoll et al.	354/105
5,003,329	3/1991	Itabashi	354/106
5,034,836	7/1991	DeMarti, Jr. et al.	354/105

FOREIGN PATENT DOCUMENTS

5-150316 6/1993 Japan 354/105

OTHER PUBLICATIONS

“Camera Lens Hyakka (Encyclopedia)” *Shashin Kogyo Shuppansha*, Mar. 20, 1991, p. 166.

Primary Examiner—Ted Shooman
Assistant Examiner—Adir Aronovich
Attorney, Agent, or Firm—Oliff & Berridge

[57] CLAIM

The ornamental design for a data imprinting device for a camera, as shown and described.

DESCRIPTION

FIG. 1 is a top, front and right side perspective view of a data imprinting device for a camera showing our new design; FIG. 2 is a front view thereof; FIG. 3 is a top plan view thereof; FIG. 4 is a right side view thereof; FIG. 5 is a left side view thereof; FIG. 6 is a rear view thereof; FIG. 7 is a bottom plan view thereof; FIG. 8 is a top, front and right side perspective view of the second embodiment showing our new design; FIG. 9 is a front view thereof; FIG. 10 is a top plan view thereof; FIG. 11 is a right side view thereof; FIG. 12 is a left side view thereof; and, FIG. 13 is a rear view thereof.

The undisclosed bottom view of the second embodiment is identical to that shown in FIG. 7 of the first embodiment.

1 Claim, 4 Drawing Sheets

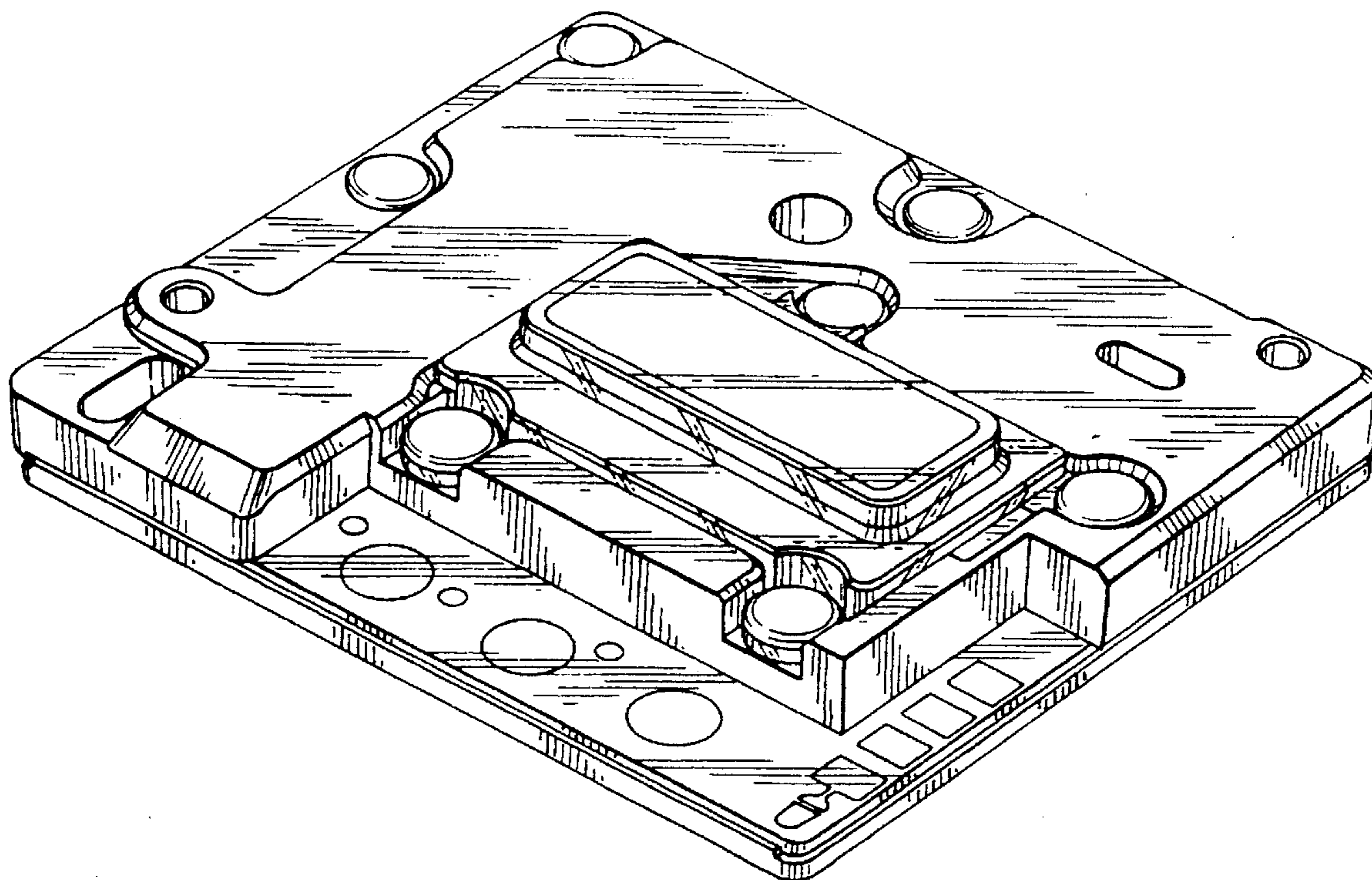


FIG. 1

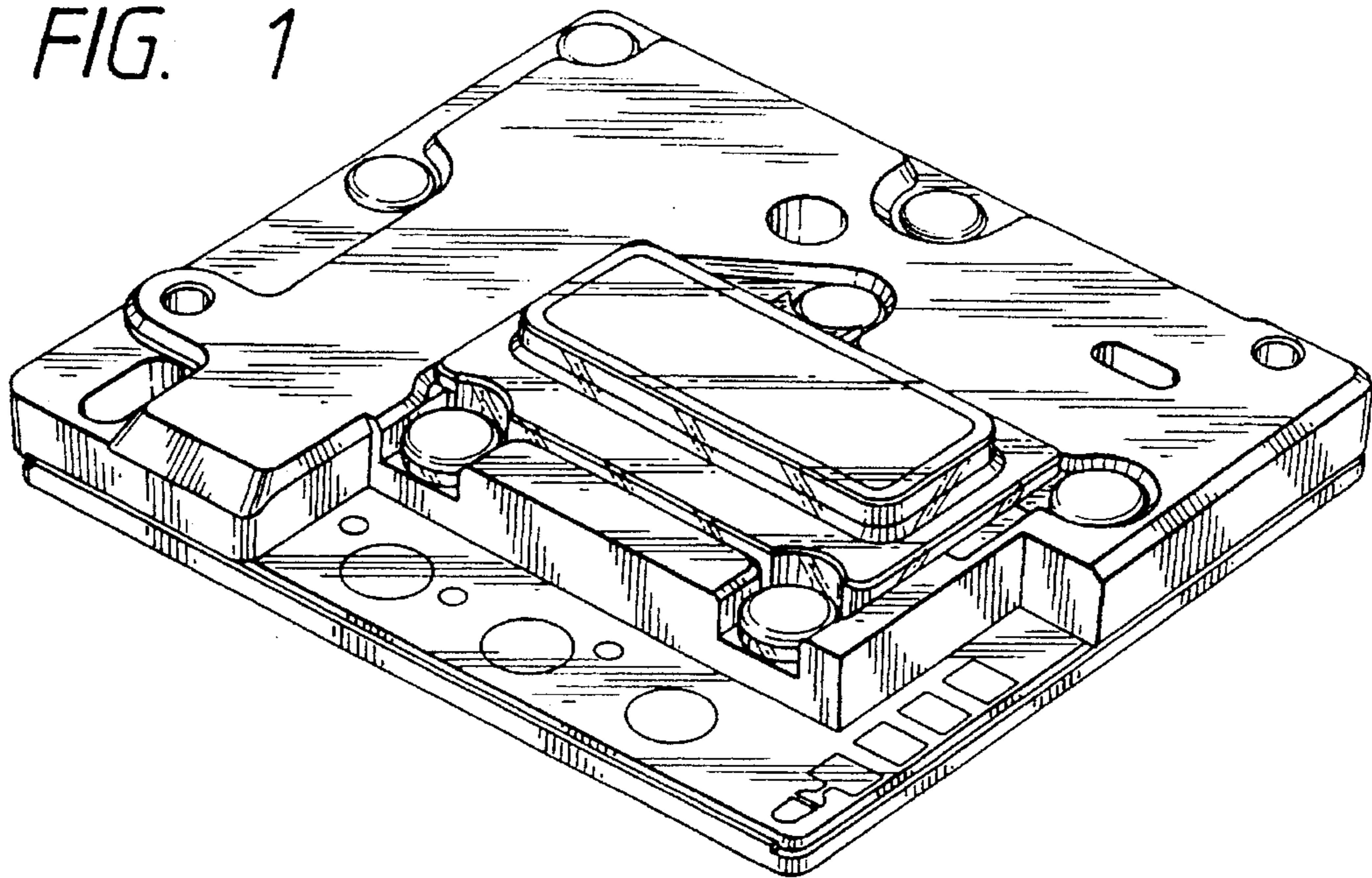


FIG. 2

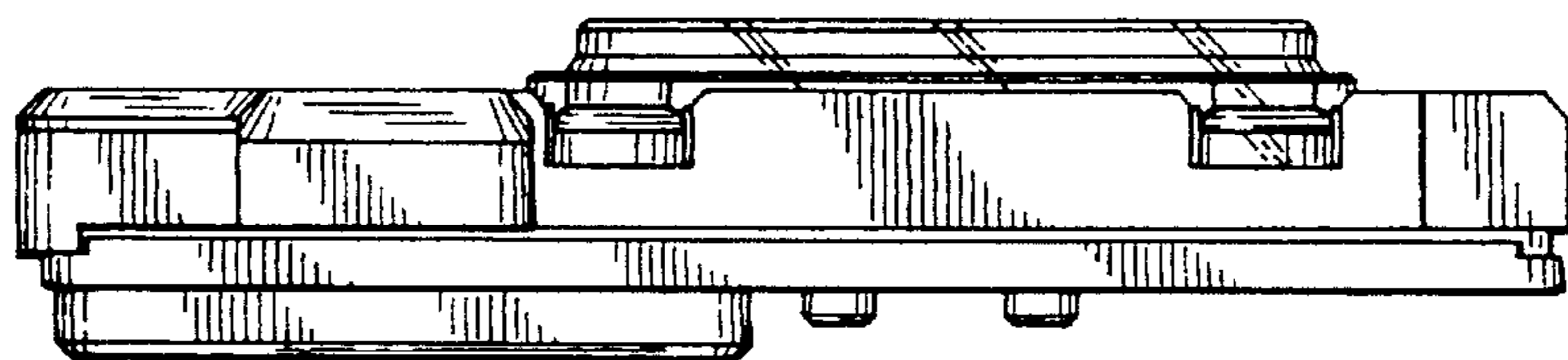


FIG. 3

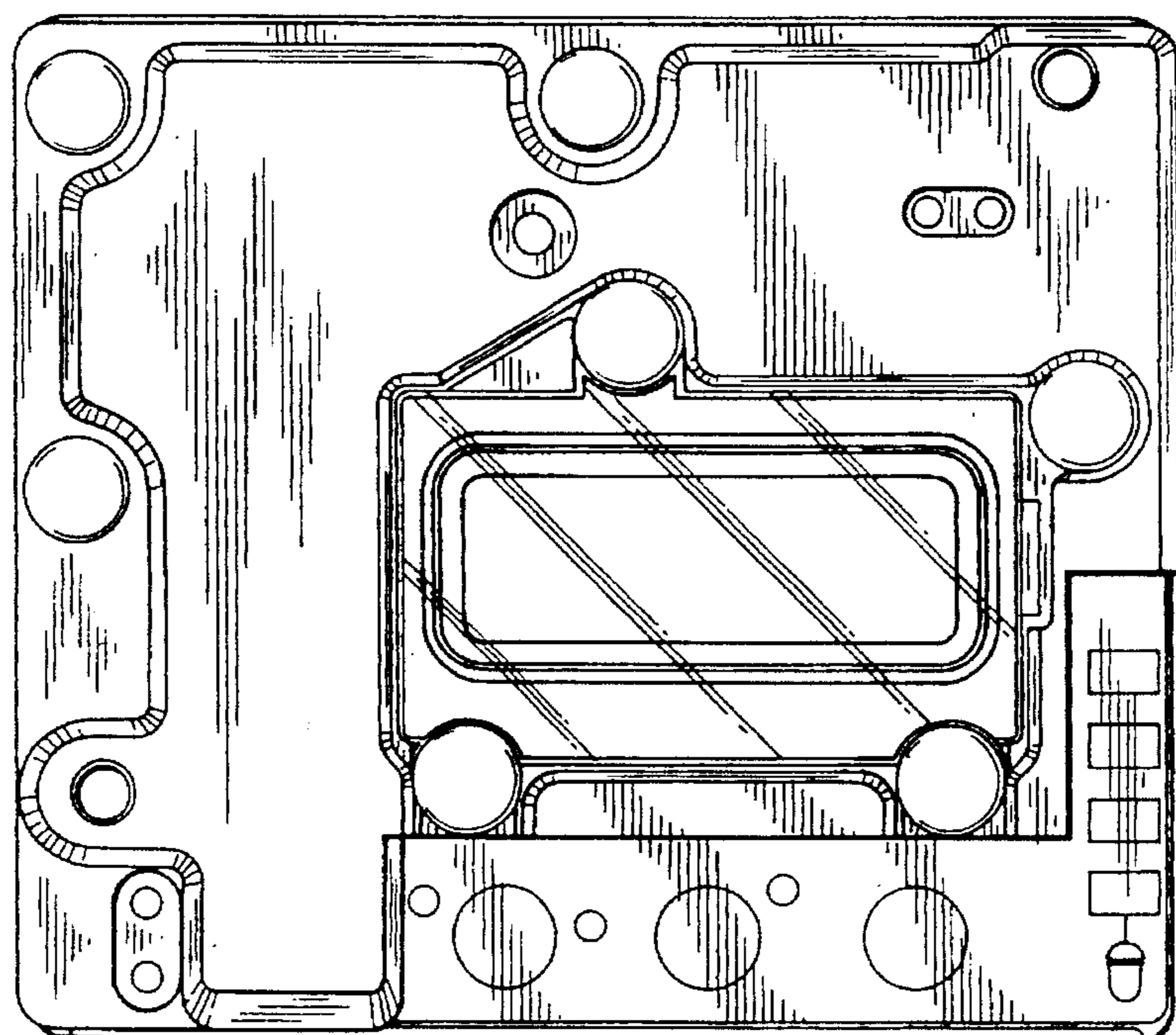


FIG. 4

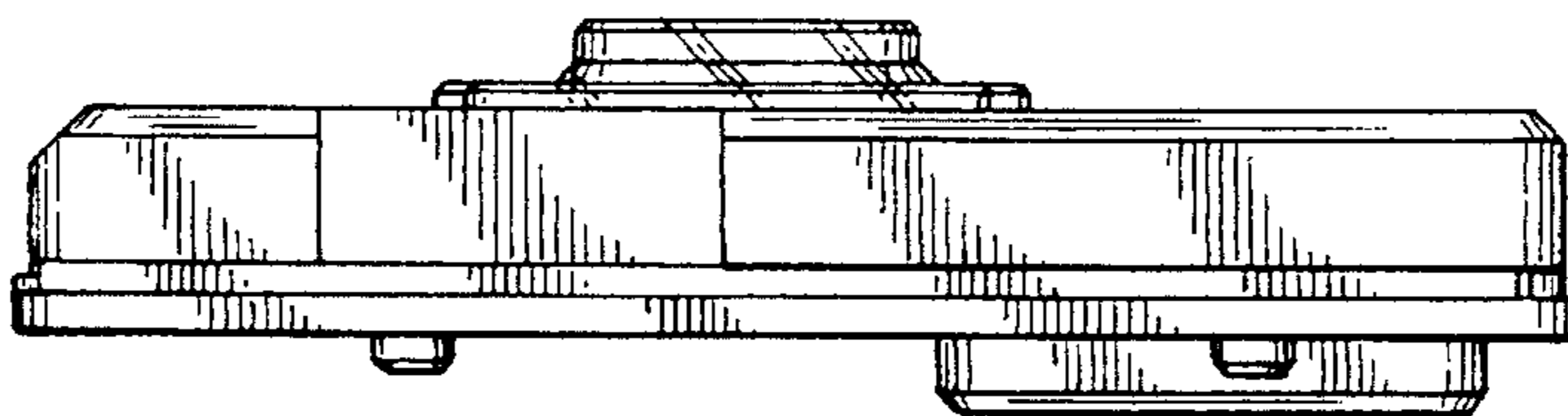


FIG. 5

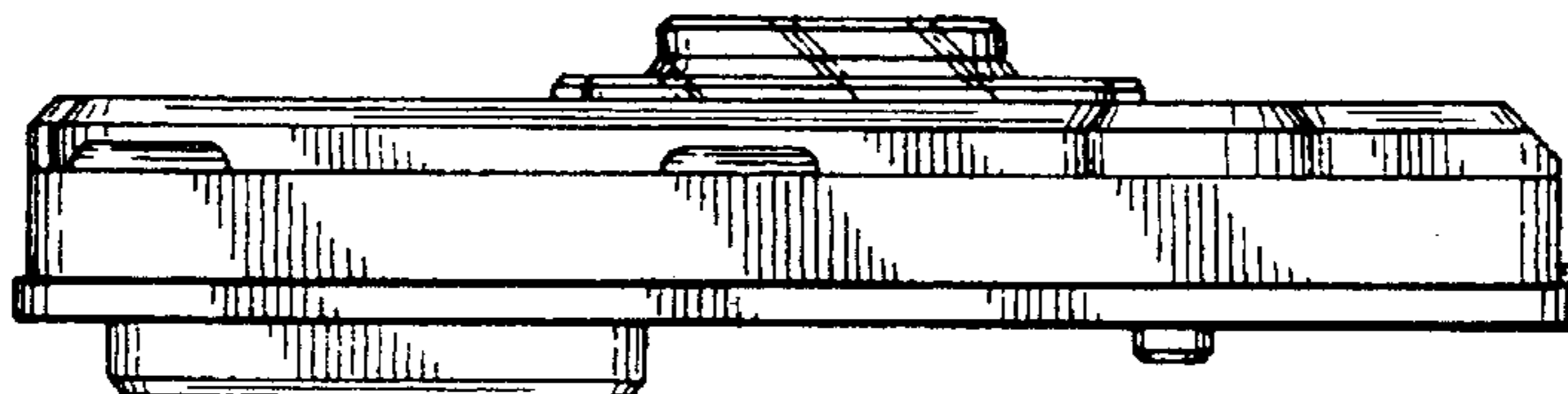


FIG. 6

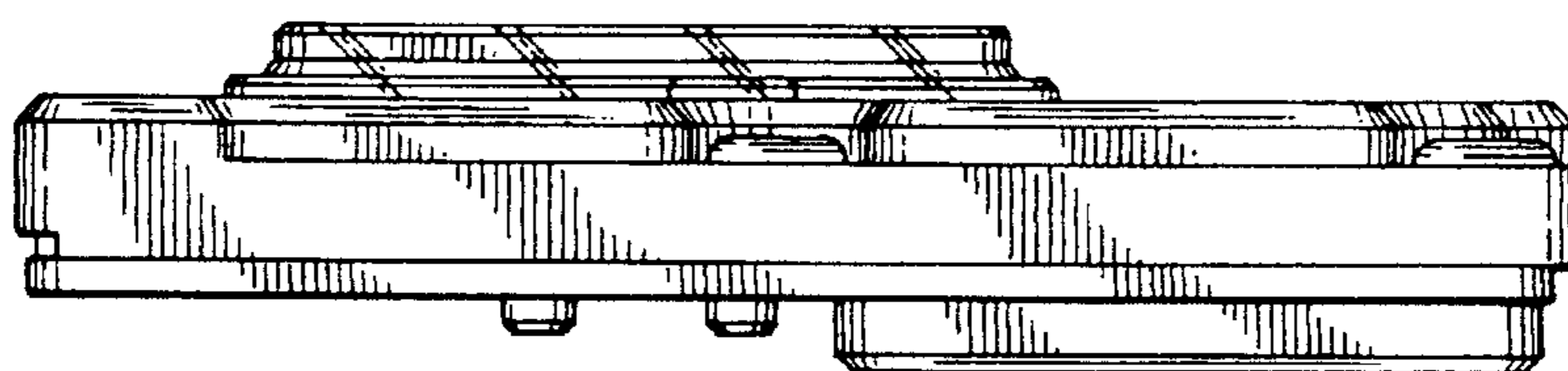


FIG. 7

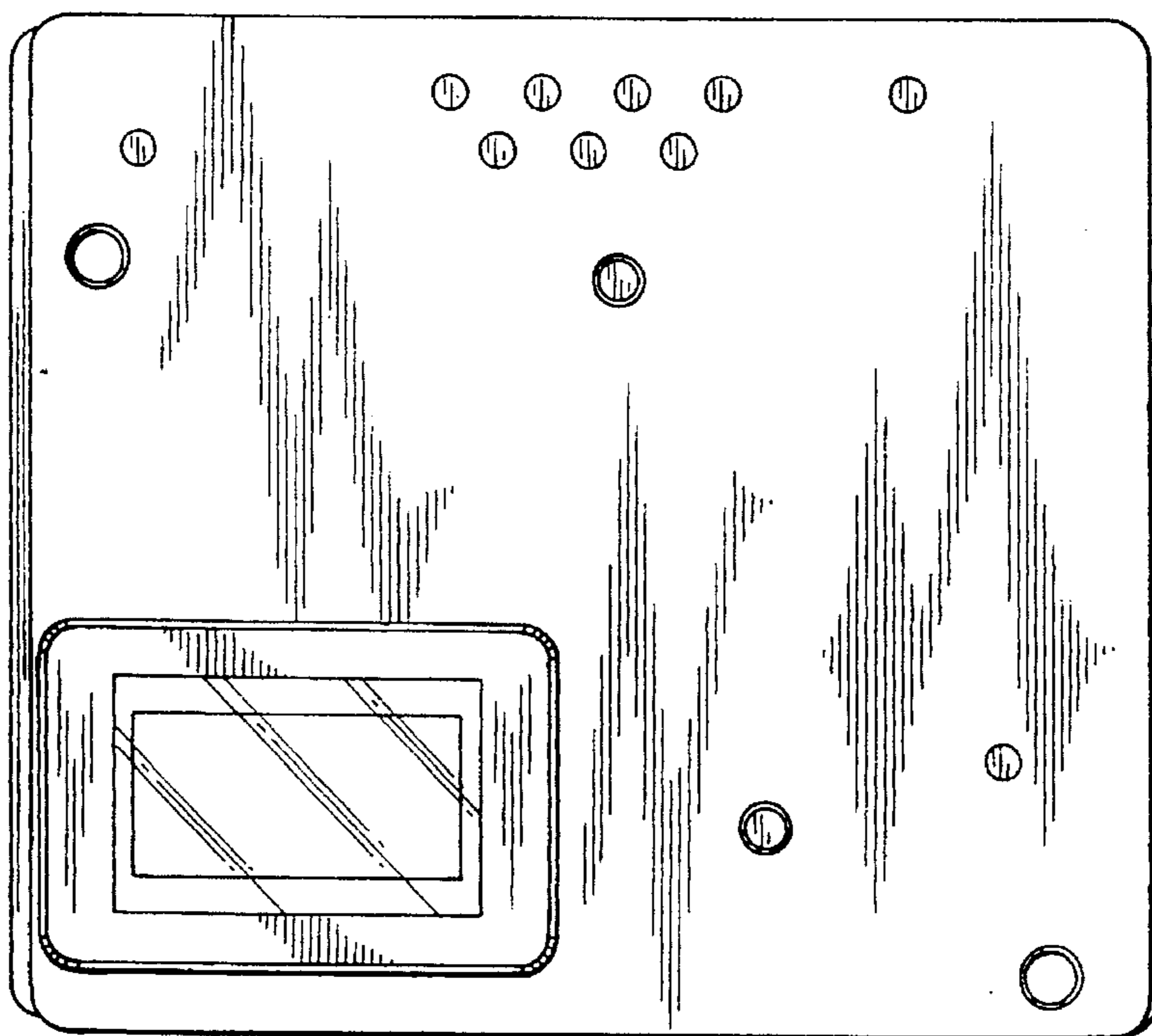


FIG. 8

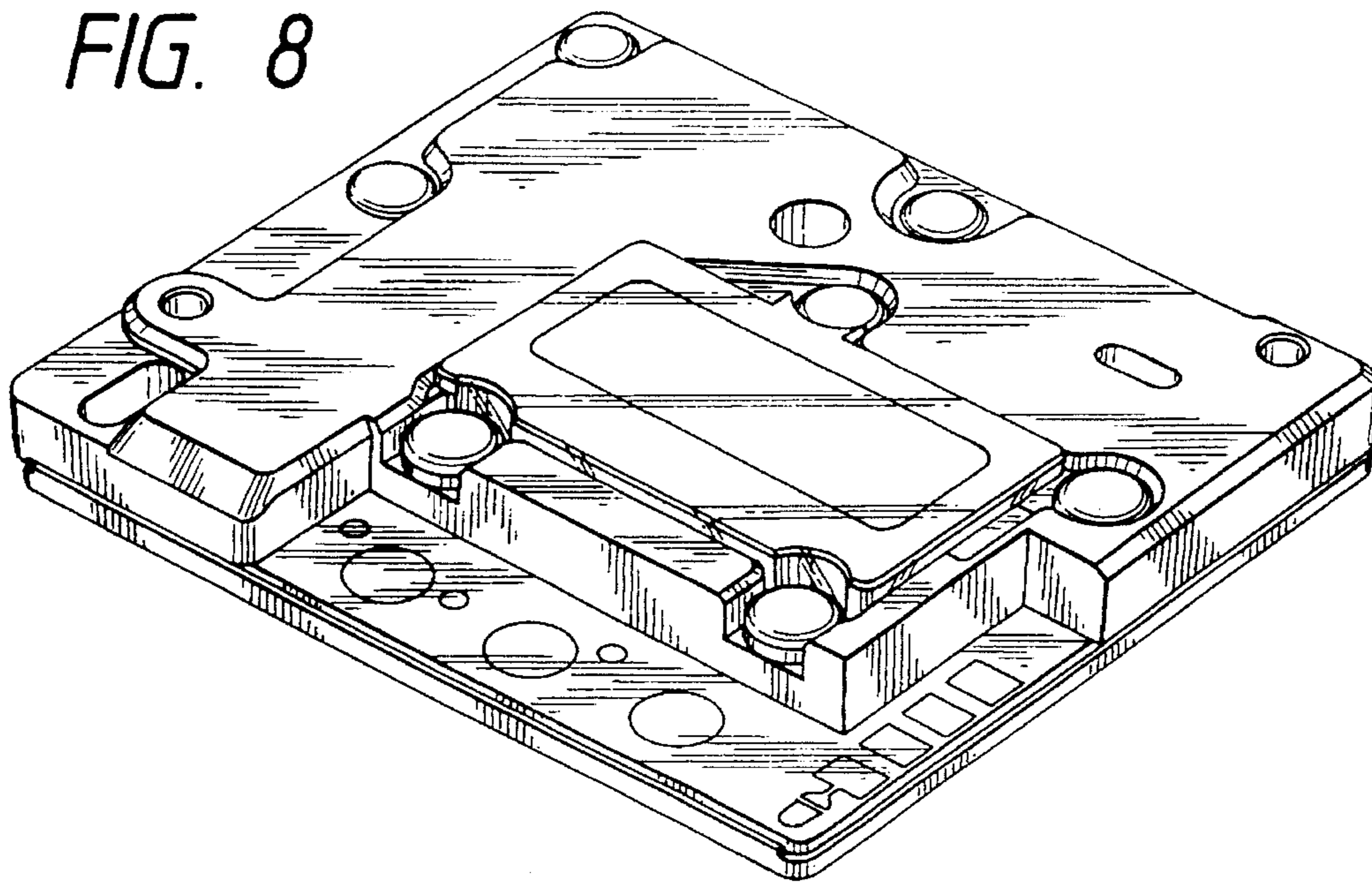


FIG. 9

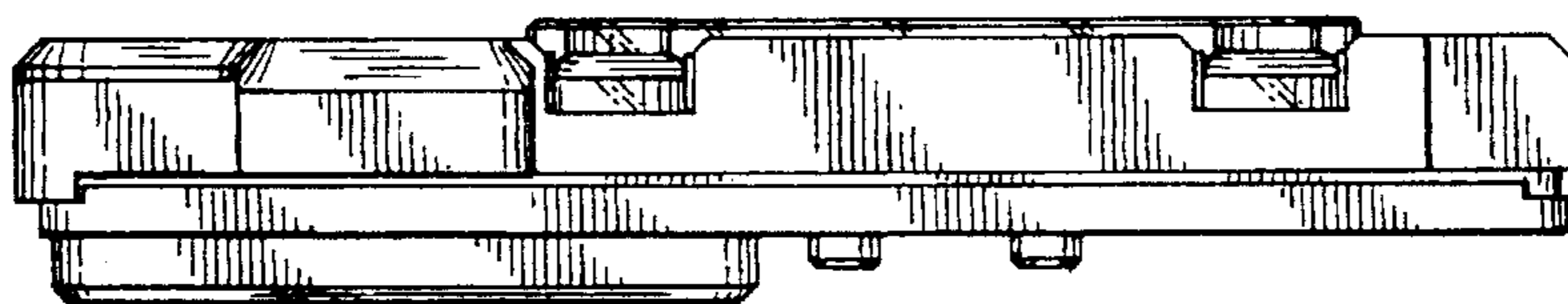


FIG. 10

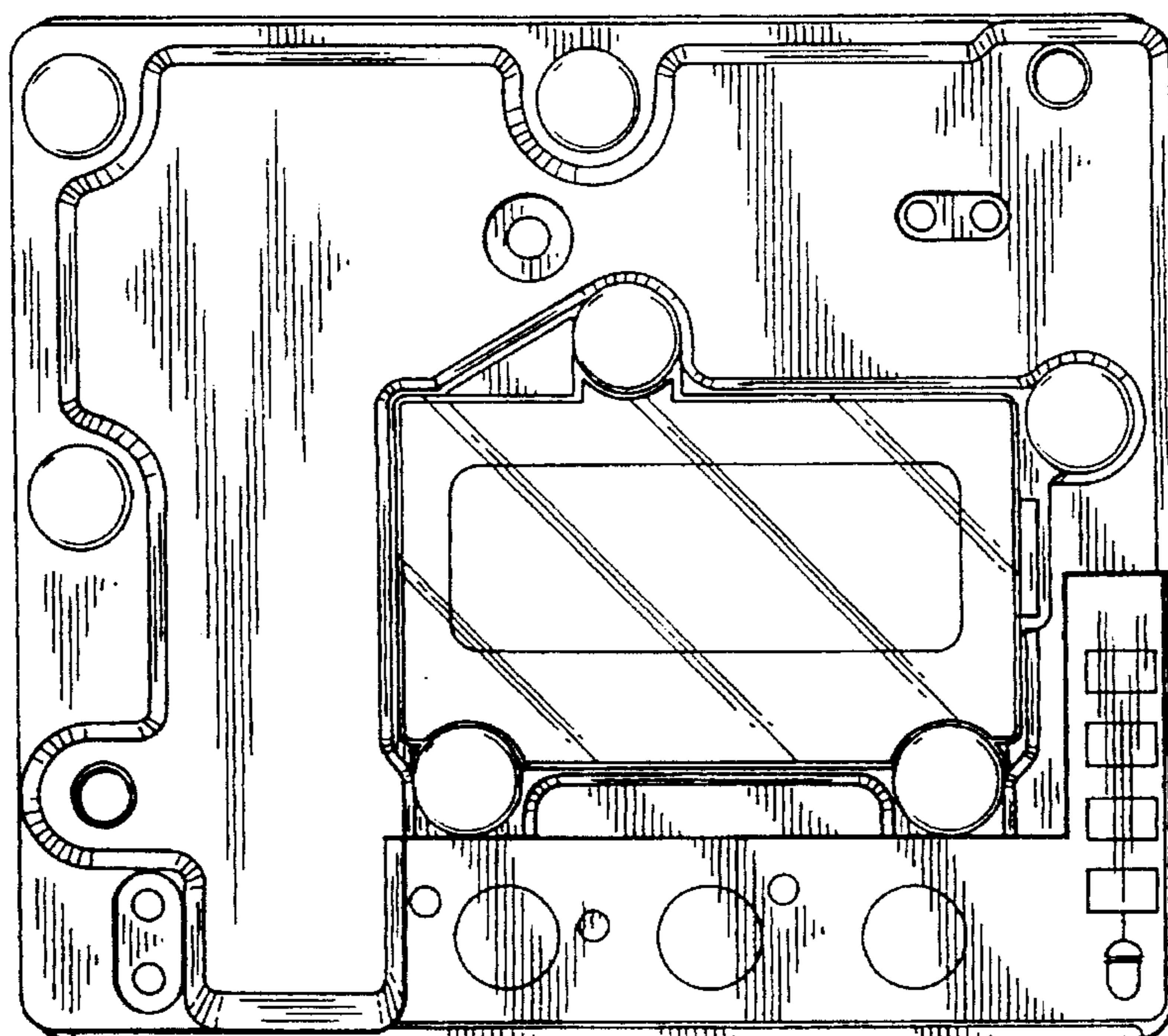


FIG. 11

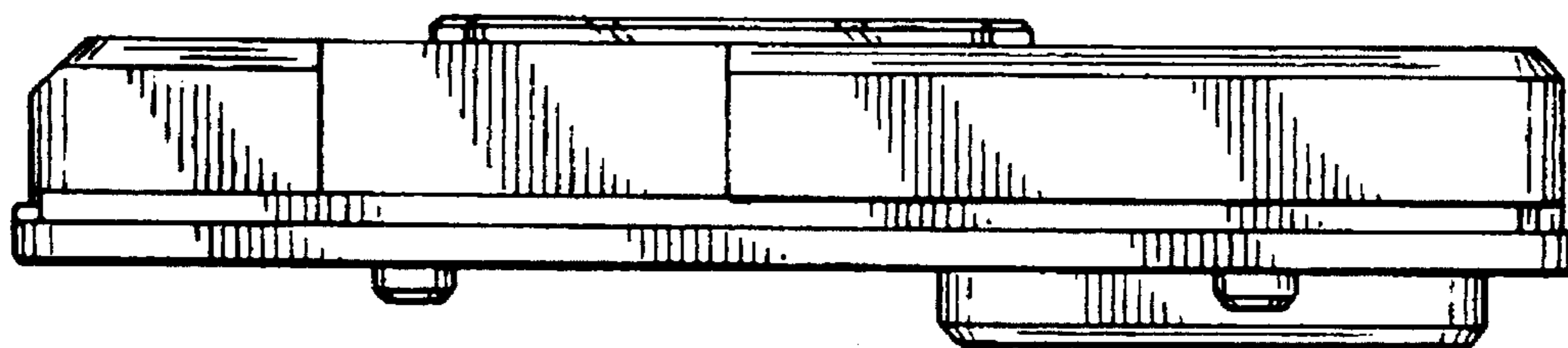


FIG. 12

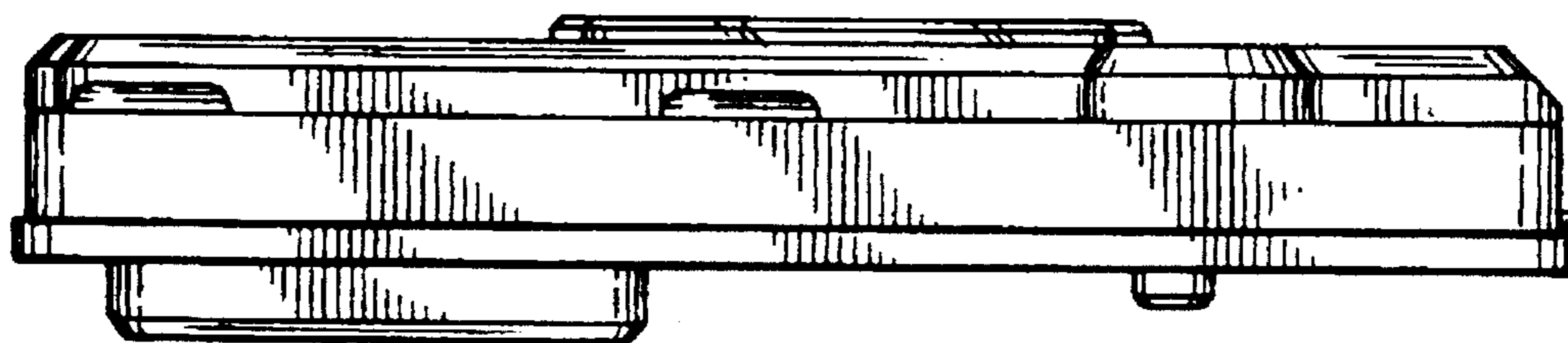


FIG. 13

