



US00D373130S

United States Patent [19] Jin

[11] Patent Number: Des. 373,130

[45] Date of Patent: **Aug. 27, 1996

[54] CAMERA

D. 348,076 6/1994 Chan D16/218
5,270,761 12/1993 Kwak 354/288

[75] Inventor: **Byeong-Uk Jin**, Kyeongsangnam-do,
Rep. of Korea

Primary Examiner—Terry A. Wallace
Assistant Examiner—Adir Aronovich
Attorney, Agent, or Firm—Christie, Parker & Hale, LLP

[73] Assignee: **Samsung Aerospace Industries, Ltd.**,
Kyeongsangnam-do, Rep. of Korea

[57] CLAIM

[**] Term: 14 Years

The ornamental design for camera, as shown and described.

[21] Appl. No.: 28,324

DESCRIPTION

[22] Filed: Sep. 12, 1994

[52] U.S. Cl. D16/218

[58] Field of Search D16/200-205,
D16/208, 209, 210, 216, 217, 218; D21/110;
354/126, 127.11, 64, 65, 149.11, 202, 288

FIG. 1 is a front elevational view of a camera showing my new design;

FIG. 2 is a back elevational view of the design of FIG. 1;

FIG. 3 is a top plan view of the design of FIG. 1;

FIG. 4 is a bottom plan view of the design of FIG. 1;

FIG. 5 is a left side elevational view of the design of FIG. 1;

FIG. 6 is a right side elevational view of the design of FIG. 1; and,

FIG. 7 is a top, front and left side perspective view of the design of FIG. 1.

[56] References Cited

U.S. PATENT DOCUMENTS

D. 294,606 3/1988 Ryland D21/110
D. 326,467 5/1992 Chan D16/217
D. 326,863 6/1992 Ito et al. D16/209
D. 331,067 11/1992 Chan D16/218

1 Claim, 7 Drawing Sheets

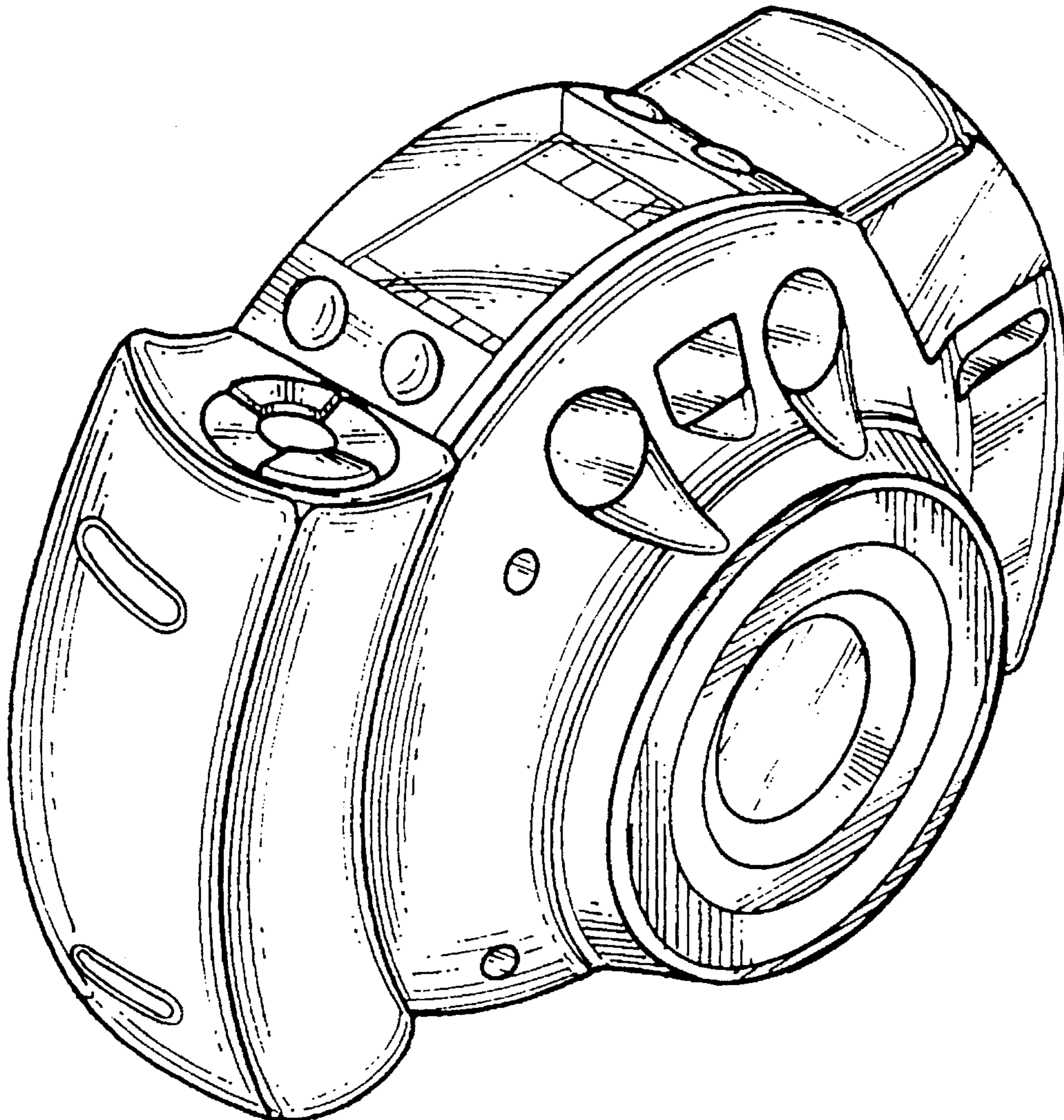


FIG. 1

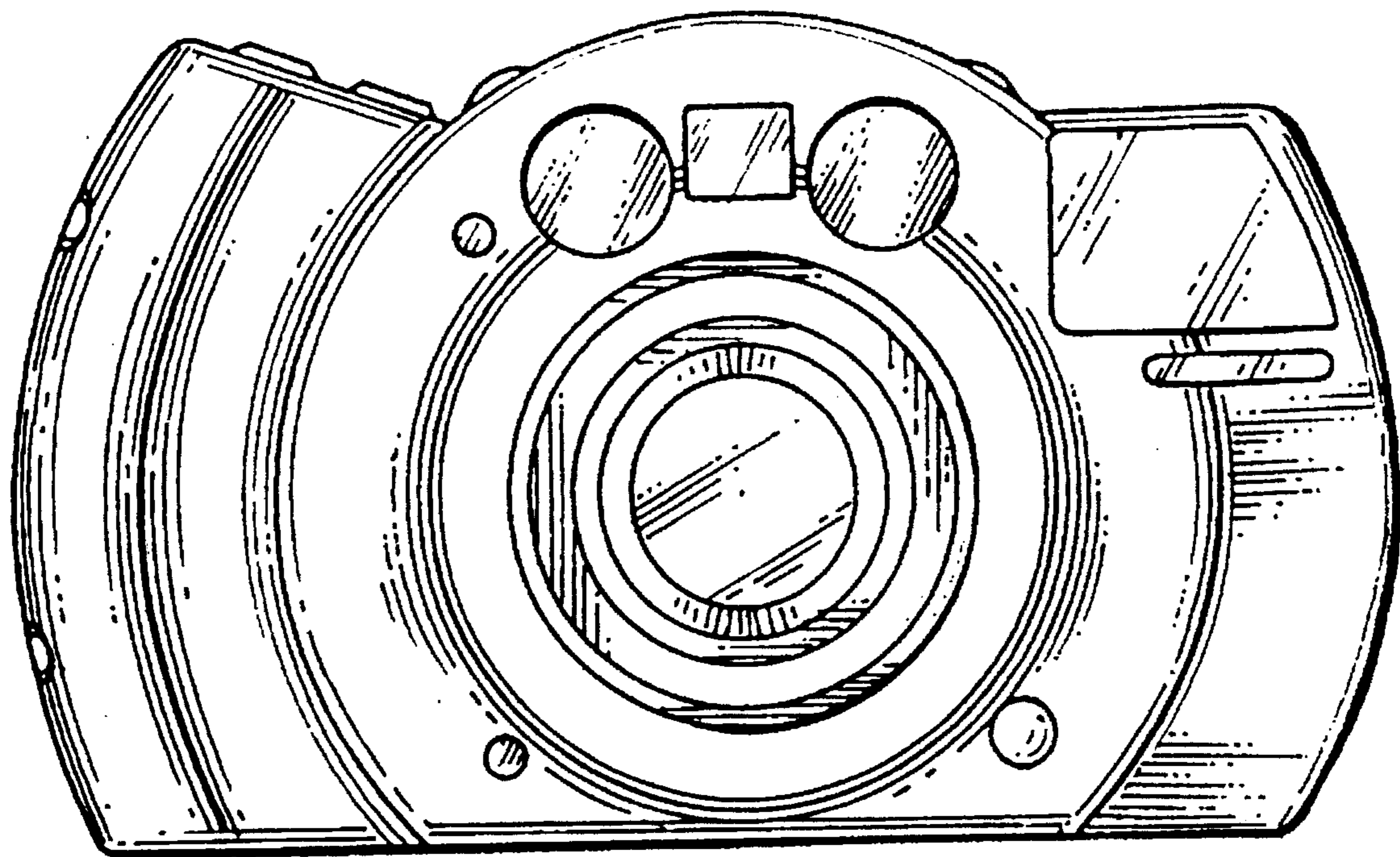


FIG. 2

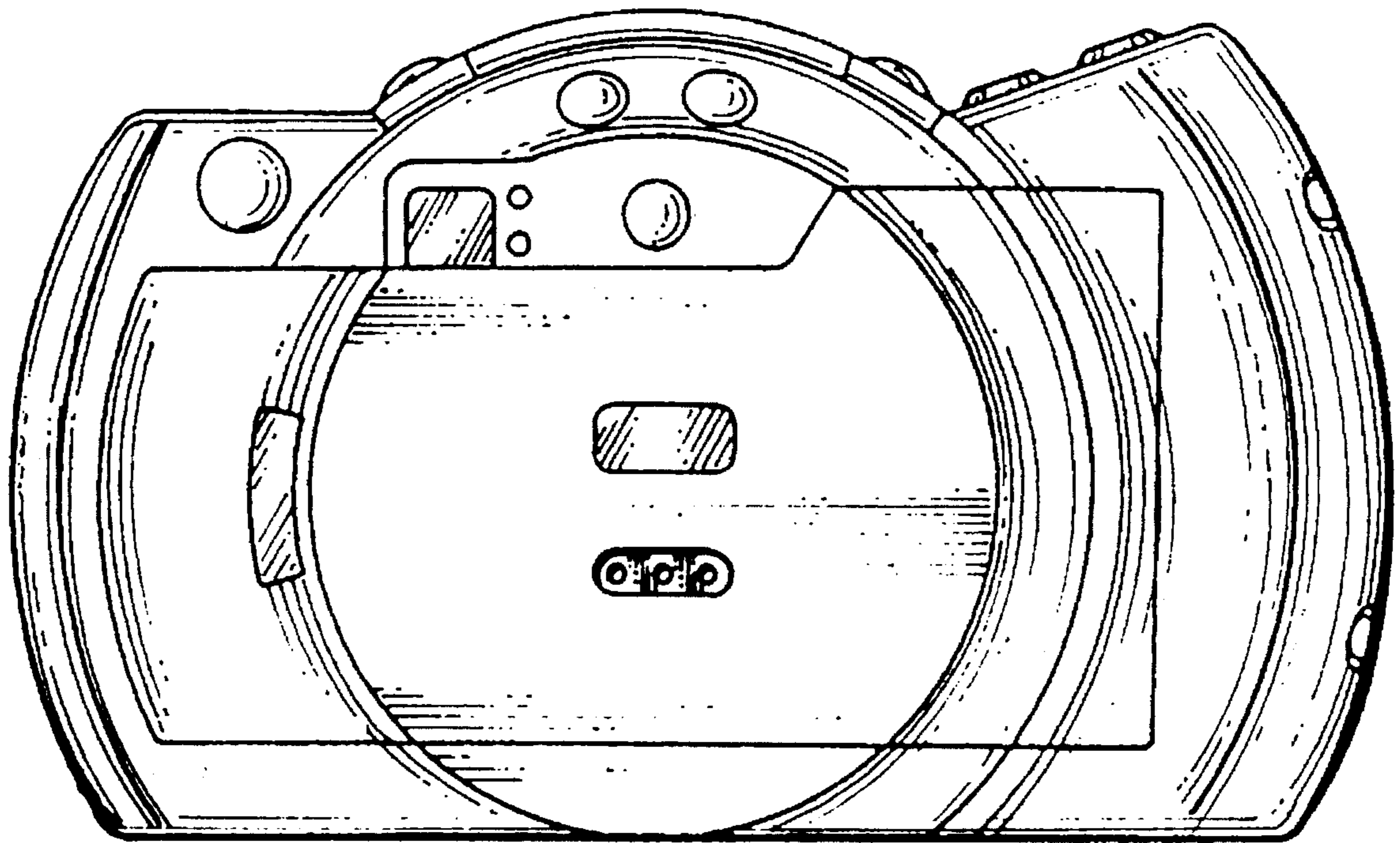


FIG. 3

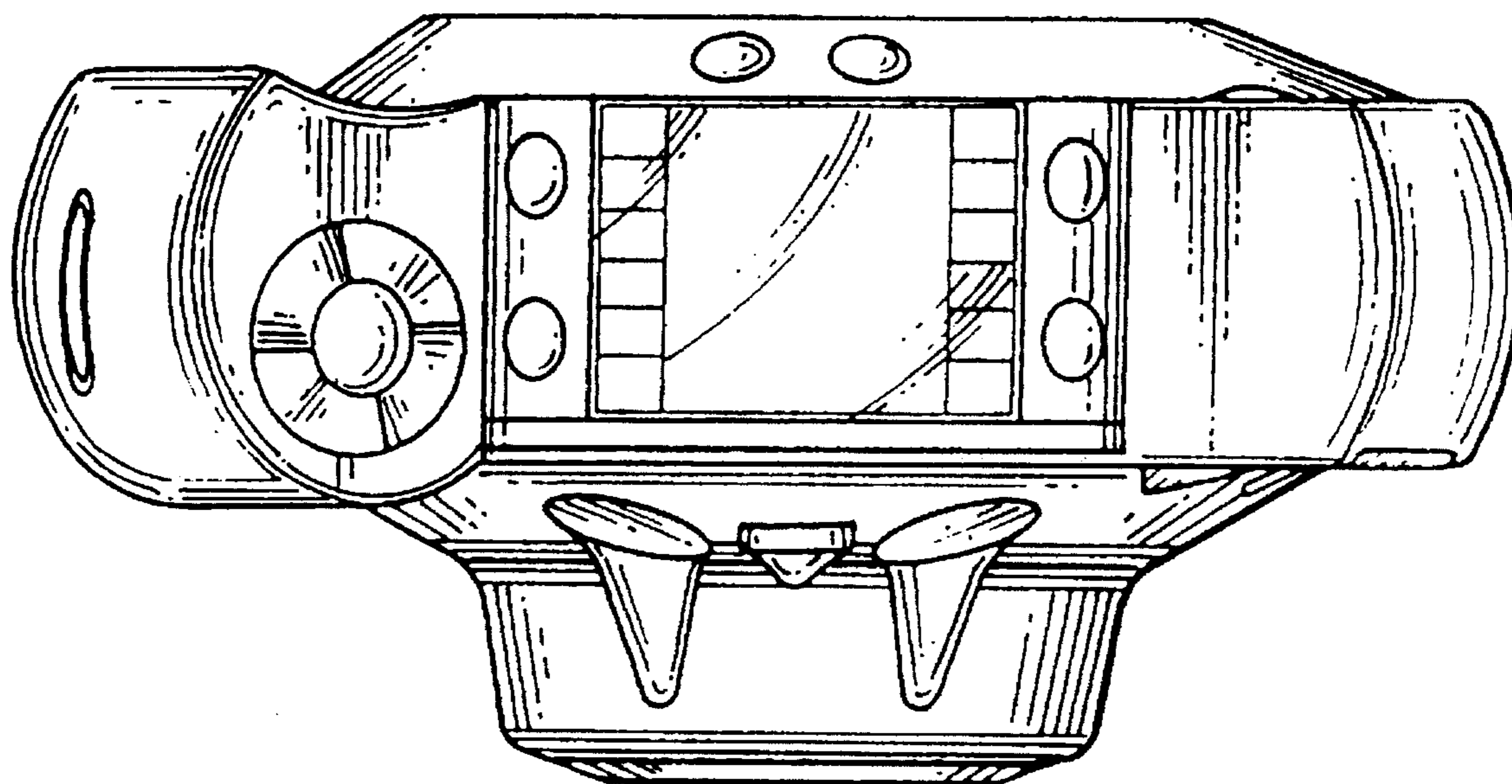


FIG. 4

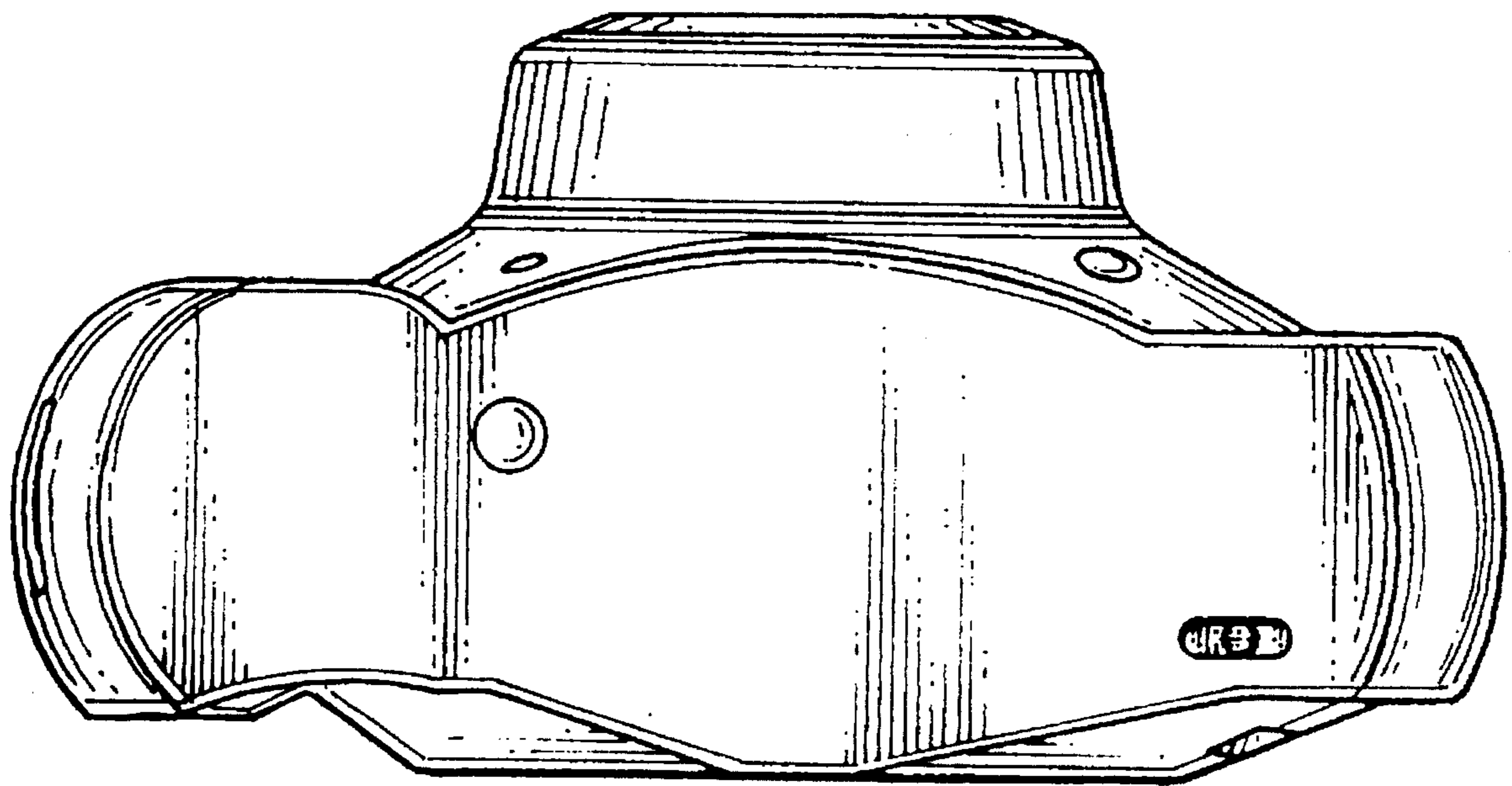


FIG. 5

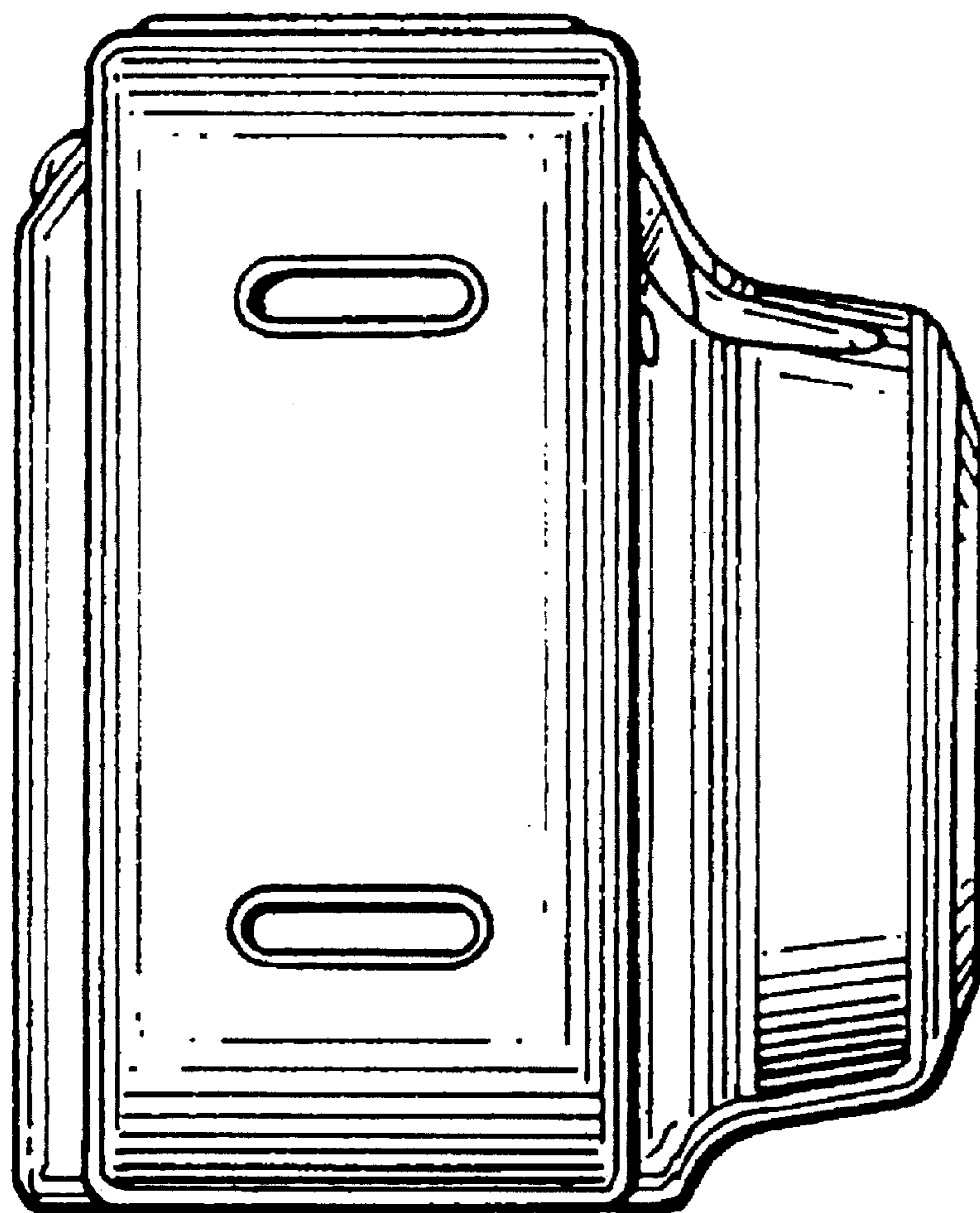


FIG. 6

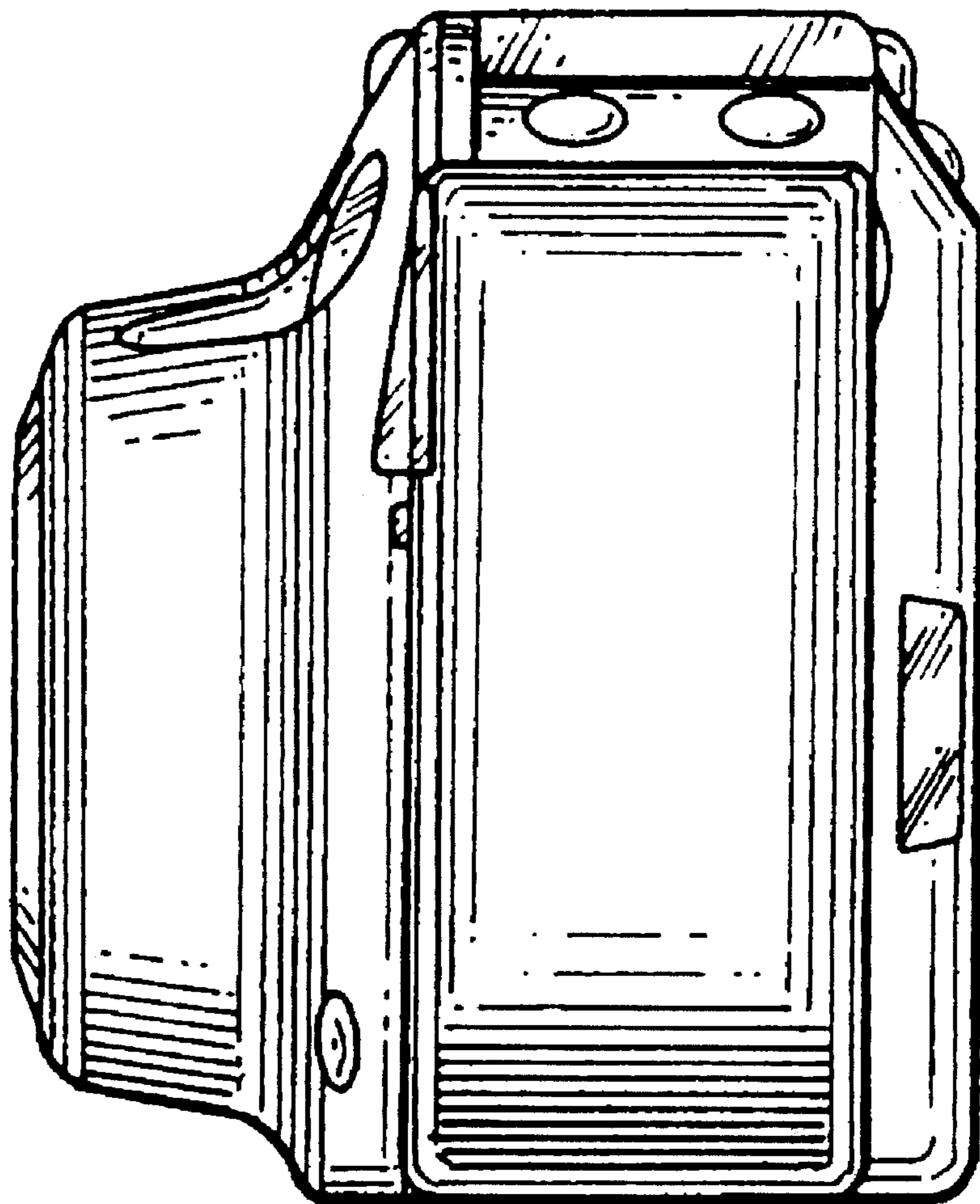


FIG. 7

