



US00D373128S

United States Patent [19]

[11] Patent Number: **Des. 373,128**

Magic et al.

[45] Date of Patent: ****Aug. 27, 1996**

[54] **COMBINED FRONT SURFACE AND CONTROL KNOBS FOR A RADIO**

- D. 315,158 3/1991 Hautbout D14/157
- D. 321,192 10/1991 Ito et al. D14/156 X
- D. 327,890 7/1992 Ito et al. D14/164
- D. 356,093 3/1995 McCauley et al. D14/157 X

[75] Inventors: **Andrew D. Magic**, Clarkston; **James P. Muccioli**, Farmington Hills; **Harlan E. Kifer**, Bloomfield Hills; **Michael W. Wielgat**, Royal Oak, all of Mich.

Primary Examiner—Ted Shooman
Assistant Examiner—Nanda Bondade
Attorney, Agent, or Firm—Margaret A. Dobrowitsky

[73] Assignee: **Chrysler Corporation**, Highland Park, Mich.

[57] CLAIM

[**] Term: **14 Years**

The ornamental design for a combined front surface and control knobs for a radio, as shown and described.

[21] Appl. No.: **21,462**

DESCRIPTION

[22] Filed: **Apr. 18, 1994**

FIG. 1 is a front elevational view of a combined front surface and control knobs for a radio showing our new design;

[52] U.S. Cl. **D14/258; D14/257**

FIG. 2 is a bottom plan view thereof;

[58] Field of Search D14/124, 137, D14/157, 217, 257, 258, 299; 455/73, 89-90, 128, 345-347

FIG. 3 is a top plan view thereof;

FIG. 4 is a left side elevational view thereof; and,

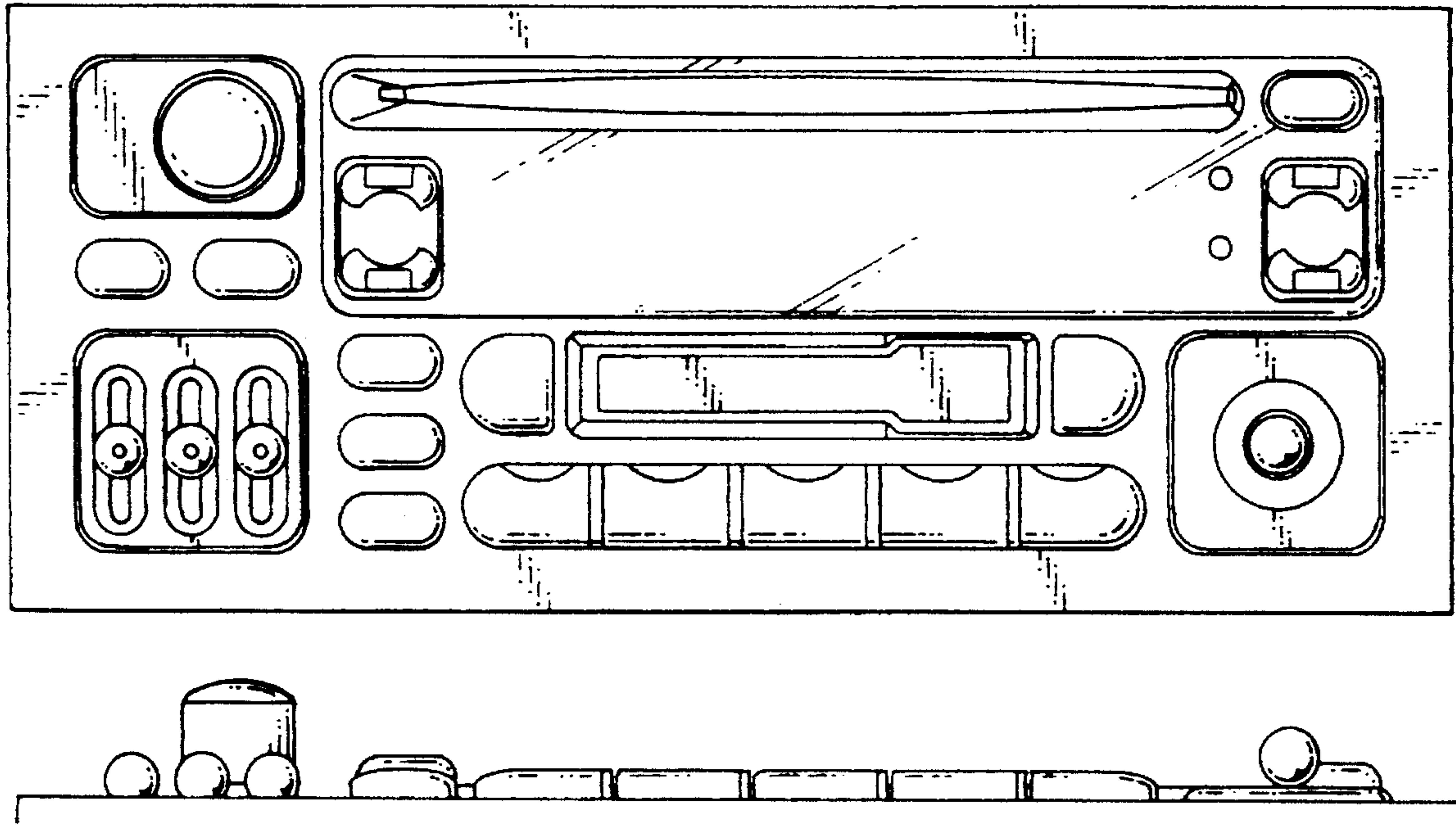
FIG. 5 is a right side elevational view thereof.

[56] References Cited

U.S. PATENT DOCUMENTS

D. 261,136 10/1981 Yamada et al. D14/157

1 Claim, 1 Drawing Sheet



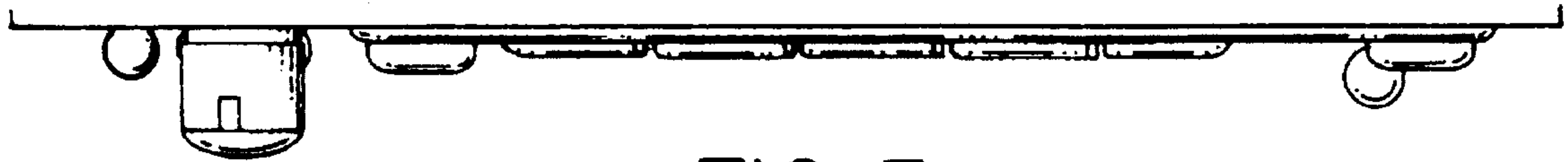


FIG. 3

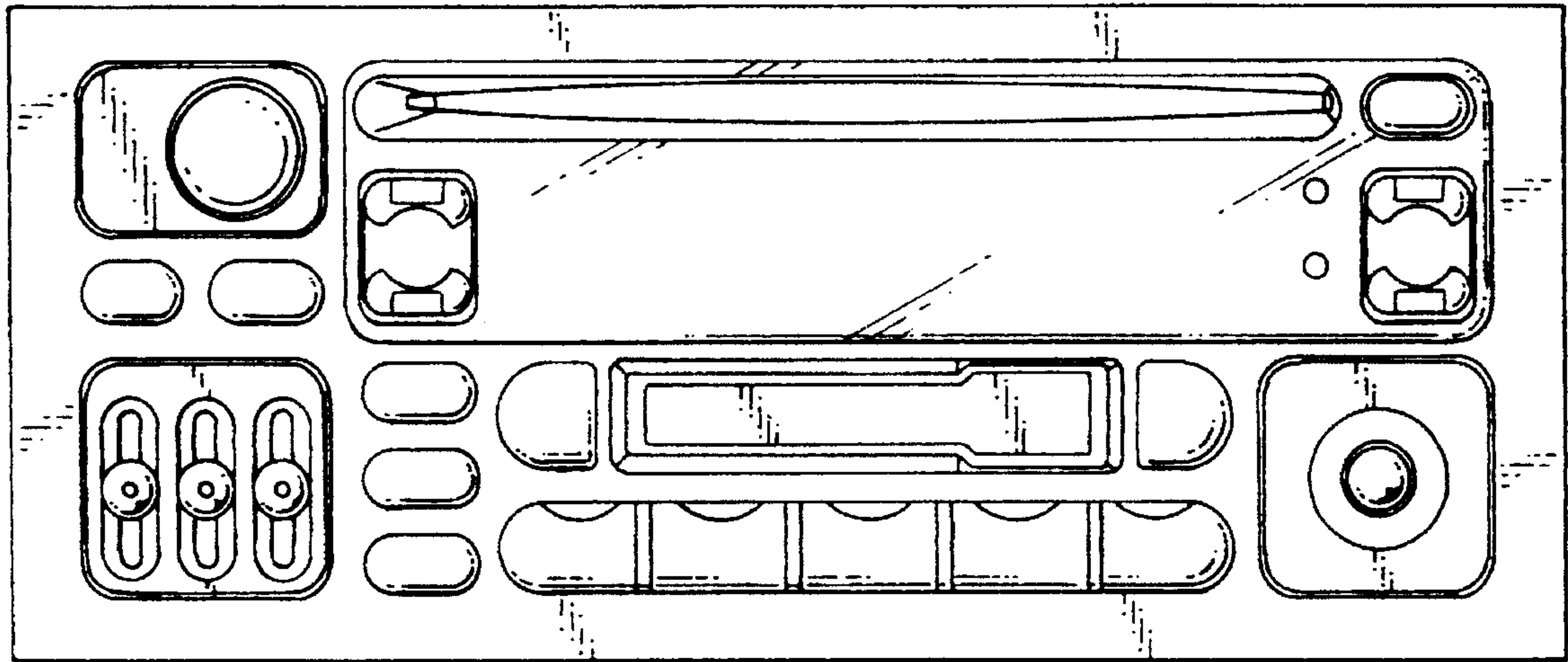


FIG. 1

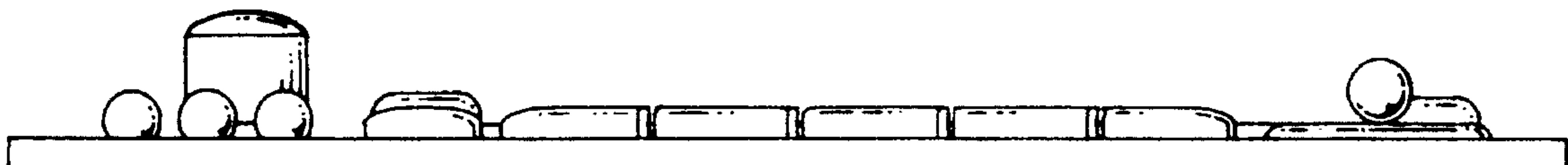


FIG. 2

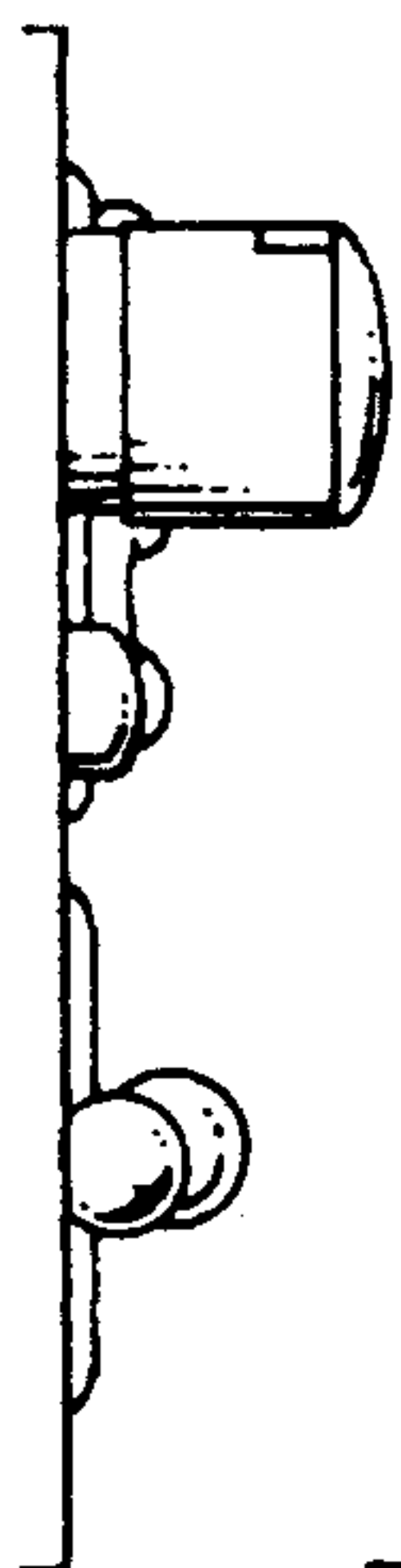


FIG. 4

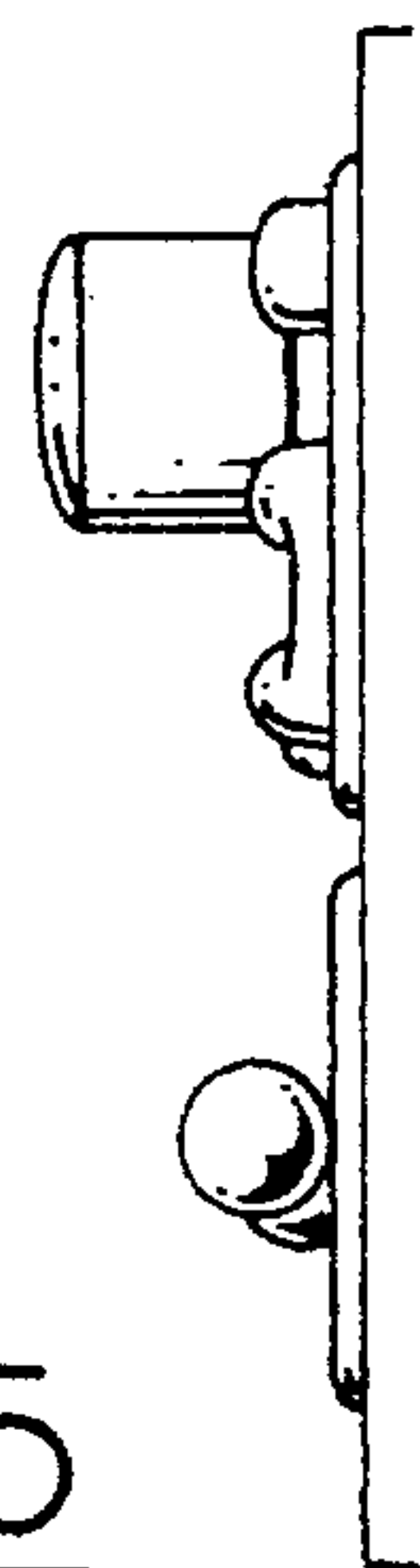


FIG. 5