



US00D373126S

United States Patent [19] Taniguchi

[11] Patent Number: **Des. 373,126**
[45] Date of Patent: ****Aug. 27, 1996**

[54] RADIO RECEIVER

[75] Inventor: **Shuhei Taniguchi**, Tokyo, Japan
[73] Assignee: **Sony Corporation**, Tokyo, Japan
[**] Term: **14 Years**

[21] Appl. No.: **31,906**
[22] Filed: **Nov. 30, 1994**

[30] Foreign Application Priority Data

May 31, 1994 [JP] Japan 6-15477
[52] U.S. Cl. **D14/198**; D14/194
[58] Field of Search D14/160-168,
D14/170-171, 188, 192-198; 455/344,
347, 350-351

[56] References Cited

U.S. PATENT DOCUMENTS

D. 260,646 9/1981 Akazawa et al. D14/171
D. 262,293 12/1981 Anzai D14/171 X
D. 314,768 2/1991 Taniguchi D14/171 X
D. 340,717 10/1993 Grimes D14/198 X
D. 342,737 12/1993 Kawase D14/197 X

OTHER PUBLICATIONS

Sony Spring/Summer Catalog, 1993, p. 61, ICF-SW33 World Band Receiver Radio.

Primary Examiner—Sandra L. Morris
Assistant Examiner—Nanda Bondade
Attorney, Agent, or Firm—Foley & Lardner

[57] CLAIM

The ornamental design for a radio receiver, as shown and described.

DESCRIPTION

FIG. 1 is a perspective view of a radio receiver showing my new design;
FIG. 2 is a front elevational view thereof;
FIG. 3 is a rear elevational view thereof;
FIG. 4 is a top plan view thereof;
FIG. 5 is a bottom plan view thereof;
FIG. 6 is a left side elevational view thereof;
FIG. 7 is a right side elevational view thereof;
FIG. 8 is a perspective view thereof, with the stand shown in an open position; and,
FIG. 9 is a front elevational view thereof, with the antenna in an upright position.

1 Claim, 4 Drawing Sheets

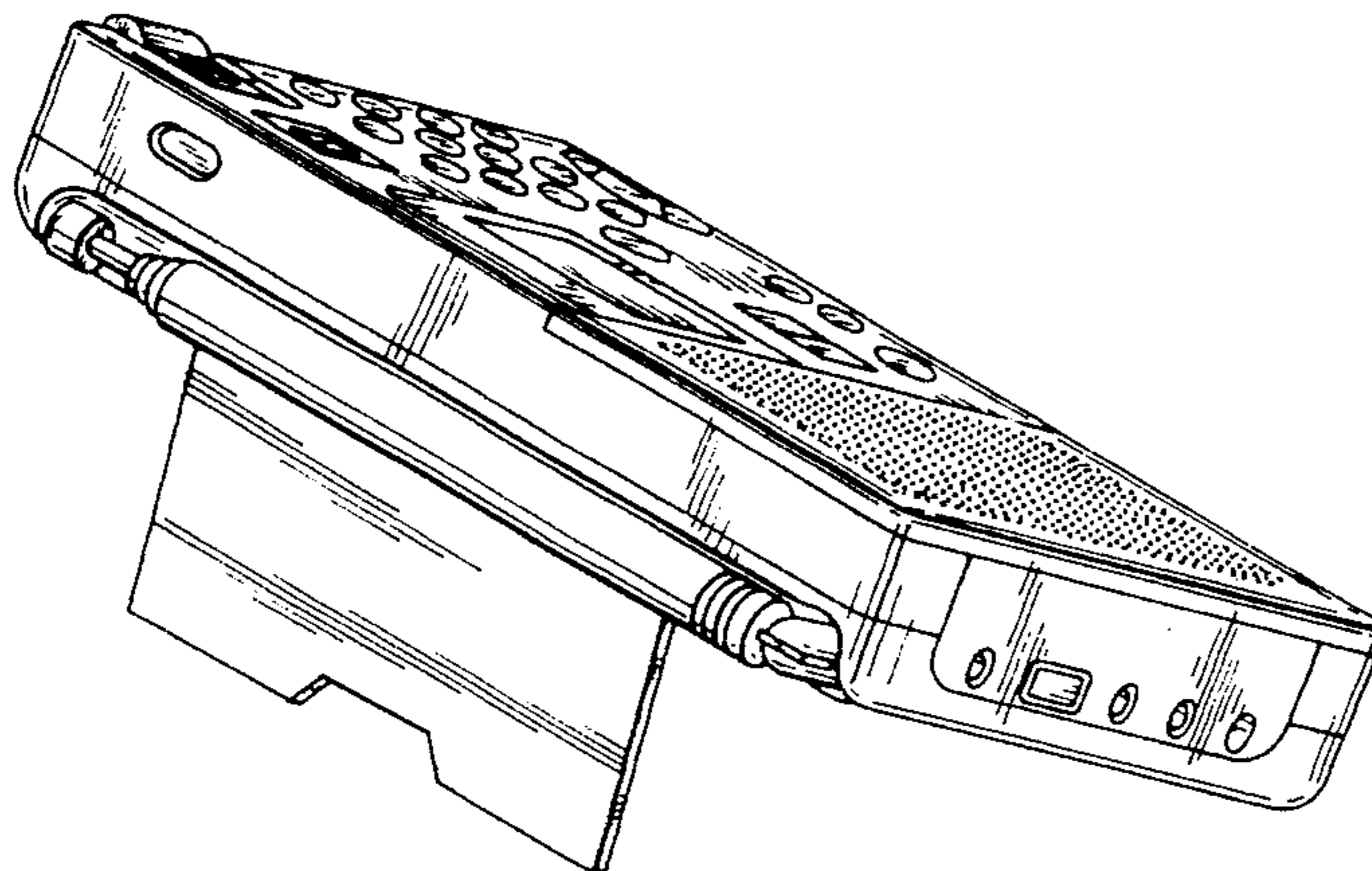
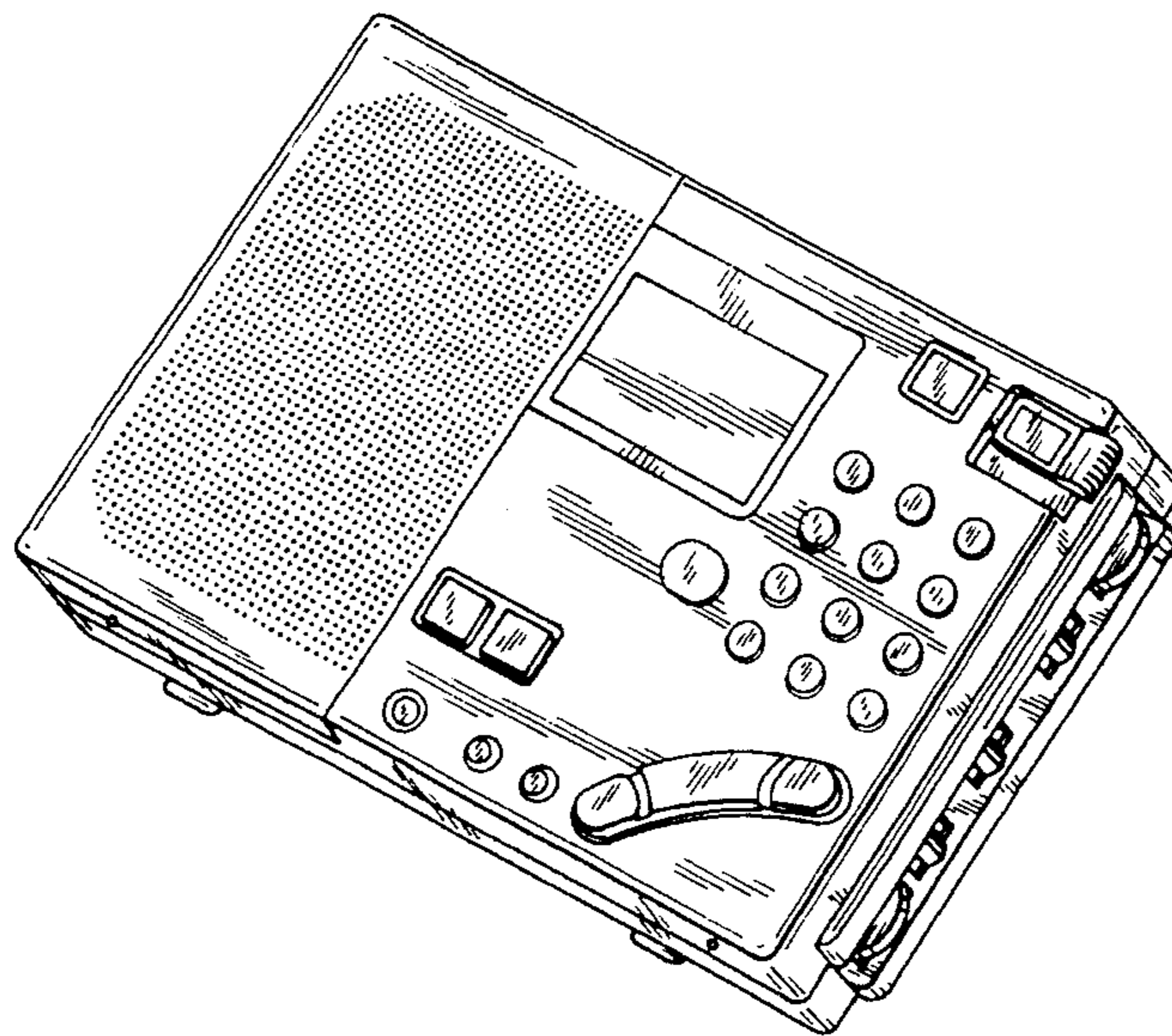


FIG. 1

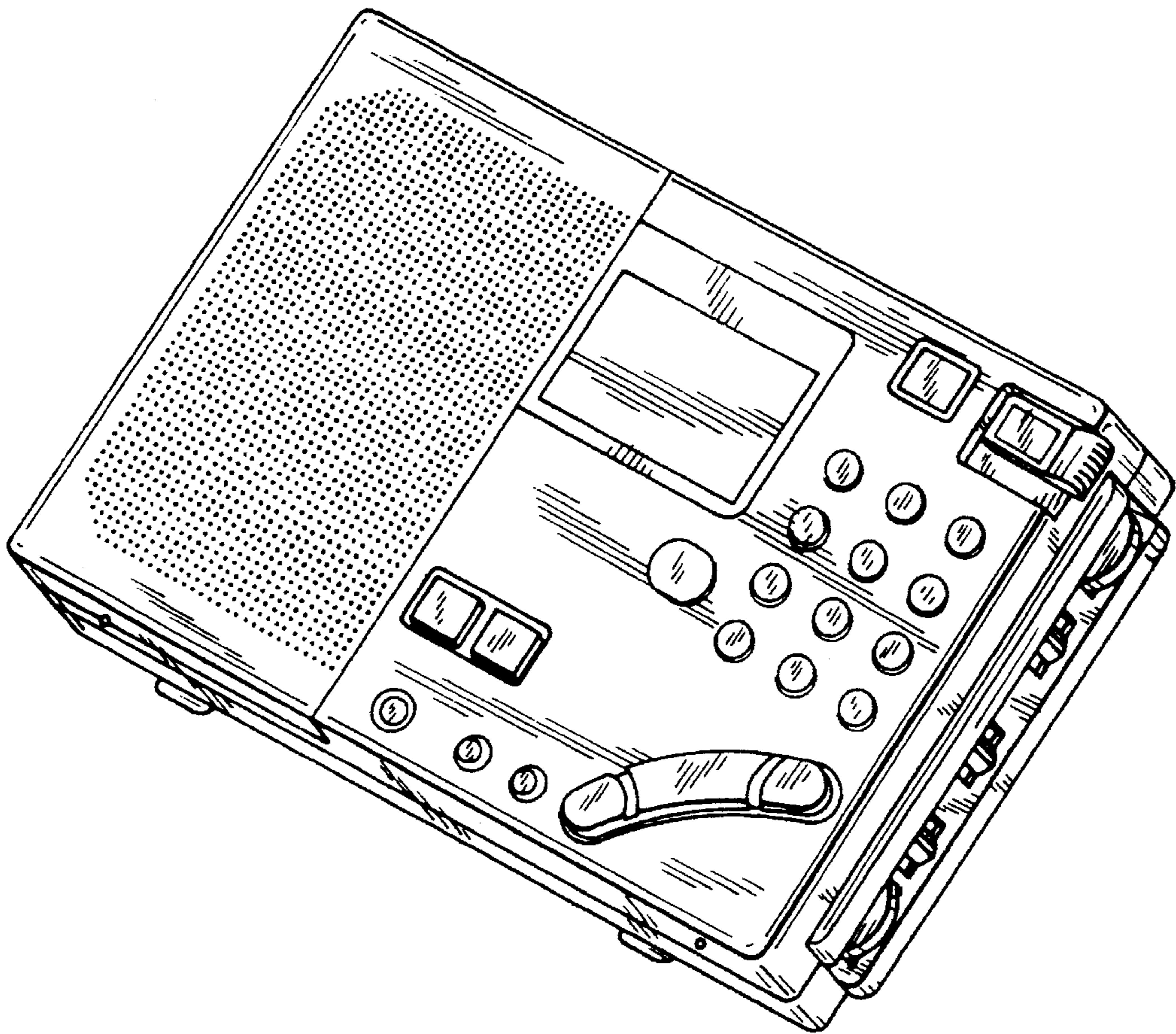


FIG. 2

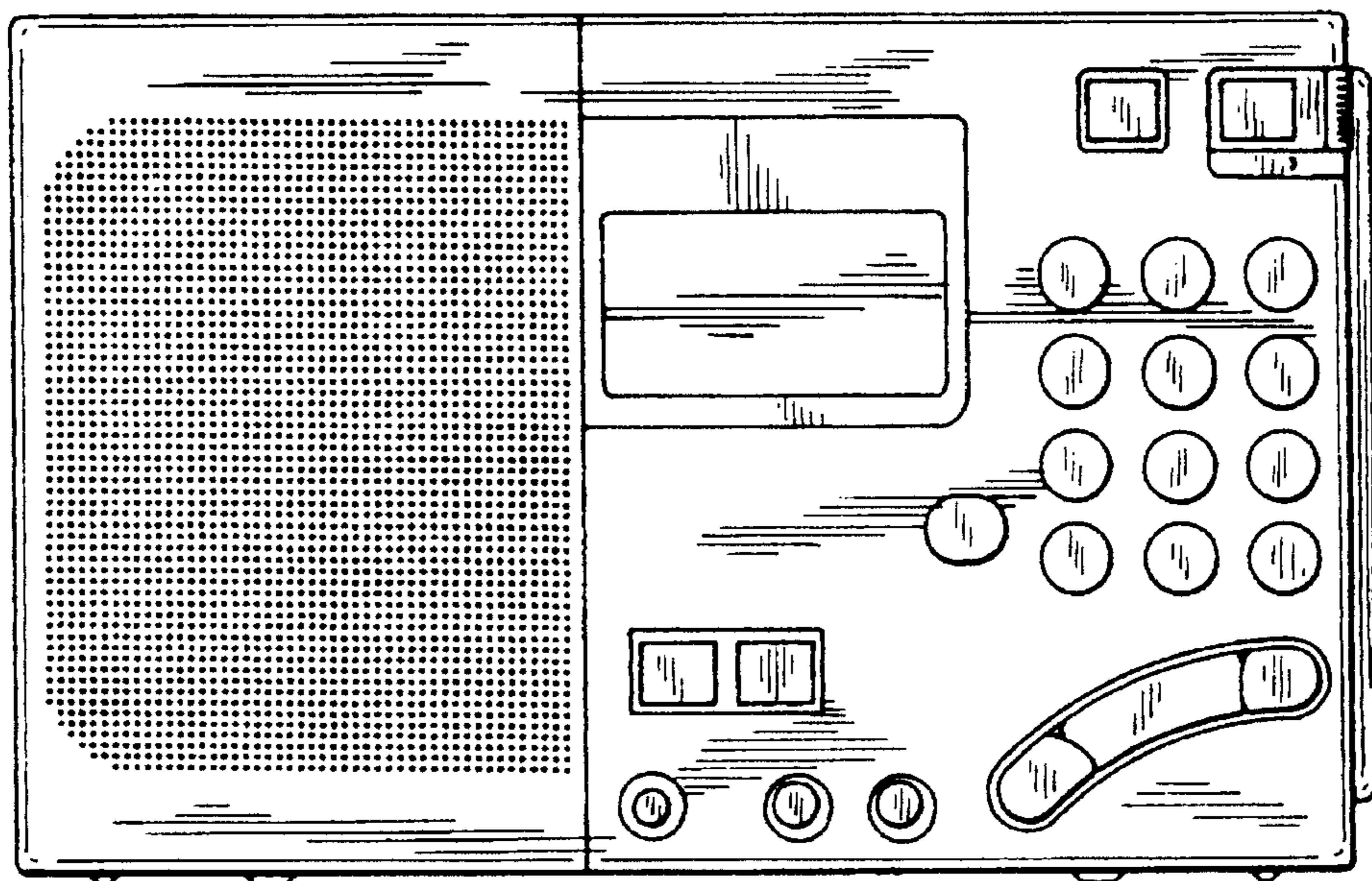


FIG. 3

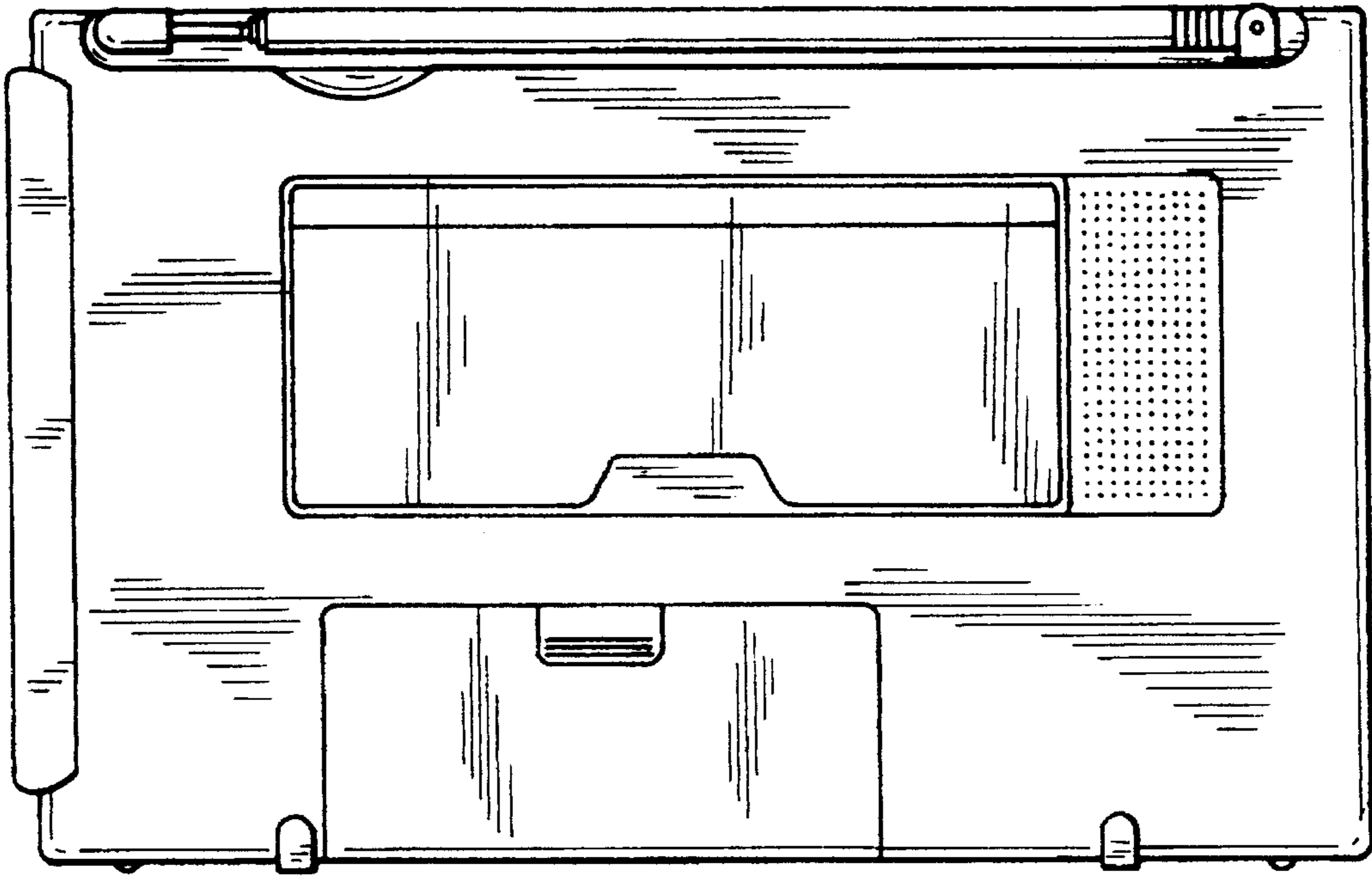


FIG. 4

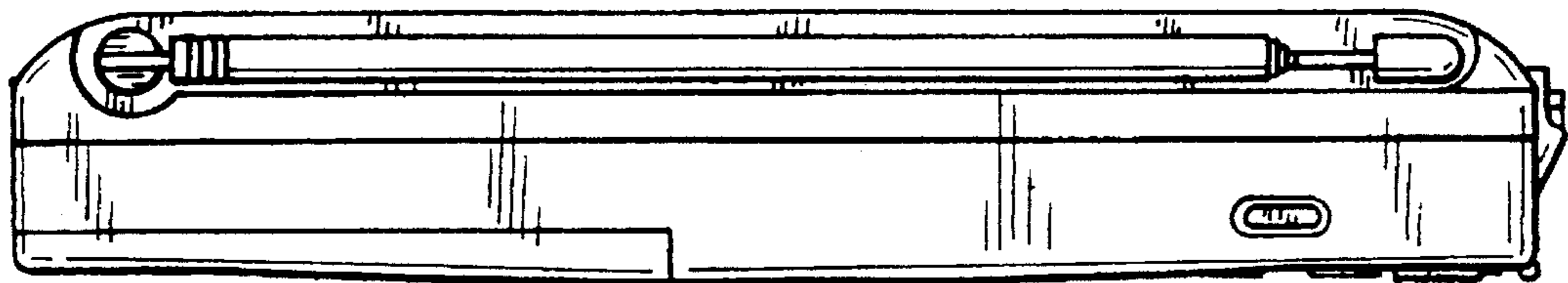


FIG. 5

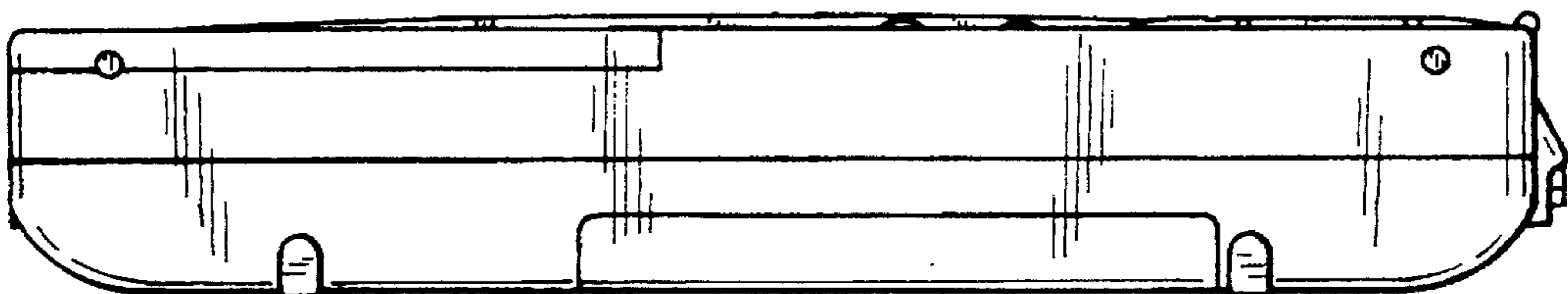


FIG. 6

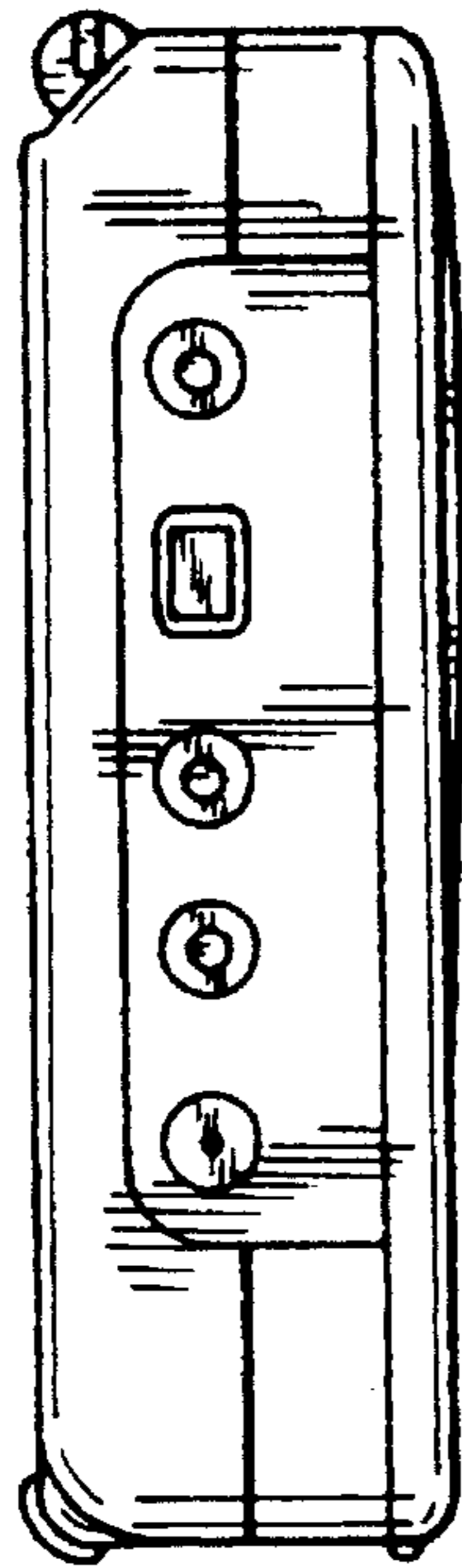


FIG. 7

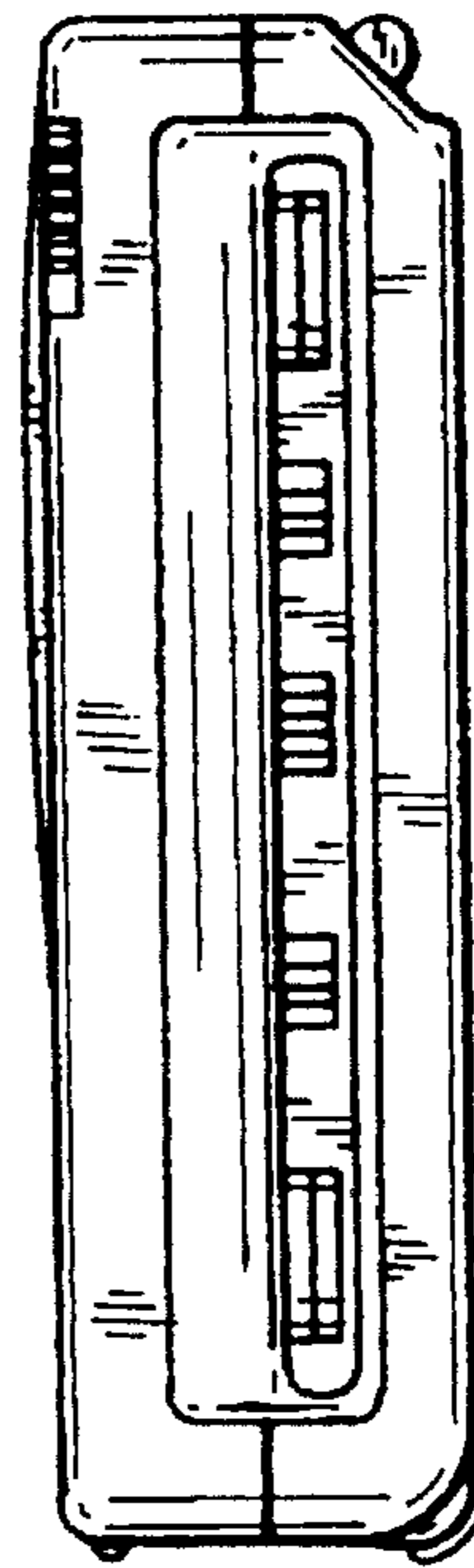


FIG. 8

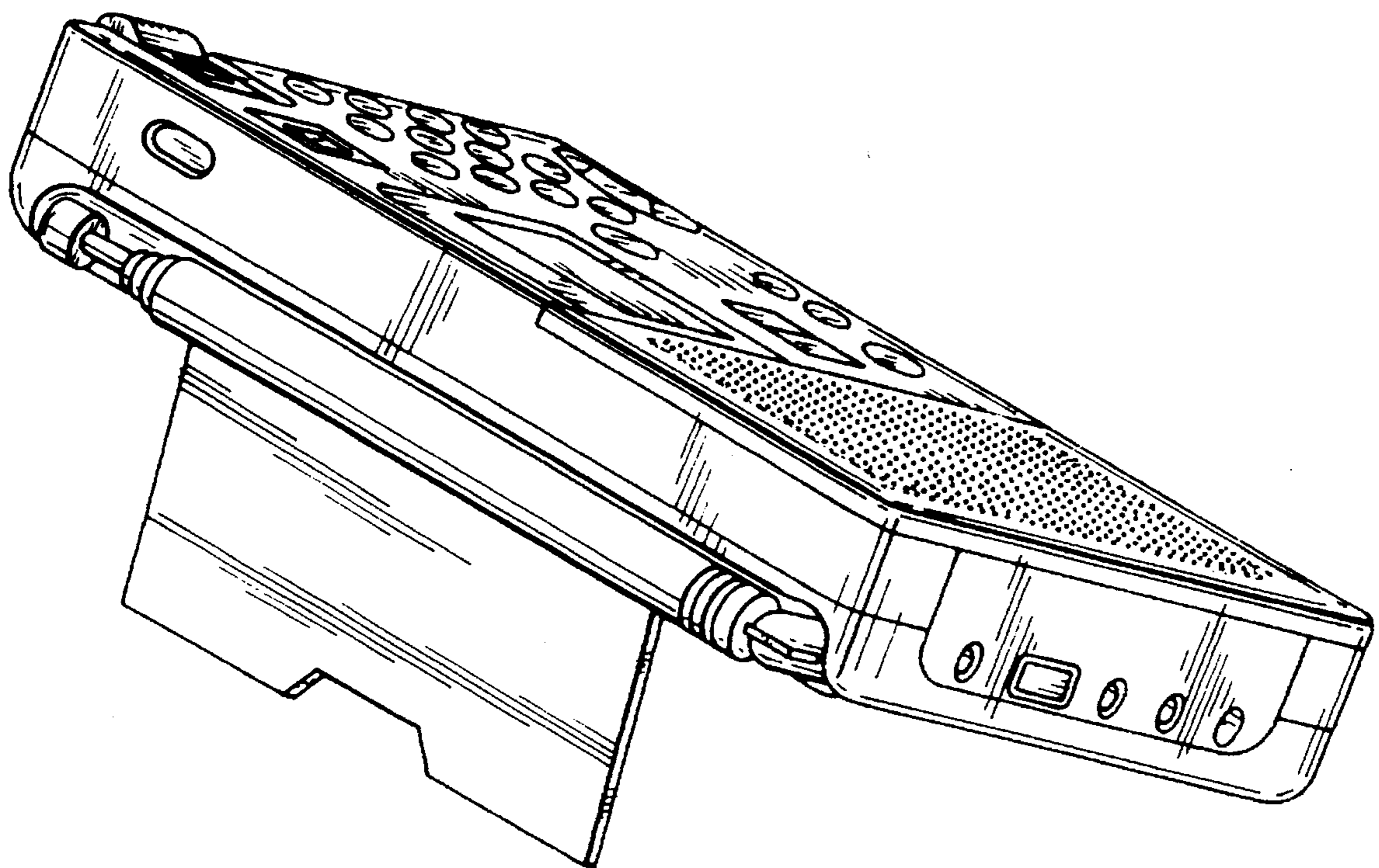


FIG. 9

