



US00D373122S

# United States Patent [19]

[11] Patent Number: Des. 373,122

Lo

[45] Date of Patent: \*\*\* Aug. 27, 1996

[54] **COMPUTER MOUSE**

Attorney, Agent, or Firm—Frost & Jacobs

[75] Inventor: **Johnson Lo**, Taipei, Taiwan

[57] **CLAIM**

[73] Assignee: **Primax Electronics Ltd.**, Taipei, Taiwan

The ornamental design for a computer mouse, as shown and described.

[\*] Notice: The portion of the term of this patent subsequent to Aug. 20, 2010, has been disclaimed.

### DESCRIPTION

[\*\*] Term: **14 Years**

FIG. 1 is a bottom plan view of a computer mouse showing my new design;

FIG. 2 is a rear elevational view thereof;

FIG. 3 is a top plan view of a first embodiment thereof;

FIG. 4 is a top plan view of a second embodiment thereof;

FIG. 5 is a front elevational view of a first embodiment thereof;

[21] Appl. No.: **29,862**

FIG. 6 is a front elevational view of a second embodiment thereof;

[22] Filed: **Oct. 18, 1994**

[52] U.S. Cl. .... **D14/114**

FIG. 7 is a left side elevational view of a first embodiment thereof;

[58] Field of Search ..... D14/100, 114;  
D13/158; D21/48; 178/18-9; 200/5 R, 5 A,  
6 R, 6 A; 213/148 B; 273/148 B, 438;  
345/156-67; 74/471 XY

FIG. 8 is a left side elevational view of a second embodiment thereof;

### [56] References Cited

#### U.S. PATENT DOCUMENTS

D. 301,142	5/1989	Chu	.....	D14/114
D. 314,194	1/1991	Norris	.....	D14/114
D. 331,231	11/1992	Yang	.....	D14/114
D. 335,874	5/1993	Chen	.....	D14/114
D. 335,875	5/1993	Chen	.....	D14/114
D. 349,280	8/1994	Kaneko	.....	D14/114
D. 349,993	8/1994	Cheng	.....	D14/114
D. 354,484	1/1995	Skaggs	.....	D14/114

FIG. 9 is a right side elevational view of a first embodiment thereof;

FIG. 10 is a right side elevational view of a second embodiment thereof;

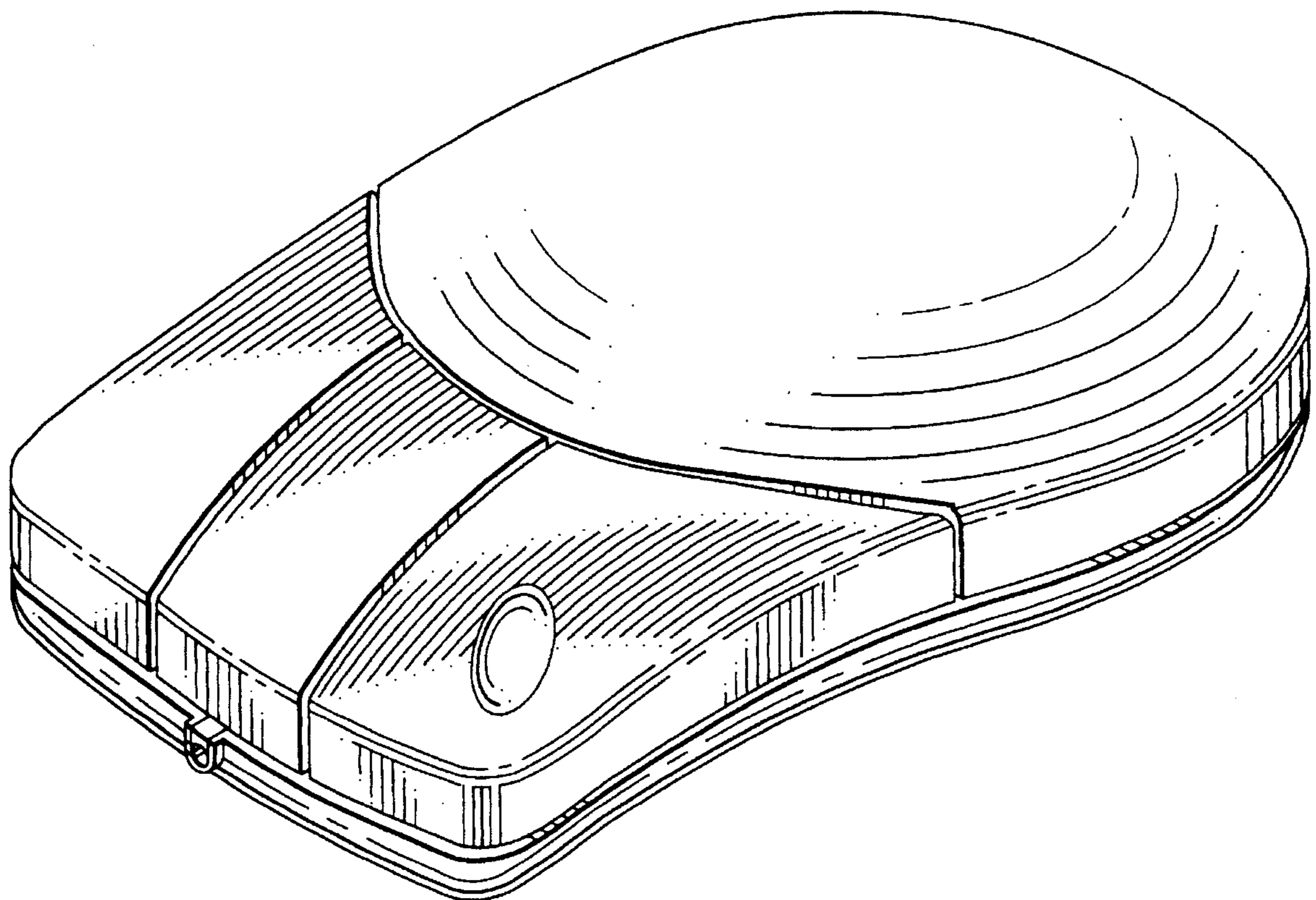
FIG. 11 is a perspective view of a first embodiment thereof; and,

FIG. 12 is a perspective view of a second embodiment thereof.

The bottom plan and rear elevational views of the second embodiment are identical to those views shown in FIGS. 1 and 2, respectively.

Primary Examiner—M. H. Tung

1 Claim, 5 Drawing Sheets



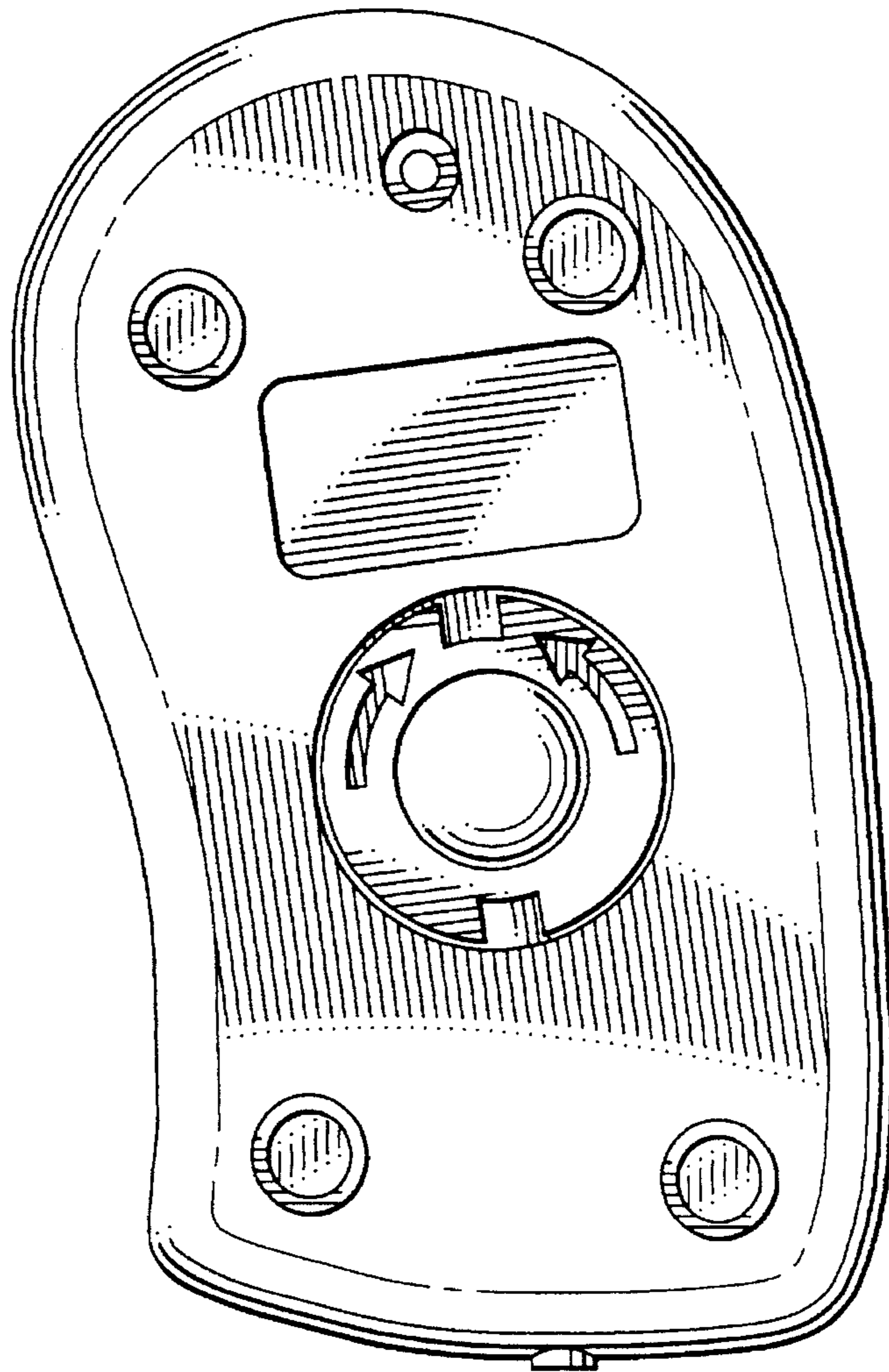


FIG. 1

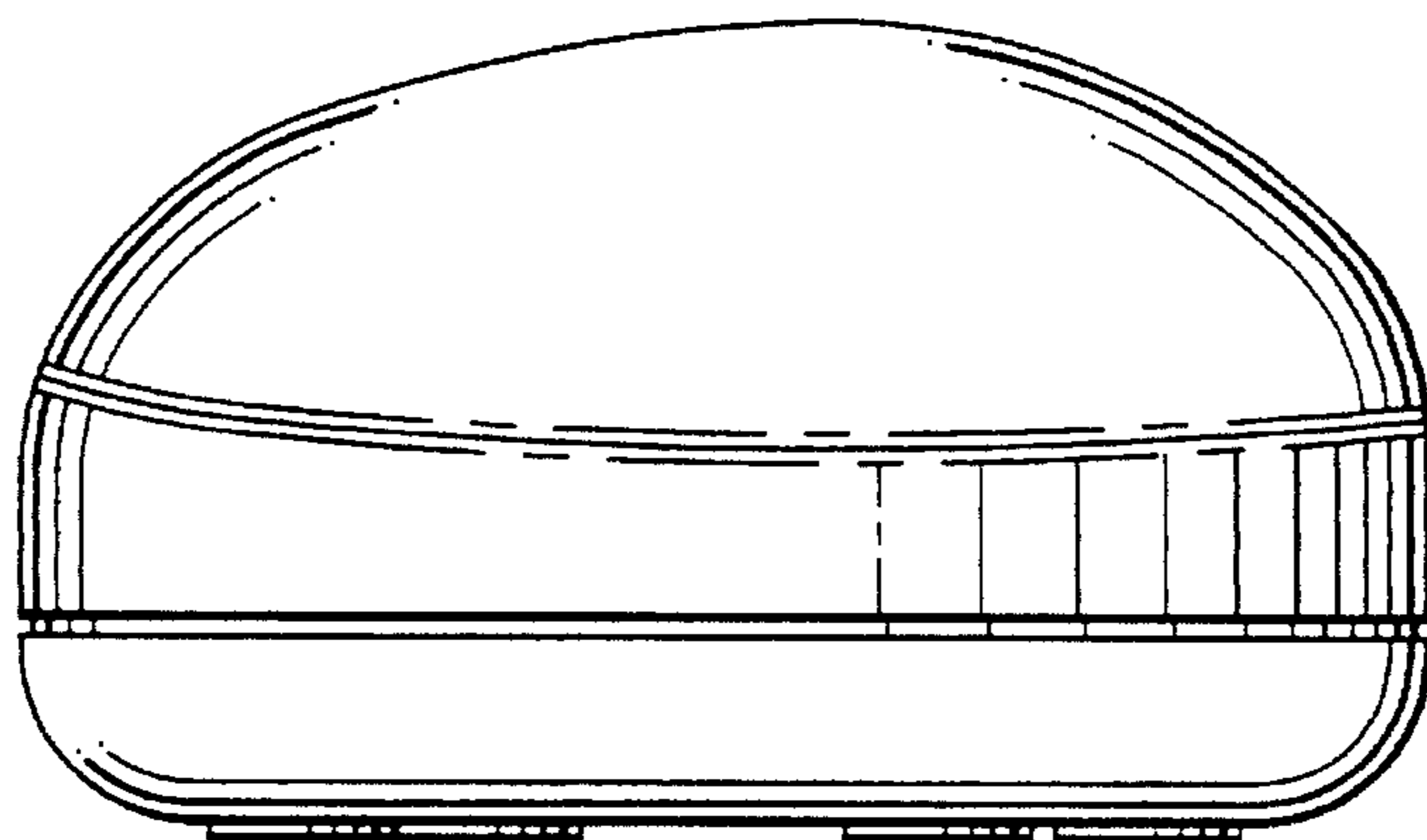


FIG. 2

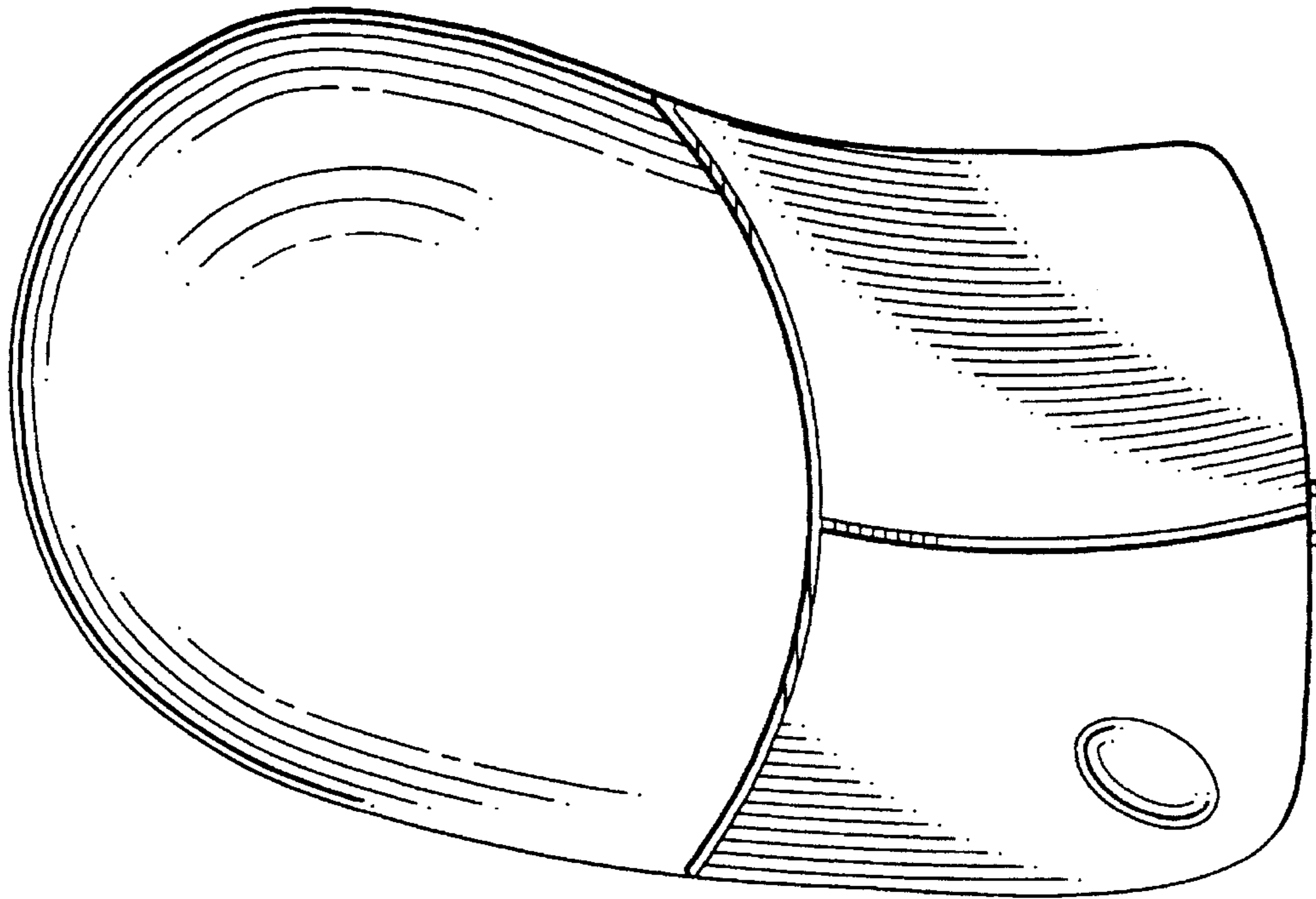


FIG. 4

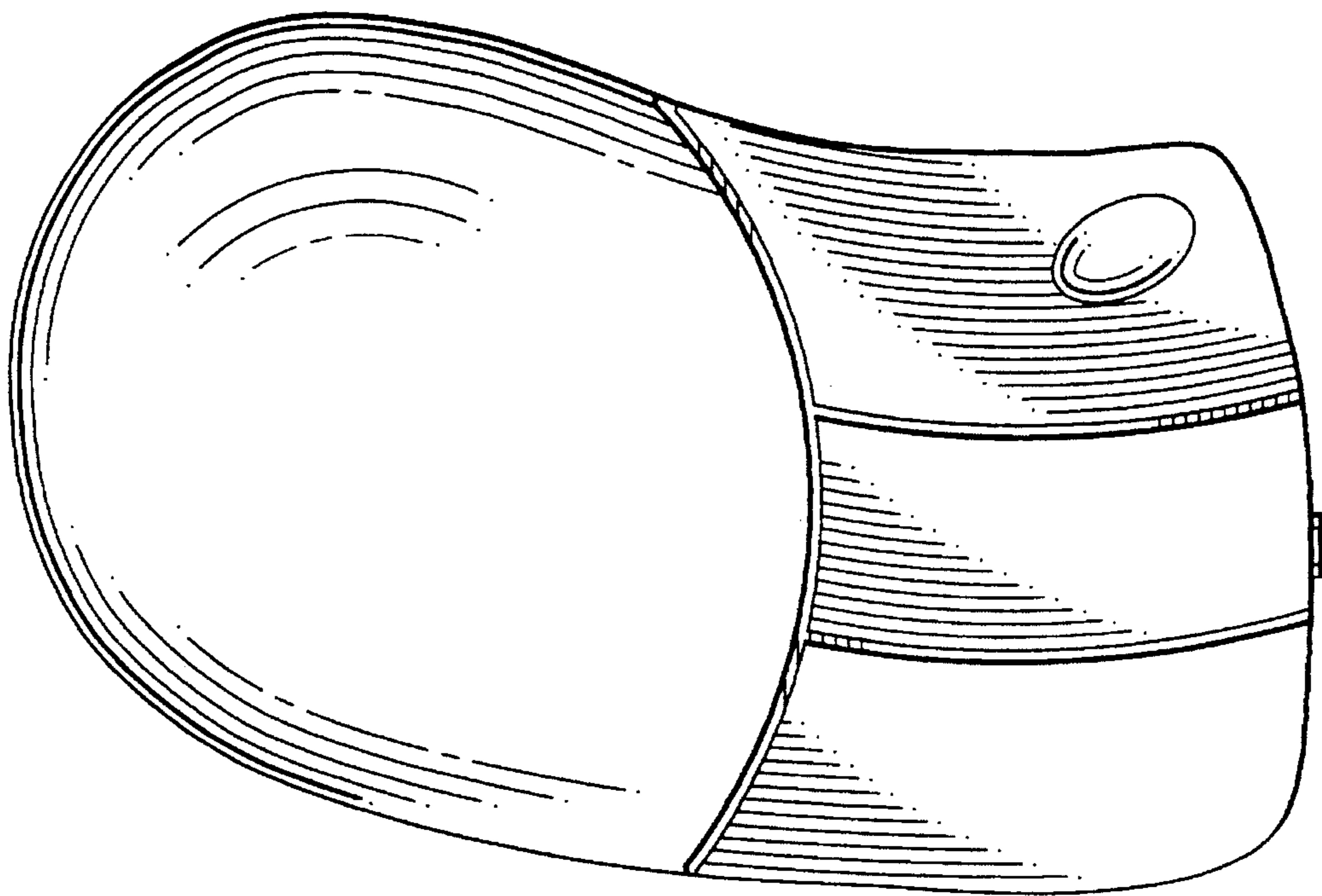


FIG. 3



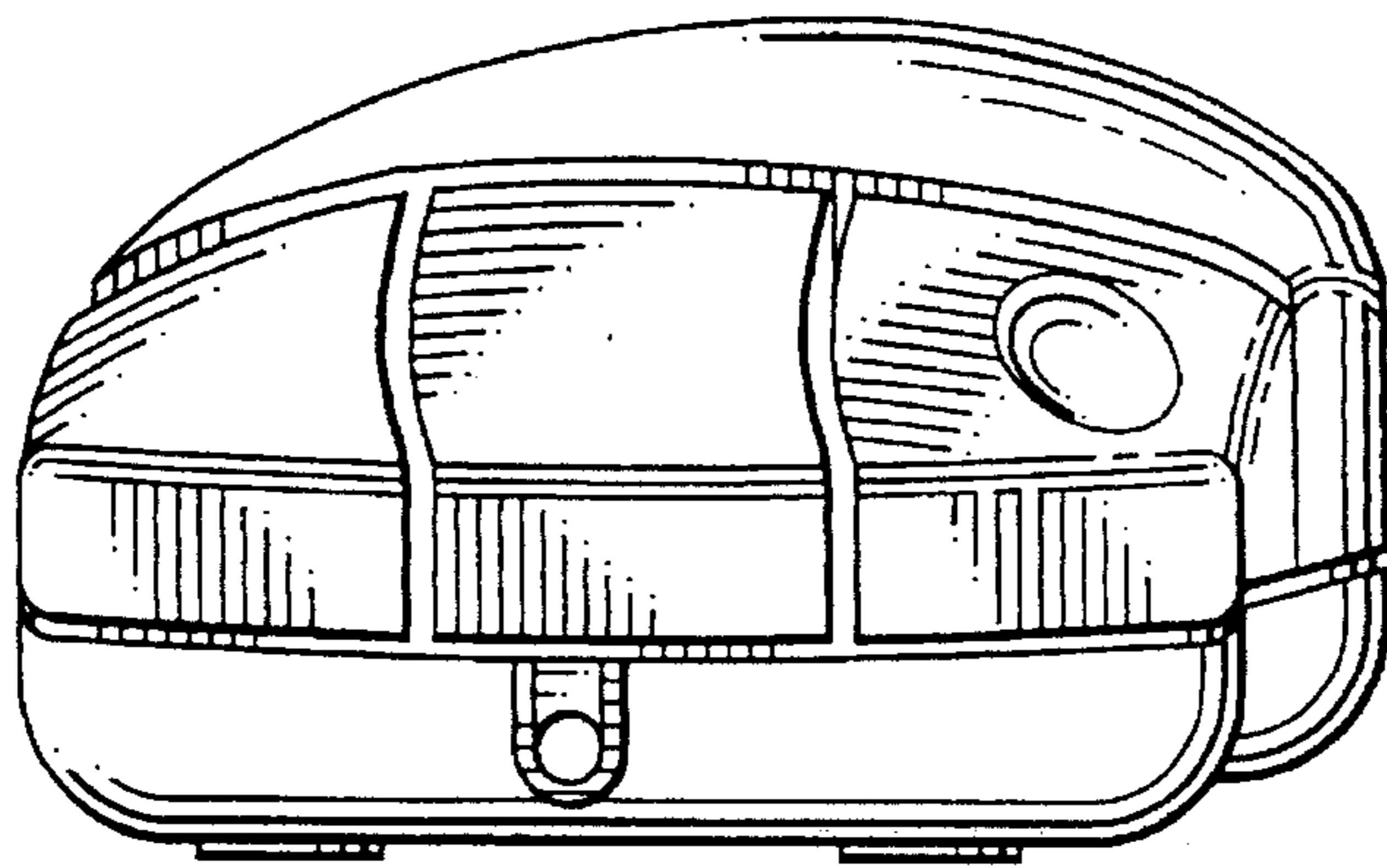


FIG. 5

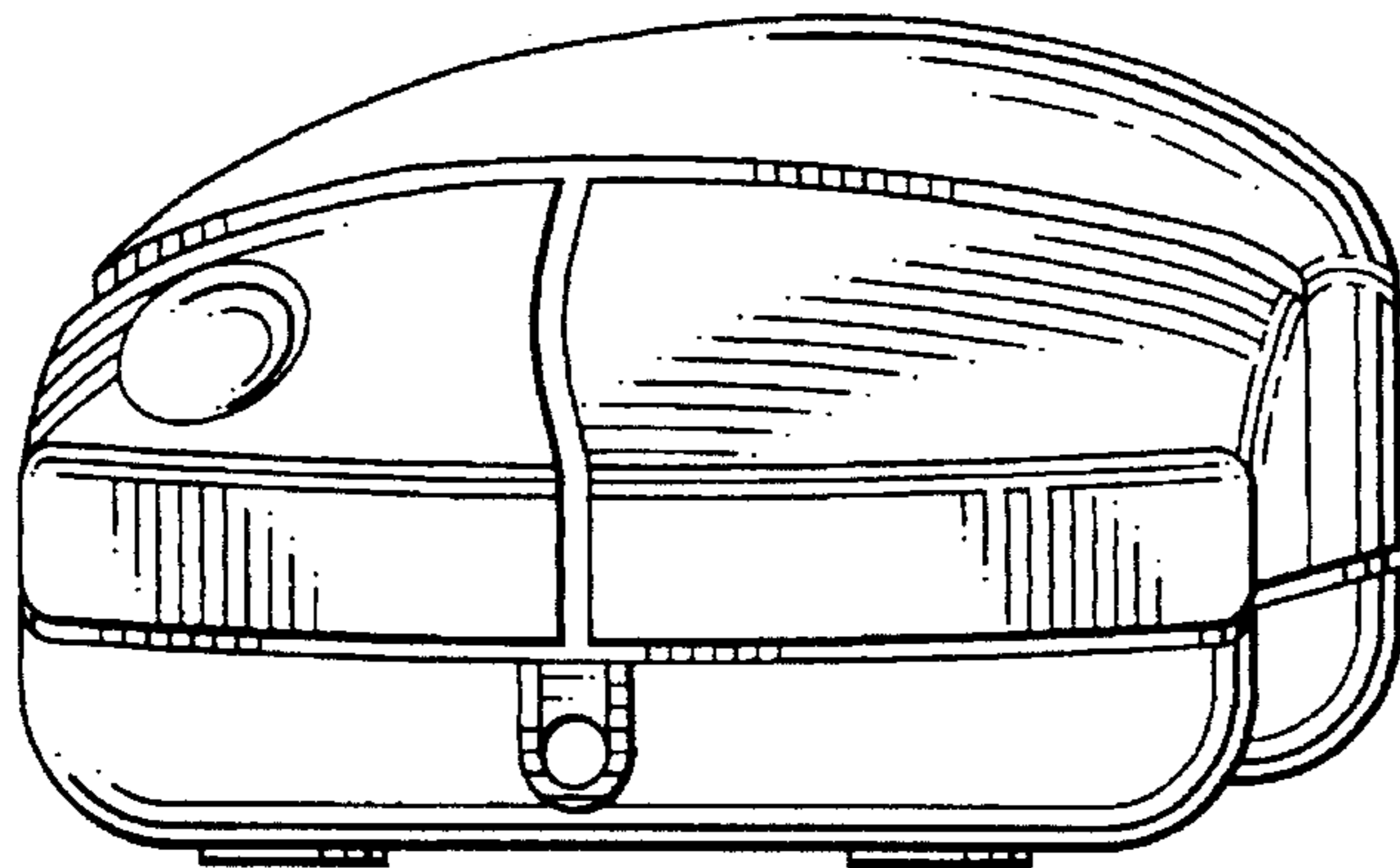


FIG. 6

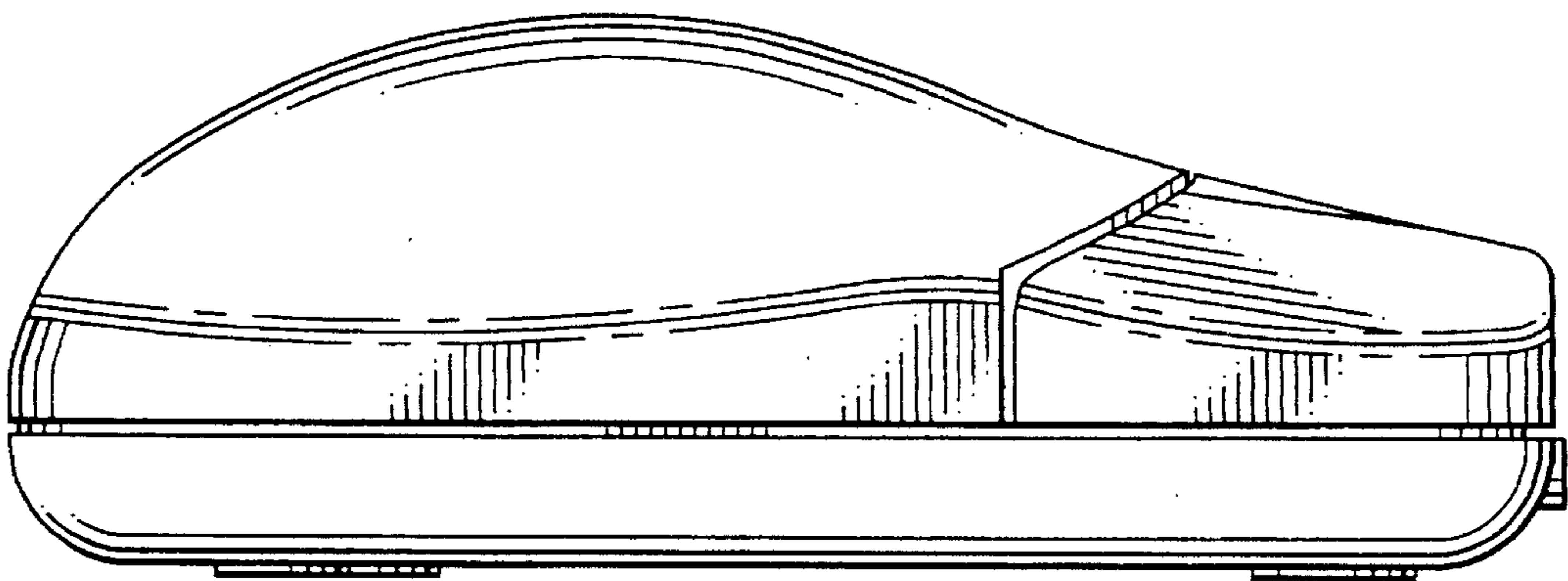


FIG. 7

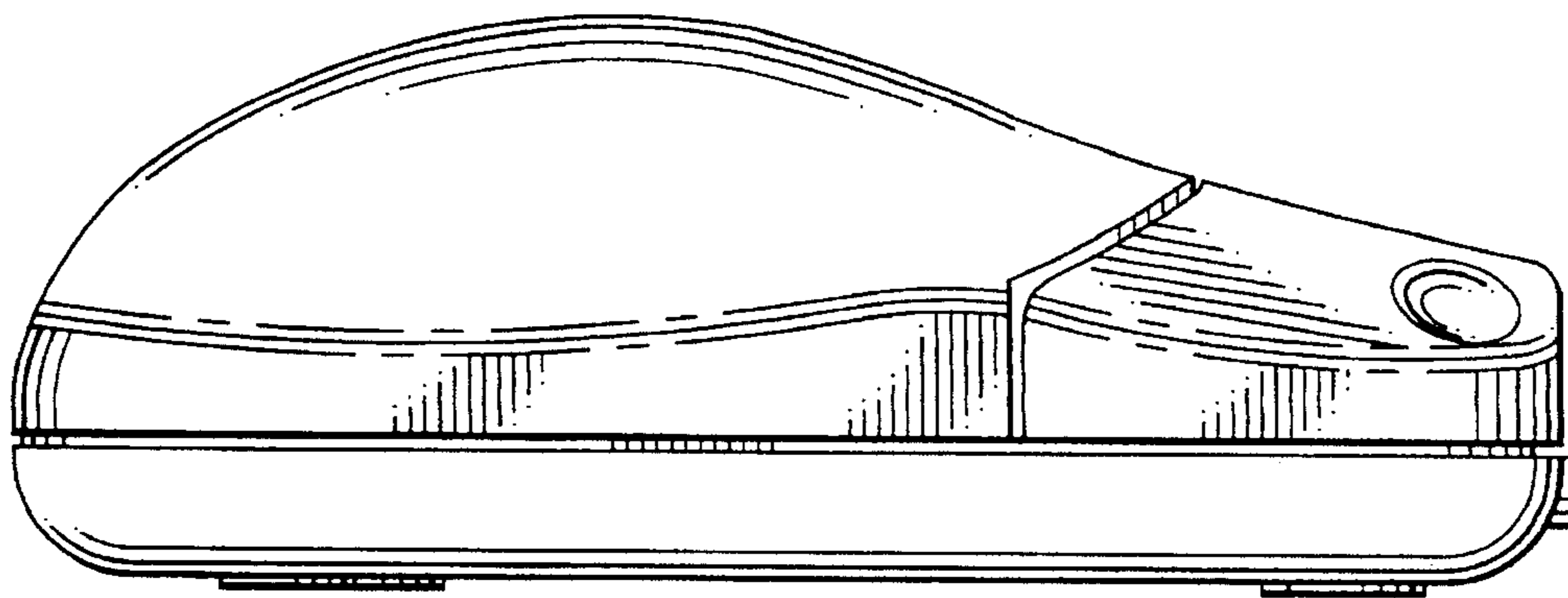


FIG. 8

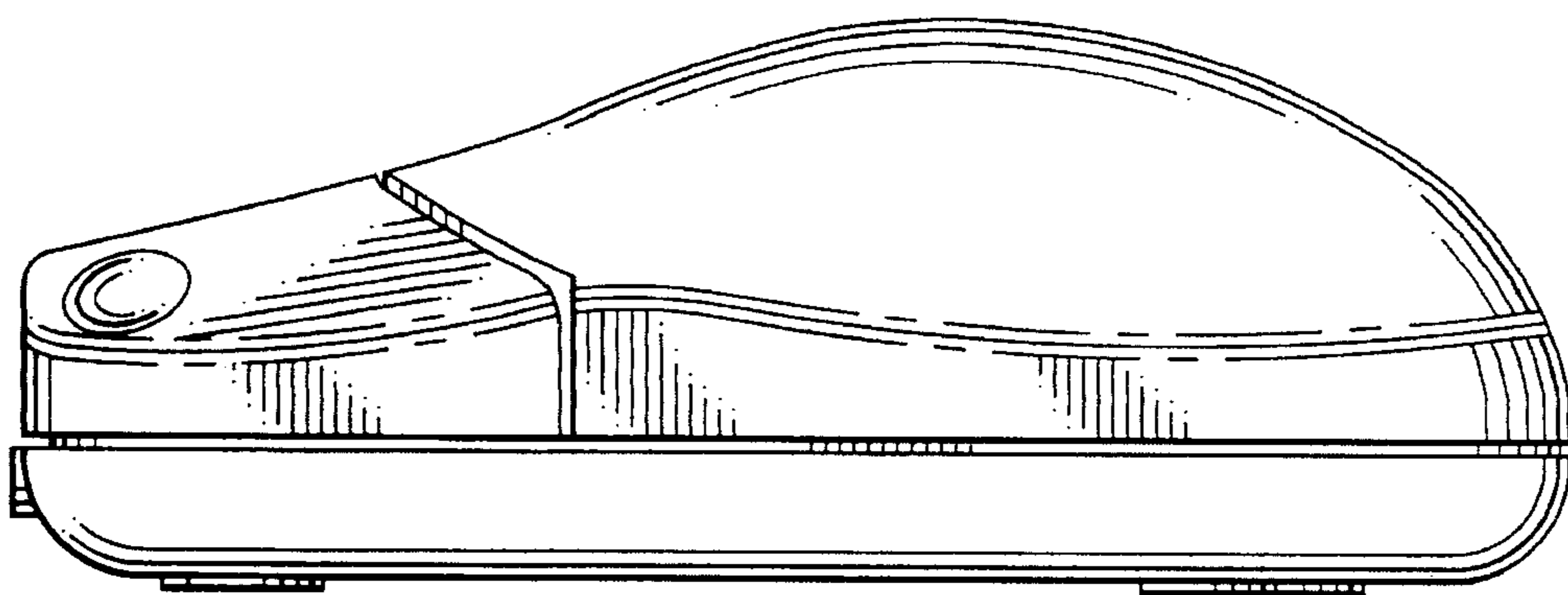


FIG. 9

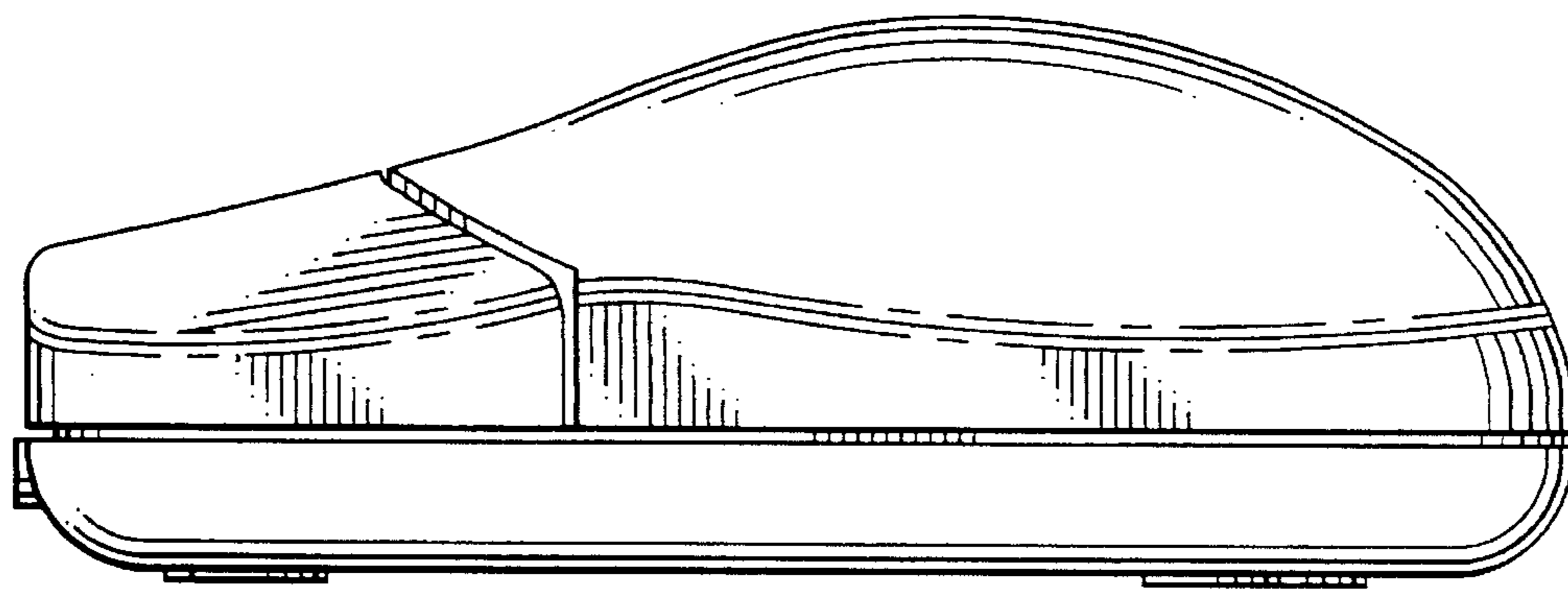


FIG. 10

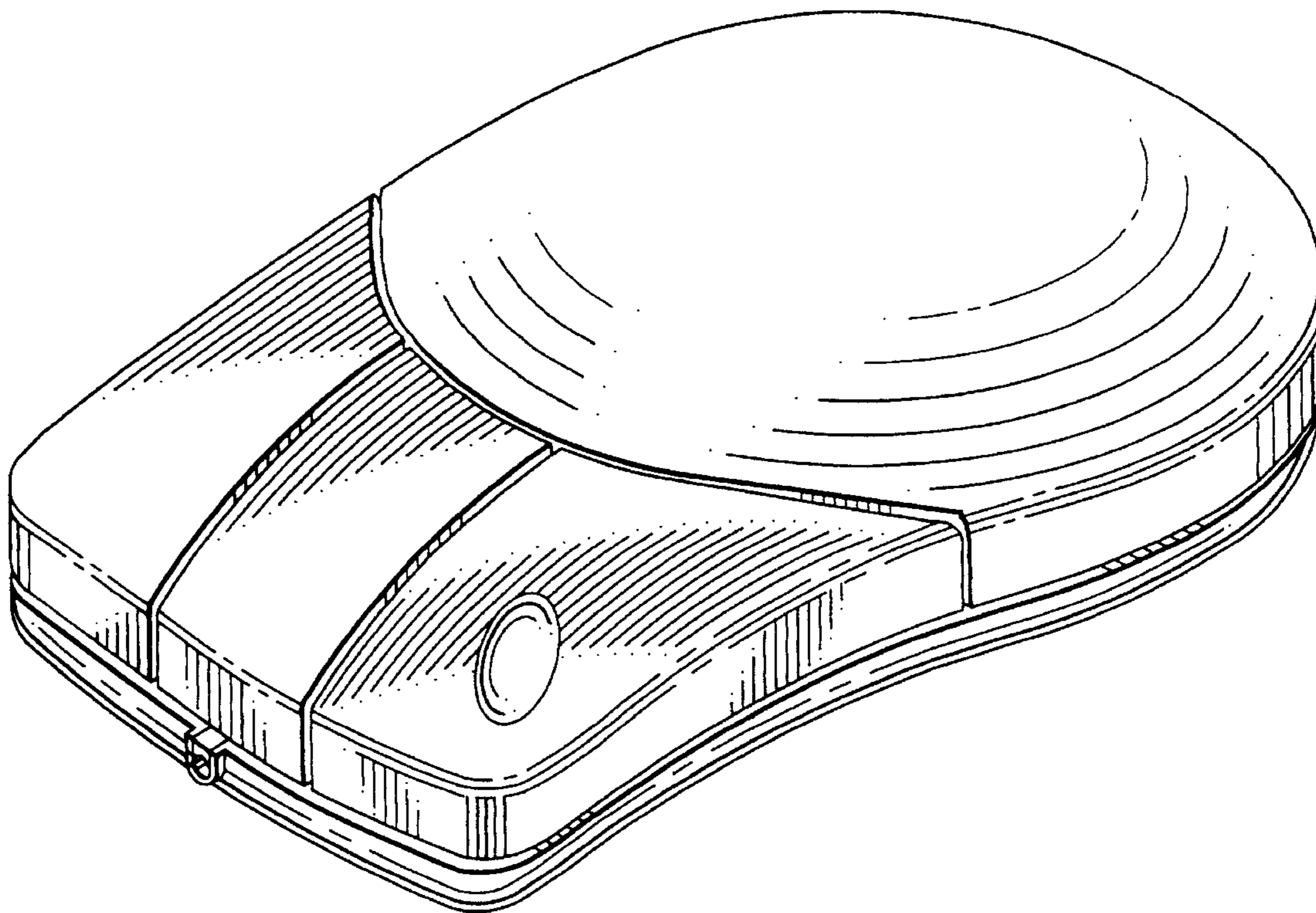


FIG. 11

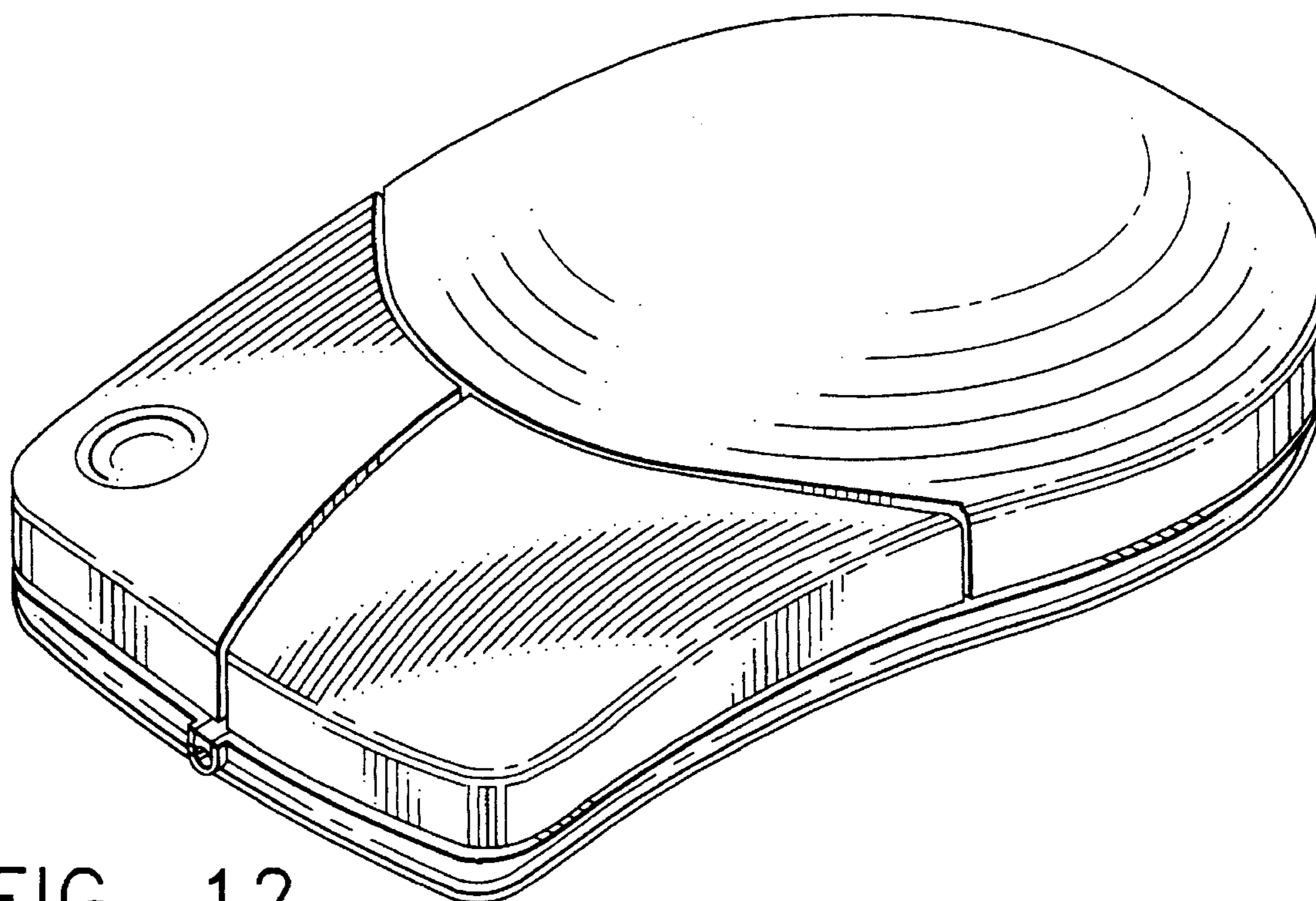


FIG. 12