



US00D373120S

United States Patent [19]

André et al.

[11] Patent Number: **Des. 373,120**

[45] Date of Patent: ****Aug. 27, 1996**

[54] **COMPUTER DISPLAY**

[75] Inventors: **Bartley K. André**, Menlo Park;
Jonathan P. Ive, San Francisco, both of Calif.

[73] Assignee: **Apple Computer, Inc.**, Cupertino, Calif.

[**] Term: **14 Years**

[21] Appl. No.: **41,879**

[22] Filed: **Jul. 26, 1995**

[52] U.S. Cl. **D14/113; D14/126**

[58] **Field of Search** D14/100, 106,
D14/113, 101, 124-129; 345/104, 133,
156, 168, 173, 87, 901-905; 358/249, 254,
255; 248/917-924

[56] **References Cited**

U.S. PATENT DOCUMENTS

D. 305,755 1/1990 Suyama et al. D14/113

D. 347,001 5/1994 Lee D14/113

D. 350,341 9/1994 Landry D14/113

D. 361,550 8/1995 Mundt et al. D14/100

Primary Examiner—Freda Nunn
Attorney, Agent, or Firm—Nancy R. Simon

[57] **CLAIM**

The ornamental design for a computer display, as shown.

DESCRIPTION

FIG. 1 right, front perspective view of a computer display showing our new design;

FIG. 2 is a front view thereof;

FIG. 3 is a right side view thereof;

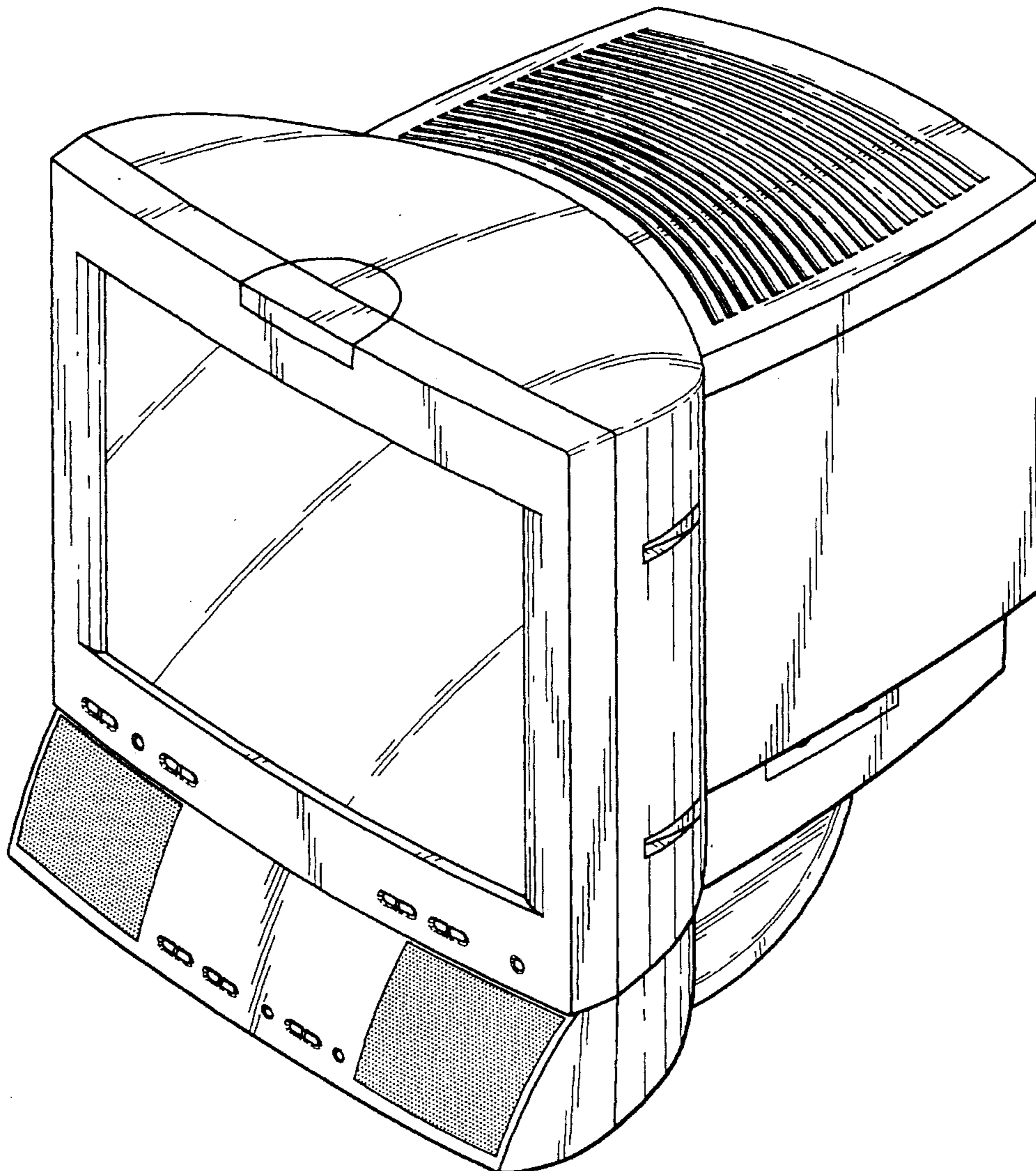
FIG. 4 is a left side view thereof;

FIG. 5 is a back view thereof;

FIG. 6 is a top view thereof; and,

FIG. 7 is a bottom view thereof.

1 Claim, 7 Drawing Sheets



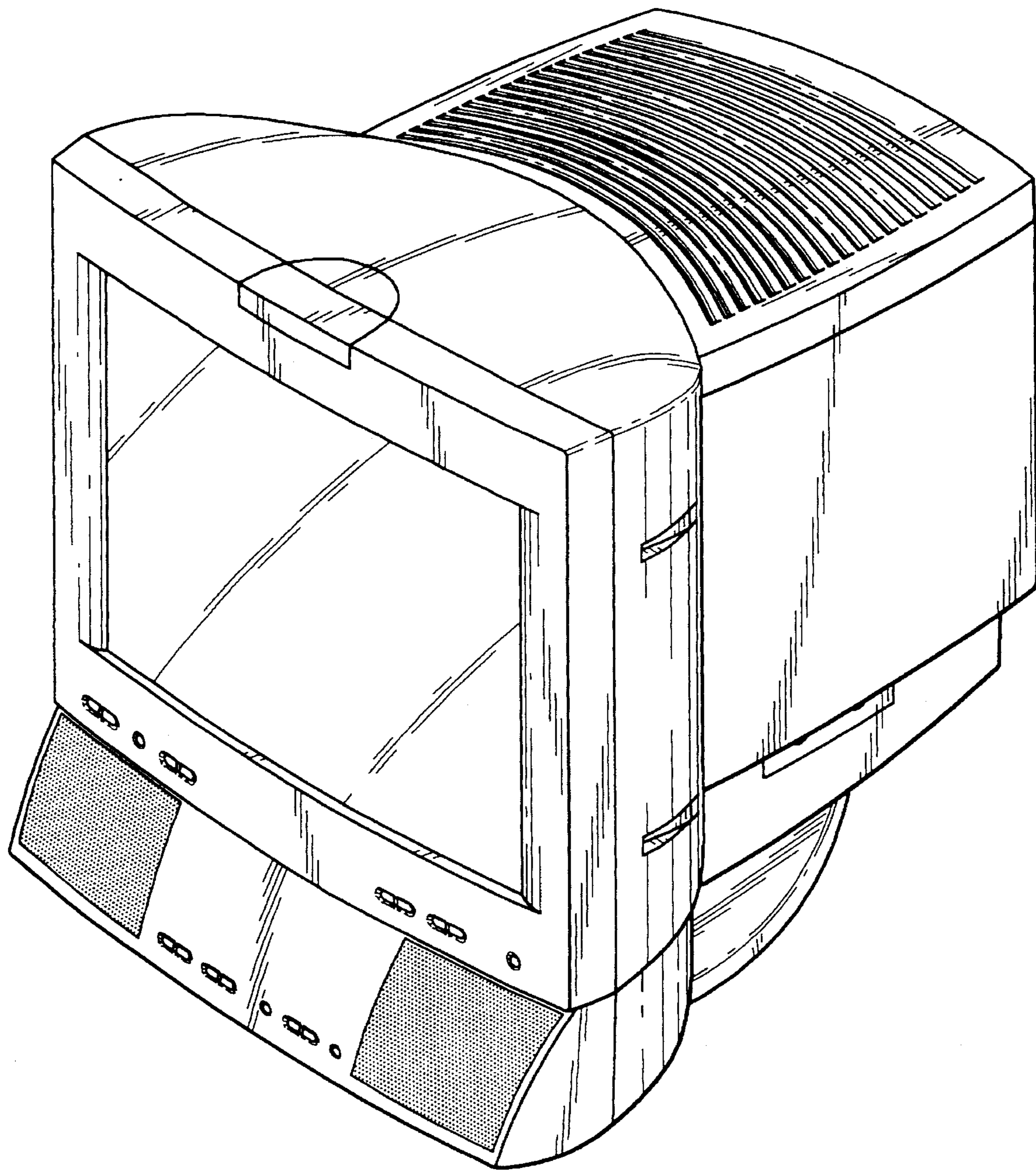


FIG. 1

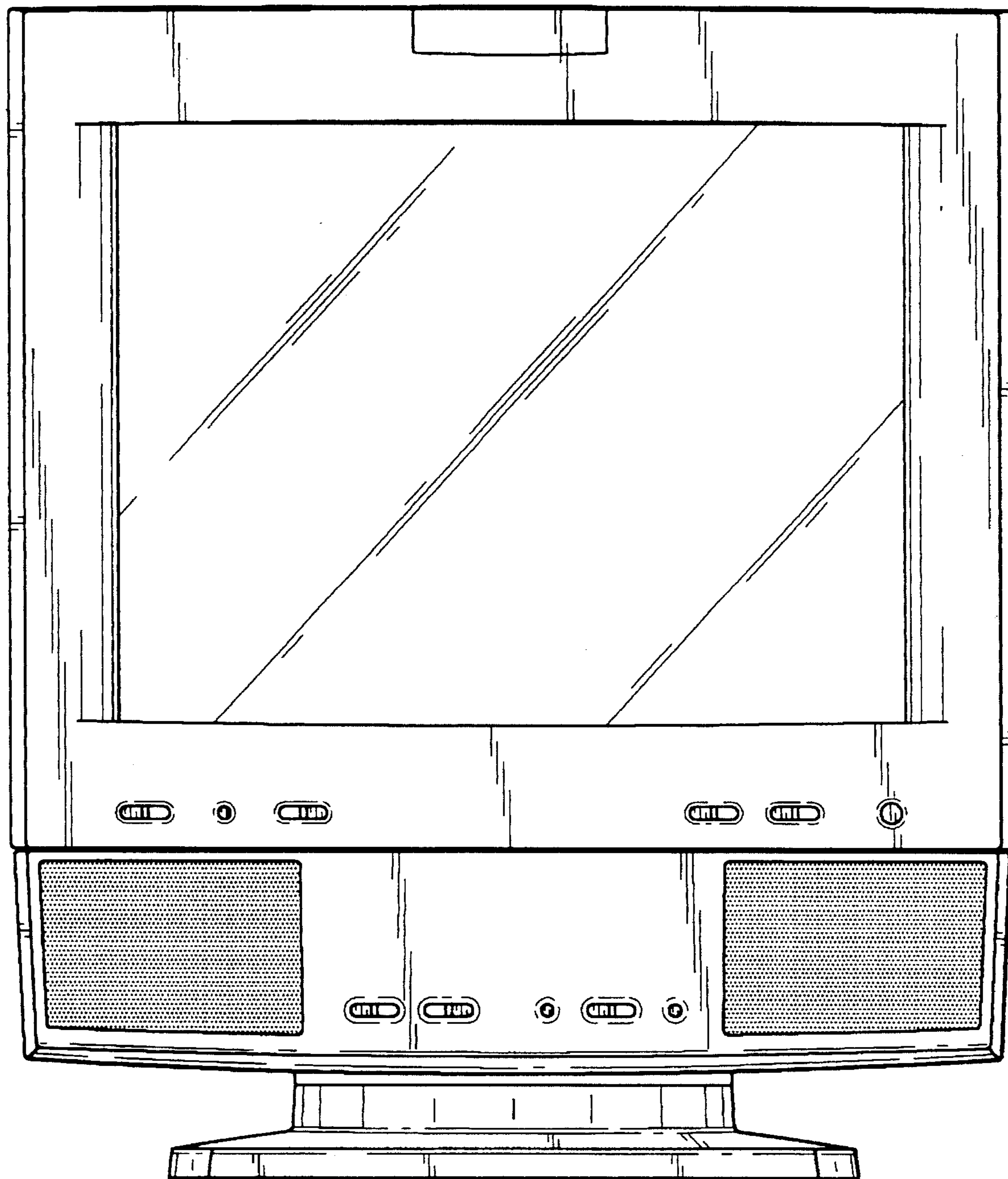


FIG. 2

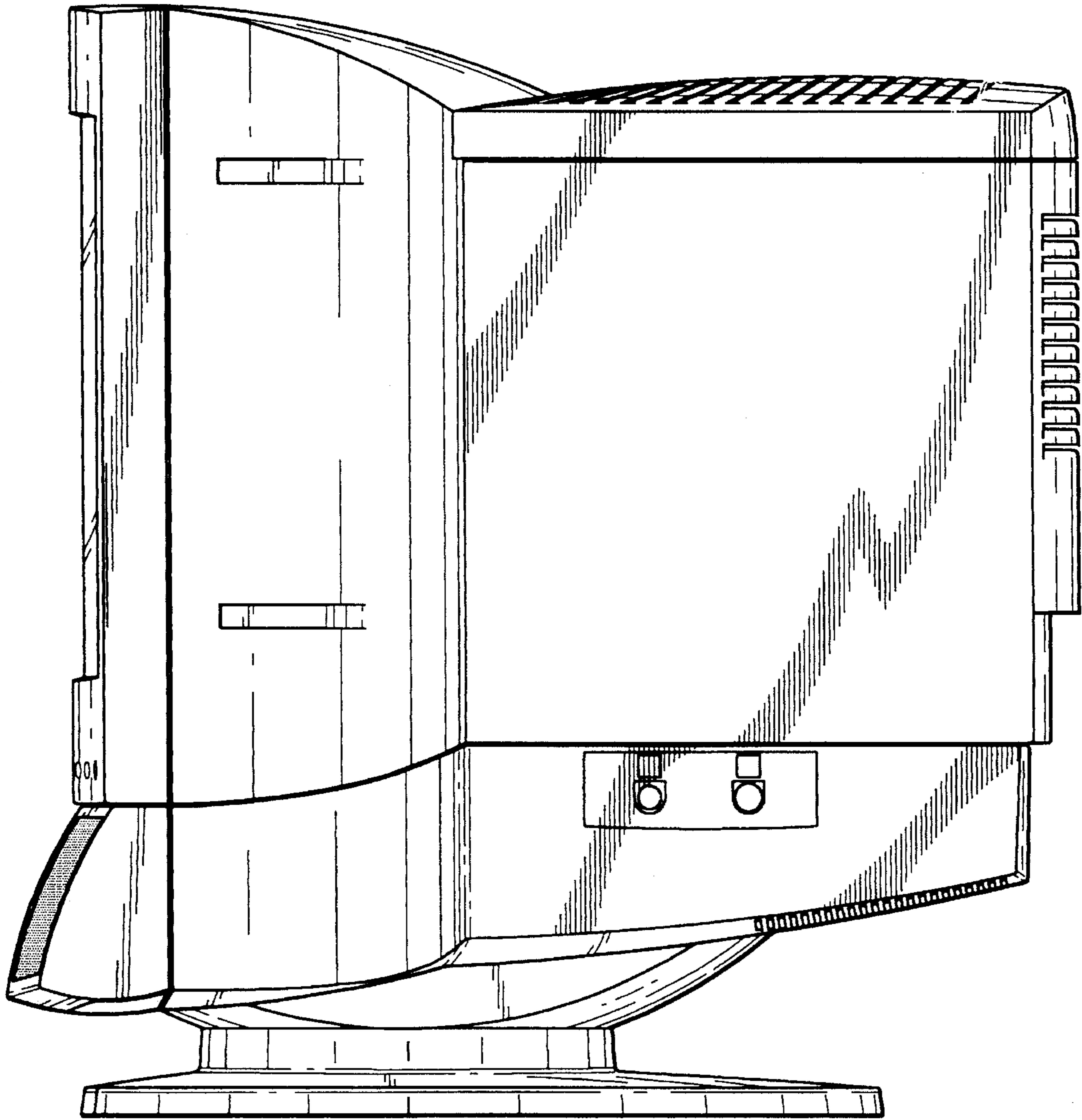


FIG. 3

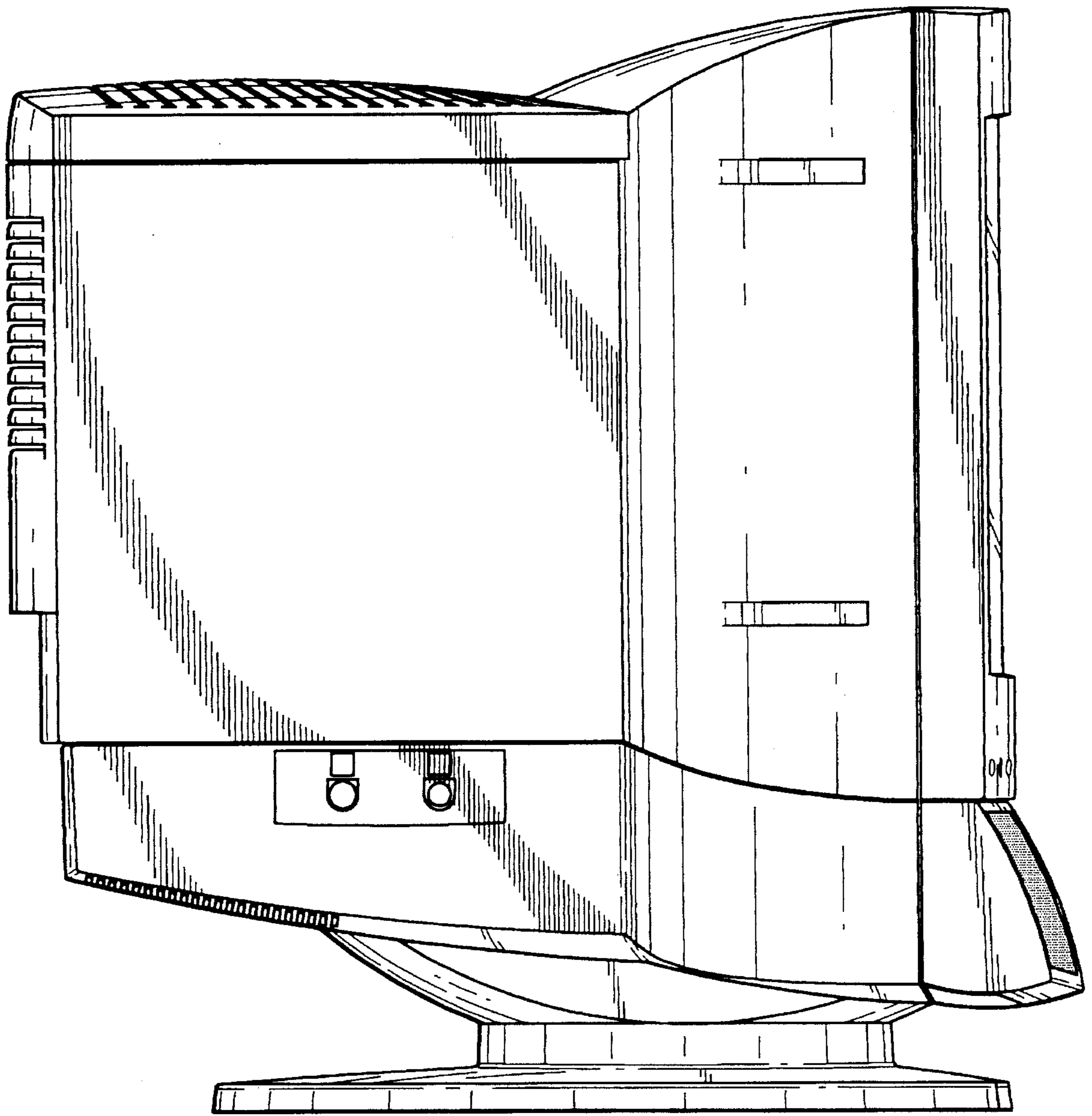


FIG. 4

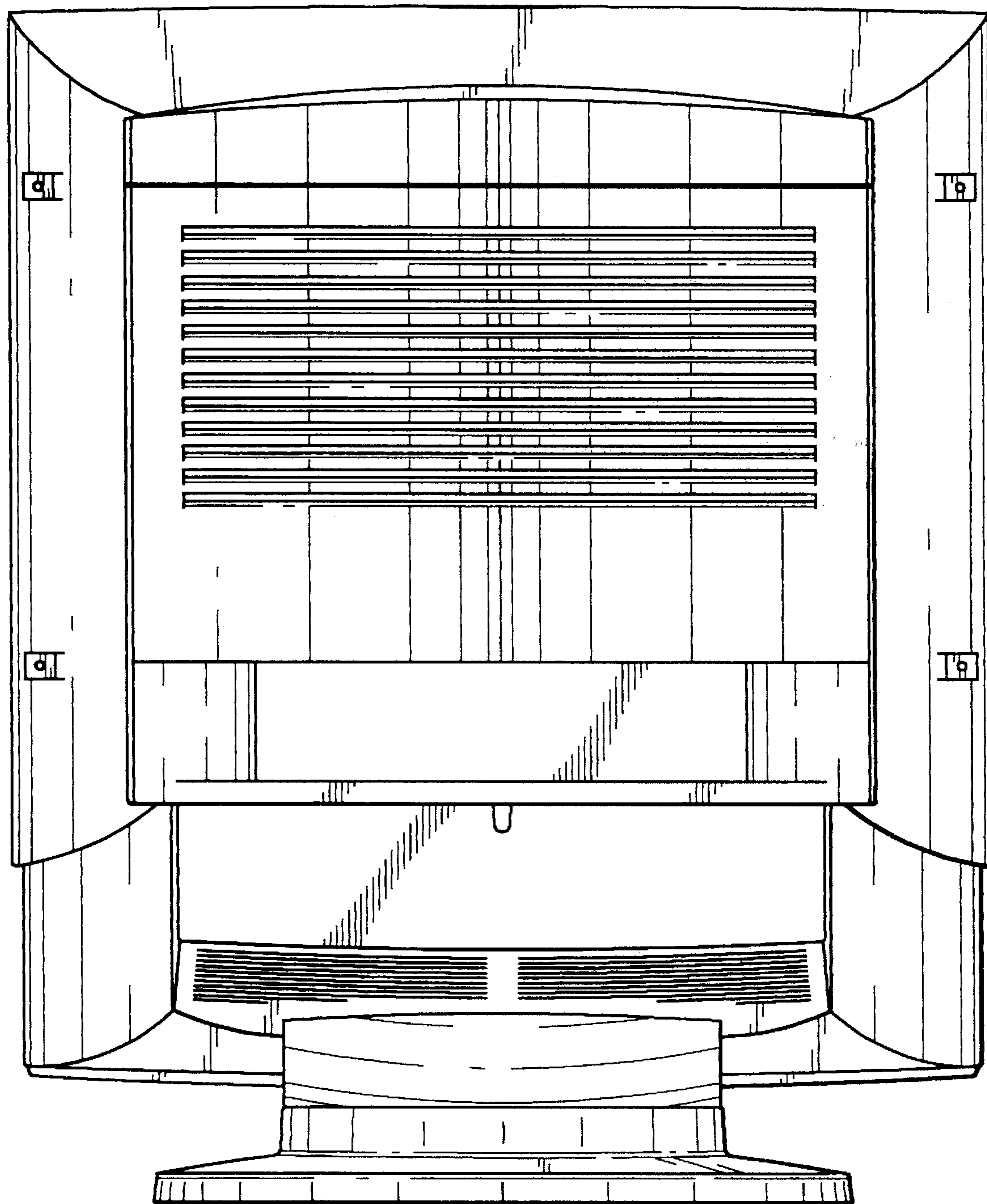


FIG. 5

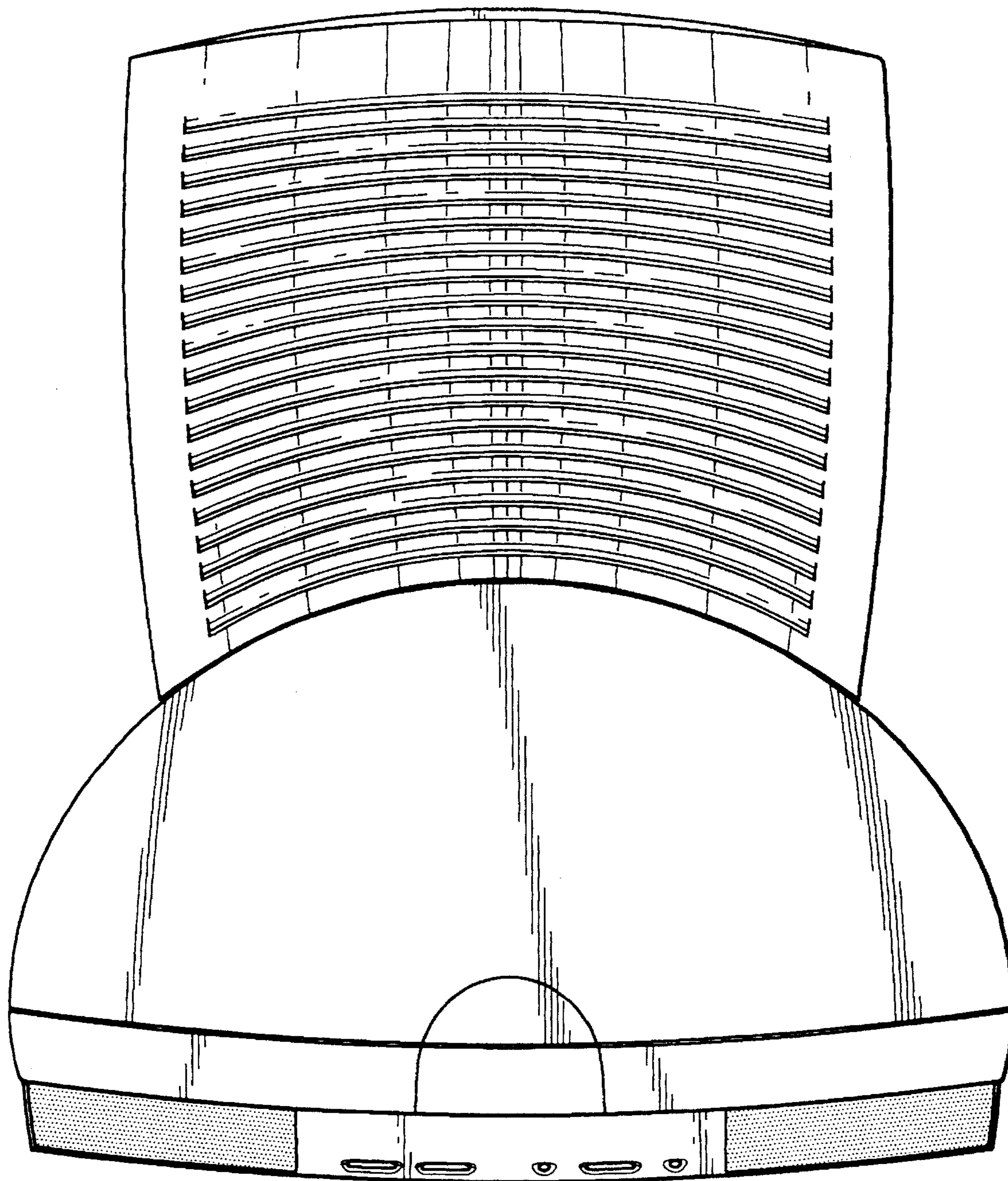


FIG. 6

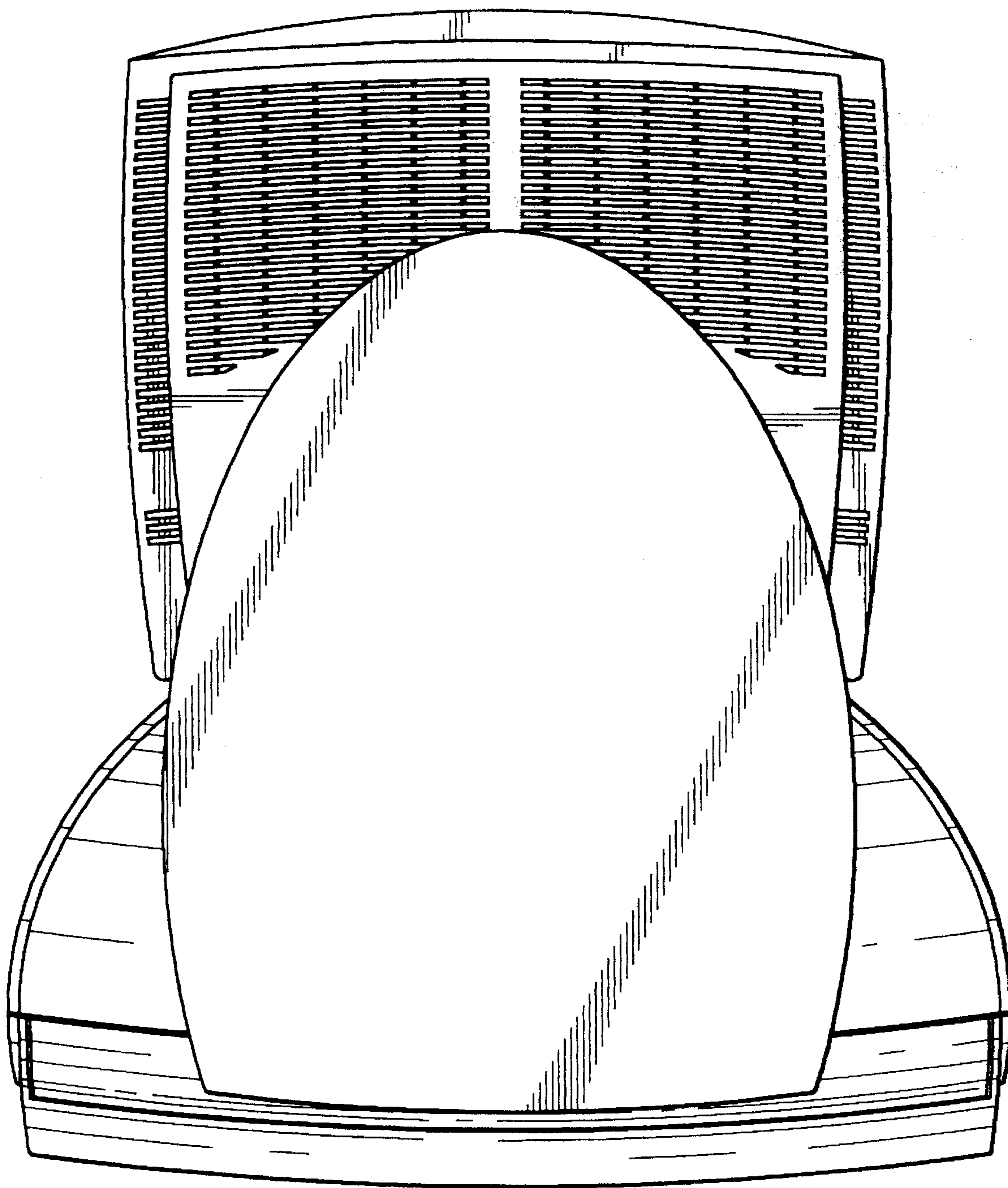


FIG. 7