



US00D373118S

# United States Patent [19]

Naruki

[11] Patent Number: **Des. 373,118**

[45] Date of Patent: **\*\*Aug. 27, 1996**

[54] **ELECTRONIC COMPUTER**

[75] Inventor: **Masatomo Naruki**, Yokohama, Japan

[73] Assignee: **Kabushiki Kaishi Toshiba/Toshiba Corporation**, Kanagawa-ken, Japan

[\*\*] Term: **14 Years**

[21] Appl. No.: **40,510**

[22] Filed: **Jun. 20, 1995**

### [30] Foreign Application Priority Data

Dec. 22, 1994 [JP] Japan ..... 6-38902

[52] U.S. Cl. .... **D14/100**; D19/60

[58] Field of Search ..... D14/100, 106, D14/115, 114; 178/18, 19; D19/59, 60; 345/104, 156, 173, 901, 905; 364/708.1, 709.04, 709.12; 434/307-309, 317

### [56] References Cited

#### U.S. PATENT DOCUMENTS

- D. 270,061 8/1983 Ackeret .
- D. 270,062 8/1983 Ackeret .
- D. 270,063 8/1983 Ackeret .
- D. 289,873 5/1987 Gemmell et al. .
- D. 313,409 1/1991 Chowdhree et al. .... D14/114
- D. 315,549 3/1991 Clough et al. .
- D. 315,895 4/1991 Paine et al. .
- D. 332,776 1/1993 Kelly et al. .
- D. 337,569 7/1993 Kando .
- D. 340,701 10/1993 Takeuchi .
- D. 341,823 11/1993 Sakai .
- D. 345,346 3/1994 Alfonso et al. .
- D. 346,793 5/1994 Lino et al. .
- D. 360,195 7/1995 Kimbrough et al. .... D14/100

#### FOREIGN PATENT DOCUMENTS

M9007488 7/1990 Germany .

- M9006876 12/1990 Germany .
- M9103658 5/1991 Germany .
- 850525 6/1989 Japan .
- 850526 6/1989 Japan .
- 845377 3/1990 Japan .
- 887564 1/1991 Japan .
- D330545 10/1992 Japan ..... D14/113

### OTHER PUBLICATIONS

- NEC Portable Terminal Oct. 25, 1990.
- Grid System, "Pen-style", Mar. 27, 1992.
- Canon, "Touch Panel", Jan. 18, 1991.
- Sanyo, "Pen-style", Oct. 25, 1992.

Primary Examiner—Freda Nunn  
Attorney, Agent, or Firm—Banner & Allegretti, Ltd.

### [57] CLAIM

The ornamental design for an electronic computer, as shown and described.

### DESCRIPTION

FIG. 1 is a top left side and end perspective view of an electronic computer showing my new design;

FIG. 2 is a top plan view thereof;

FIG. 3 is an end elevational view thereof the opposite end being a mirror image;

FIG. 4 is a left side elevational view thereof;

FIG. 5 is a right side elevational view thereof;

FIG. 6 is a bottom plan view thereof; and,

FIG. 7 is a top left side and end perspective view thereof wherein the holder for an input pen is shown in a raised position and the input pen is shown in broken lines for illustrative purposes only and forms no part of the claimed design.

1 Claim, 3 Drawing Sheets

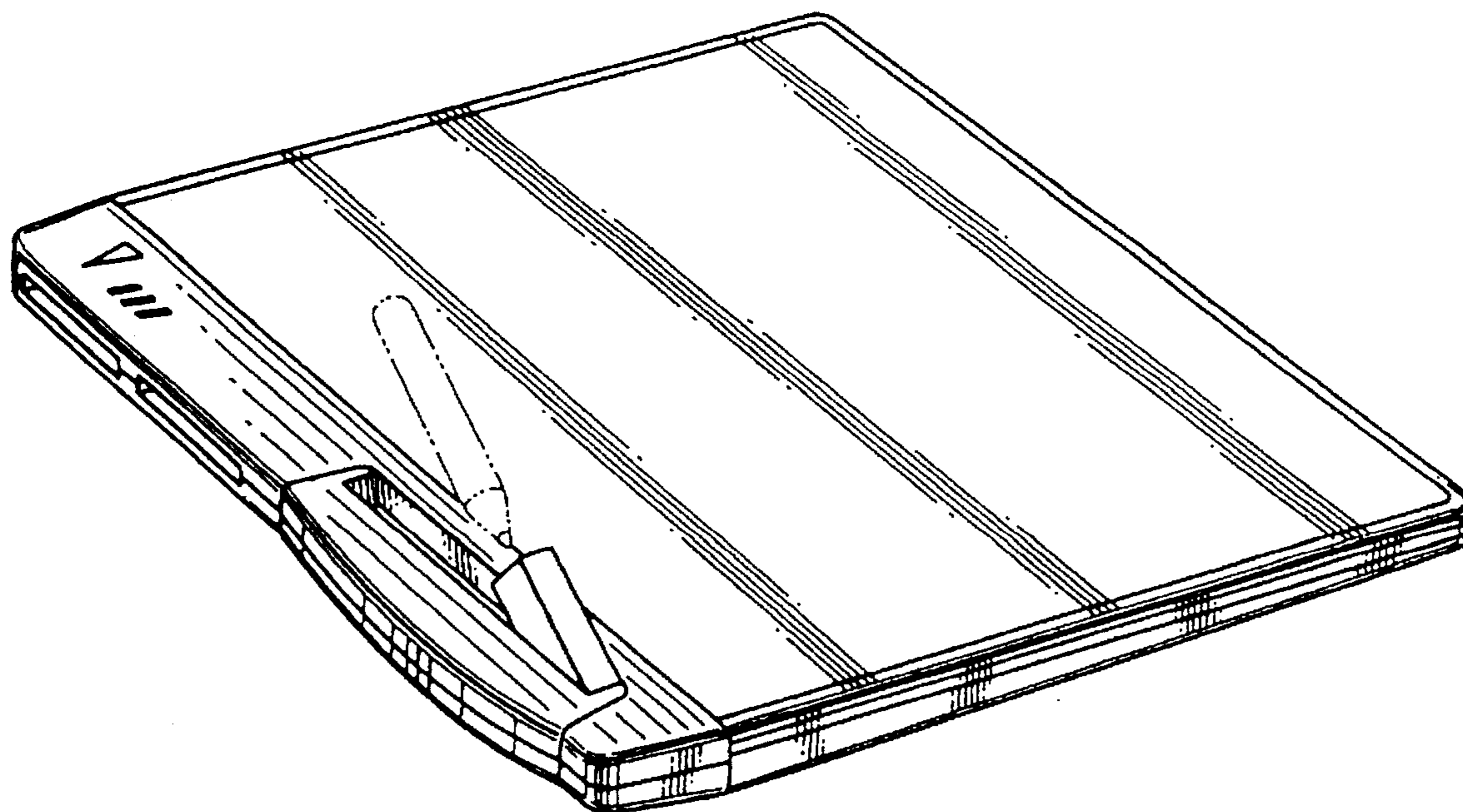


FIG. 1

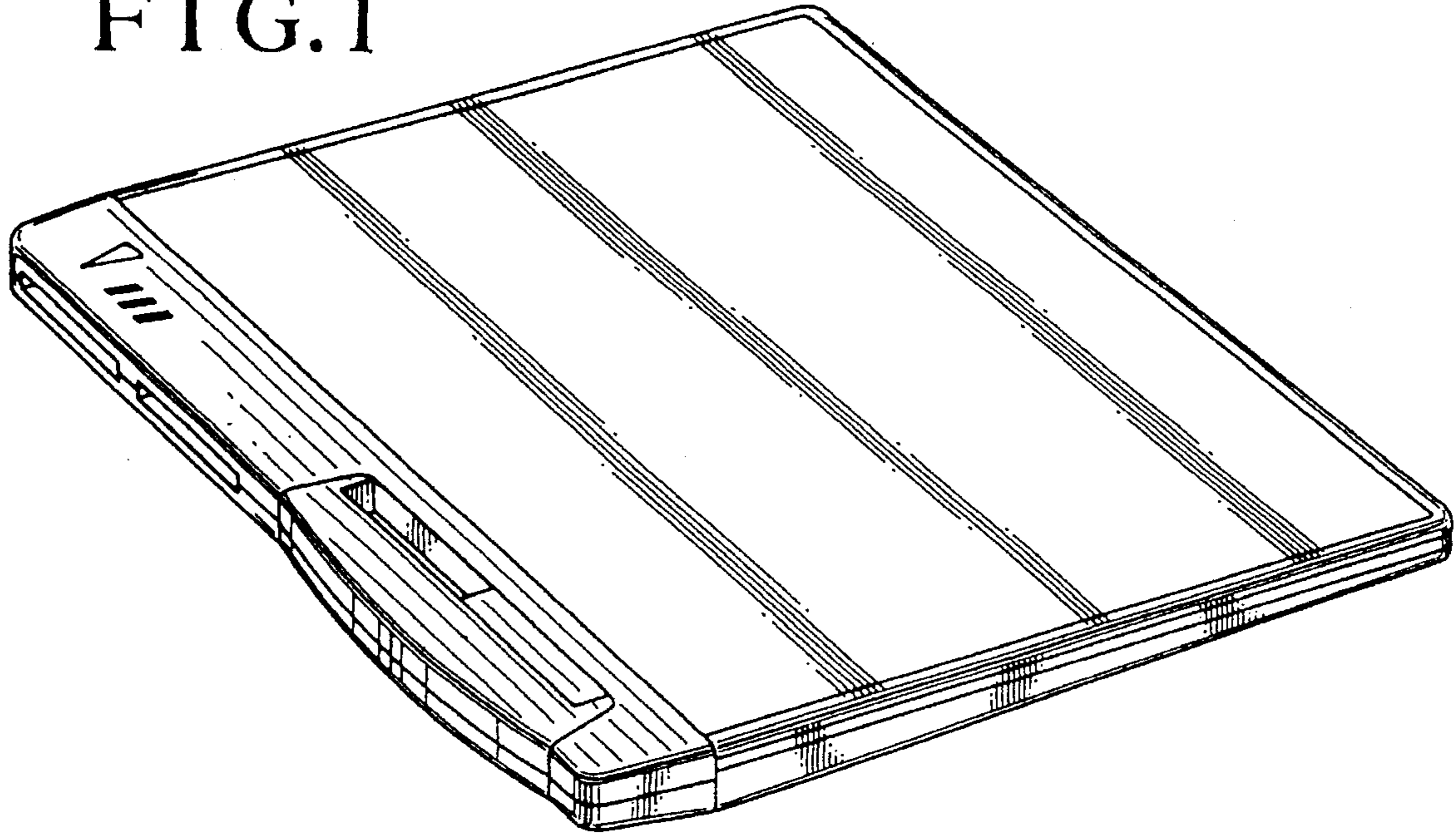


FIG. 2

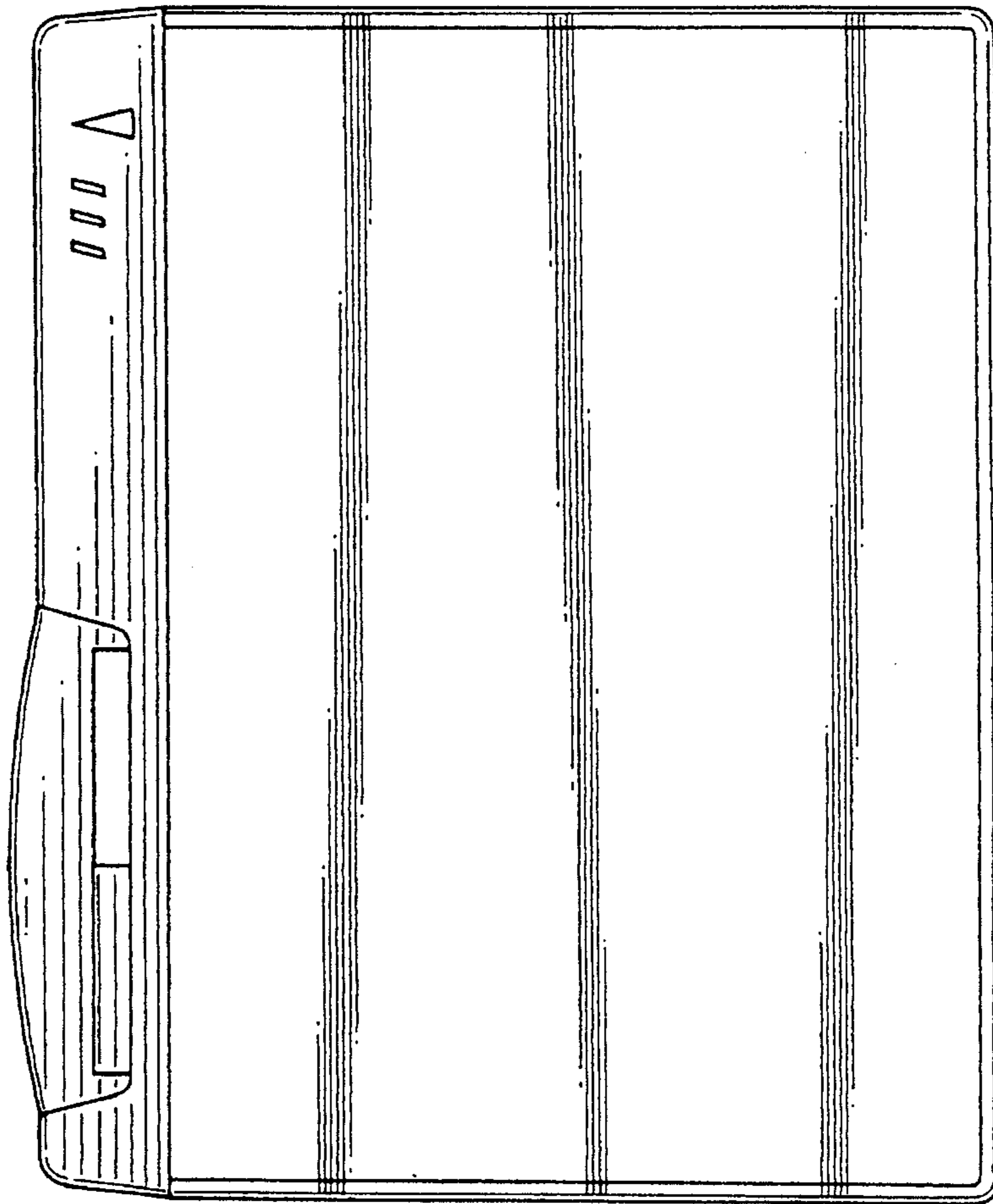


FIG. 3



FIG. 4



FIG. 5



FIG.6

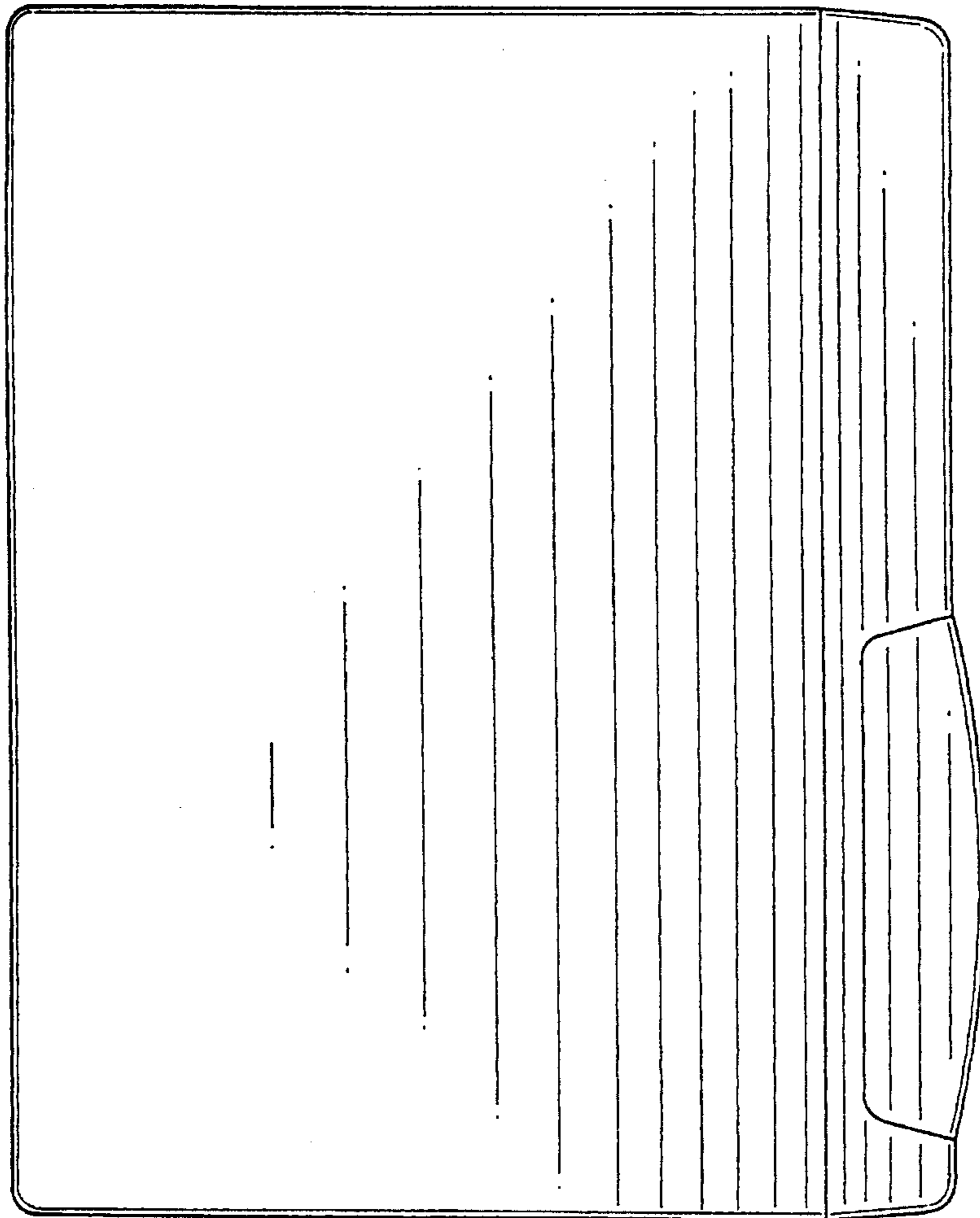


FIG.7

