



US00D373117S

United States Patent [19]

Barthelemy et al.

[11] **Patent Number: Des. 373,117**

[45] **Date of Patent: **Aug. 27, 1996**

[54] **COMPUTER HOUSING**

[75] Inventors: **Matthew Barthelemy**, Burlingame;
Garry Goh, Mountain View; **Daniel K. Harden**, Palo Alto; **Christopher Lenart**, San Francisco; **Barbara Saucedo**, Palo Alto, all of Calif.

[73] Assignee: **Acer America Corporation**, San Jose, Calif.

[**] Term: **14 Years**

[21] Appl. No.: **38,770**

[22] Filed: **May 22, 1995**

[52] U.S. Cl. **D14/100**

[58] **Field of Search** D14/100, 102, D14/107-109; D13/162, 184, 199; D6/432, 436, 445, 448; 312/208.1, 223.2, 223.3, 194, 293; 360/97.01, 97.04, 98.01, 99.01, 99.12; 361/694

[56] **References Cited**

U.S. PATENT DOCUMENTS

D. 328,735 8/1992 Barbera et al. D14/100

D. 331,570 12/1992 Koiwa D14/100
D. 347,212 5/1994 Riley D14/100
D. 357,903 5/1995 Lin D14/100
D. 361,756 8/1995 Seid et al. D14/109 X
D. 362,237 9/1995 Nakada D14/100

Primary Examiner—Freda Nunn
Attorney, Agent, or Firm—Townsend and Townsend and Crew

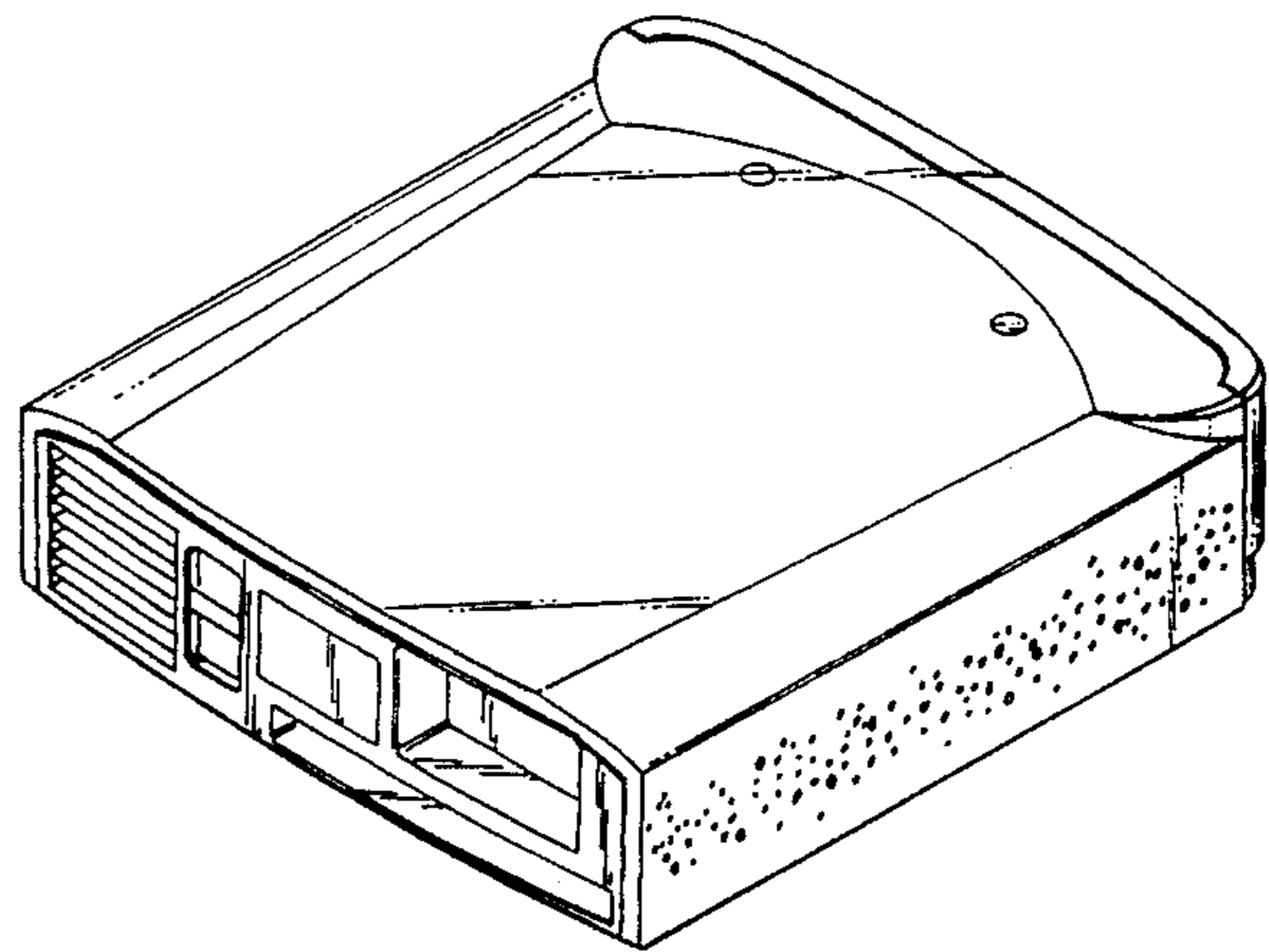
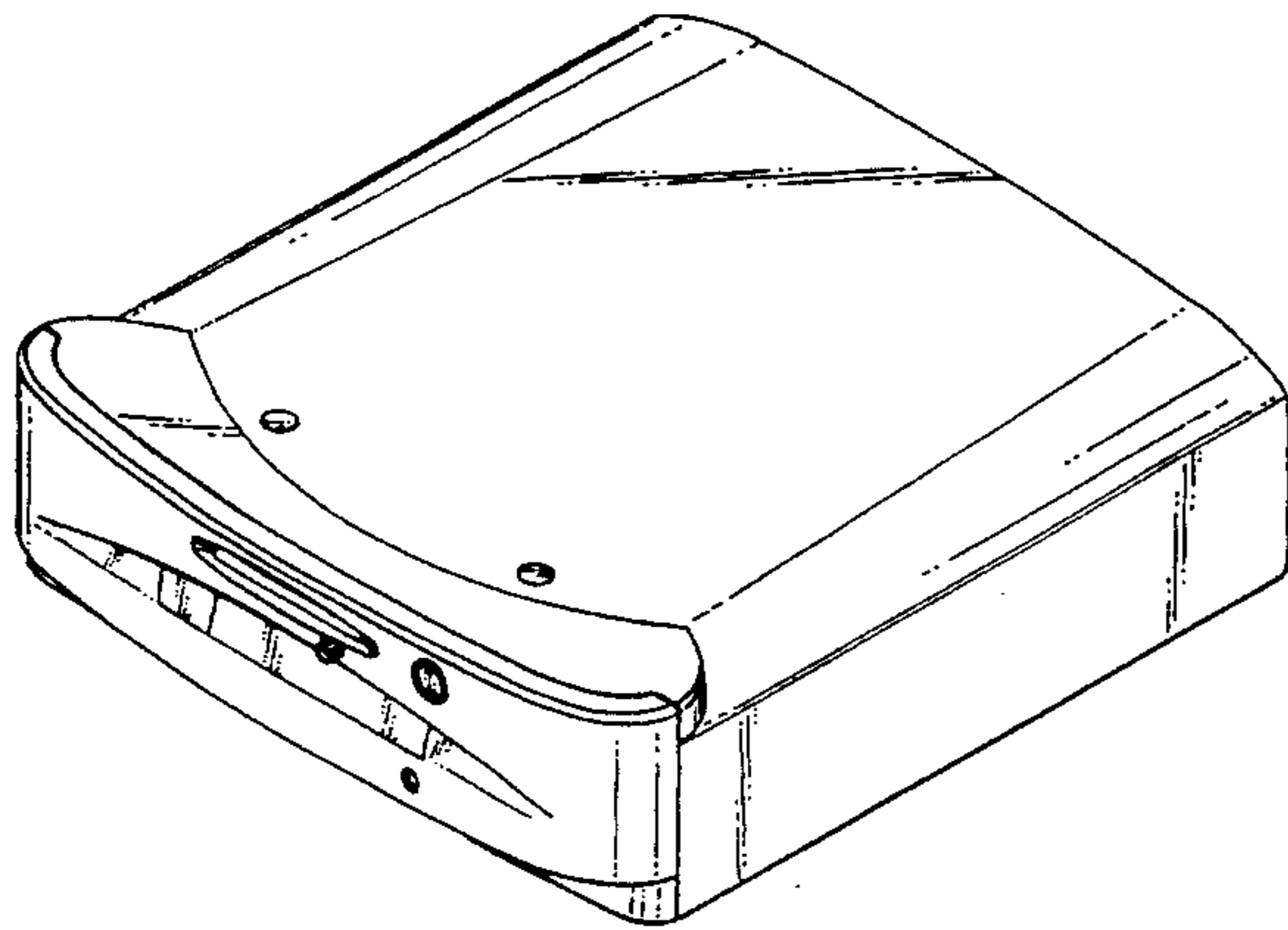
[57] **CLAIM**

The ornamental design for a computer housing, as shown and described.

DESCRIPTION

FIG. 1 is a the front, top, right side perspective view of a computer housing showing our new design;
FIG. 2 is a top, left side, rear perspective view thereof;
FIG. 3 is a reduced bottom plan view thereof; and,
FIG. 4 is an enlarged fragmentary view illustrating the numerous randomly positioned holes formed in the left side portion of the housing.

1 Claim, 2 Drawing Sheets



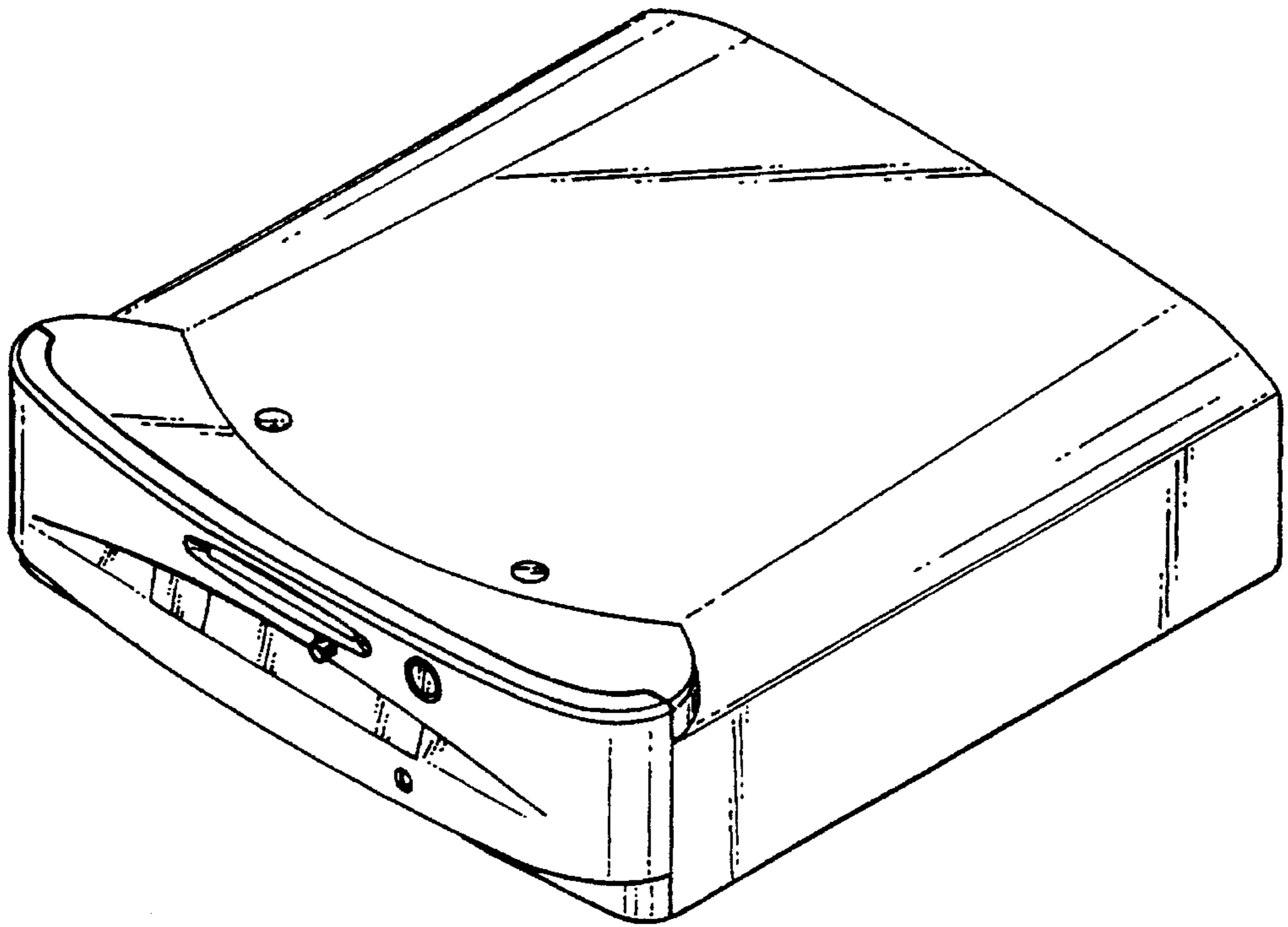


FIG. 1.

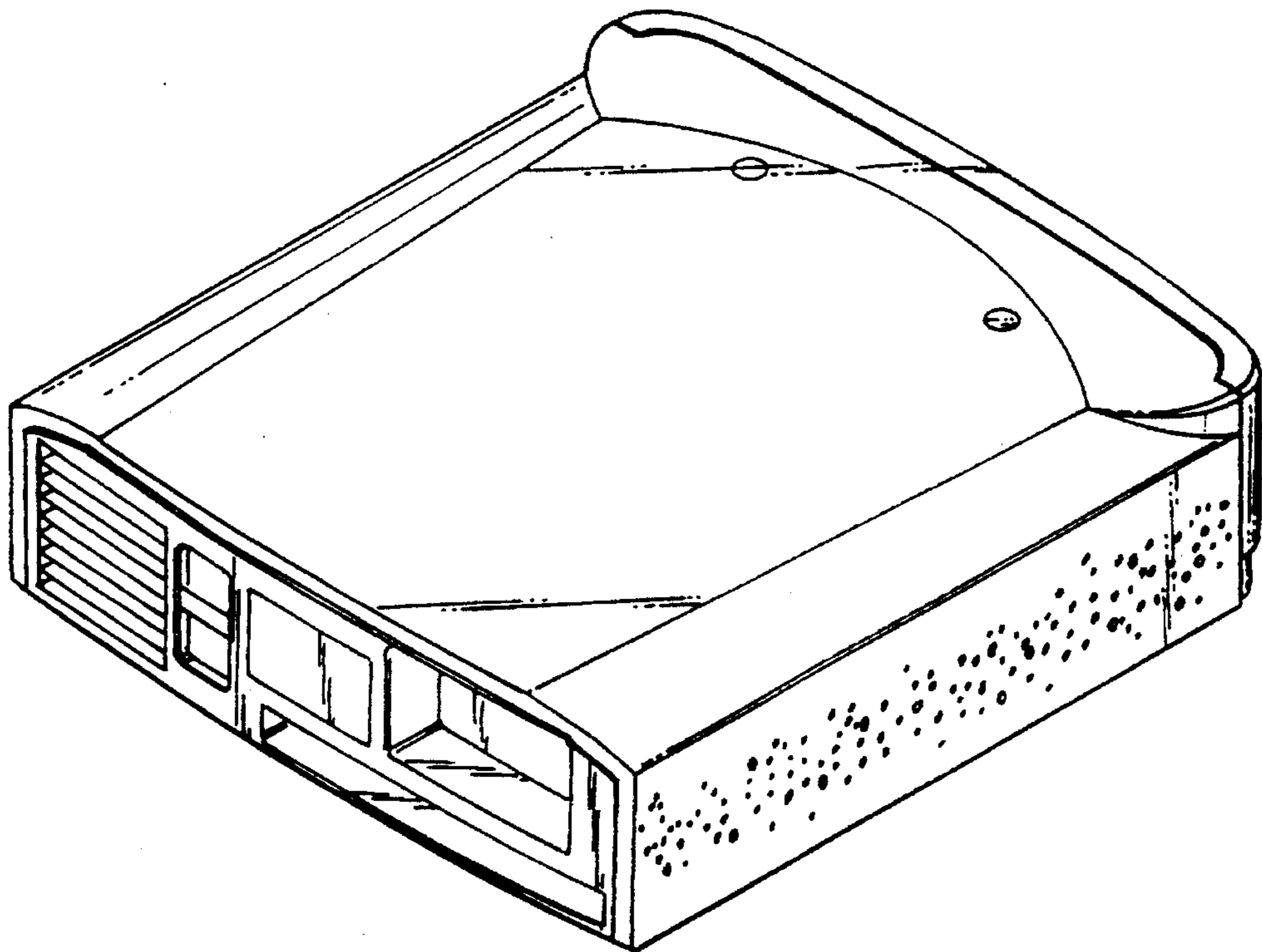


FIG. 2.

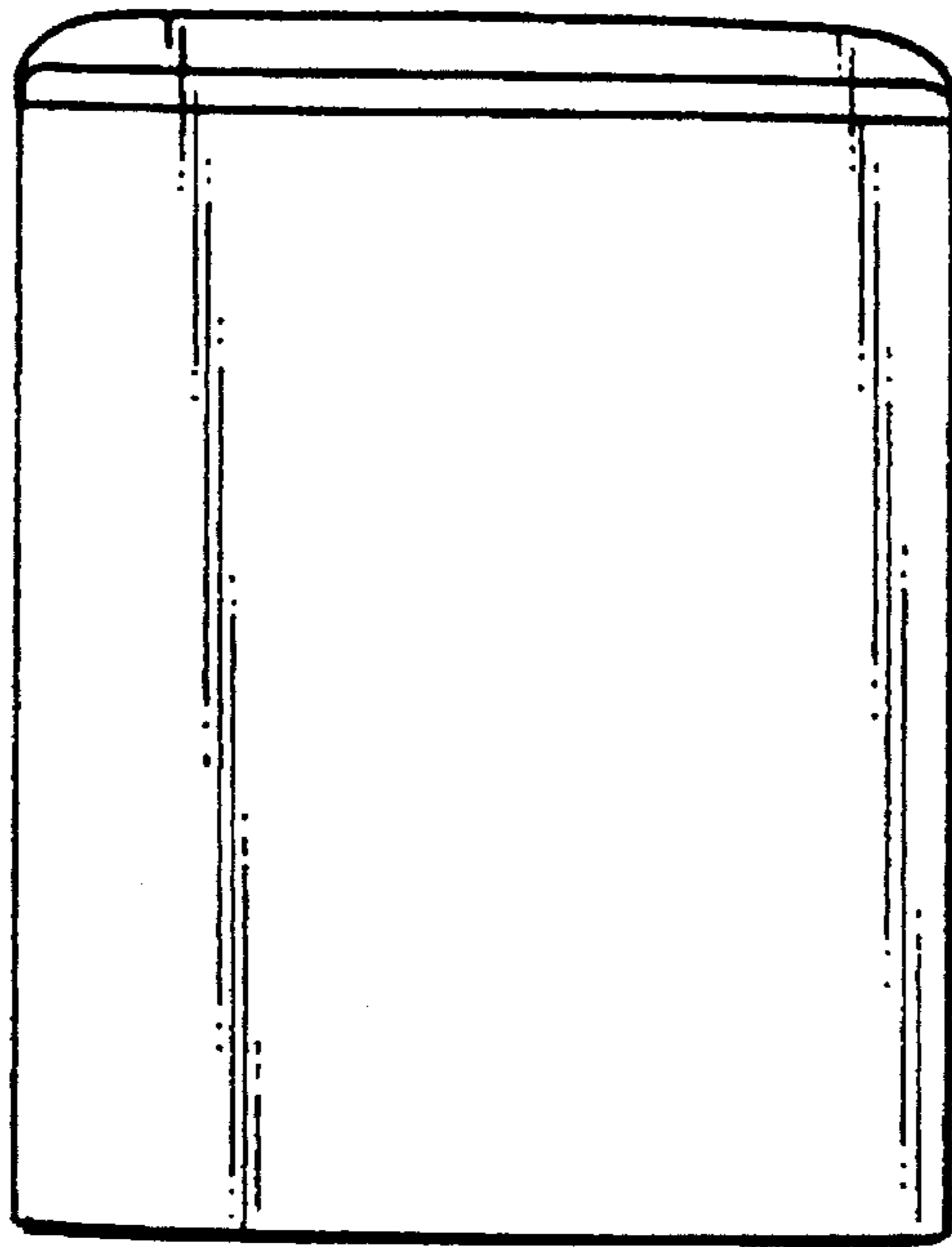


FIG. 3.

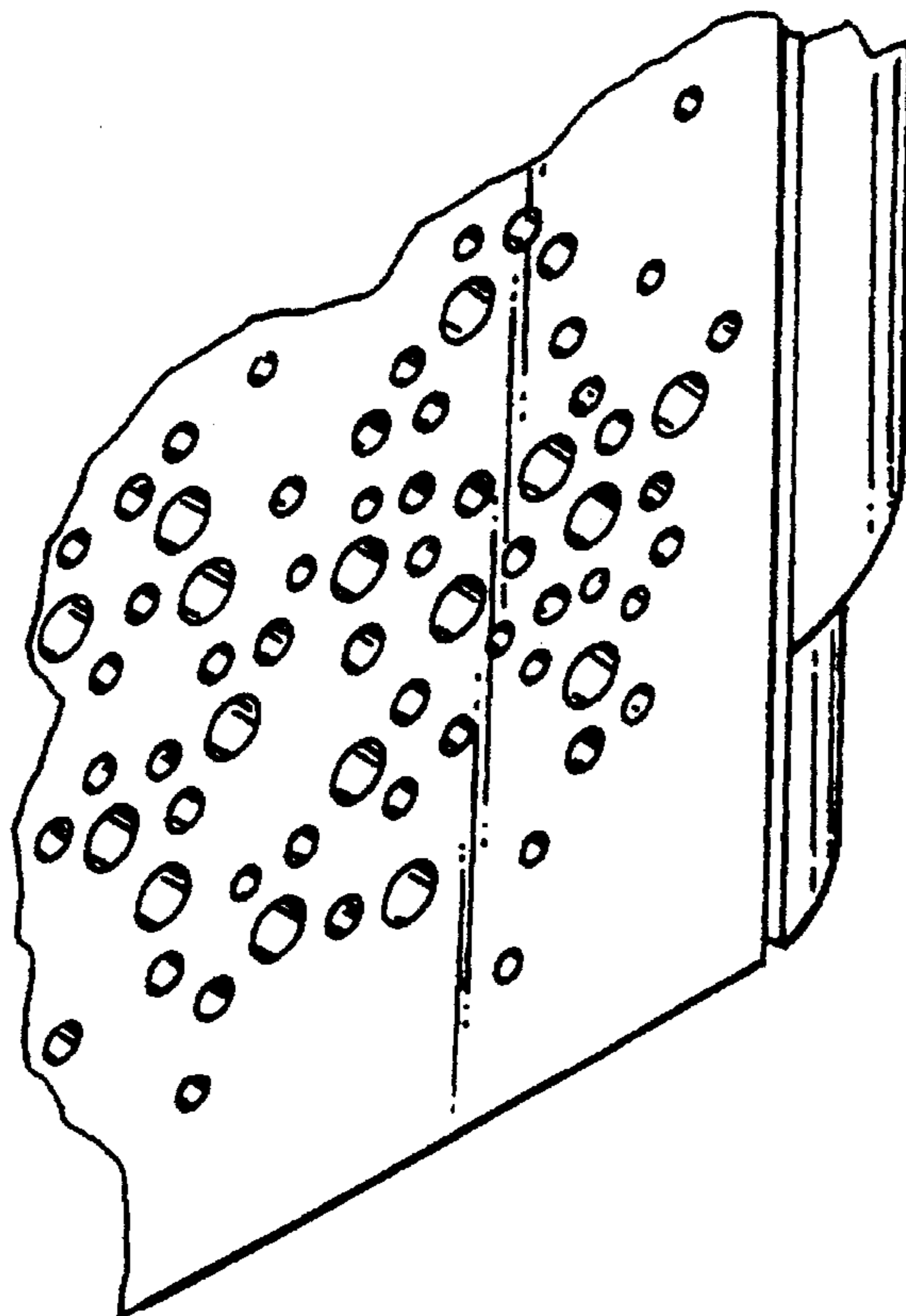


FIG. 4.