



US00D373112S

United States Patent [19]
Kim

[11] **Patent Number: Des. 373,112**
[45] **Date of Patent: **Aug. 27, 1996**

[54] **MAGNETIC CONTACTOR**
[75] Inventor: **Dong H. Kim**, Seoul, Rep. of Korea
[73] Assignee: **Goldstar Electric Machinery Co., Ltd.**, Seoul, Rep. of Korea
[**] Term: **14 Years**

4,947,146 8/1990 Ichimura et al. 335/131
4,992,765 2/1991 Hirota et al. 335/131
5,150,092 9/1992 Kolb 335/132

Primary Examiner—Joel Sincavage
Attorney, Agent, or Firm—Beveridge, DeGrandi, Weilacher & Young

[21] Appl. No.: **27,522**
[22] Filed: **Aug. 23, 1994**

[57] **CLAIM**

The ornamental design for a magnetic contactor, as shown and described.

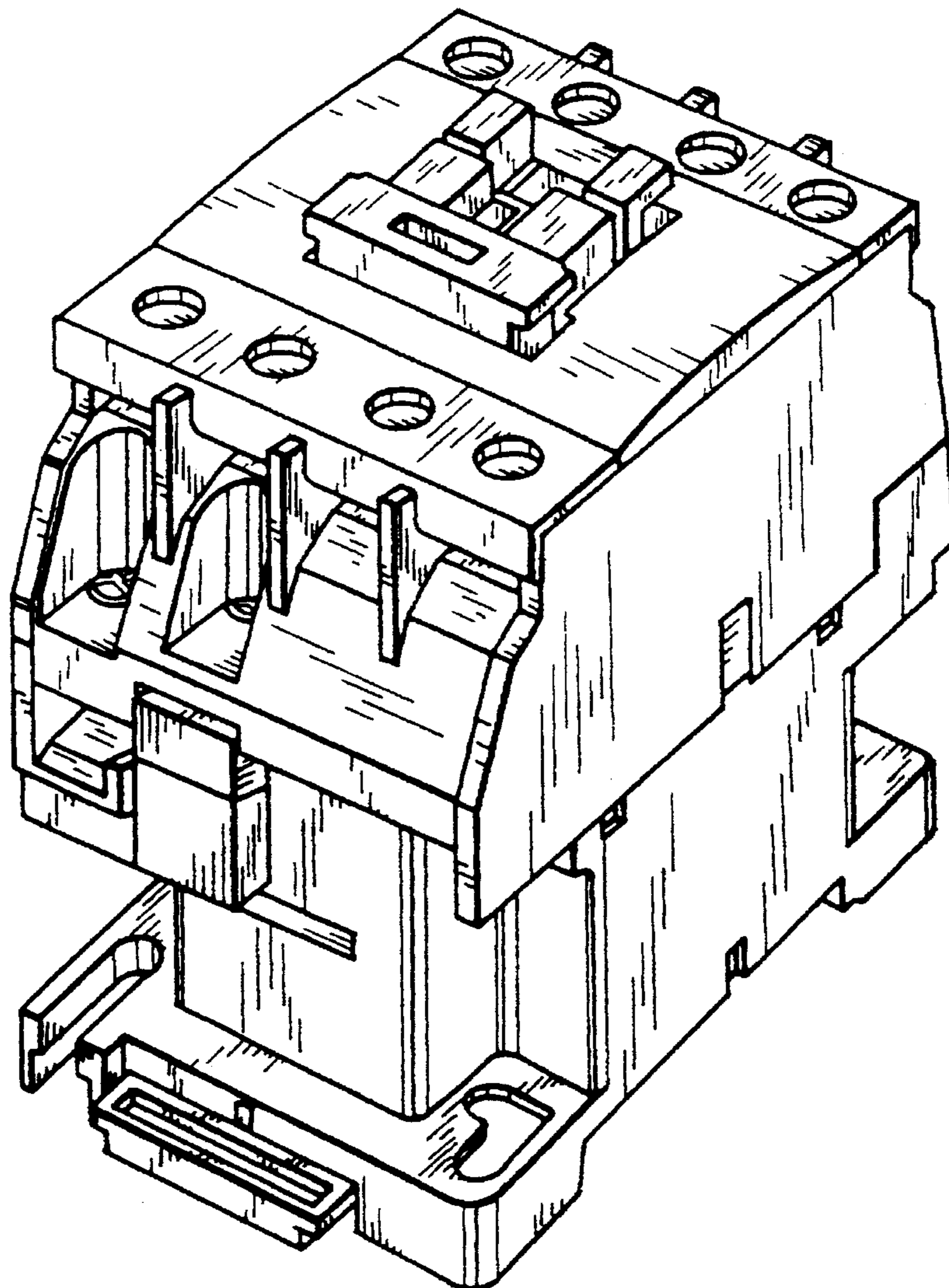
[30] **Foreign Application Priority Data**
Feb. 23, 1994 [KR] Rep. of Korea 3411/1994
[52] **U.S. Cl.** **D13/159**
[58] **Field of Search** D13/158, 159;
335/131, 132, 202

DESCRIPTION

FIG. 1 is a perspective view of a magnetic contactor showing my new design;
FIG. 2 is a front elevational view thereof;
FIG. 3 is a rear elevational view thereof;
FIG. 4 is a left-side elevational view thereof;
FIG. 5 is a right-side elevational view thereof;
FIG. 6 is a top plan view thereof; and,
FIG. 7 is a bottom view thereof.

[56] **References Cited**
U.S. PATENT DOCUMENTS
4,899,120 2/1990 Ohtake et al. 335/132

1 Claim, 4 Drawing Sheets



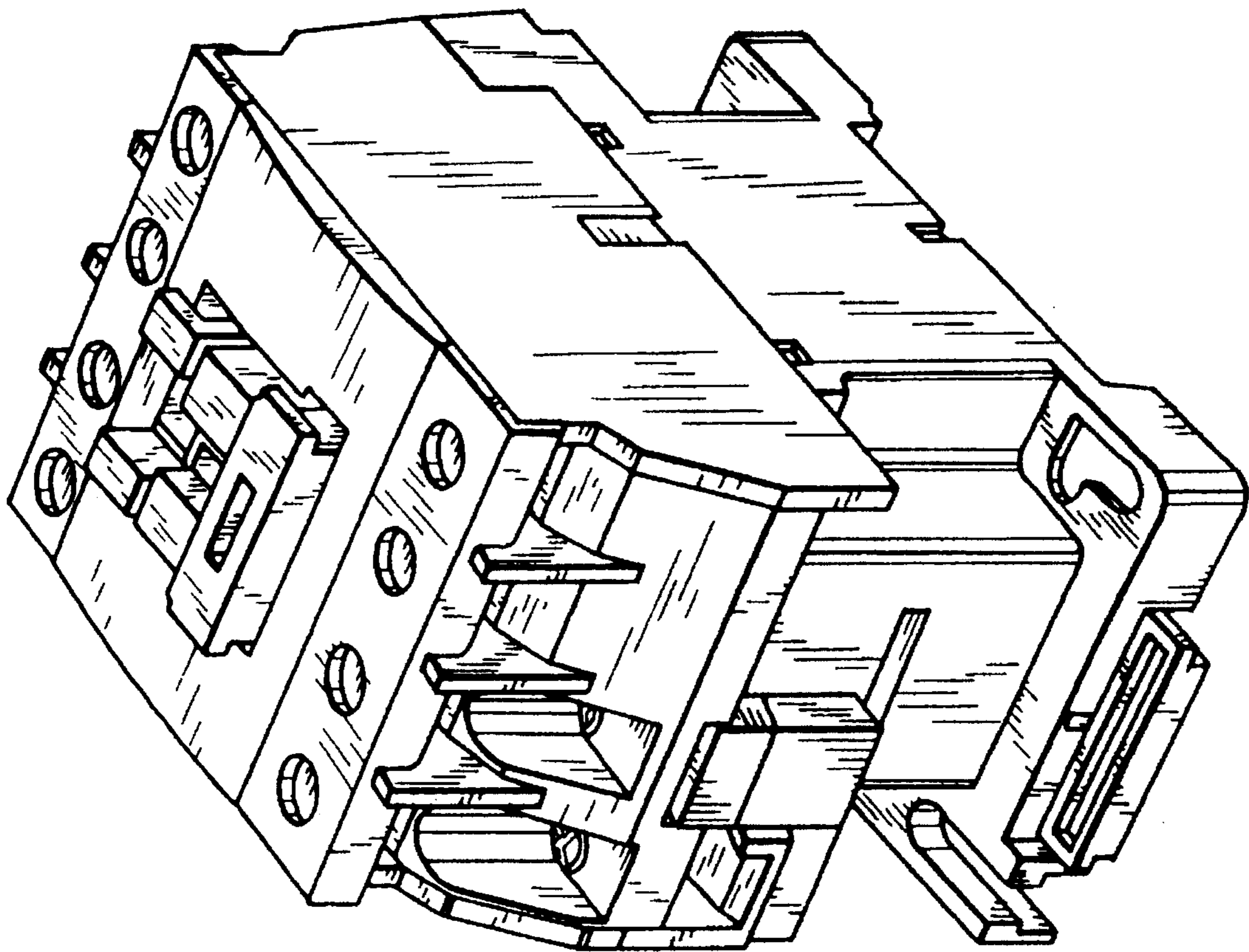


FIG. 1

FIG. 3

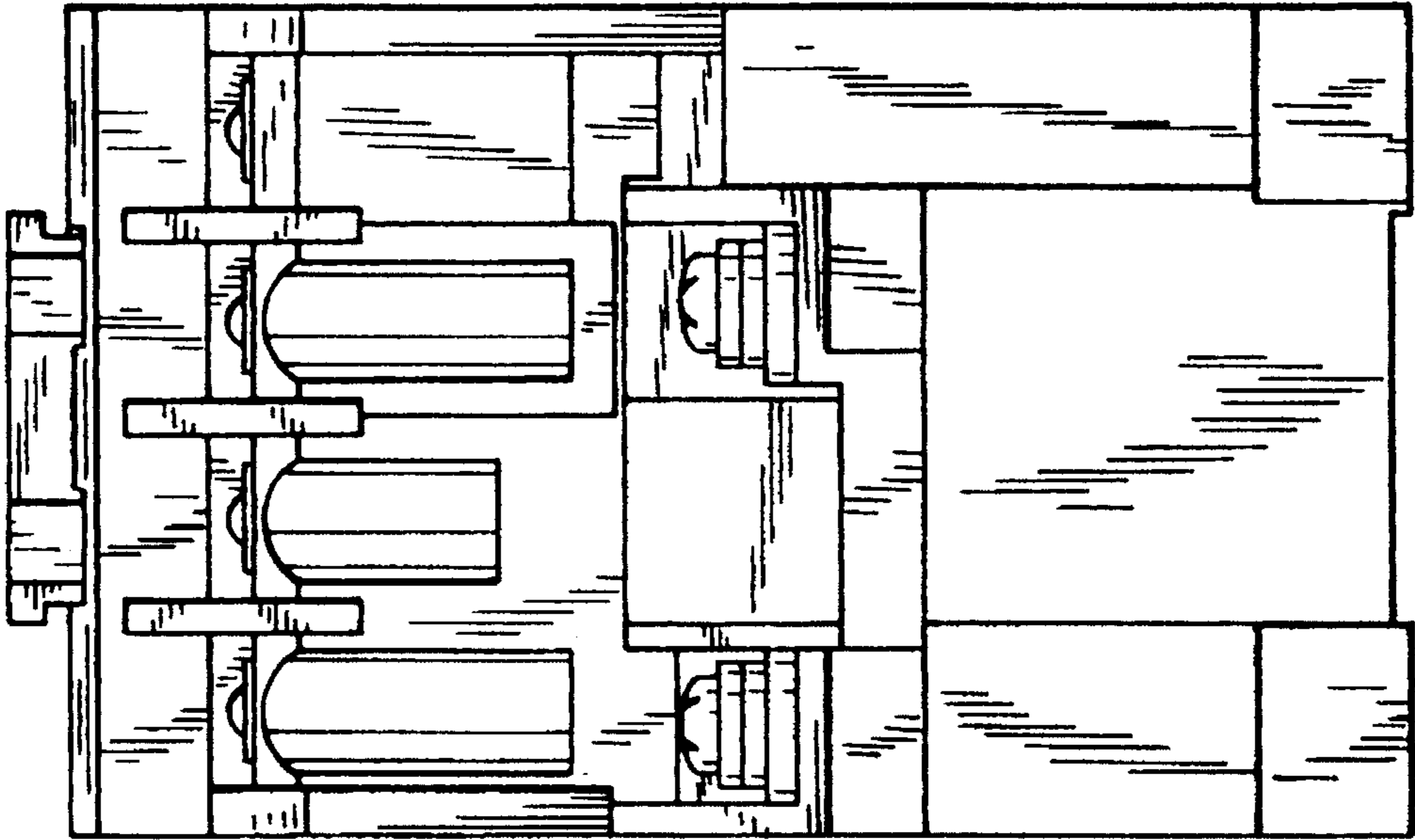


FIG. 2

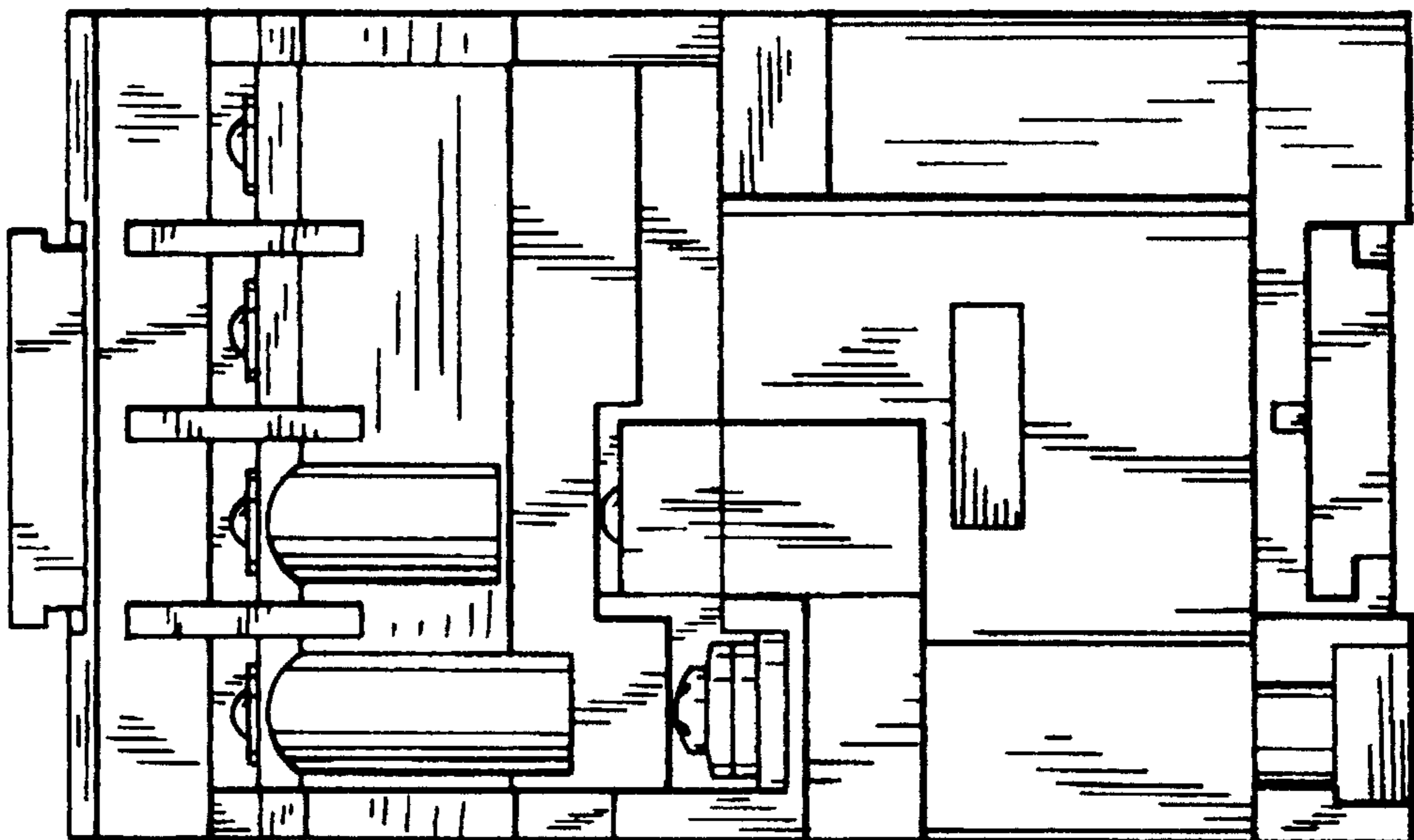


FIG.4

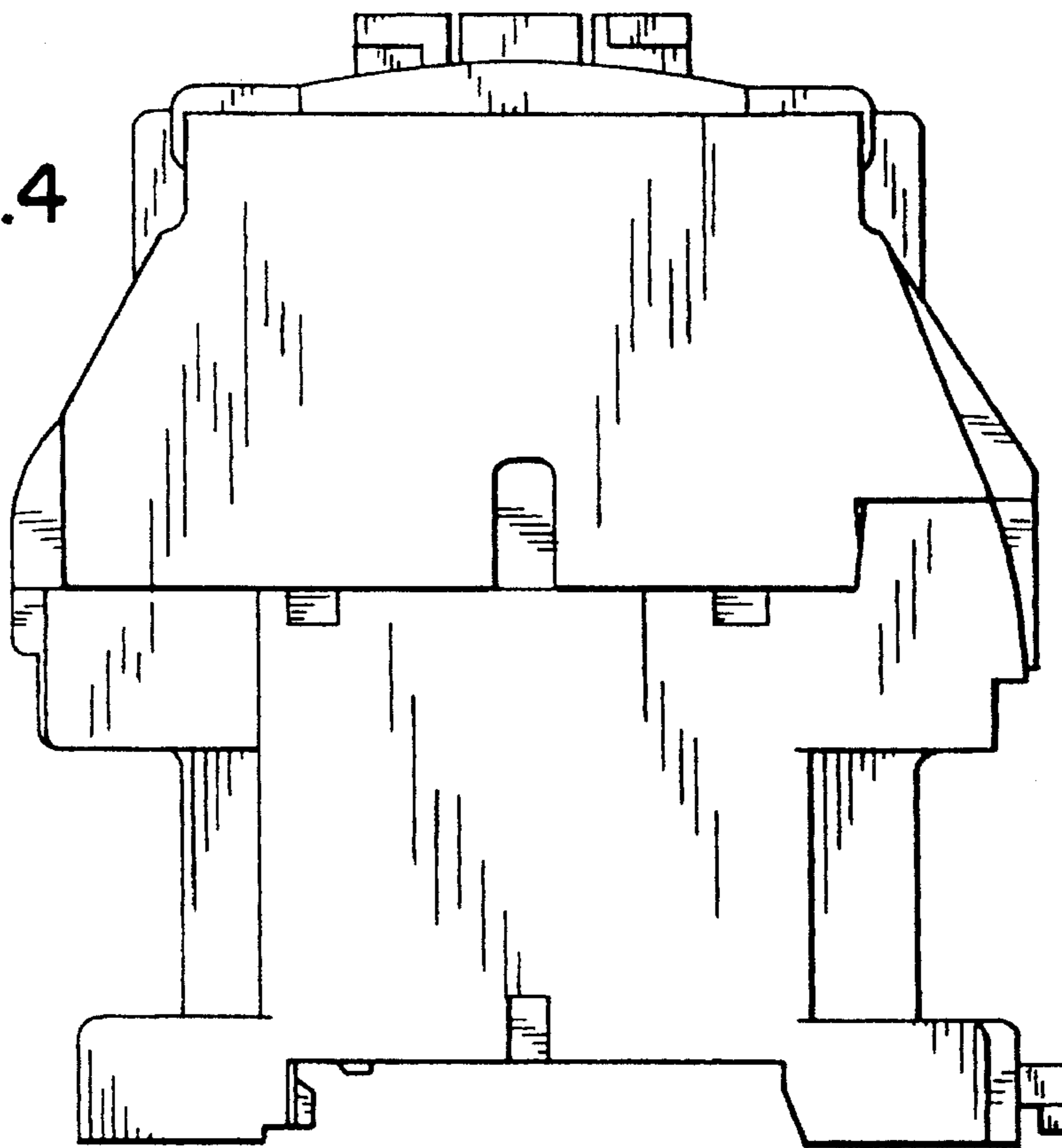


FIG.5

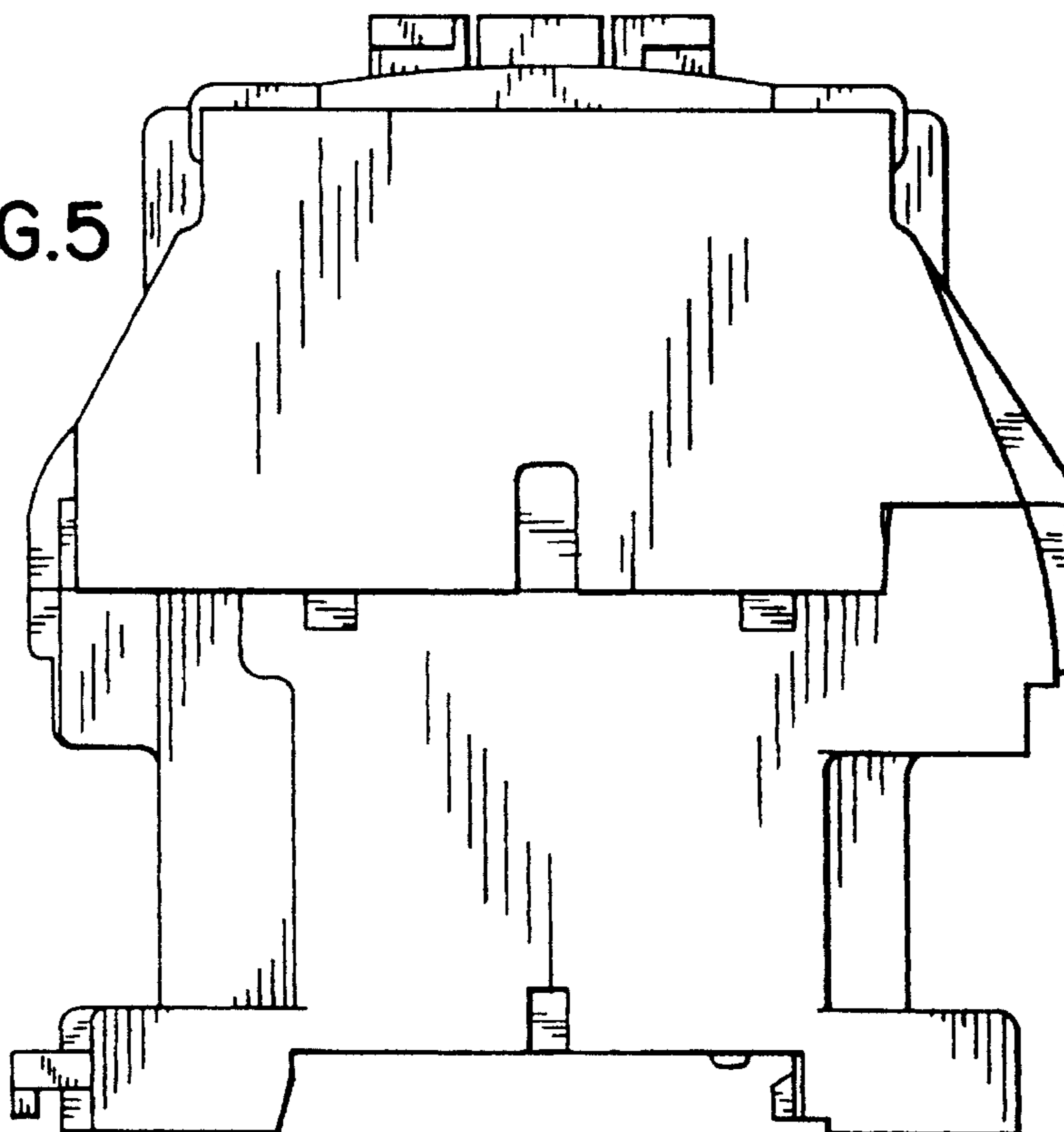


FIG.6

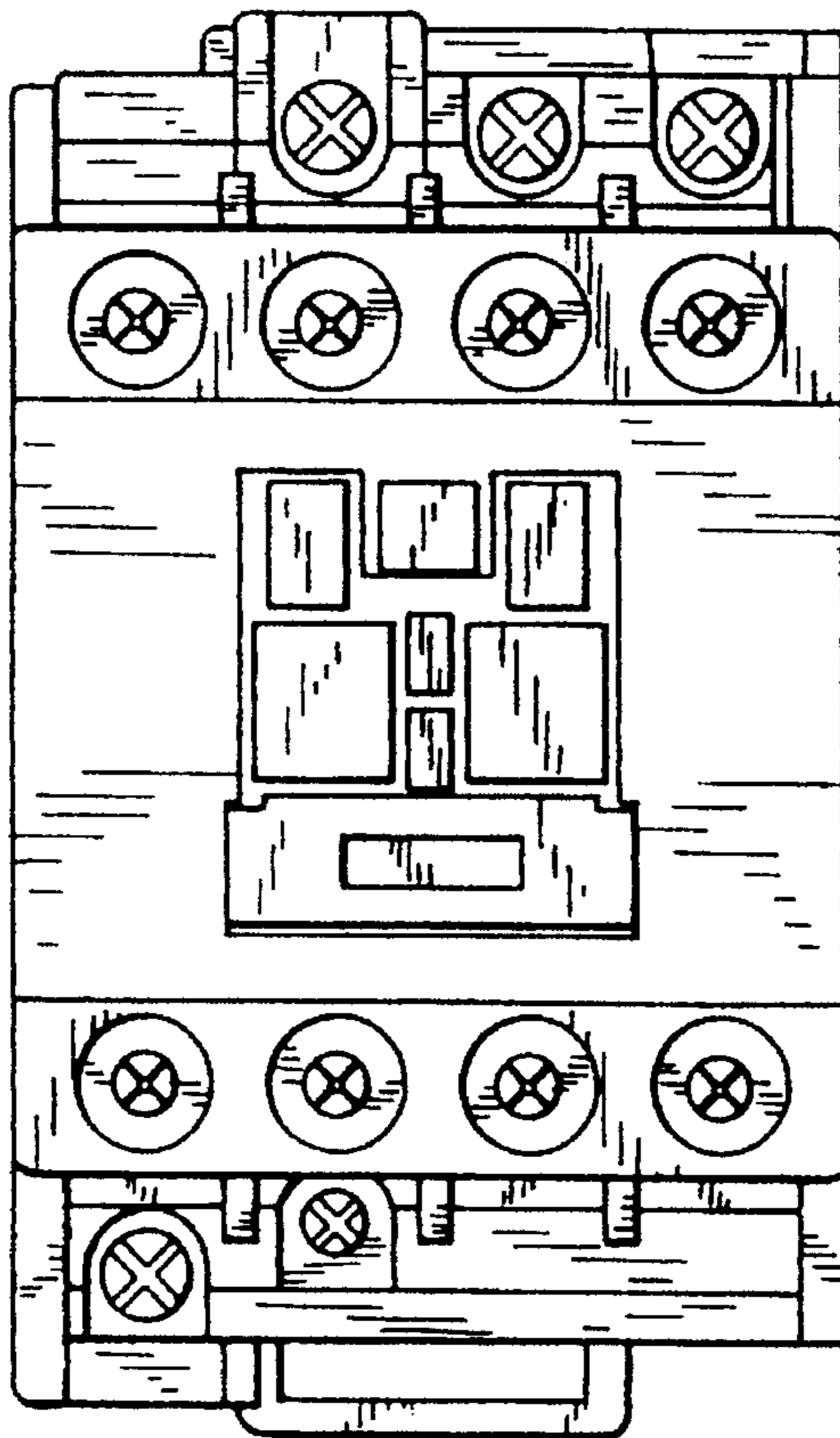


FIG.7

