



US00D373110S

United States Patent [19]
Fukao et al.

[11] **Patent Number: Des. 373,110**
[45] **Date of Patent: **Aug. 27, 1996**

[54] **ELECTRICAL CHARGING PLUG**

OTHER PUBLICATIONS

[75] Inventors: **Yasuyoshi Fukao; Toshiyuki Sekimori; Hiromichi Kuno**, all of Toyota; **Nobuaki Yoshioka**, Shizuoka-ken; **Toshiaki Hasegawa**, Shizuoka-ken; **Shigemitsu Inaba**, Shizuoka-ken, all of Japan

“European Battery Motive Products”, Anderson Power Products Catalog, pp. 8,9 (admitted prior art).

“GT Series: GT/GTC Connectors”, JAE Catalog, pp. 12, 13 (with partial English translation), Jul., 1979.

“Connectors Guide”, JAE Catalog, pp. 14,15 (with partial English translation), Jan., 1991.

[73] Assignees: **Yazaki Sogyo K.K.; Toyota Jidosha K.K.**, both of Japan

Primary Examiner—Joel Sincavage

Attorney, Agent, or Firm—Saidman DesignLaw Group

[**] Term: **14 Years**

[57] **CLAIM**

[21] Appl. No.: **41,577**

The ornamental design for an electrical charging plug, as shown and described.

[22] Filed: **Jul. 18, 1995**

Related U.S. Application Data

DESCRIPTION

[62] Division of Ser. No. 20,177, Mar. 18, 1994, Pat. No. Des. 361,749.

FIG. 1 is a perspective view of an electrical charging plug showing our new design;

[30] **Foreign Application Priority Data**

FIG. 2 is a top plan view thereof;

Sep. 20, 1993 [JP] Japan 5-28066

FIG. 3 is a front elevational view thereof;

[52] **U.S. Cl.** **D13/146**

FIG. 4 is a rear elevational view thereof;

[58] **Field of Search** D13/146; 320/2; 439/34, 266, 310, 352, 372

FIG. 5 is a bottom plan view thereof;

FIG. 6 is a right end elevational view thereof; and,

FIG. 7 is a left end elevational view thereof.

[56] **References Cited**

U.S. PATENT DOCUMENTS

5,350,312 9/1994 Kuno et al. .

1 Claim, 5 Drawing Sheets

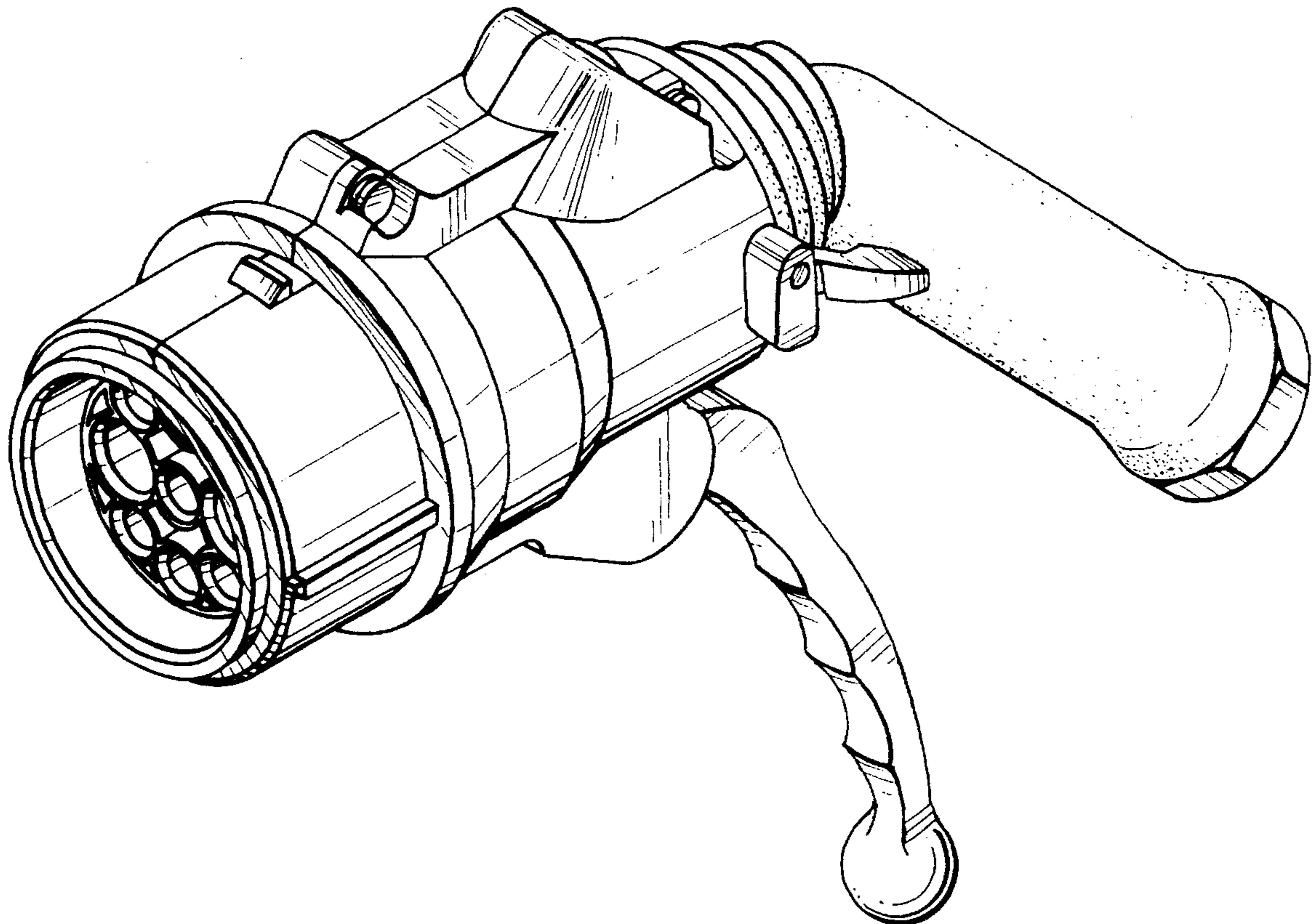


FIG. 1

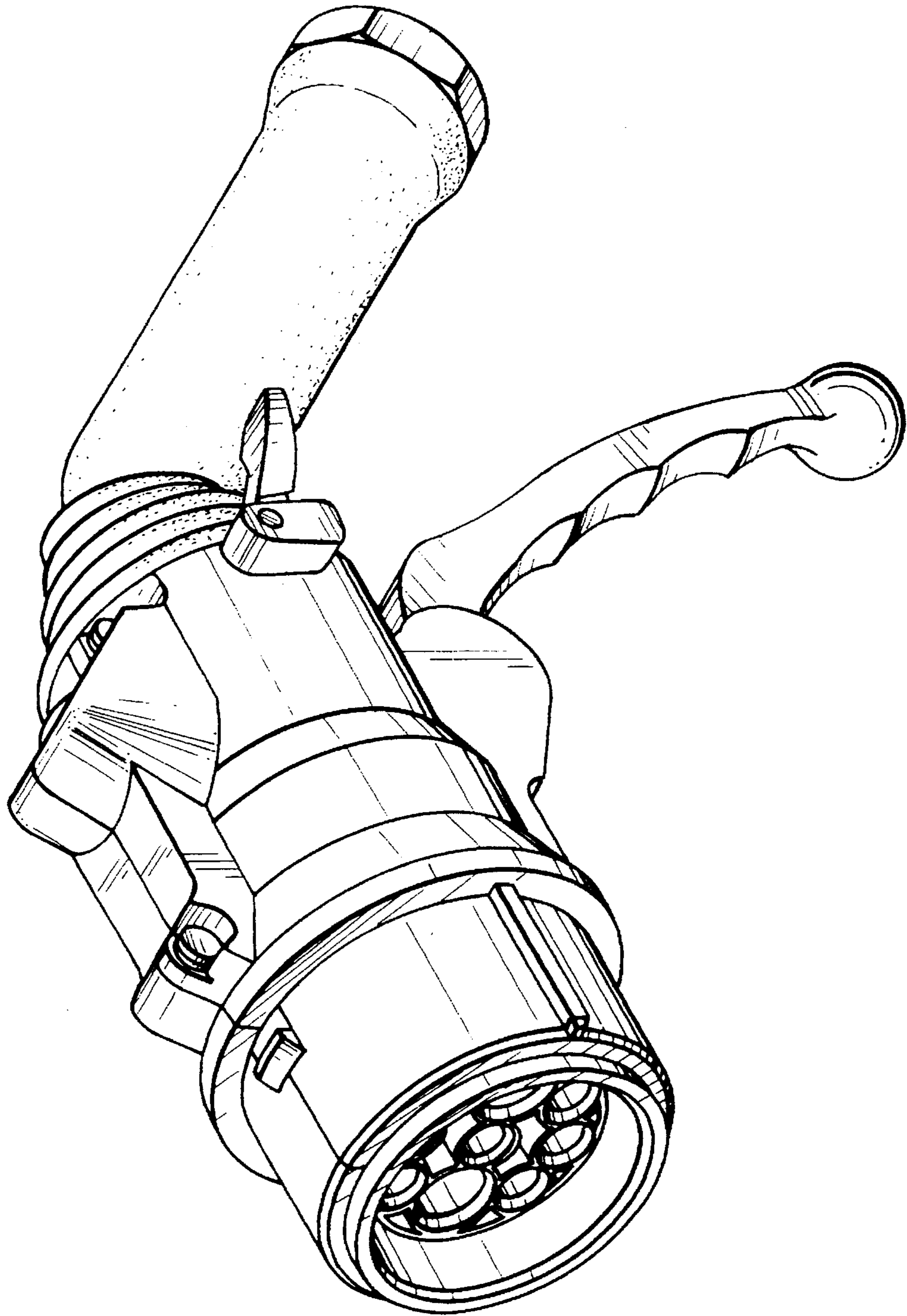


FIG. 2

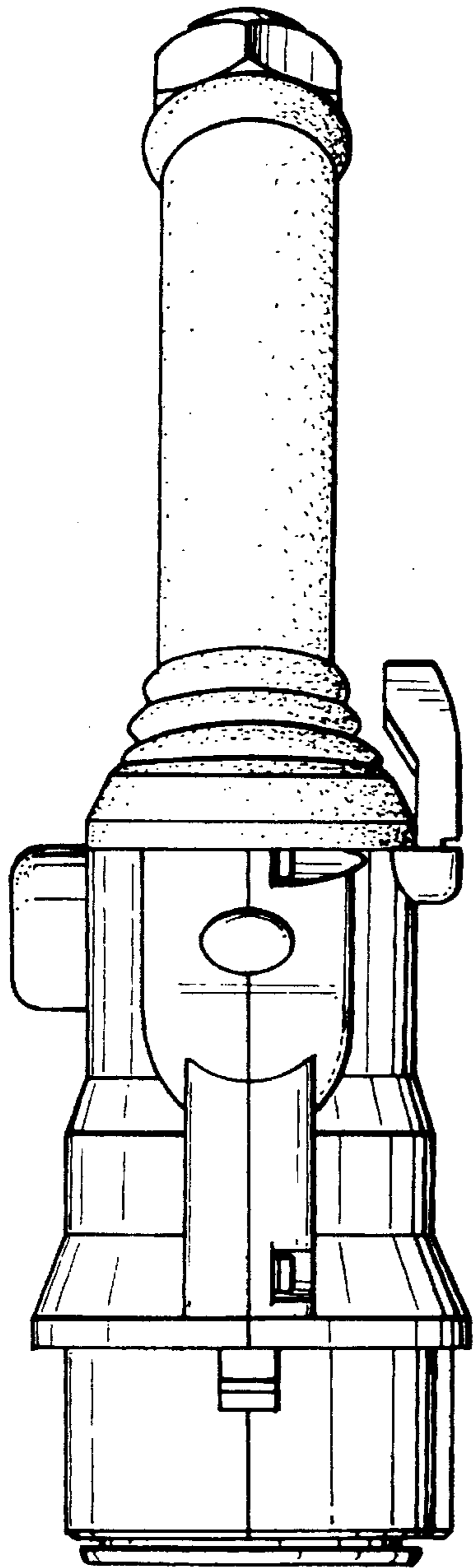


FIG. 5

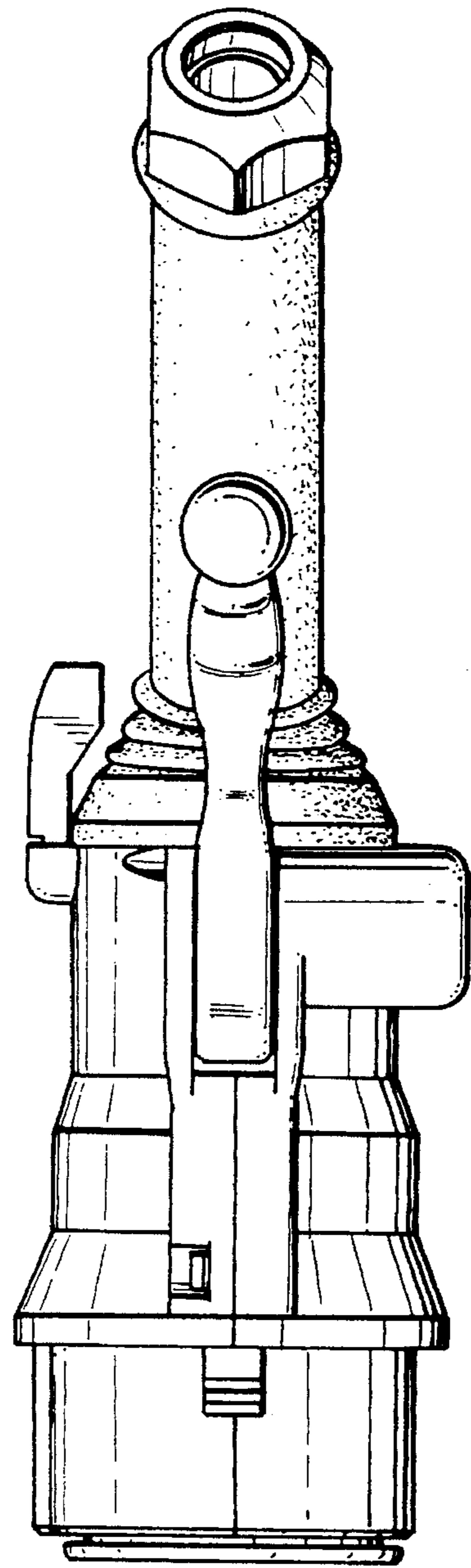


FIG. 3

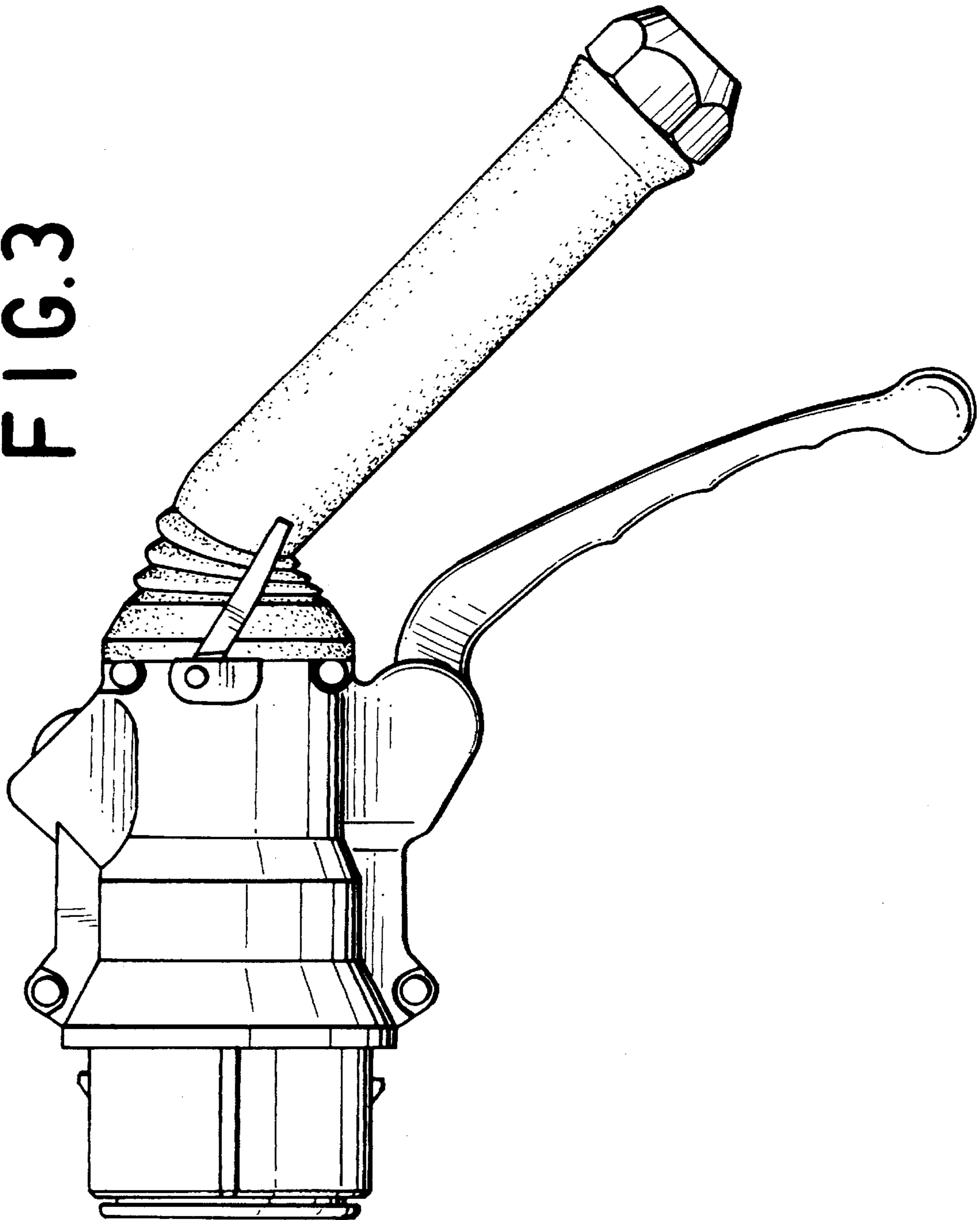


FIG. 4

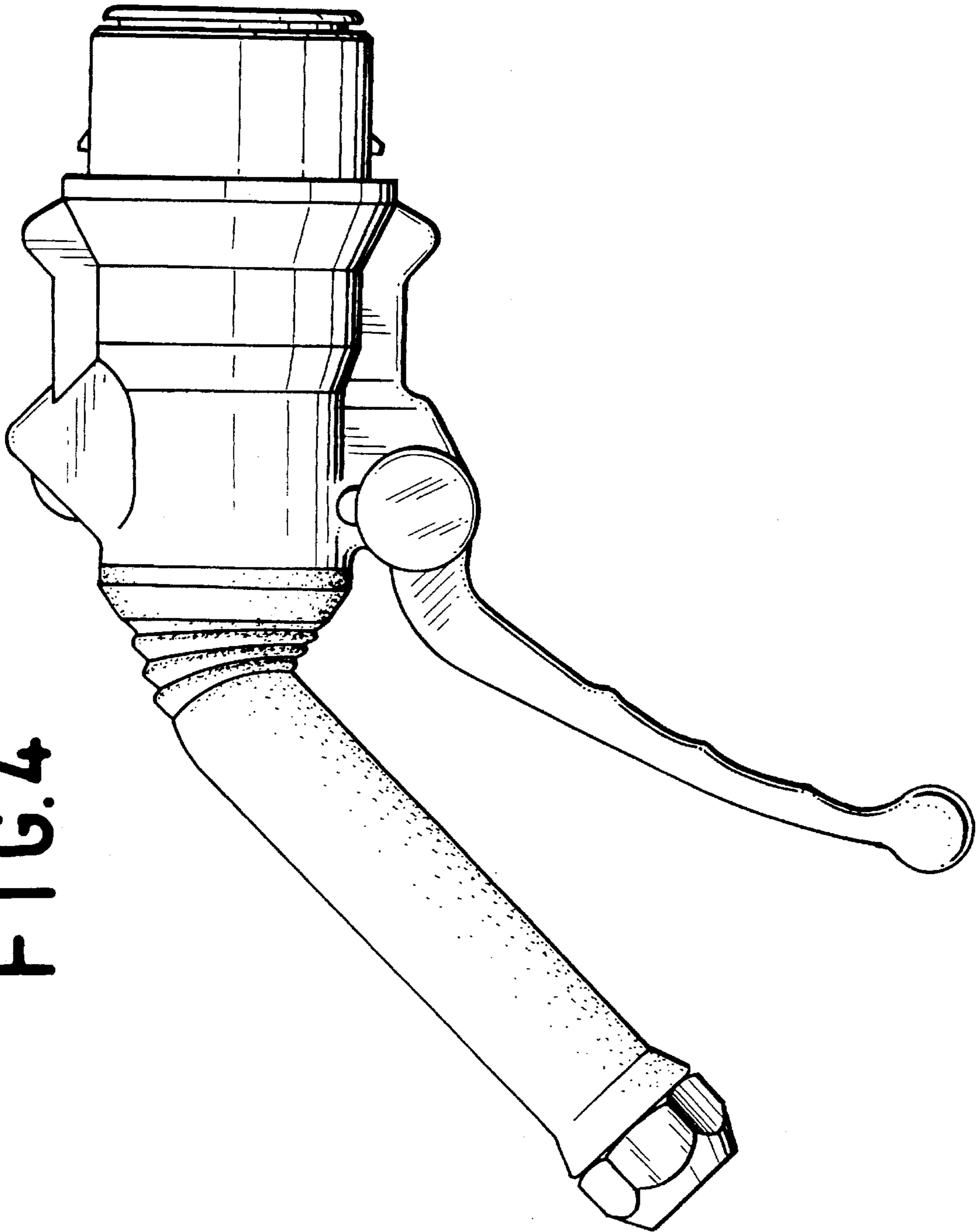


FIG. 7

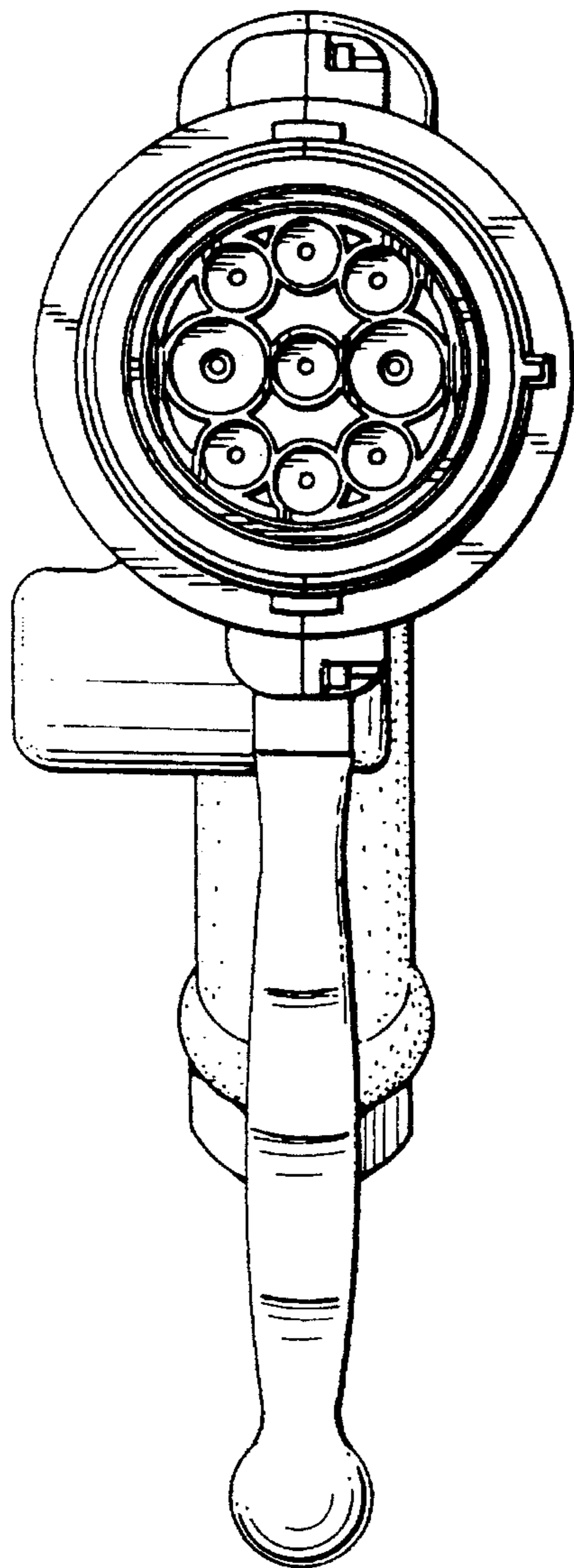


FIG. 6

