



US00D373109S

United States Patent [19]

[11] Patent Number: Des. 373,109

Brown

[45] Date of Patent: **Aug. 27, 1996

[54] **COMPUTERIZED MUSIC RECORDING AND PLAYBACK SYSTEM**

[76] Inventor: **Charles W. Brown**, 20 Naomi Ct., Sumter, S.C. 29154

[**] Term: **14 Years**

[21] Appl. No.: **21,863**

[22] Filed: **Apr. 25, 1994**

[52] U.S. Cl. **D14/167**; D14/168; D14/299

[58] Field of Search D14/100, 113, D14/115, 299, 160-168; D17/2, 7; 84/600-602, 610, 622

| | | | | |
|------------|---------|--------------|-------|---------|
| D. 360,206 | 7/1995 | Williams | | D14/167 |
| D. 360,883 | 8/1995 | Ito et al. | | D14/164 |
| D. 362,002 | 9/1995 | Ito et al. | | D14/167 |
| 3,695,138 | 10/1972 | Andersen | | D17/2 |
| 4,922,796 | 5/1990 | Kondo et al. | | 84/618 |
| 4,998,960 | 3/1991 | Rose et al. | | 84/622 |
| 5,027,689 | 7/1991 | Fujimori | | 84/622 |

Primary Examiner—Sandra L. Morris
Attorney, Agent, or Firm—Terry M. Gernstein

[57] **CLAIM**

The ornamental design for a computerized music recording and playback system, as shown and described.

DESCRIPTION

FIG. 1 is a front, top and side perspective view of the computerized music recording and playback system showing my new design;

FIG. 2 is a front elevational view thereof;

FIG. 3 is a rear elevational view thereof;

FIG. 4 is a side elevational view thereof;

FIG. 5 is a side elevational view thereof;

FIG. 6 is a top plan view thereof; and,

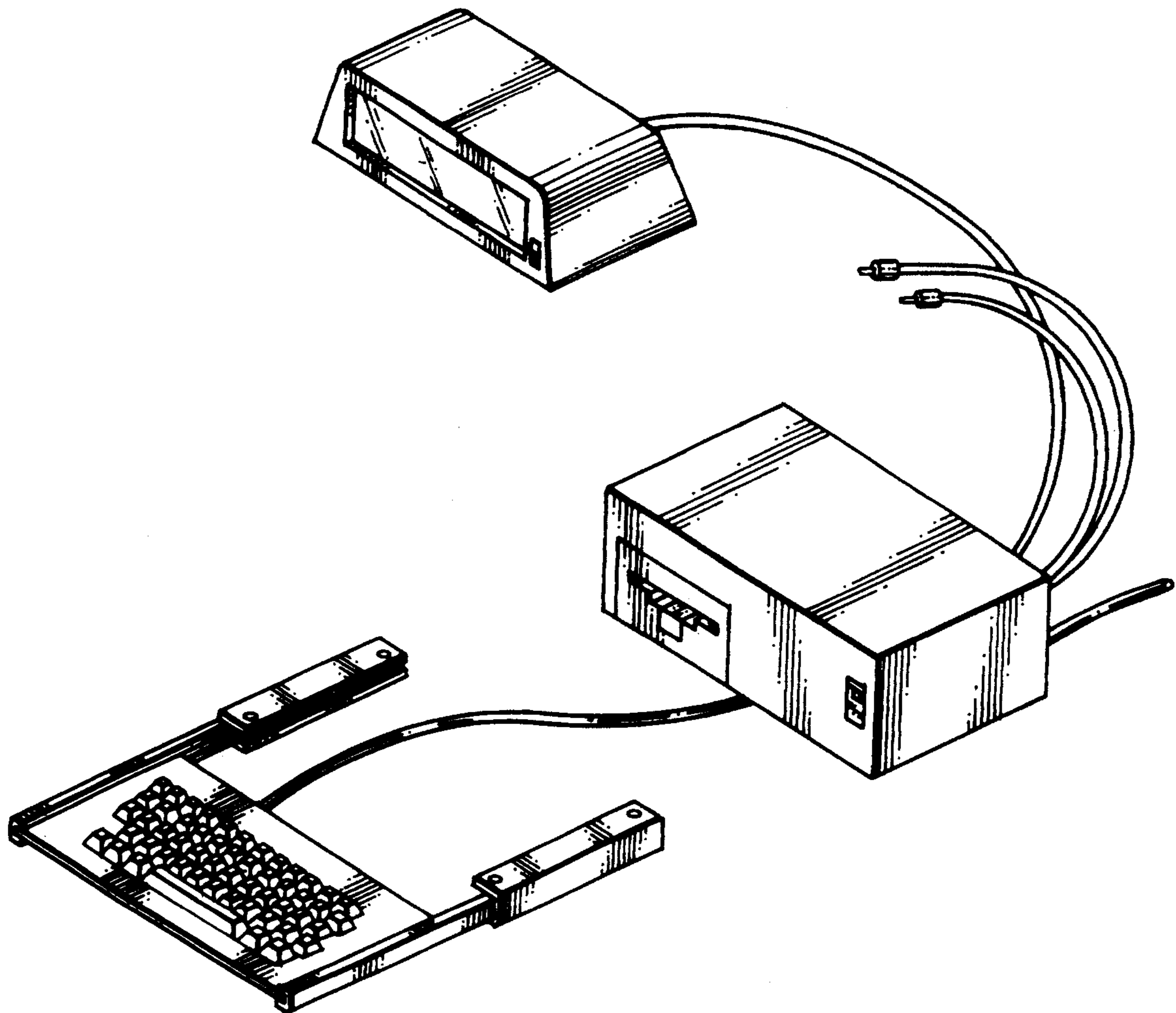
FIG. 7 is a bottom plan view thereof.

[56] **References Cited**

U.S. PATENT DOCUMENTS

| | | | | |
|------------|---------|-------------------|-------|---------|
| D. 273,109 | 3/1984 | Breger | | D14/113 |
| D. 297,140 | 1/1985 | Milliman | | D14/100 |
| D. 321,876 | 11/1991 | Ito et al. | | D14/167 |
| D. 341,583 | 11/1993 | Bevilacqua et al. | | D14/115 |
| D. 345,563 | 3/1994 | Ito et al. | | D14/167 |
| D. 348,446 | 7/1994 | Ito et al. | | D14/164 |
| D. 349,730 | 8/1994 | Fung | | D21/13 |
| D. 358,808 | 5/1995 | Murdoch et al. | | D14/100 |

1 Claim, 4 Drawing Sheets



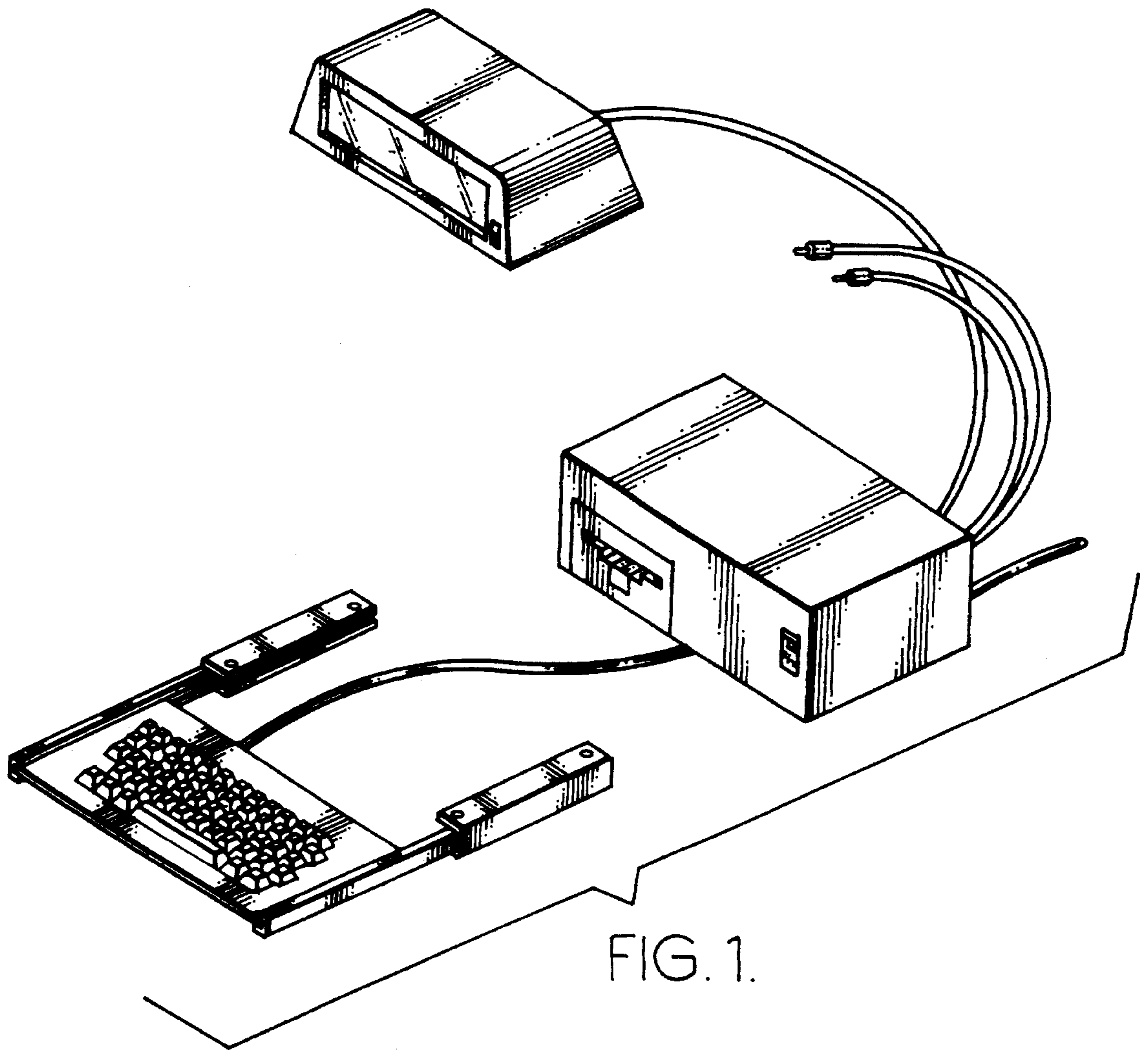


FIG. 2.

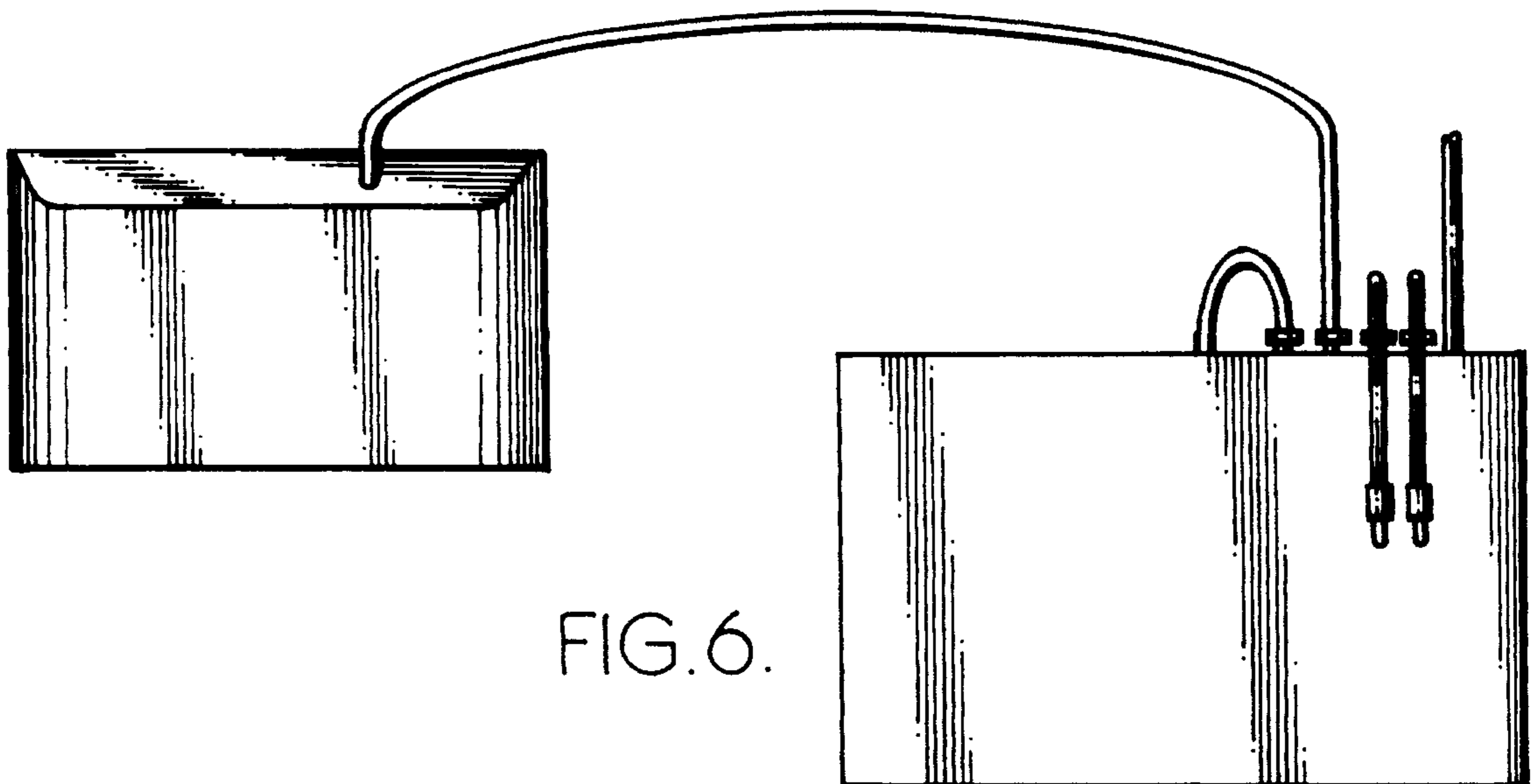
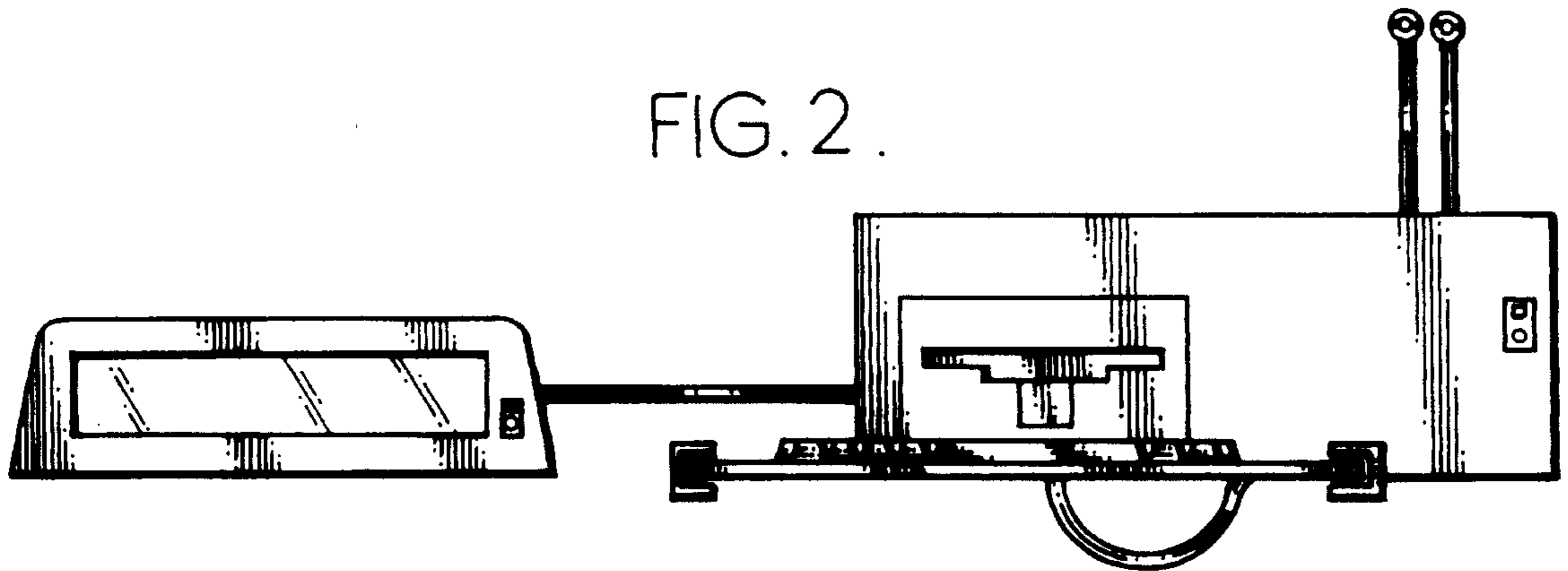


FIG. 6.

