



US00D373098S

# United States Patent [19]

[11] Patent Number: **Des. 373,098**

Lee et al.

[45] Date of Patent: **\*\*Aug. 27, 1996**

[54] **BRA CLIP**

[76] Inventors: **Shirley Lee; Richard E. Lee**, both of  
3065 Farrell Dr., Palm Springs, Calif.  
92262

[\*\*] Term: **14 Years**

[21] Appl. No.: **18,562**

[22] Filed: **Feb. 9, 1994**

[52] U.S. Cl. .... **D11/215**

[58] Field of Search ..... D11/200-204,  
D11/215-220, 1, 2; 24/455; 2/267, 268,  
114, 323, 105, 328

[56] **References Cited**

**U.S. PATENT DOCUMENTS**

22,338	4/1893	Hurd	.....	D11/204
51,305	9/1917	Kane	.....	D11/1
D. 141,949	8/1945	Pivceвич	.....	D11/215
1,444,030	2/1923	Leather	.....	24/543
1,498,486	6/1924	Schneider	.....	24/543
1,510,944	10/1924	Lasser	.....	24/543
1,589,228	6/1926	Robb	.....	24/532
1,591,263	7/1926	Aymer	.....	24/543
2,559,293	7/1951	Gadomski	.....	24/543

3,981,050	9/1976	Dauphinais	.
3,988,809	11/1976	Powell et al.	.
4,040,147	8/1977	King	.
4,280,254	7/1981	Racke	..... 24/182
4,764,988	8/1988	Reaver	.
4,953,233	9/1990	Moshier	.

*Primary Examiner*—Ralf T. Seifert

[57] **CLAIM**

The ornamental design for the bra clip, as shown and described.

**DESCRIPTION**

FIG. 1 is a front elevational view of the bra clip showing my new design;  
 FIG. 2 is a rear elevational view thereof;  
 FIG. 3 is a left side elevational view thereof;  
 FIG. 4 is a right side elevational view thereof;  
 FIG. 5 is a top plan view thereof;  
 FIG. 6 is a bottom plan view thereof; and,  
 FIG. 7 is a top plan view showing a use thereof.  
 The broken line showing of a garment in FIG. 7 is for illustrative purposes only and forms no part of the claimed design.

**1 Claim, 4 Drawing Sheets**

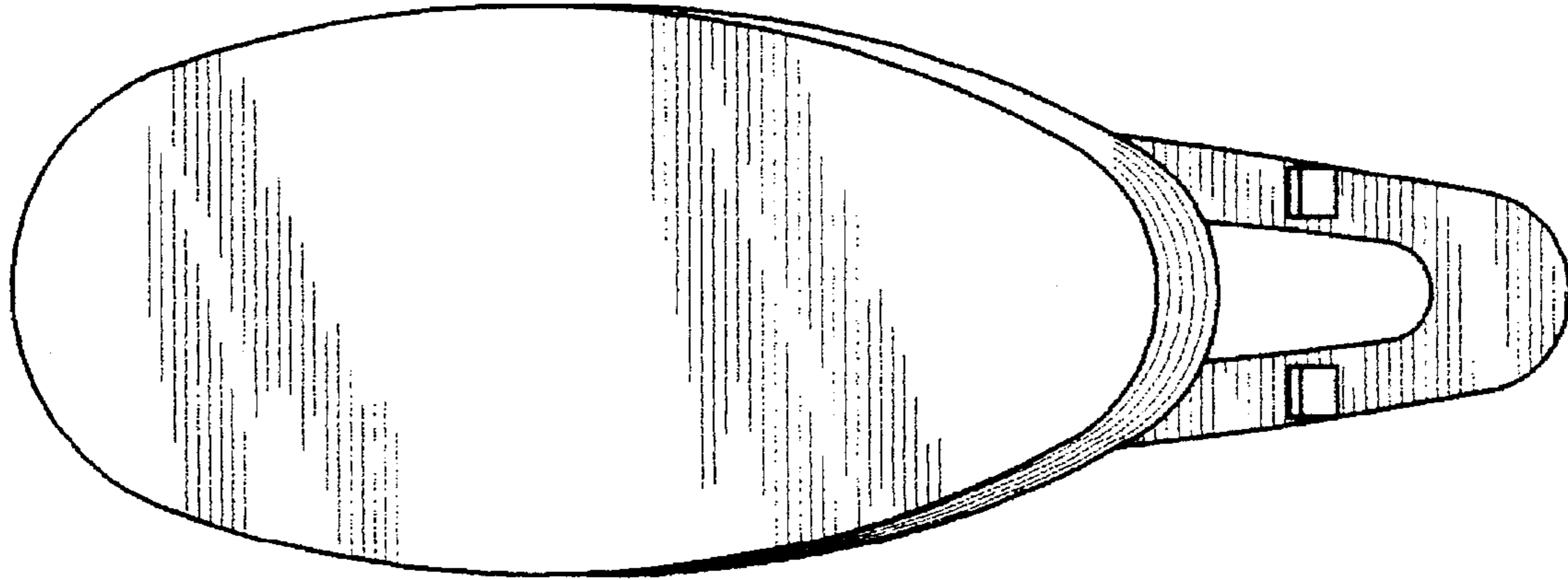


FIG. 1

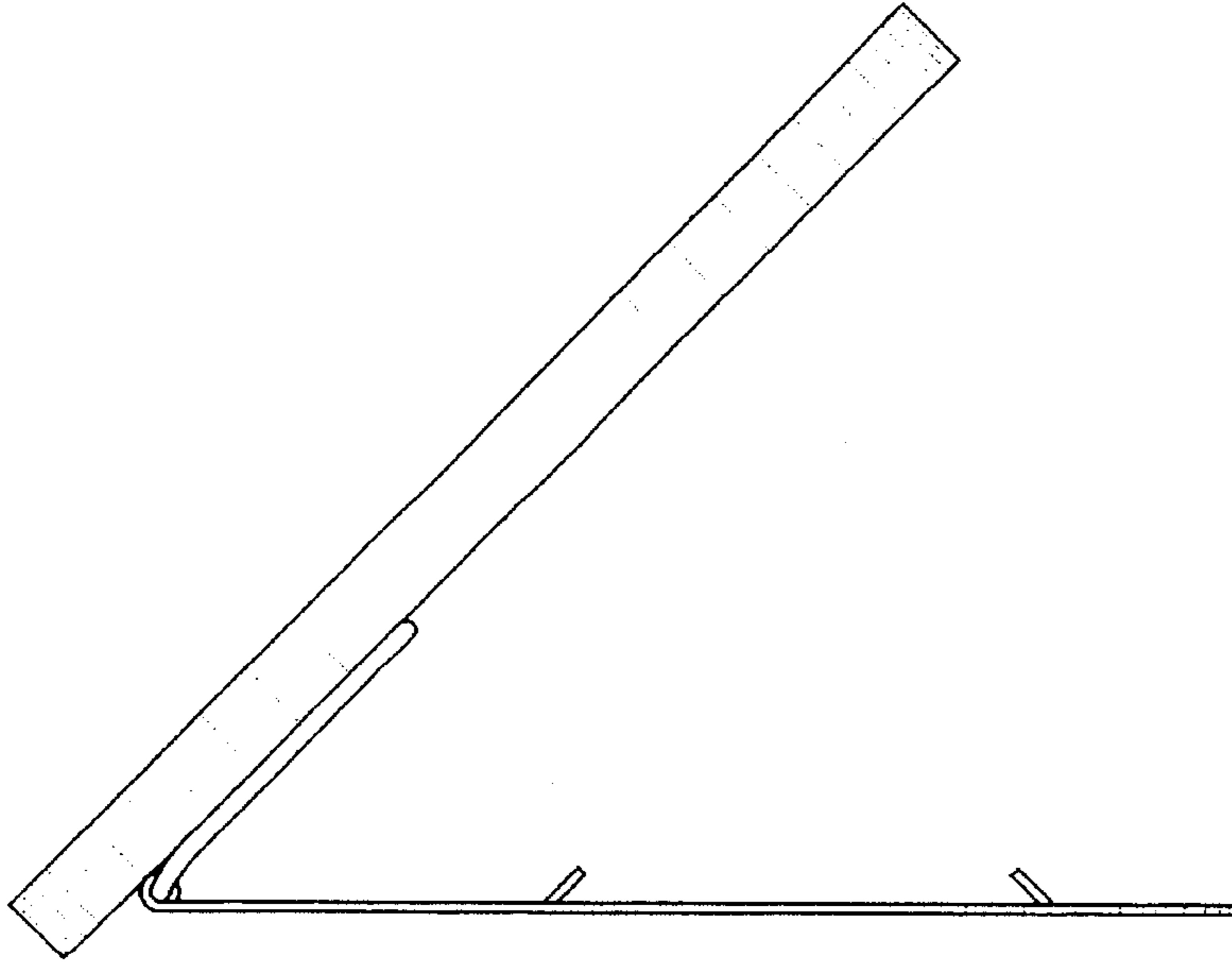


FIG. 2

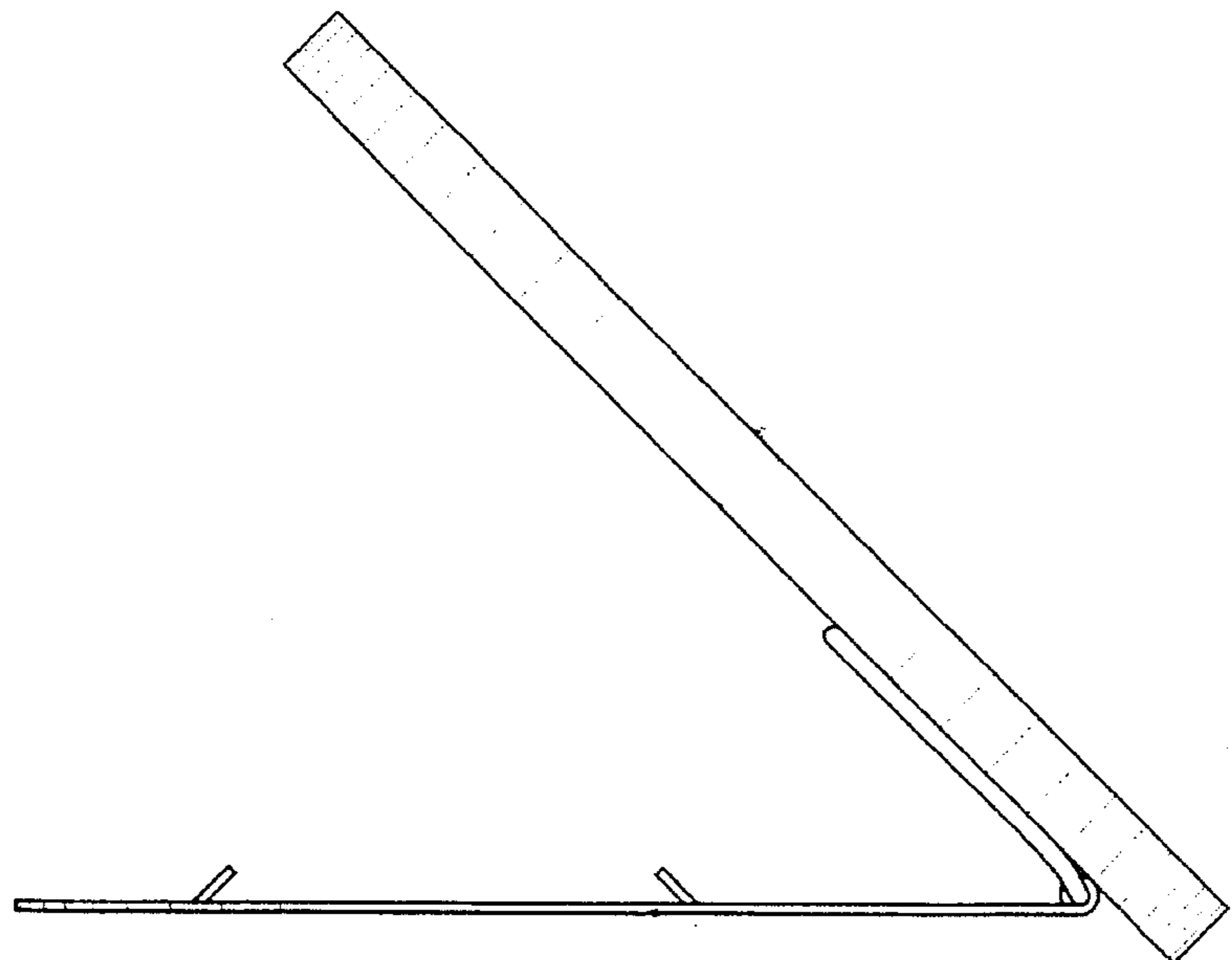


FIG. 3

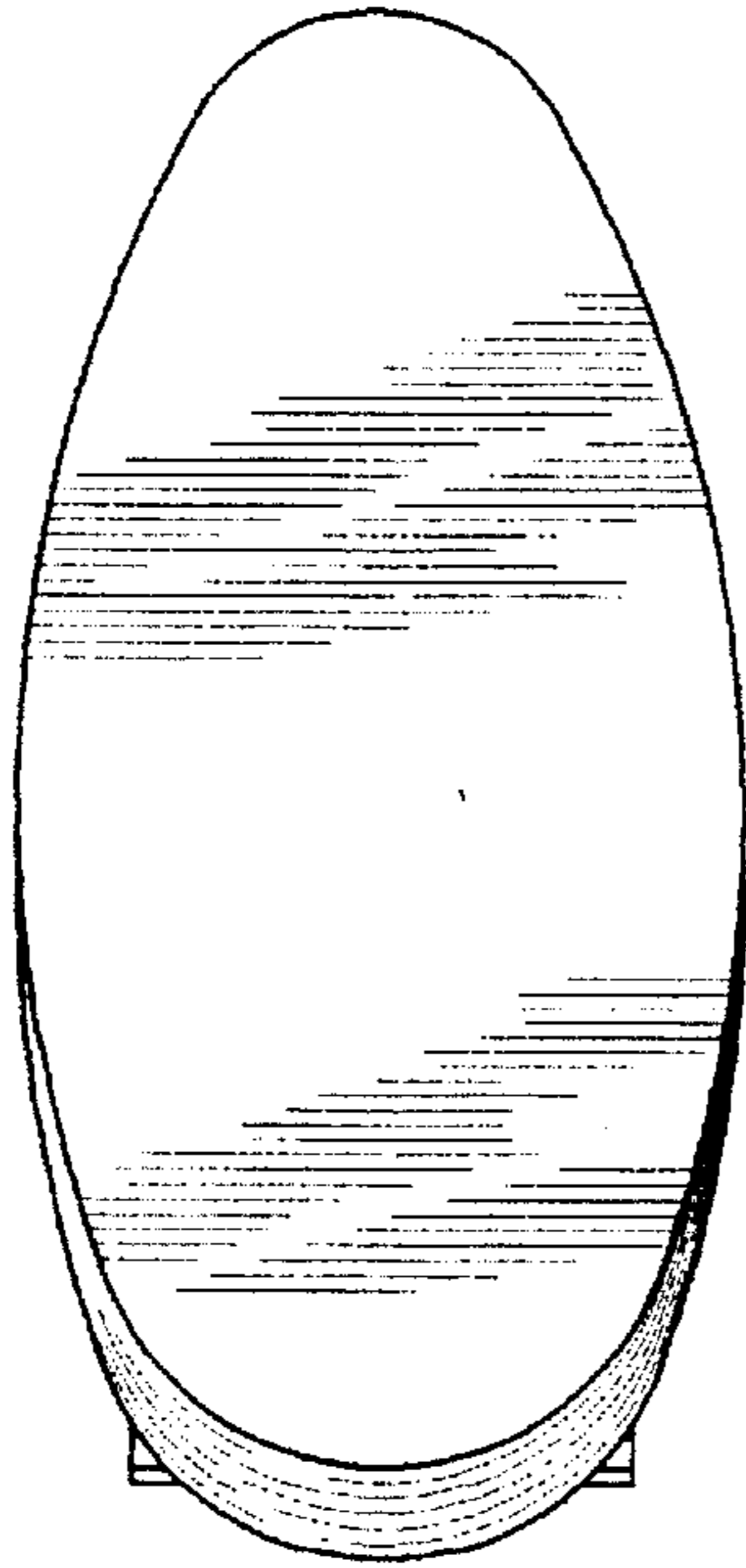


FIG. 4

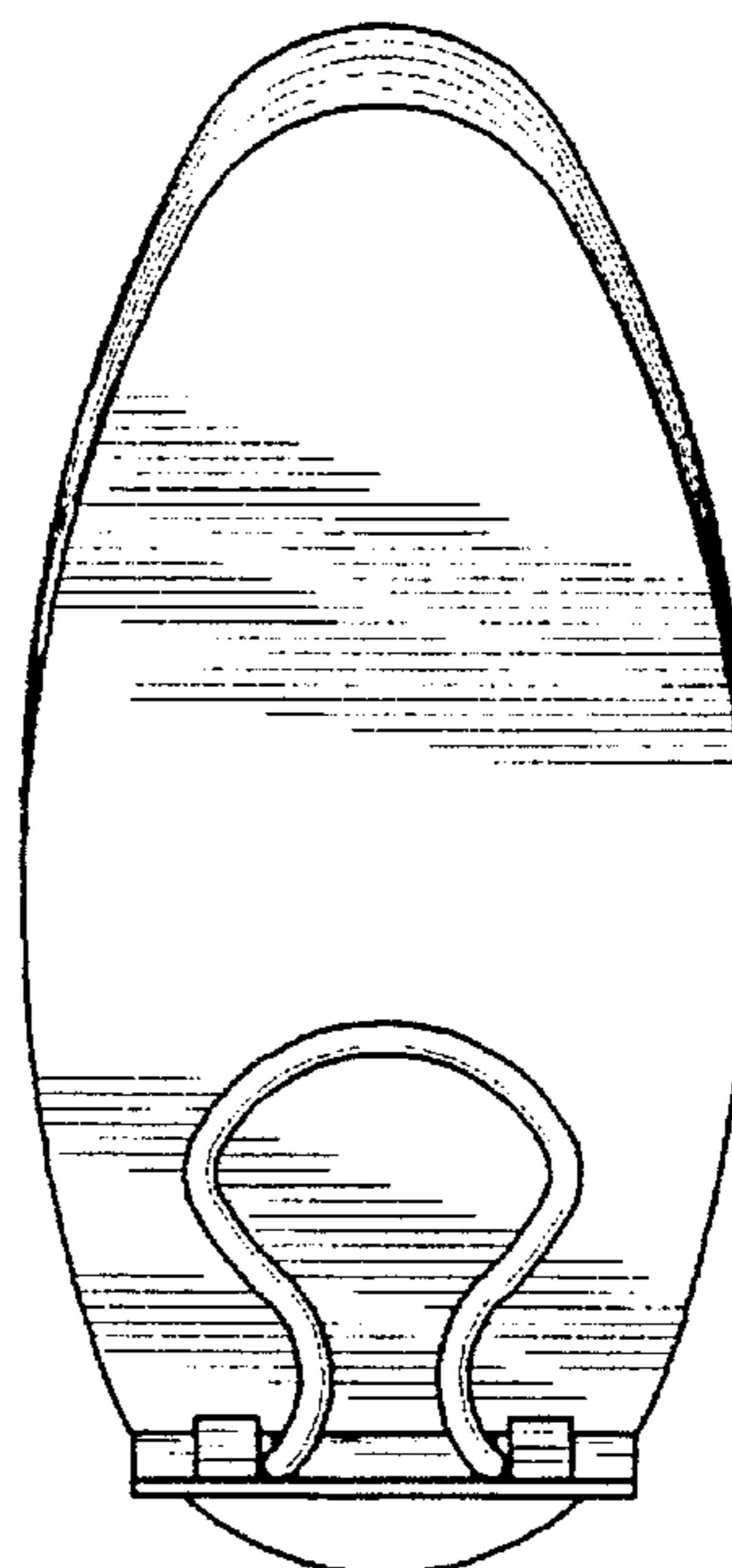


FIG. 5

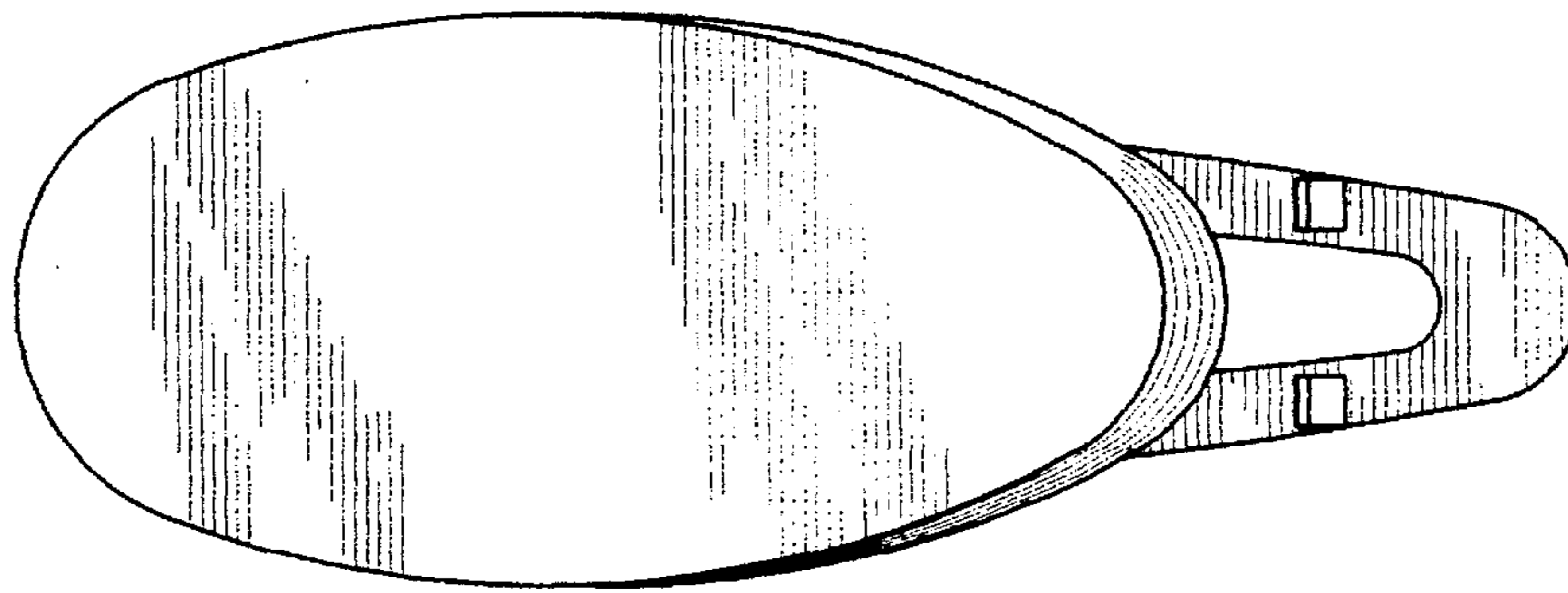


FIG. 6

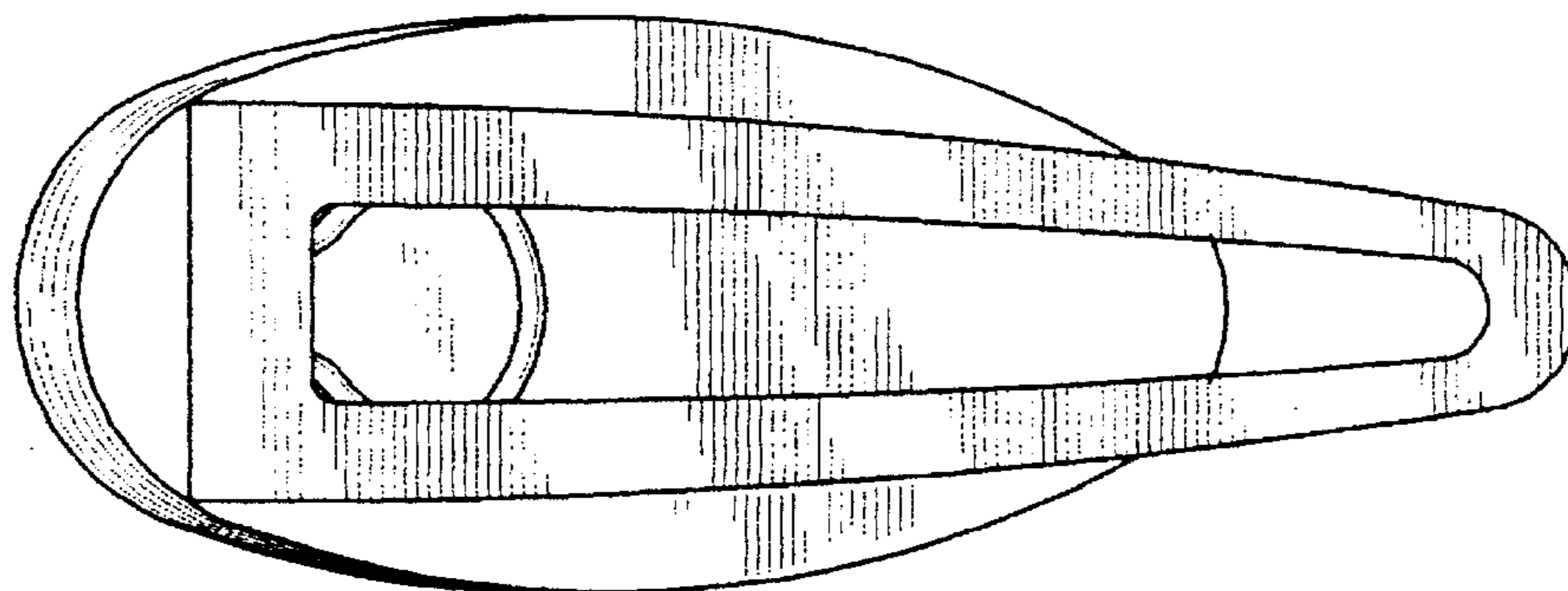


FIG. 7

