



US00D373094S

United States Patent [19]

[11] **Patent Number: Des. 373,094**

Marderosian

[45] **Date of Patent: **Aug. 27, 1996**

[54] **VEHICLE LOCATOR**

[76] Inventor: **Raffi L. Marderosian**, 854 Pondway Dr., Kettering, Ohio 45419

[**] Term: **14 Years**

[21] Appl. No.: **22,551**

[22] Filed: **May 6, 1994**

[52] U.S. Cl. **D10/109**

[58] **Field of Search** D10/104, 109, D10/110, 111, 121; 116/28 A, 28 R, 29, 28.1, 30; 340/425.5, 435, 436, 437, 438

[56] **References Cited**

U.S. PATENT DOCUMENTS

D. 239,926	5/1976	Baker	D10/109
D. 336,056	6/1993	Valdez	D10/110
1,784,466	12/1930	Rensonnet	D10/110

Primary Examiner—Marcus A. Jackson
Attorney, Agent, or Firm—Biebel & French

[57] **CLAIM**

The ornamental design for a vehicle locator, as shown and described.

DESCRIPTION

FIG. 1 is a perspective view of a vehicle locator showing my

new design, with the broken line showing for illustrative purposes only and forming no part of the claimed design;

FIG. 2 is a bottom plan view thereof;

FIG. 3 is a side elevation view thereof;

FIG. 4 is a front elevation view thereof;

FIG. 5 is a rear elevation view thereof;

FIG. 6 is a side elevational view thereof, with the broken line showing for illustrative purposes only and forming no part of the claimed design;

FIG. 7 is a side elevational view of a second embodiment thereof;

FIG. 8 is a perspective view of the alternative embodiment;

FIG. 9 is a front elevation view of the alternative embodiment;

FIG. 10 is a rear elevation view of the alternative embodiment;

FIG. 11 is a top plan view of the alternative embodiment; and,

FIG. 12 is a bottom plan view of the alternative embodiment.

1 Claim, 8 Drawing Sheets

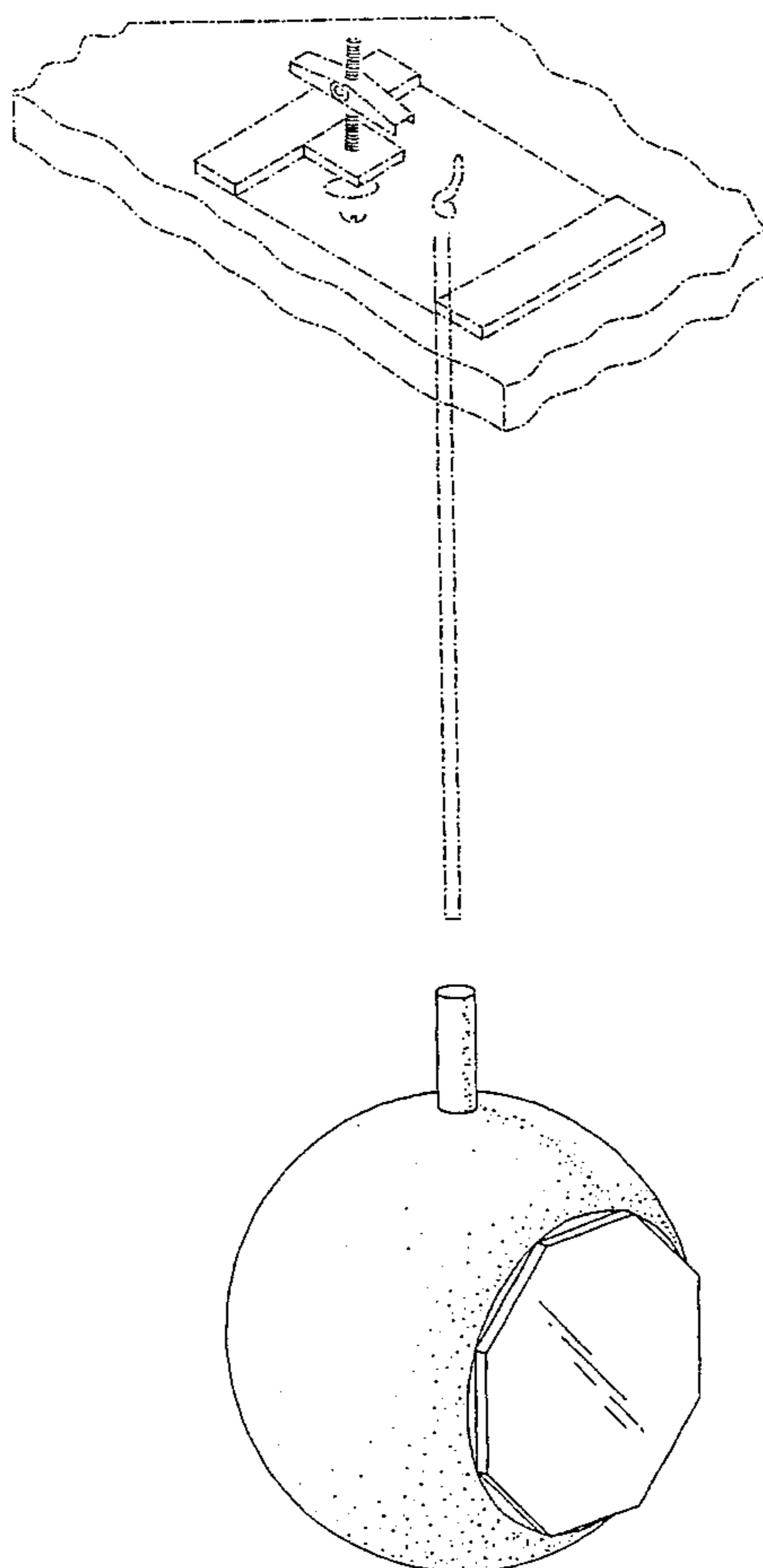


FIG-1

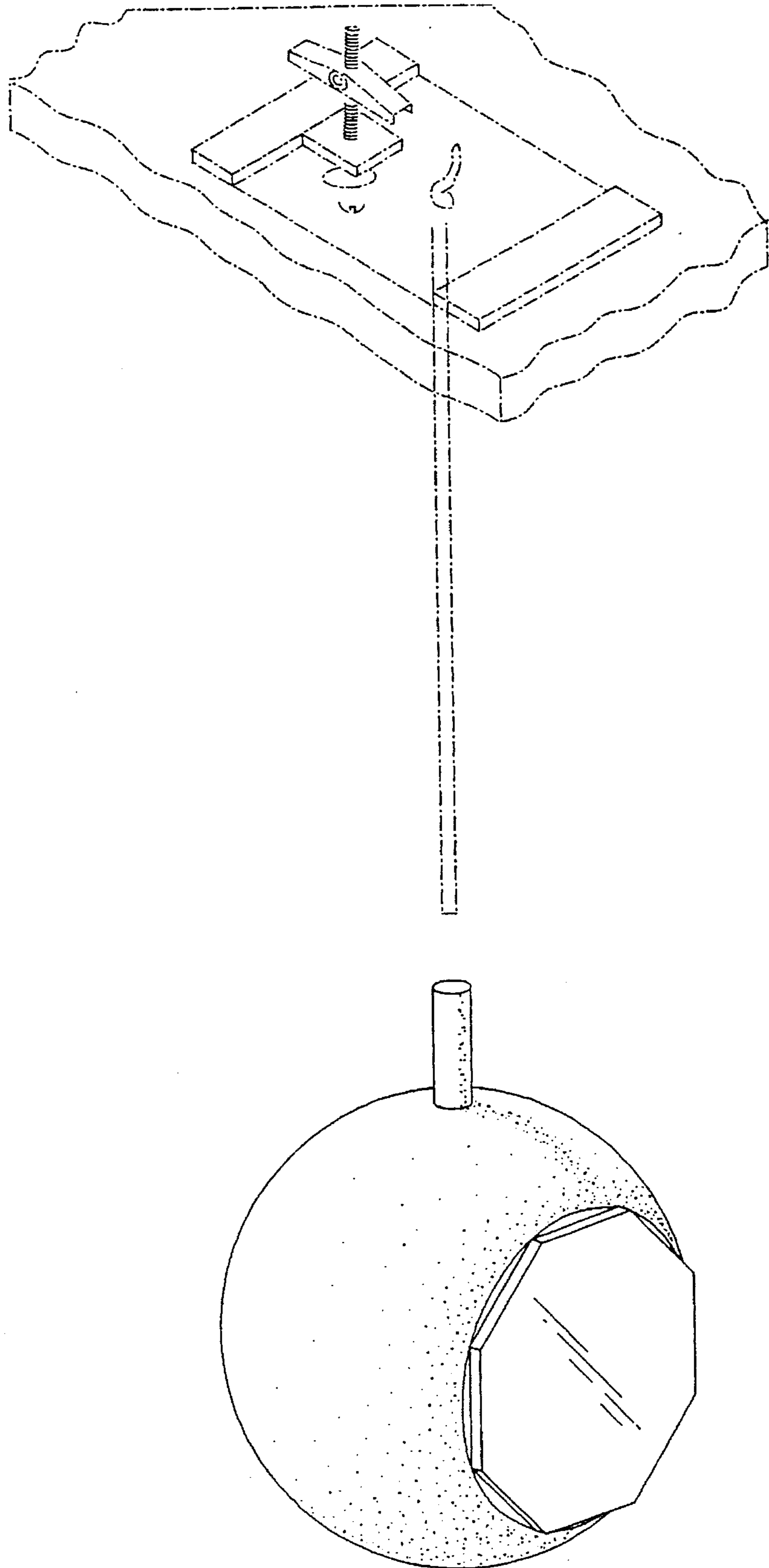


FIG-2

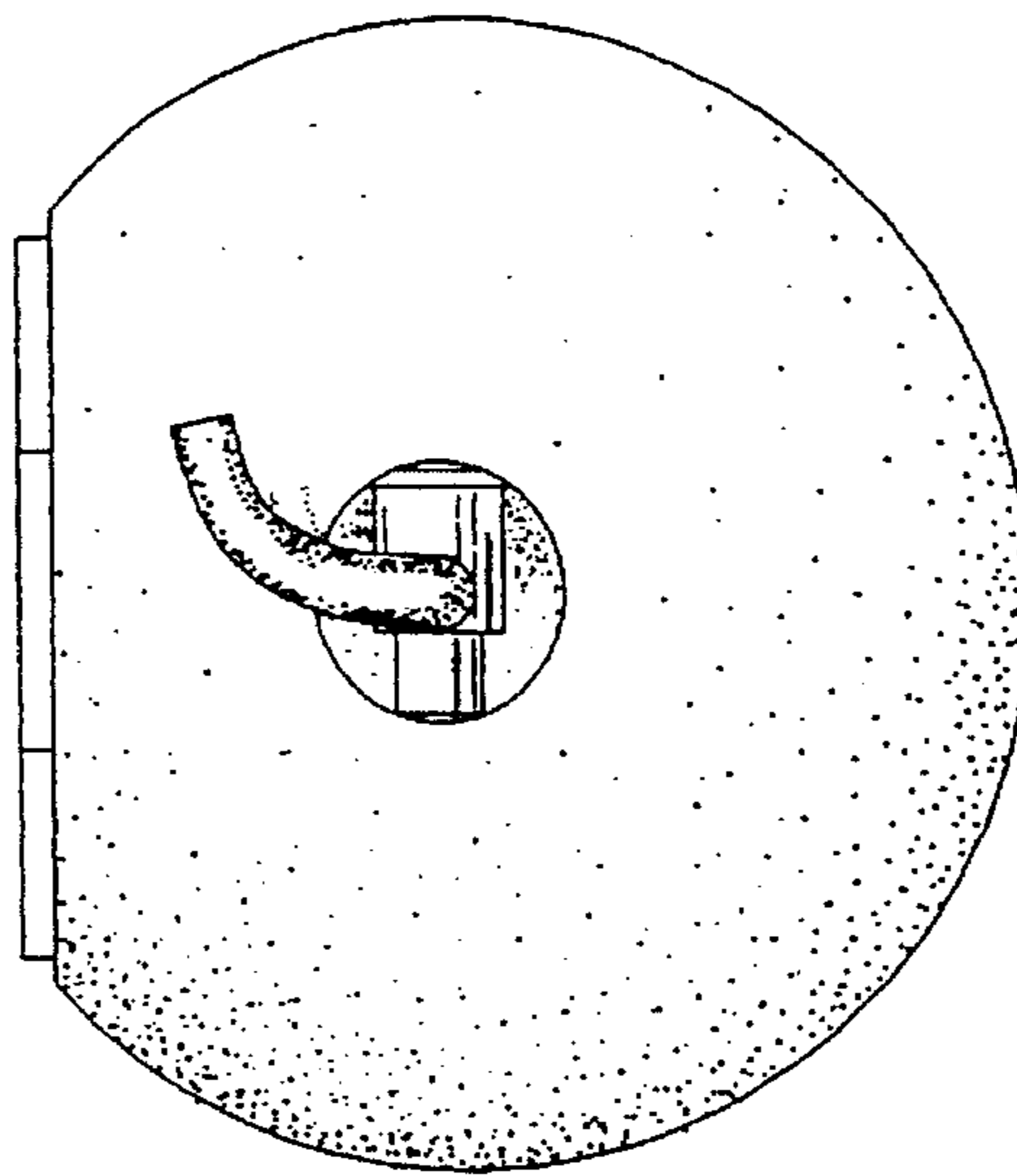


FIG-3

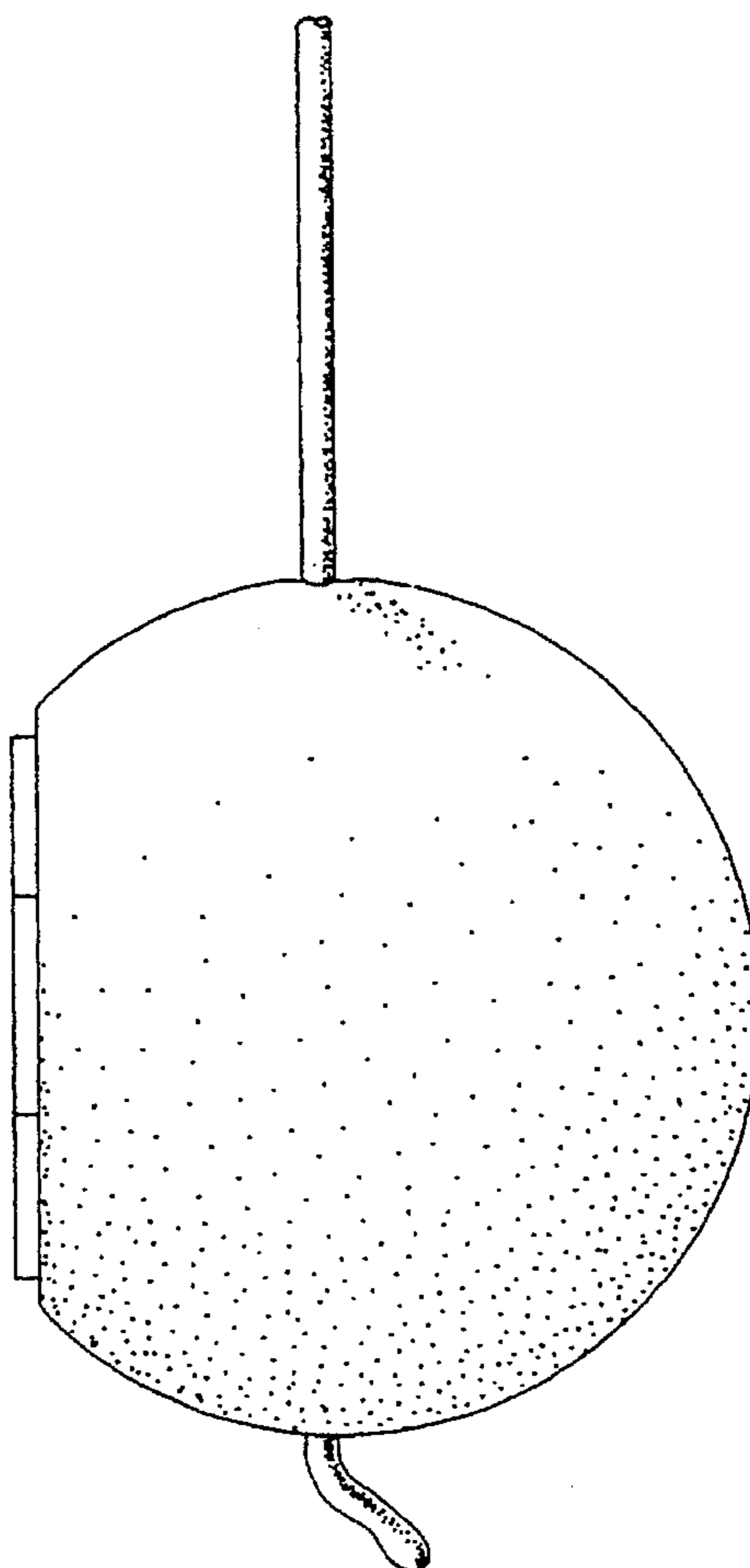


FIG-4

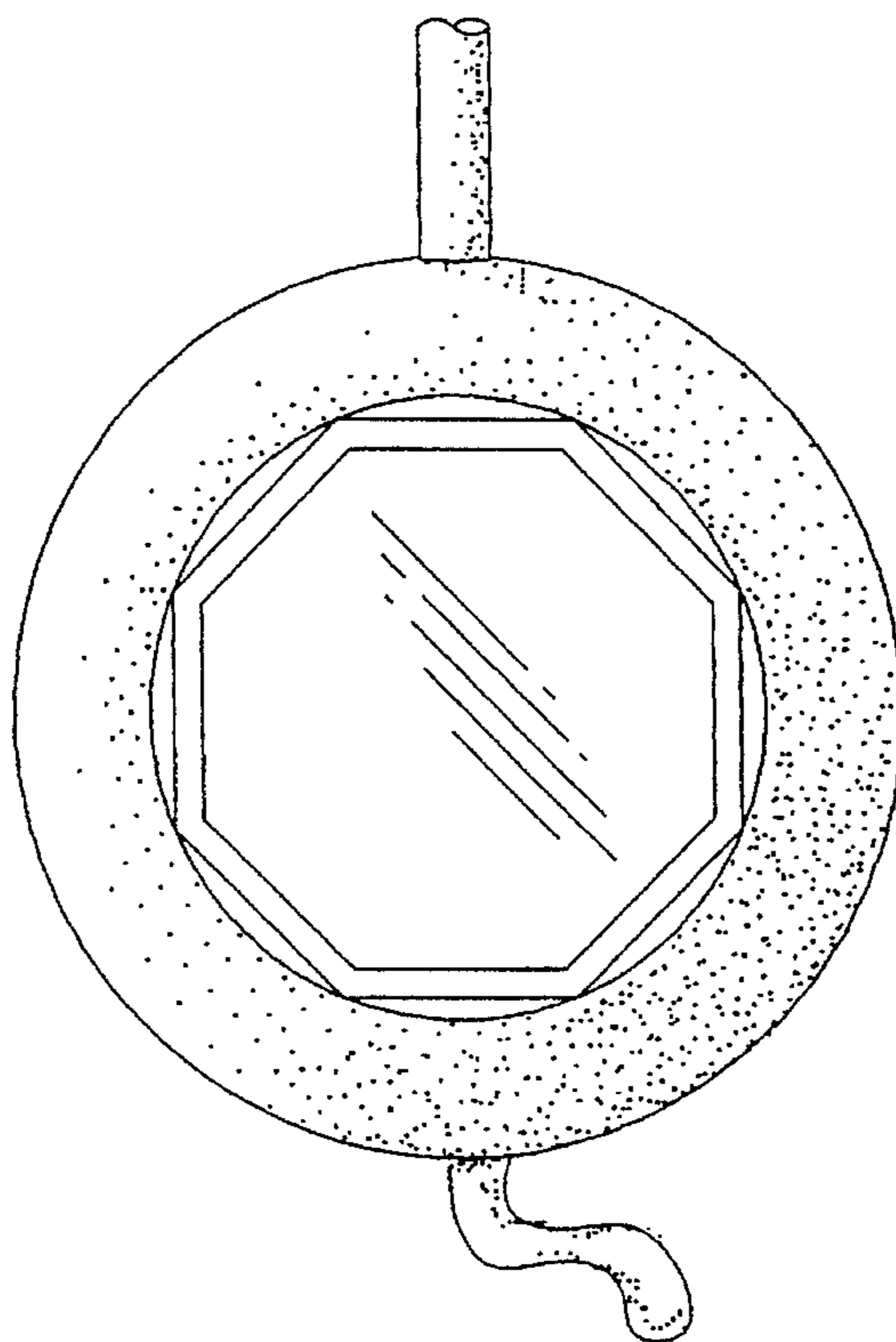
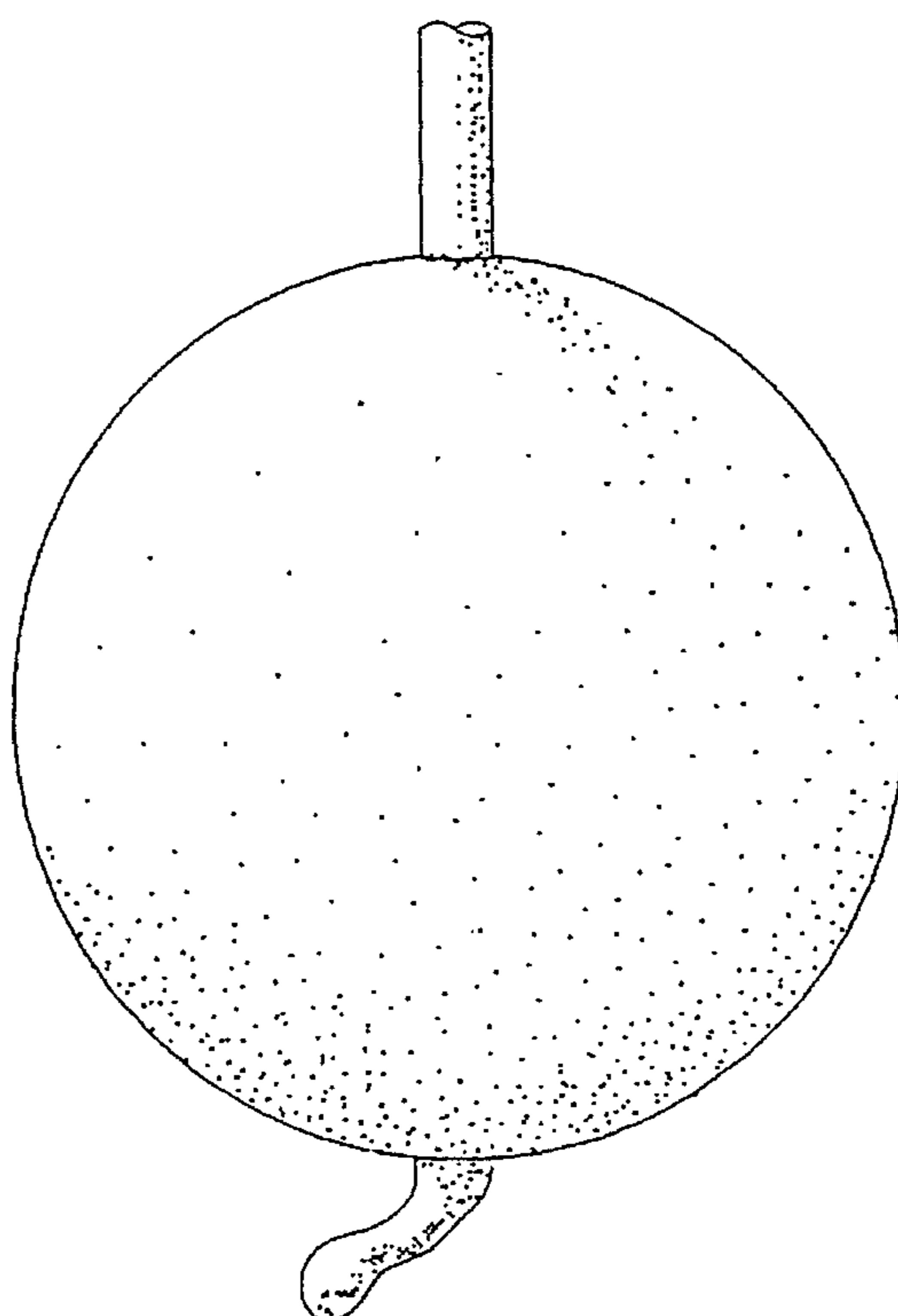


FIG-5



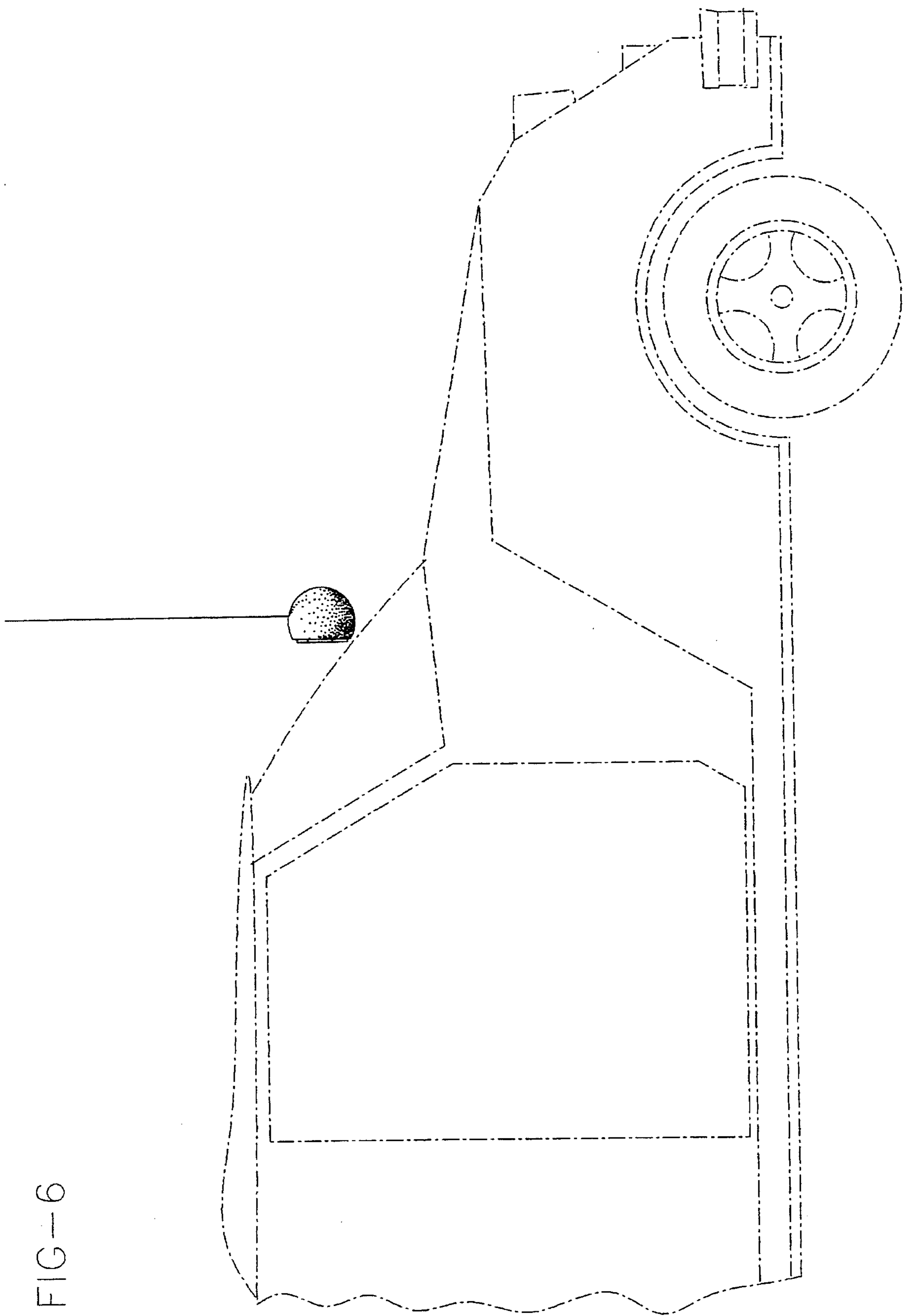


FIG-6

FIG-7

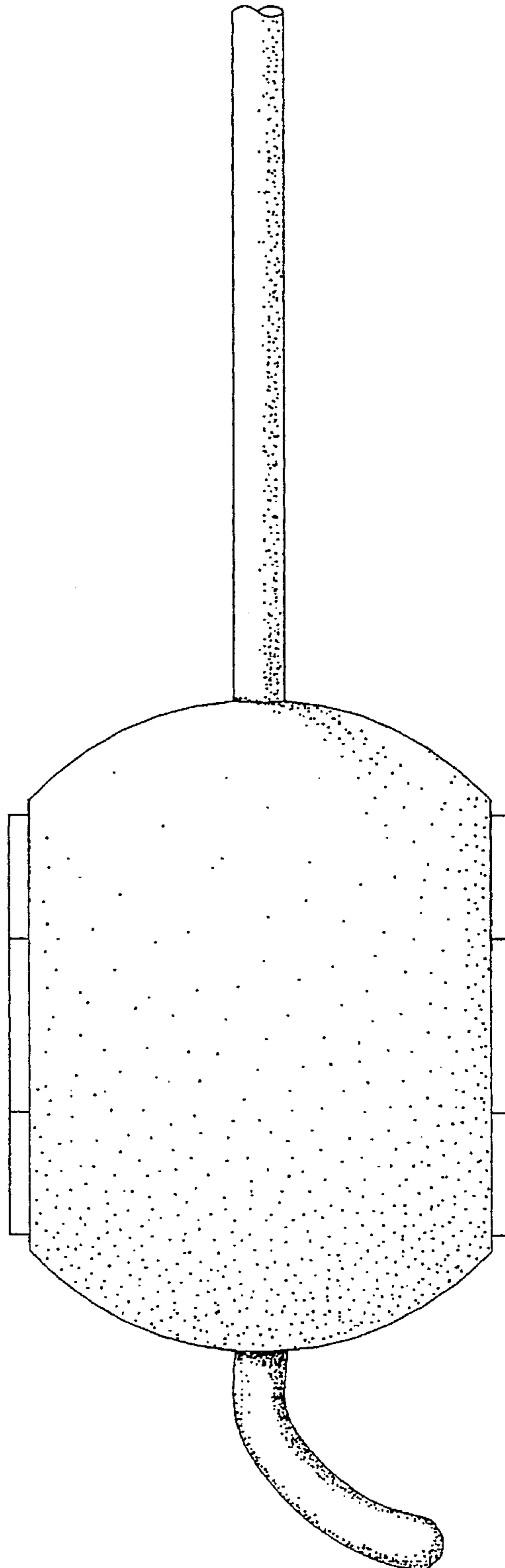


FIG-8

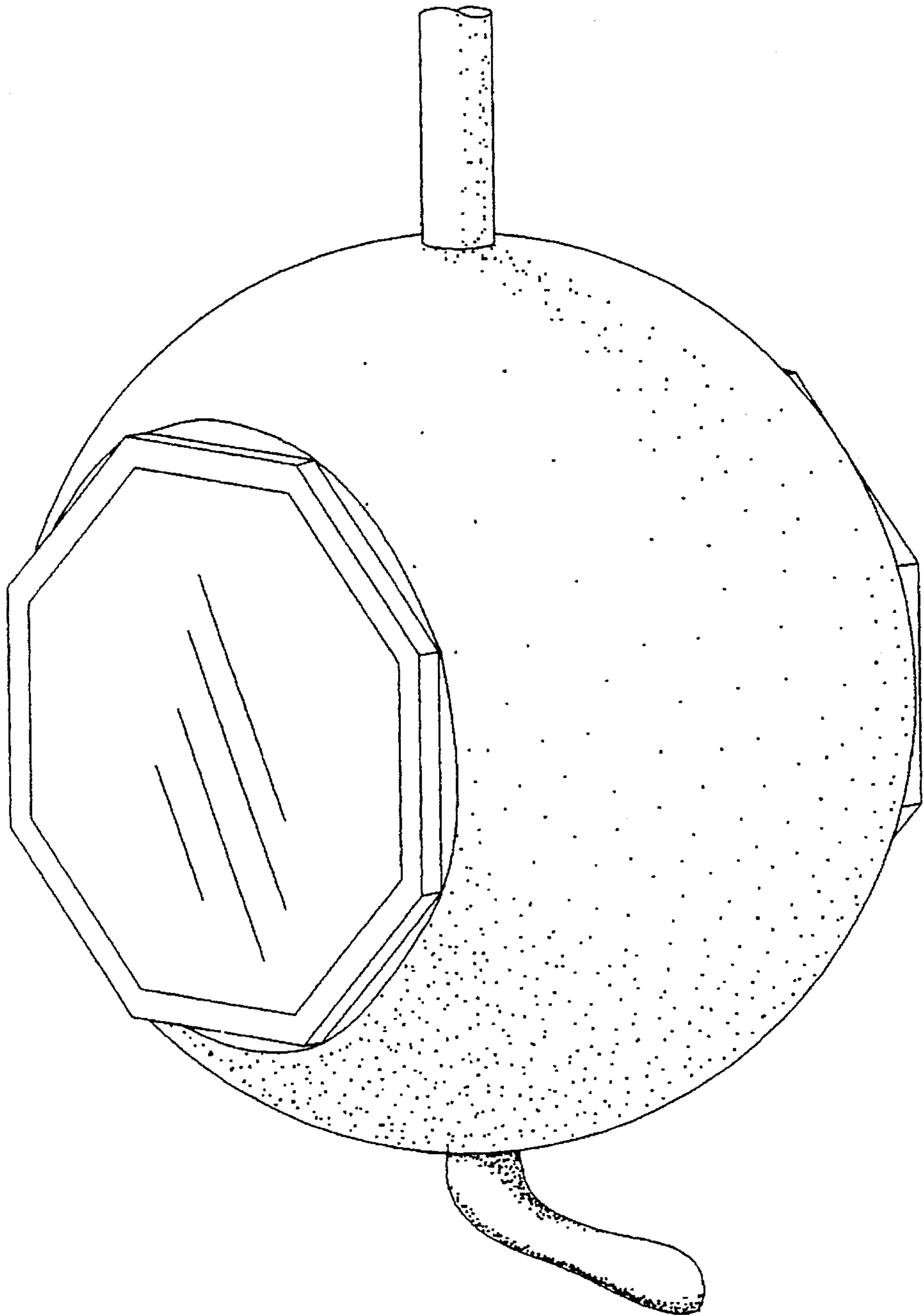


FIG-9

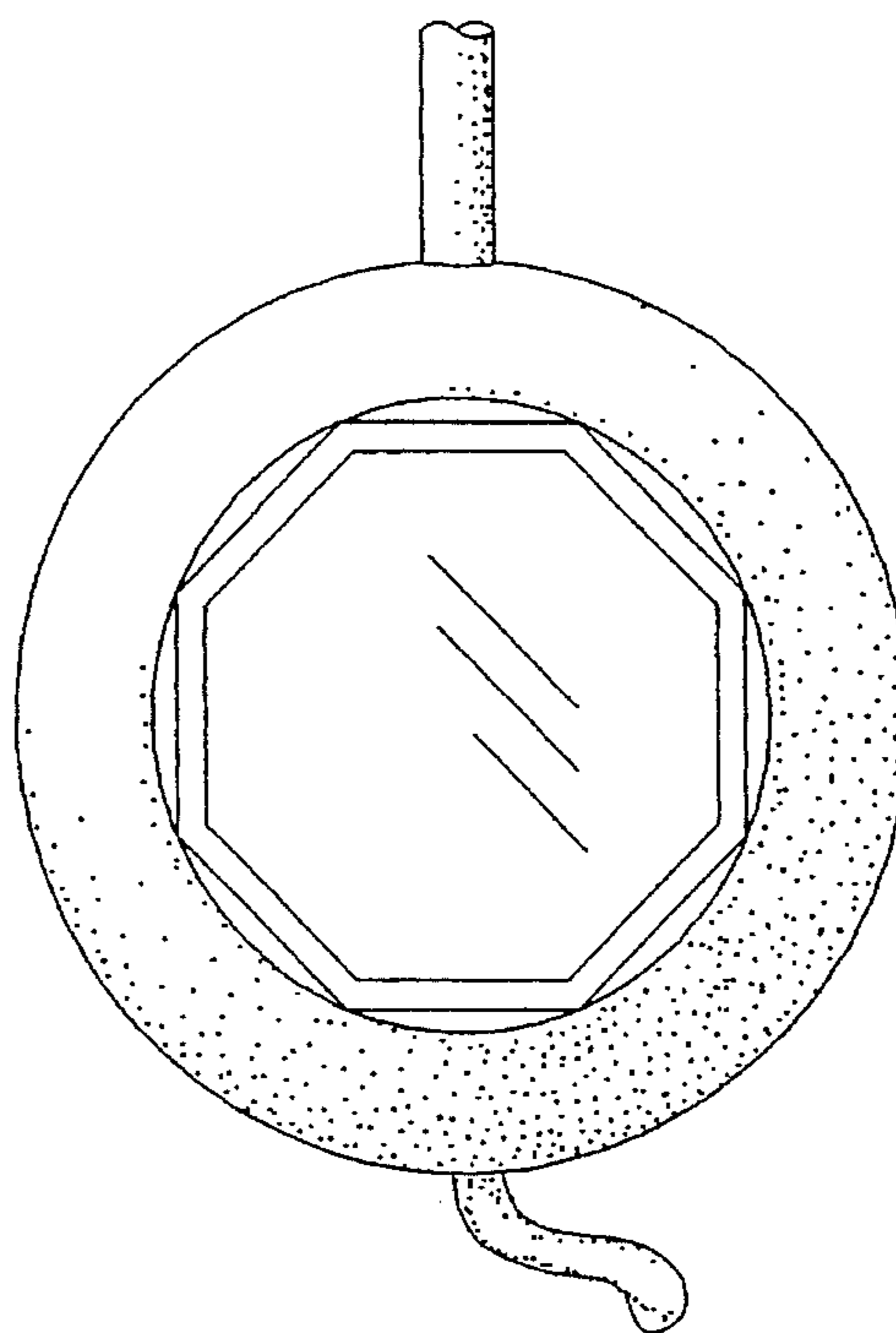


FIG-10

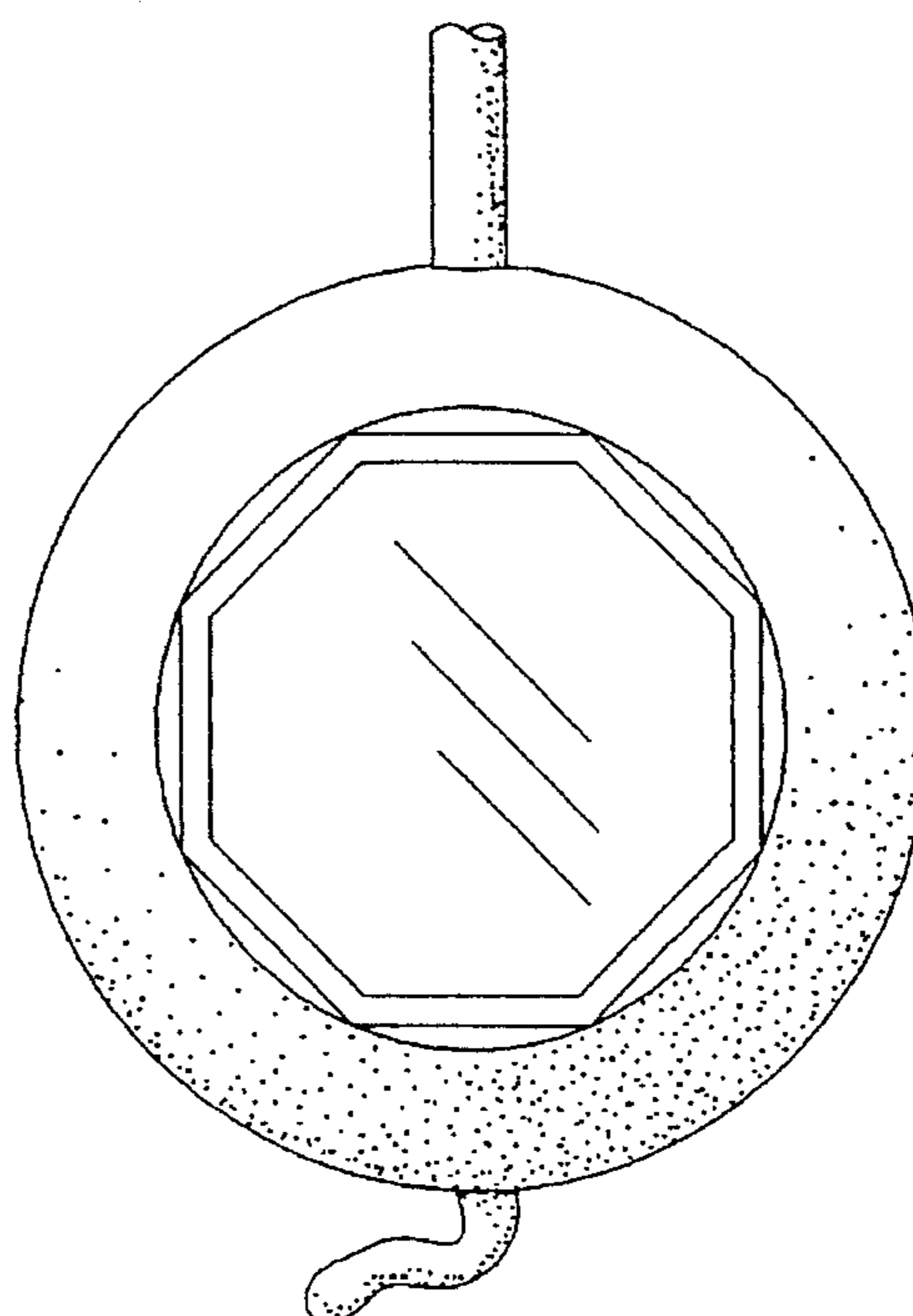


FIG-11

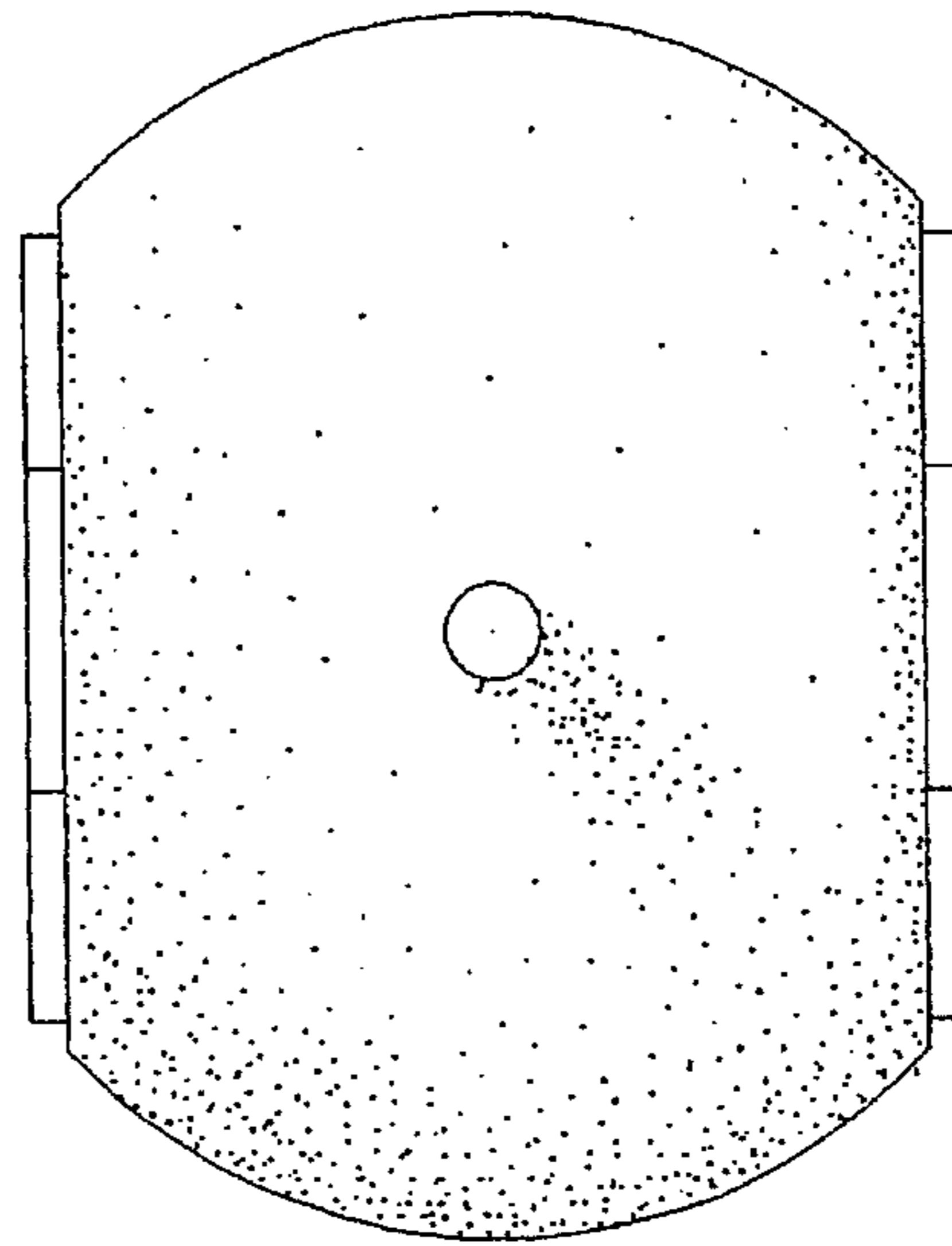


FIG-12

