



US00D373092S

United States Patent [19]

[11] Patent Number: **Des. 373,092**

Heun

[45] Date of Patent: ****Aug. 27, 1996**

[54] **ELECTRONIC SIGNALLING TRANSMITTER FOR THE RETRIEVAL OF ANIMALS**

[75] Inventor: **Ping H. Heun**, Kowloon, Hong Kong

[73] Assignee: **GSL Rechargeable Products, Ltd.**, Kowloon, Hong Kong

[**] Term: **14 Years**

[21] Appl. No.: **37,258**

[22] Filed: **Apr. 7, 1995**

[52] U.S. Cl. **D10/104**

[58] Field of Search D10/104, 106, D10/116, 121; D30/151, 152; 340/541, 548, 551, 552, 553, 555, 556, 561, 571, 572, 573

[56] References Cited

U.S. PATENT DOCUMENTS

D. 298,872	12/1988	Cassel et al.	D30/152
D. 304,309	10/1989	Vories	D10/106
D. 330,173	10/1992	Juliana et al.	D10/106
D. 330,685	11/1992	Juliana et al.	D10/106

D. 344,907 3/1994 Abrams et al. D10/106

Primary Examiner—Marcus A. Jackson
Attorney, Agent, or Firm—Longacre & White

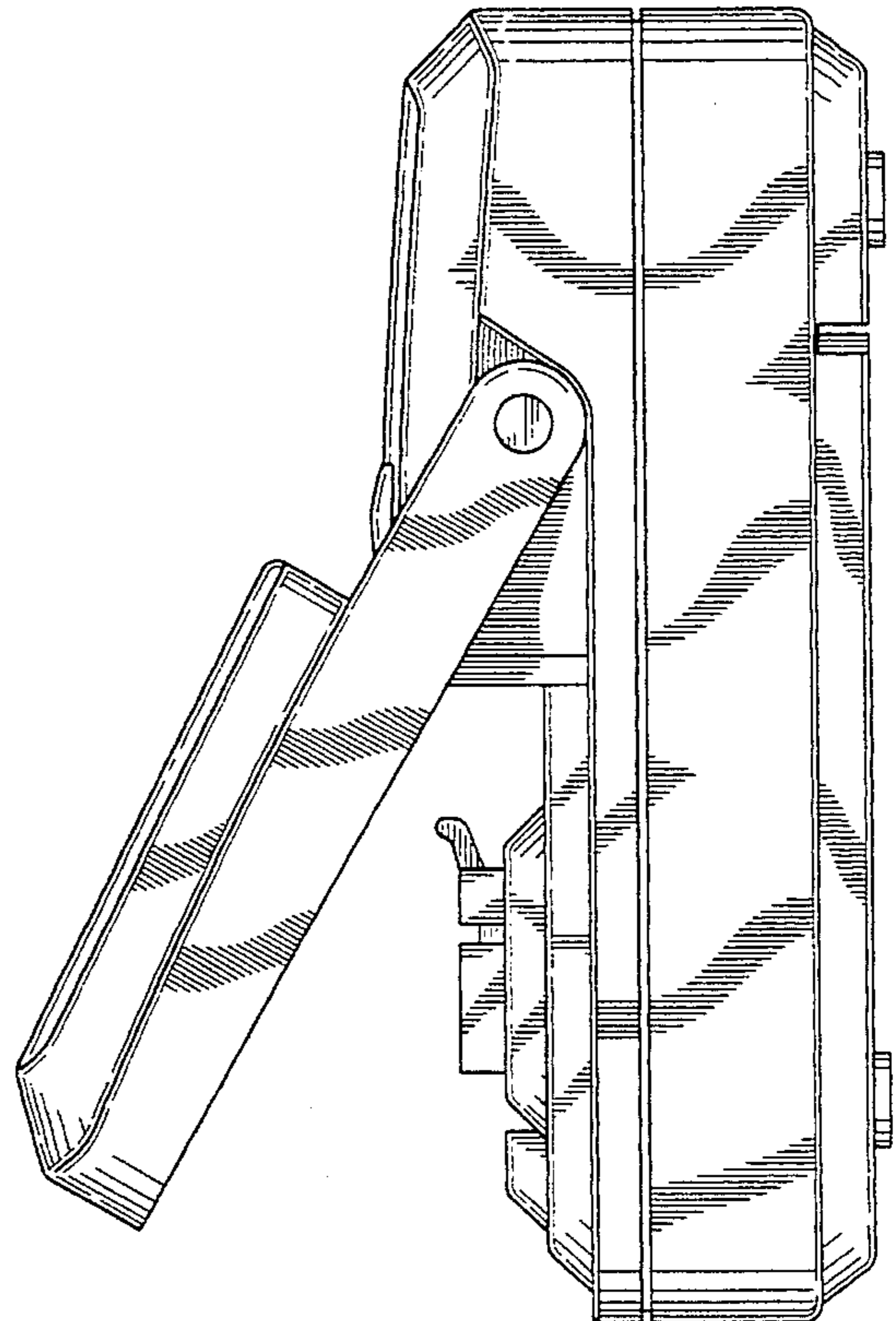
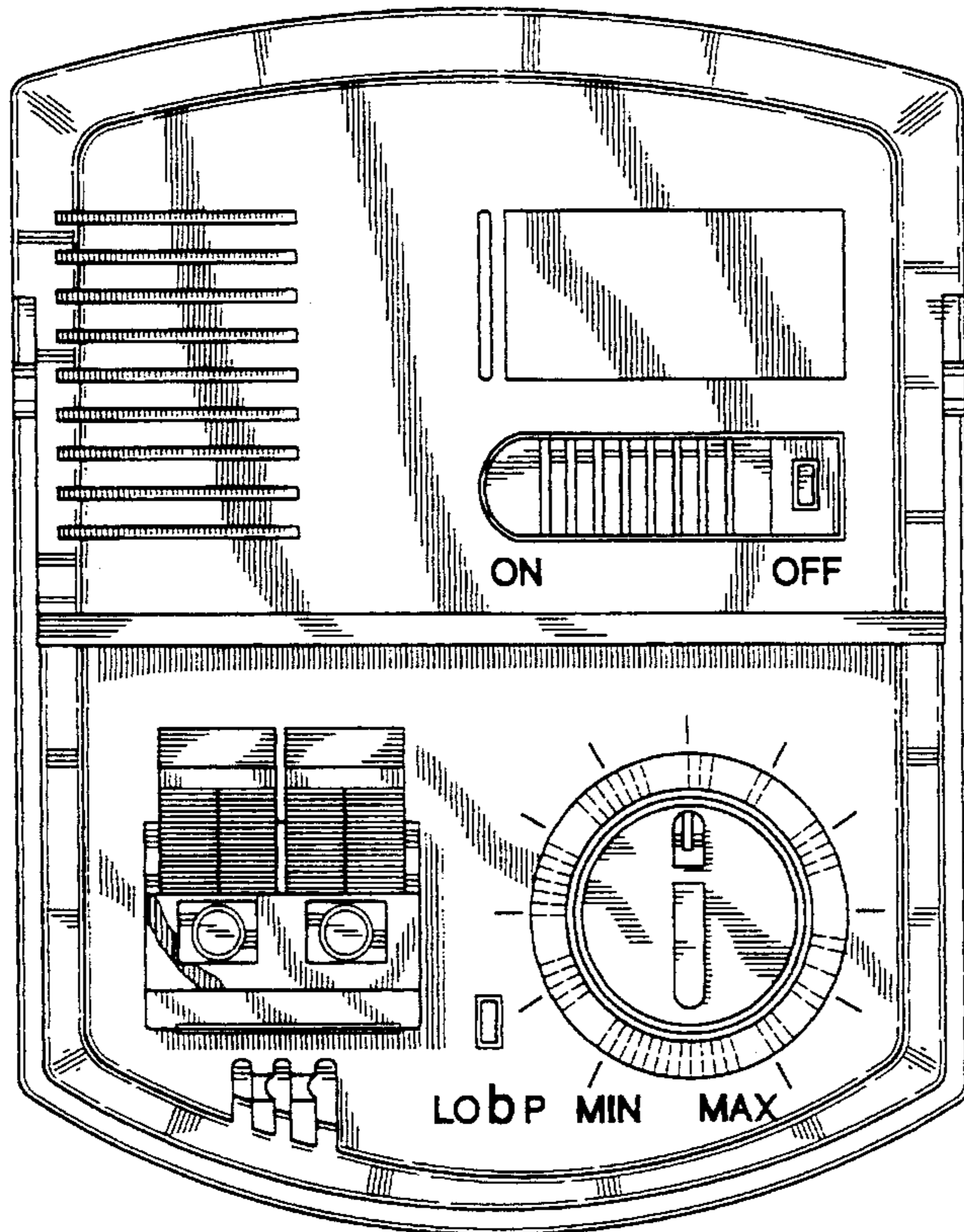
[57] CLAIM

The ornamental design for an electronic signalling transmitter for the retrieval of animals, as shown and described.

DESCRIPTION

FIG. 1 is a front view of the electronic signalling transmitter for the retrieval of animals showing my new design; FIG. 2 is a back view of the electronic signalling transmitter for the retrieval of animals shown in FIG. 1; FIG. 3 is a right-side view of the electronic signalling transmitter for the retrieval of animals shown in FIG. 1, with the lid portion shown in open condition; FIG. 4 is a left-side view of the electronic signalling transmitter for the retrieval of animals shown in FIG. 1; FIG. 5 is a bottom view of the electronic signalling transmitter for the retrieval of animals shown in FIG. 1; and, FIG. 6 is a top view of the electronic signalling transmitter for the retrieval of animals shown in FIG. 1.

1 Claim, 3 Drawing Sheets



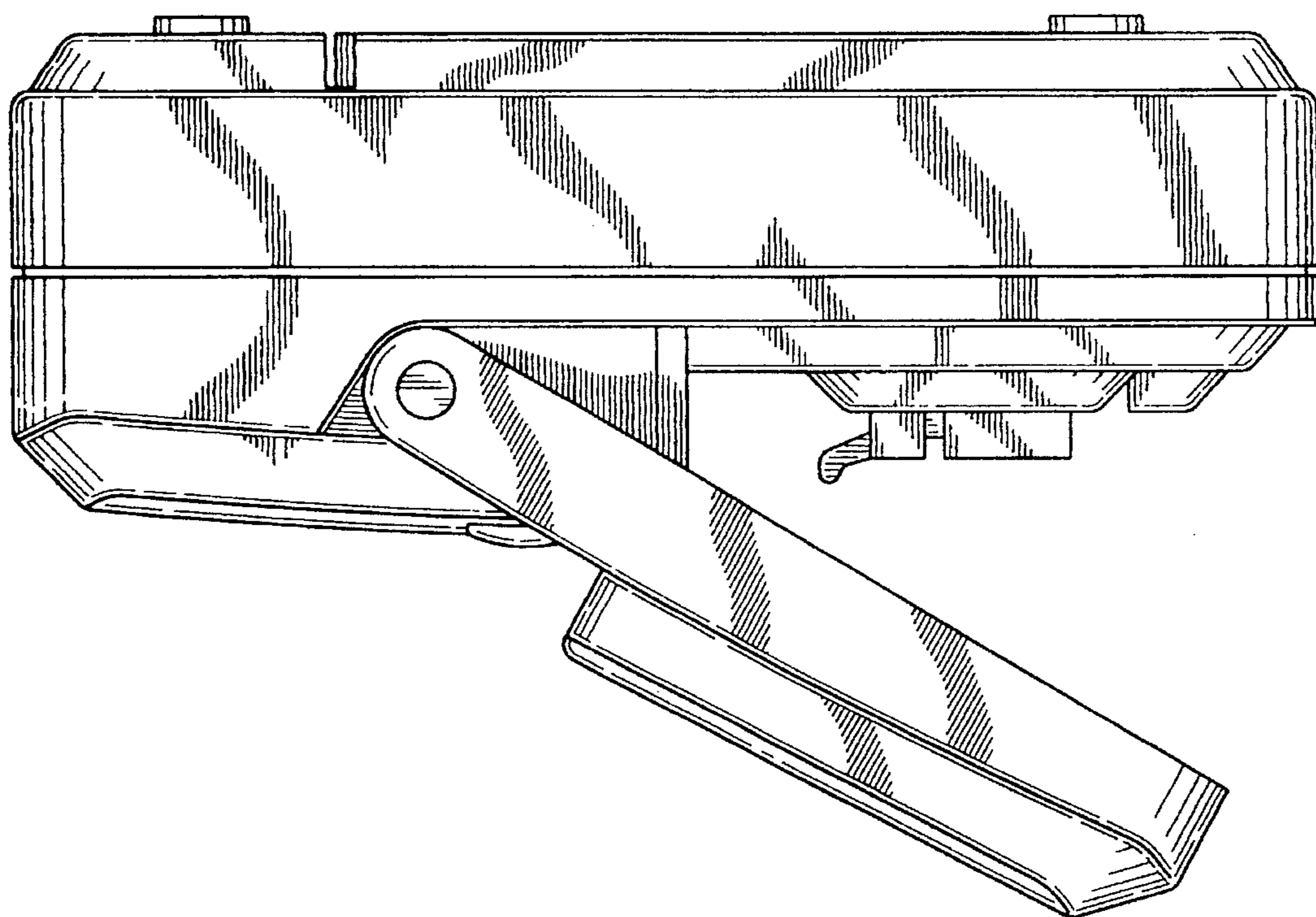


FIG. 3

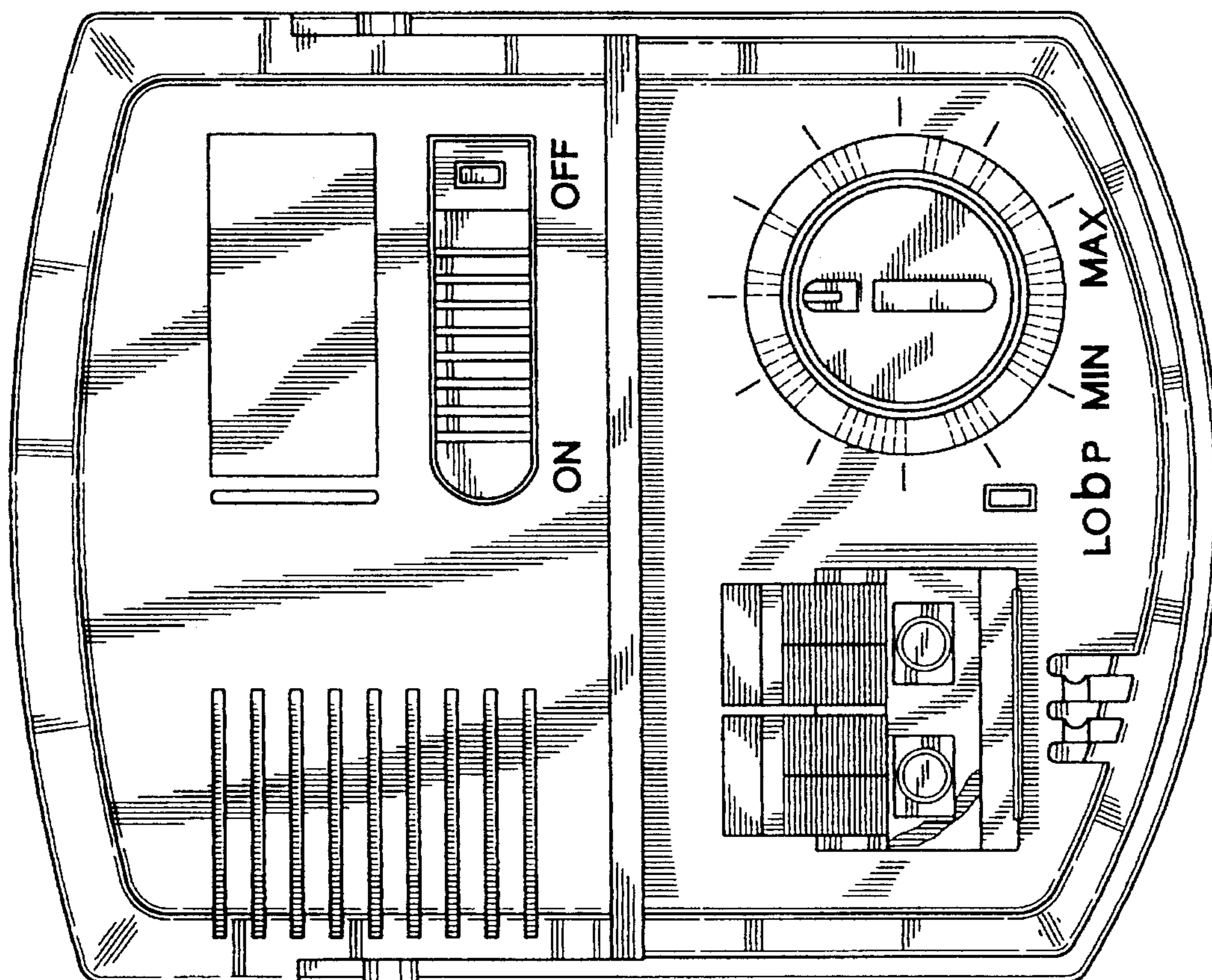


FIG. 1

FIG. 4

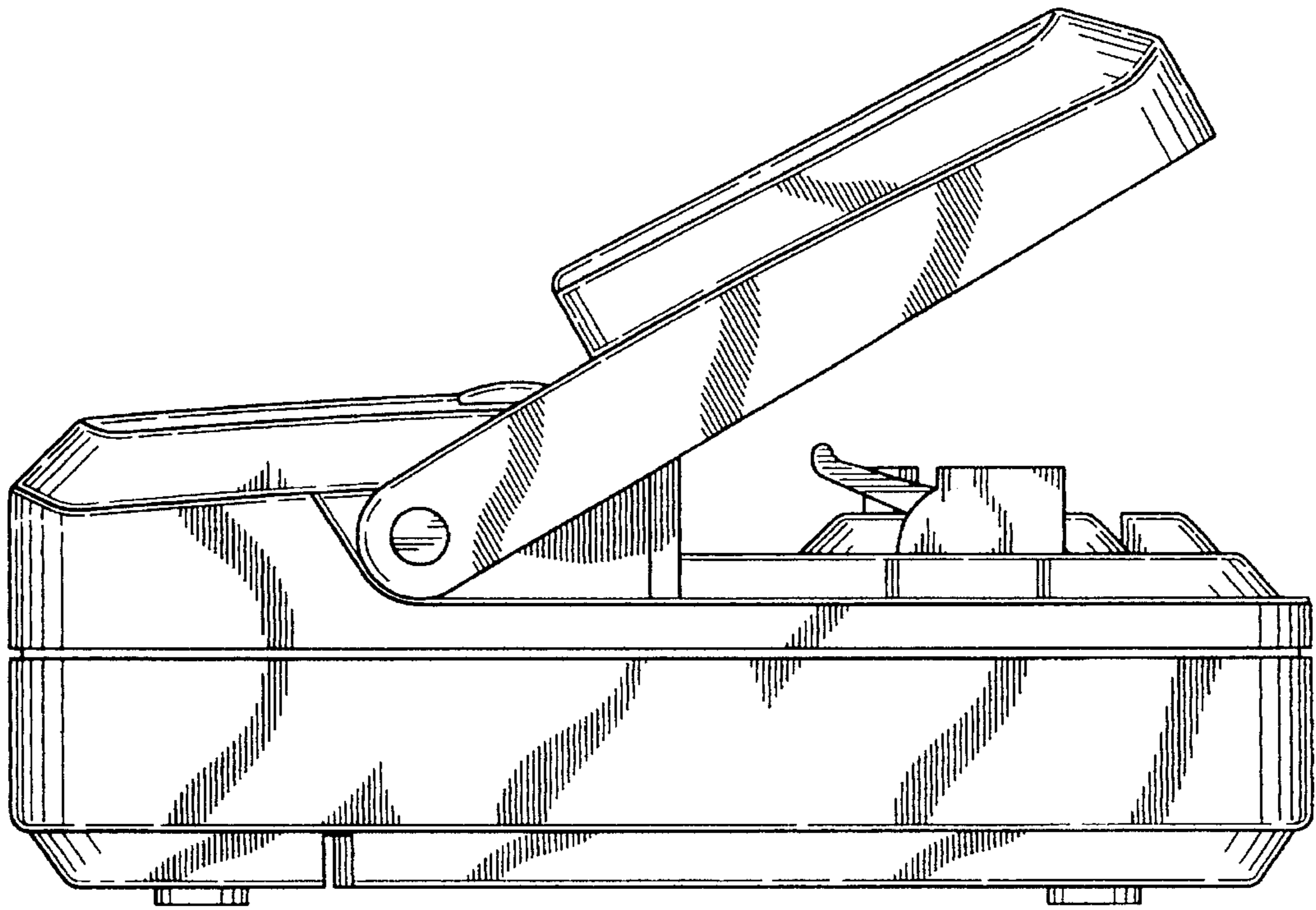
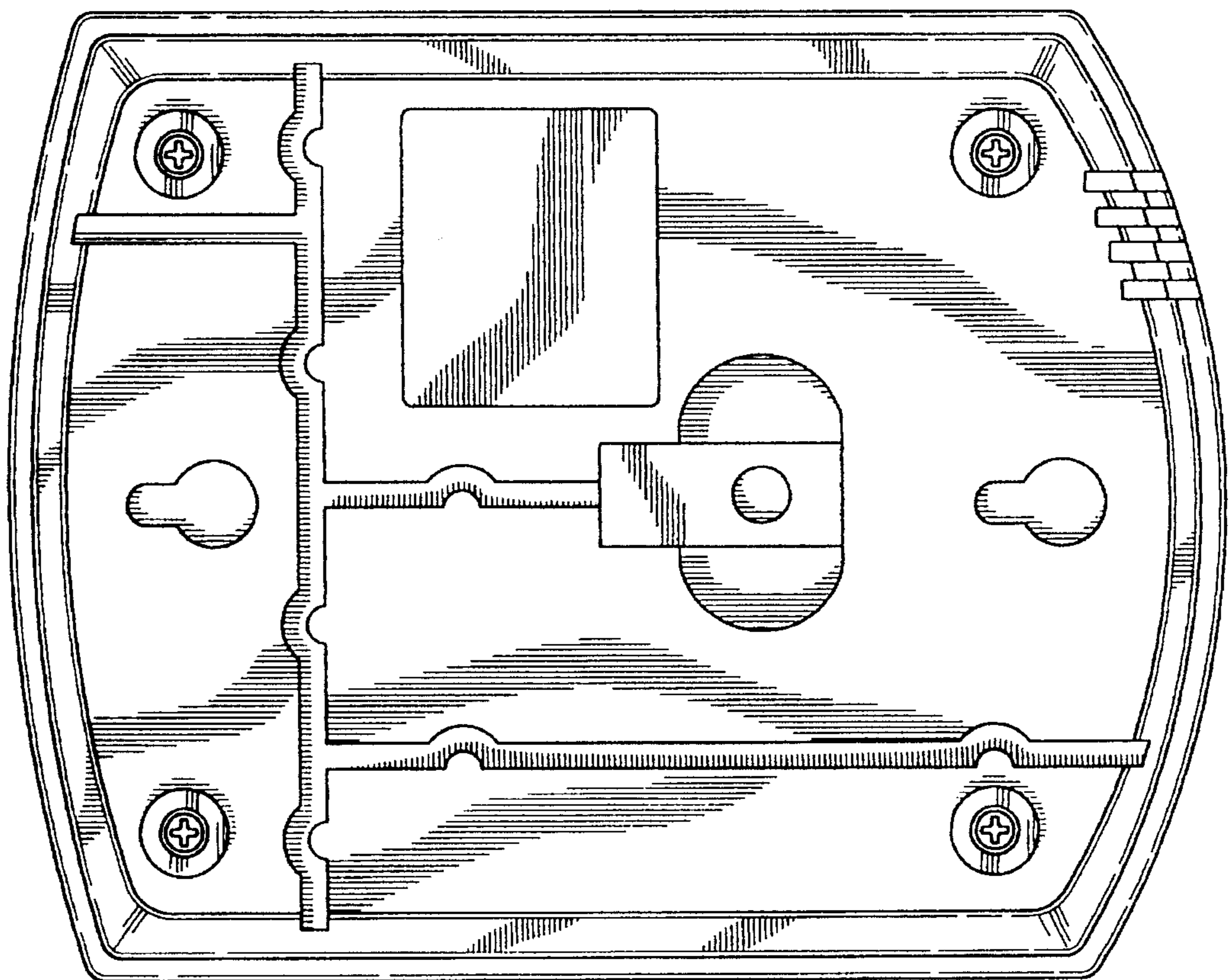


FIG. 2



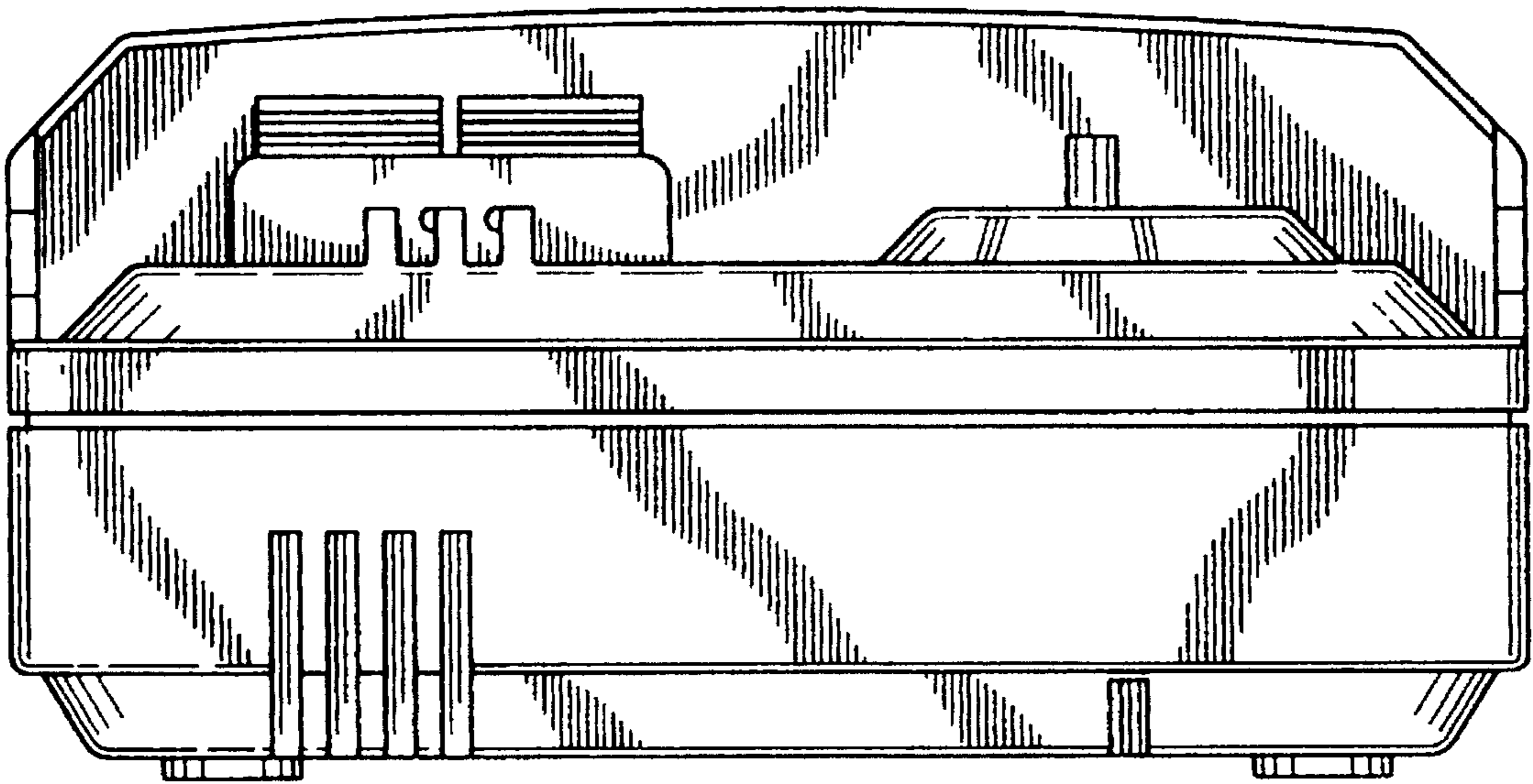


FIG. 5

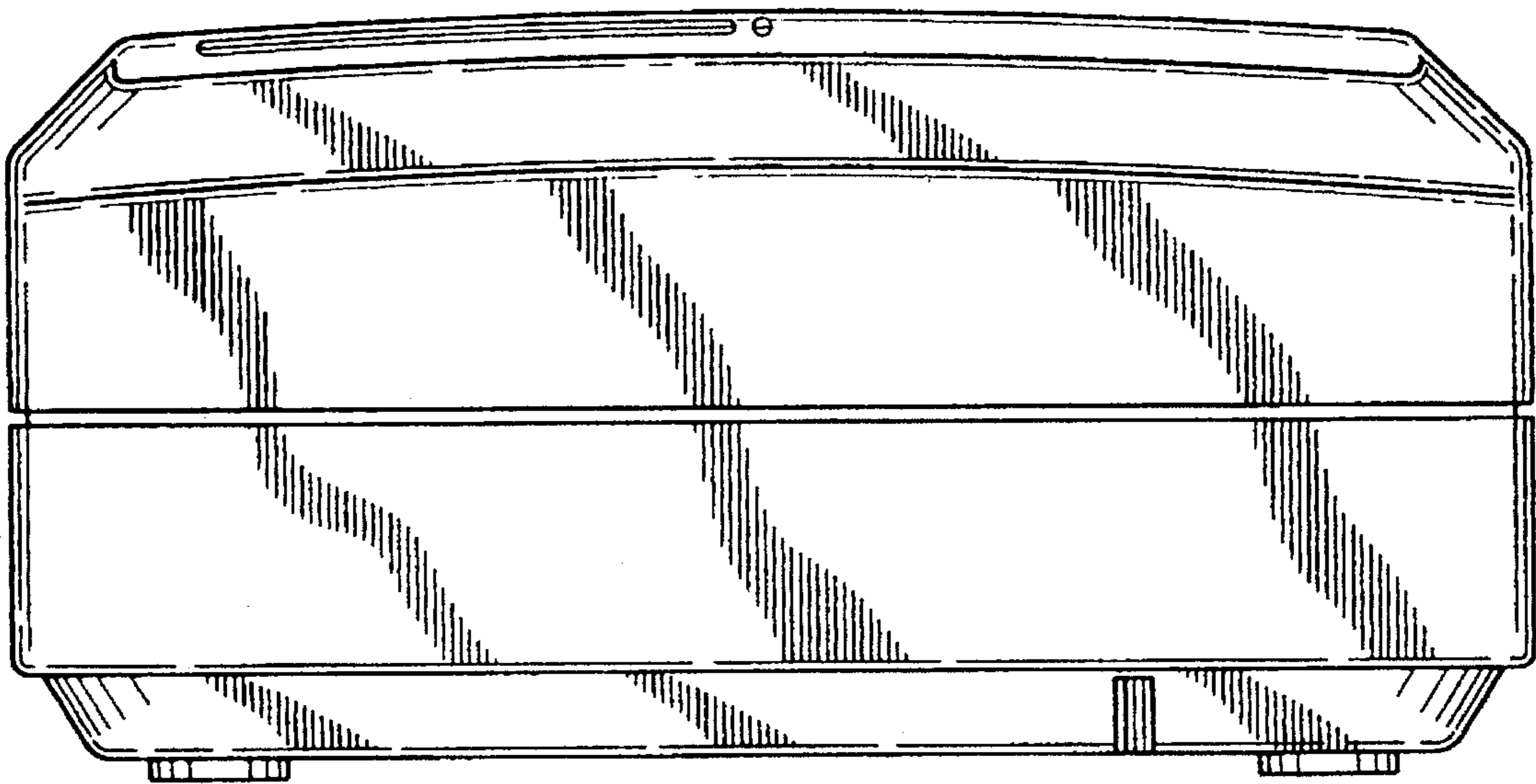


FIG. 6